

US00D675942S

(12) **United States Design Patent**
Giannini

(10) **Patent No.:** **US D675,942 S**

(45) **Date of Patent:** **** Feb. 12, 2013**

(54) **WATCH**

(75) **Inventor:** **Frida Giannini**, Florence (IT)

(73) **Assignee:** **Luxury Timepieces International SA**,
Cortailod (CH)

(**) **Term:** **14 Years**

(21) **Appl. No.:** **29/427,802**

(22) **Filed:** **Jul. 23, 2012**

(30) **Foreign Application Priority Data**

Feb. 20, 2012 (CH) 138629

(51) **LOC (9) Cl.** **10-02**

(52) **U.S. Cl.** **D10/33; D10/39**

(58) **Field of Classification Search** D10/30-39,
D10/122-132; 368/276, 281, 282, 285, 294,
368/295

See application file for complete search history.

(56) **References Cited**

U.S. PATENT DOCUMENTS

1,232,825	A *	7/1917	Megurowsky	24/265	WS
4,935,910	A *	6/1990	Akasaka et al.	368/282	
5,398,218	A *	3/1995	Munnier et al.	368/282	
D389,749	S *	1/1998	Toribio	D10/30	
D390,128	S *	2/1998	Toribio	D10/32	

D390,131	S *	2/1998	Brezinski	D10/32	
D390,148	S *	2/1998	Brzezinski	D10/30	
D424,951	S *	5/2000	Inui et al.	D10/30	
D497,111	S *	10/2004	Modolo	D10/32	
D510,037	S *	9/2005	Modolo	D10/32	
D510,282	S *	10/2005	Modolo	D10/32	
D518,741	S *	4/2006	Modolo	D10/32	
D533,467	S *	12/2006	Modolo	D10/31	
D543,123	S *	5/2007	Min	D10/38	
D575,167	S *	8/2008	Giannini	D10/32	
D628,911	S *	12/2010	Giannini	D10/32	
D629,311	S *	12/2010	Giannini	D10/31	
D629,703	S *	12/2010	Giannini	D10/32	

* cited by examiner

Primary Examiner — Lucy Lieberman

(74) *Attorney, Agent, or Firm* — Sughrue Mion, PLLC

(57) **CLAIM**

The ornamental design for a watch, as shown and described.

DESCRIPTION

FIG. 1 is a front and right side perspective view of a watch showing my new design;

FIG. 2 is a front elevational view thereof;

FIG. 3 is a rear elevational view thereof;

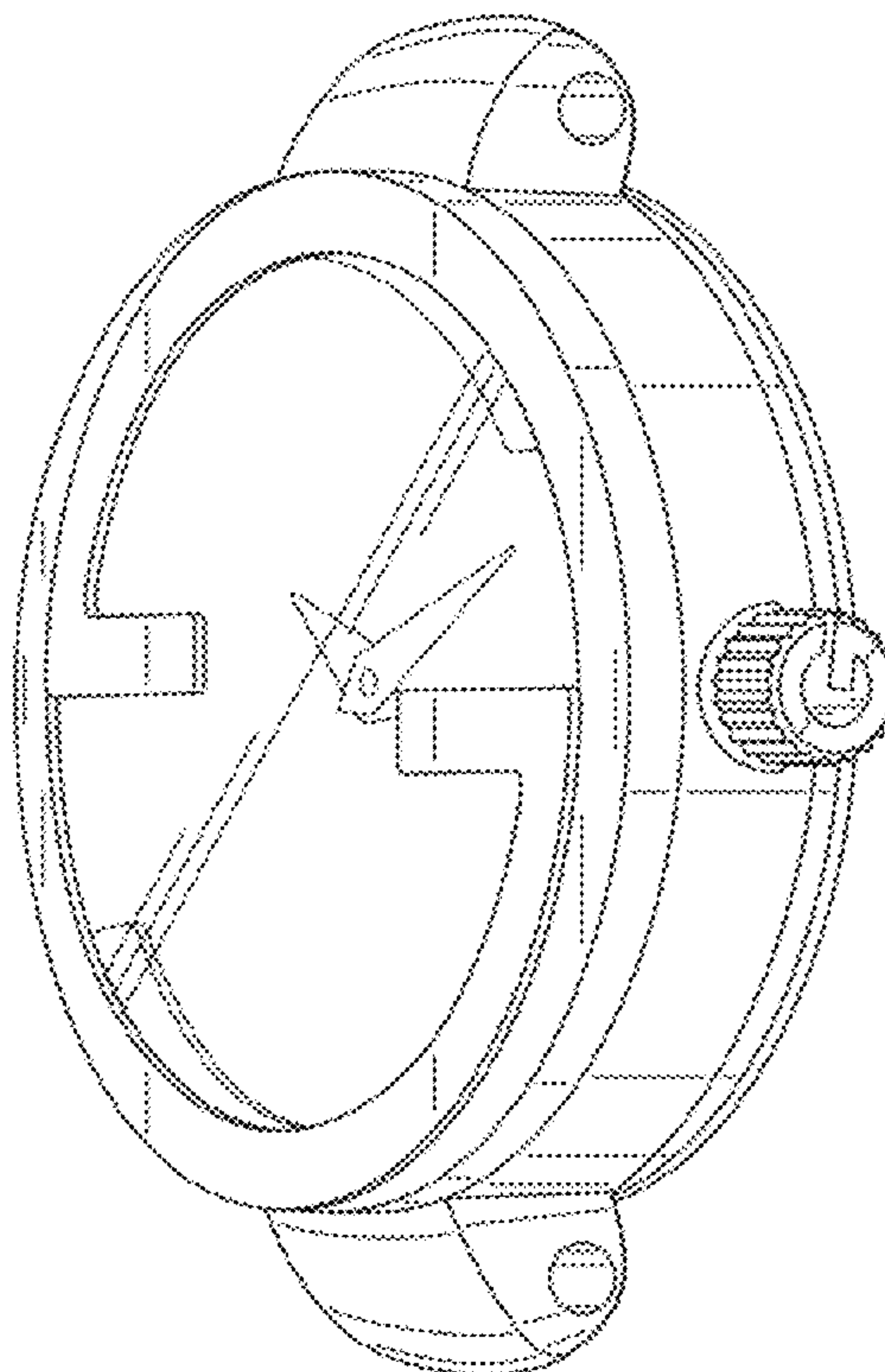
FIG. 4 is a left side elevational view thereof;

FIG. 5 is a right side elevational view thereof;

FIG. 6 is a top plan view thereof; and,

FIG. 7 is a bottom plan view.

1 Claim, 7 Drawing Sheets



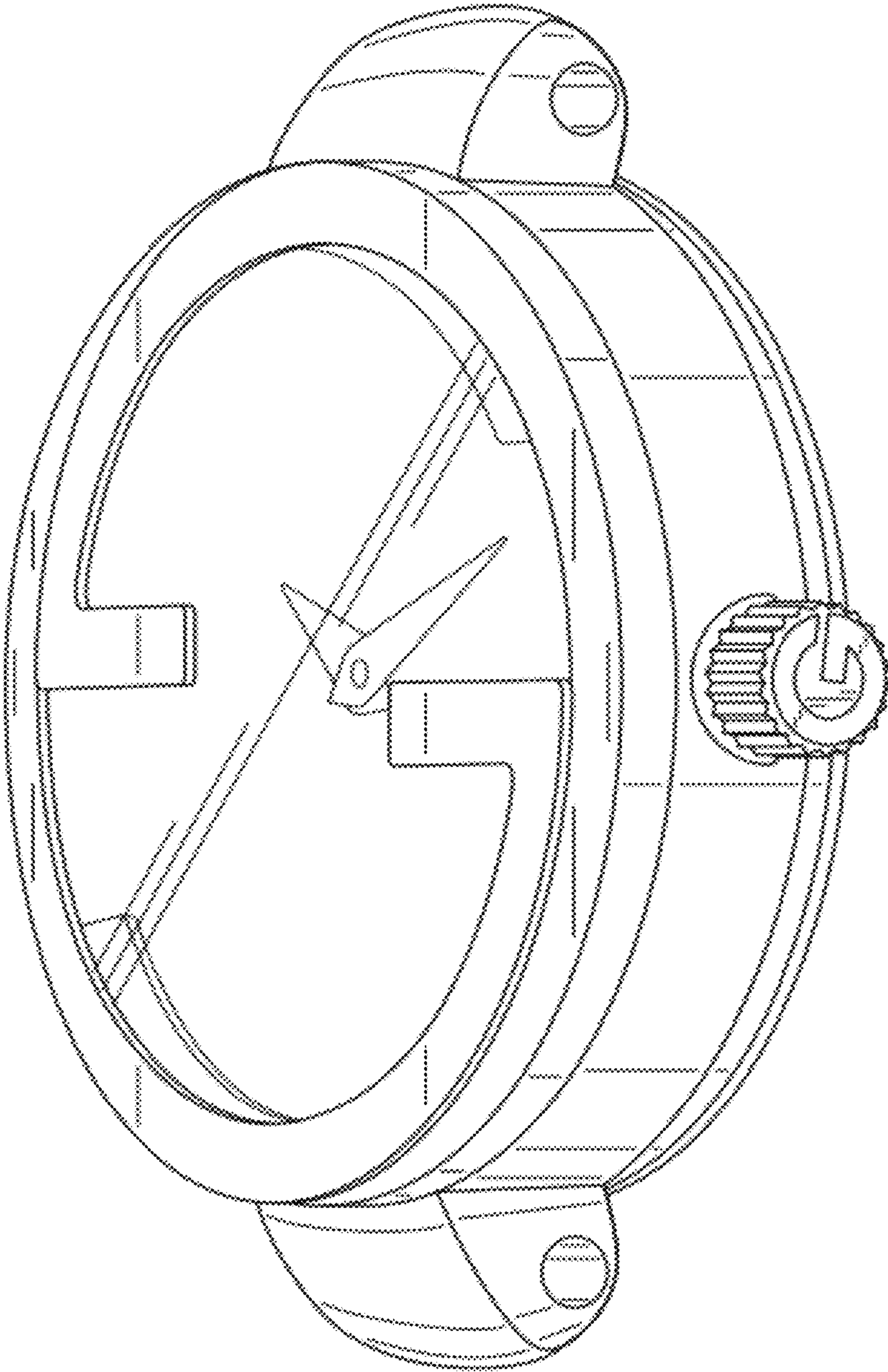


FIG. 1

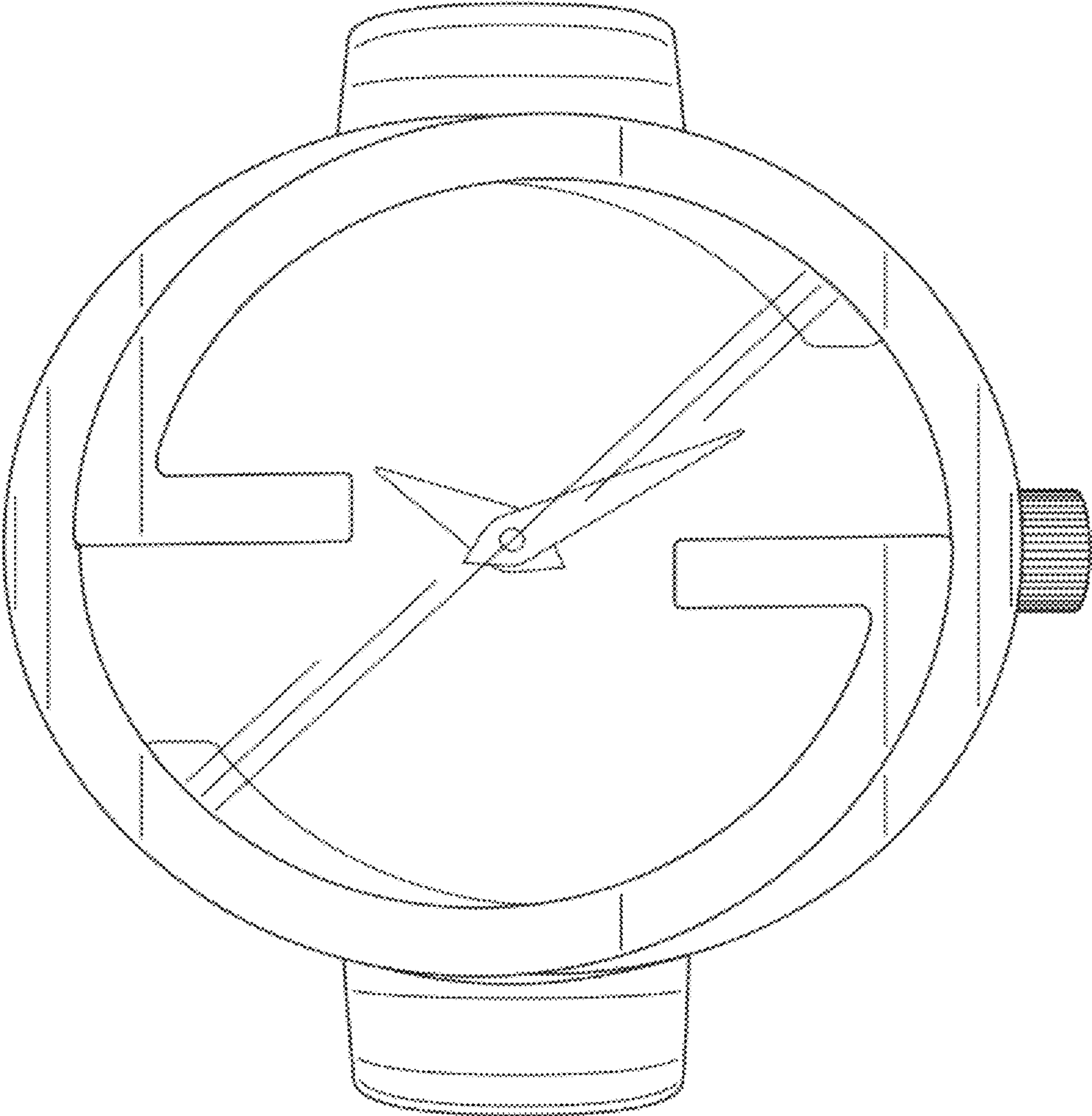


FIG. 2

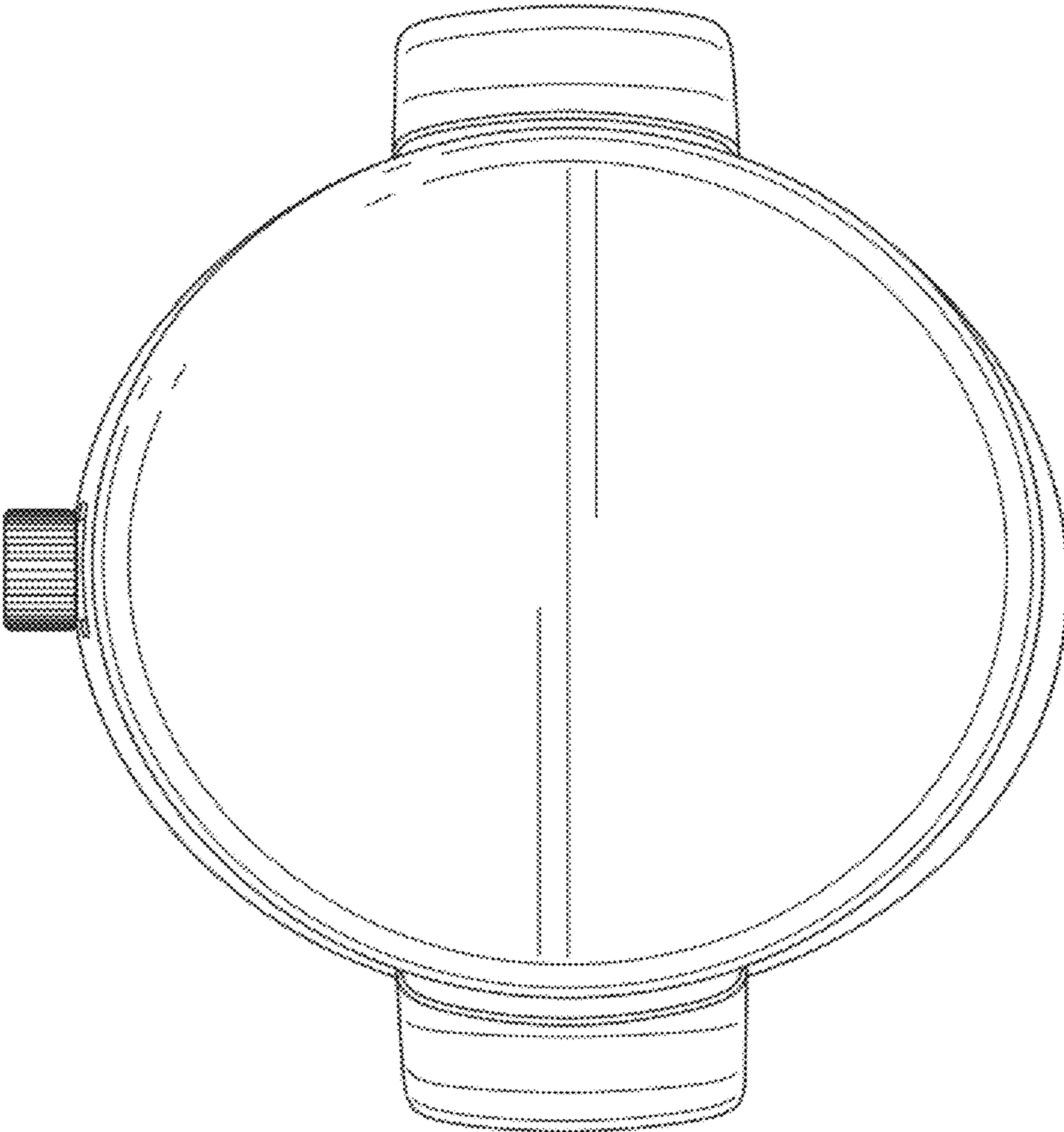


FIG. 3

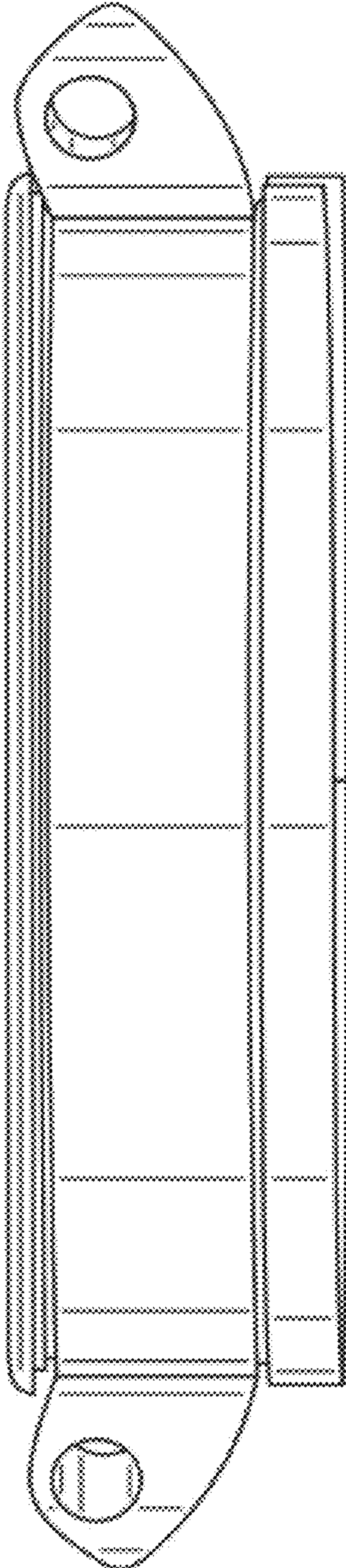


FIG. 4

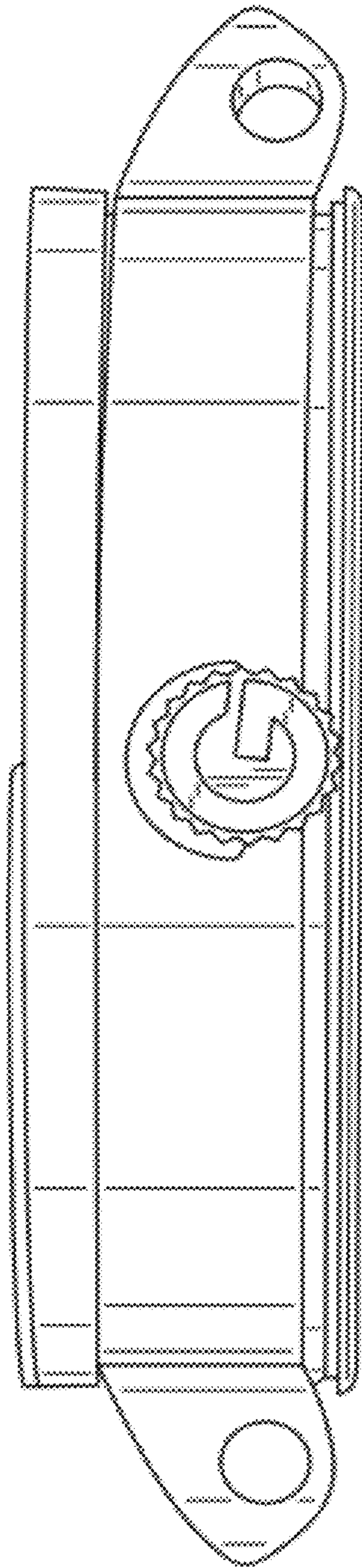


FIG. 5

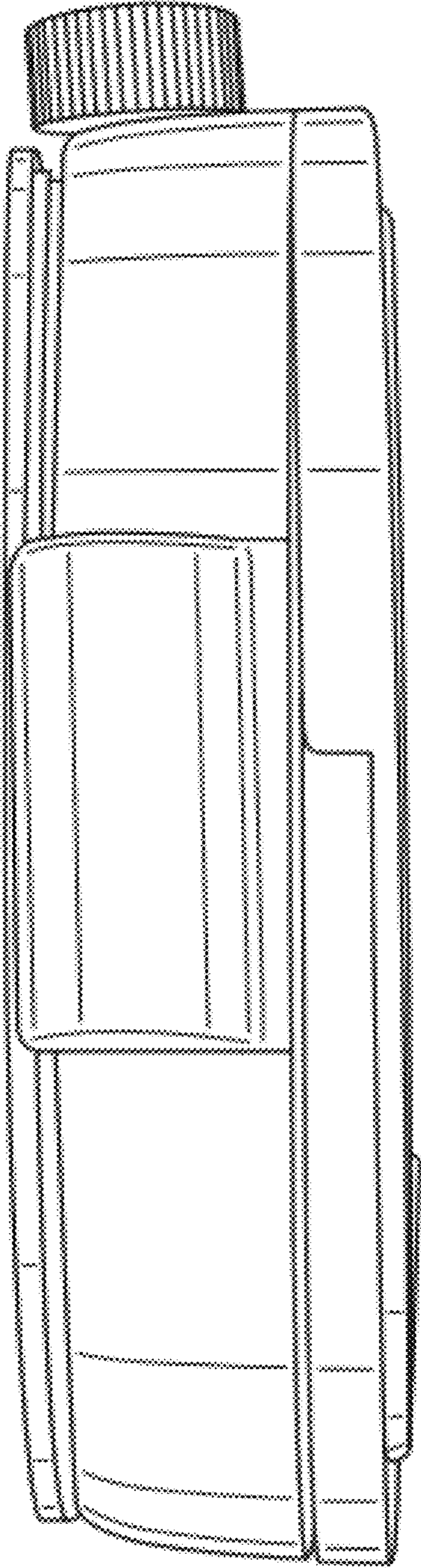


FIG. 6

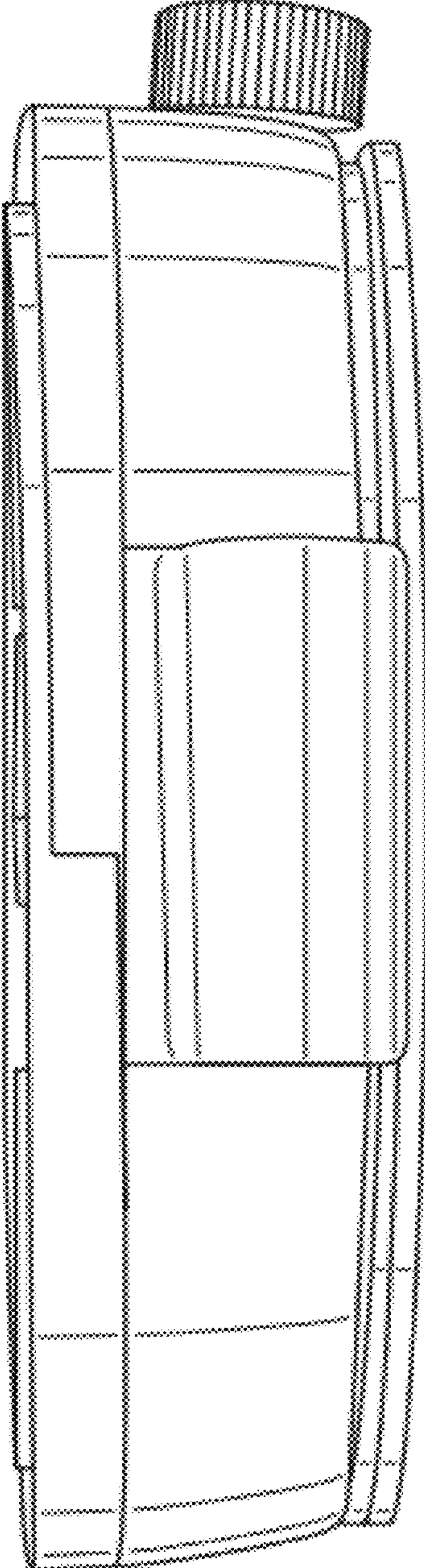


FIG. 7