



US00D675938S

(12) **United States Design Patent**  
**Giannini et al.**

(10) **Patent No.:** **US D675,938 S**

(45) **Date of Patent:** **\*\* Feb. 12, 2013**

(54) **SEMICIRCULAR CIGAR BOX CONTAINING TAPERED CIGARS**

(75) Inventors: **Michael P. Giannini**, Henrico County, VA (US); **Yuri Guillen**, Santiago (DO); **Ricky R. Rodriguez**, Hillsborough County, FL (US)

(73) Assignee: **General Cigar Company, Inc.**, Glen Allen, VA (US)

(\*\*) Term: **14 Years**

(21) Appl. No.: **29/374,245**

(22) Filed: **Jul. 18, 2011**

(51) **LOC (9) Cl.** ..... **09-03**

(52) **U.S. Cl.** ..... **D9/721; D9/423**

(58) **Field of Classification Search** ..... D9/430-433, D9/414, 418, 420-424, 721; D3/272; 206/267, 206/269, 270, 273, 299, 737, 740, 822; 229/100, 229/101, 101.3, 106, 108-112, 114-117, 229/117.05-117.09, 117.24-117.26, 221, 229/222, 227, 902, 939, 941, 942  
See application file for complete search history.

(56) **References Cited**

**U.S. PATENT DOCUMENTS**

D494,474 S \* 8/2004 Houk et al. .... D9/504  
D510,524 S \* 10/2005 Houk et al. .... D9/503

D599,953 S \* 9/2009 Gibson et al. .... D27/190  
D637,903 S \* 5/2011 Ghiotti et al. .... D9/428  
D640,131 S \* 6/2011 Gibson et al. .... D9/428  
D640,546 S \* 6/2011 Berggren ..... D9/428  
D664,840 S \* 8/2012 Jones et al. .... D9/423

\* cited by examiner

*Primary Examiner* — Thomas Johannes

(74) *Attorney, Agent, or Firm* — Thompson McMullan, P.C.; Robert C. Lyne, Jr.

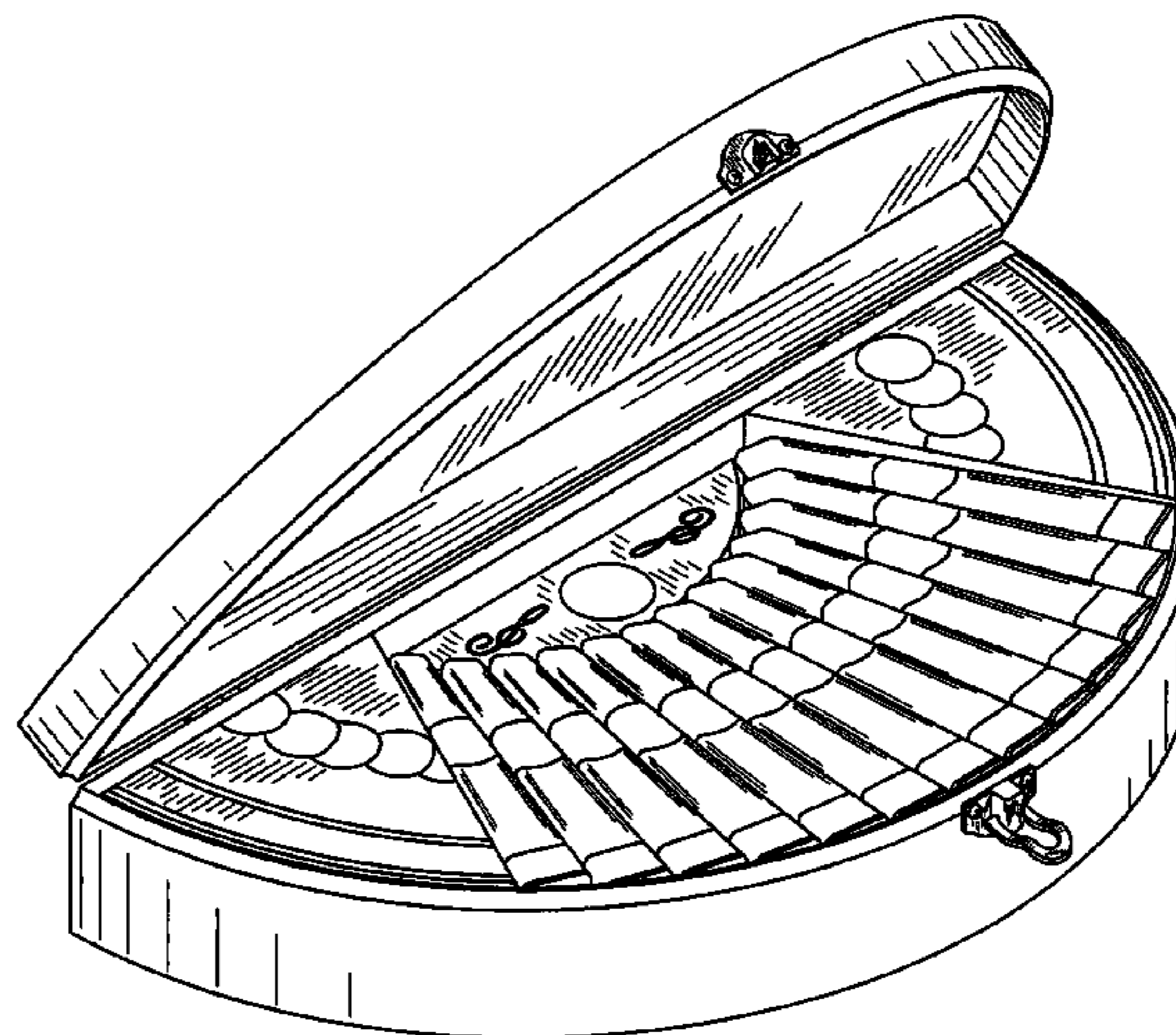
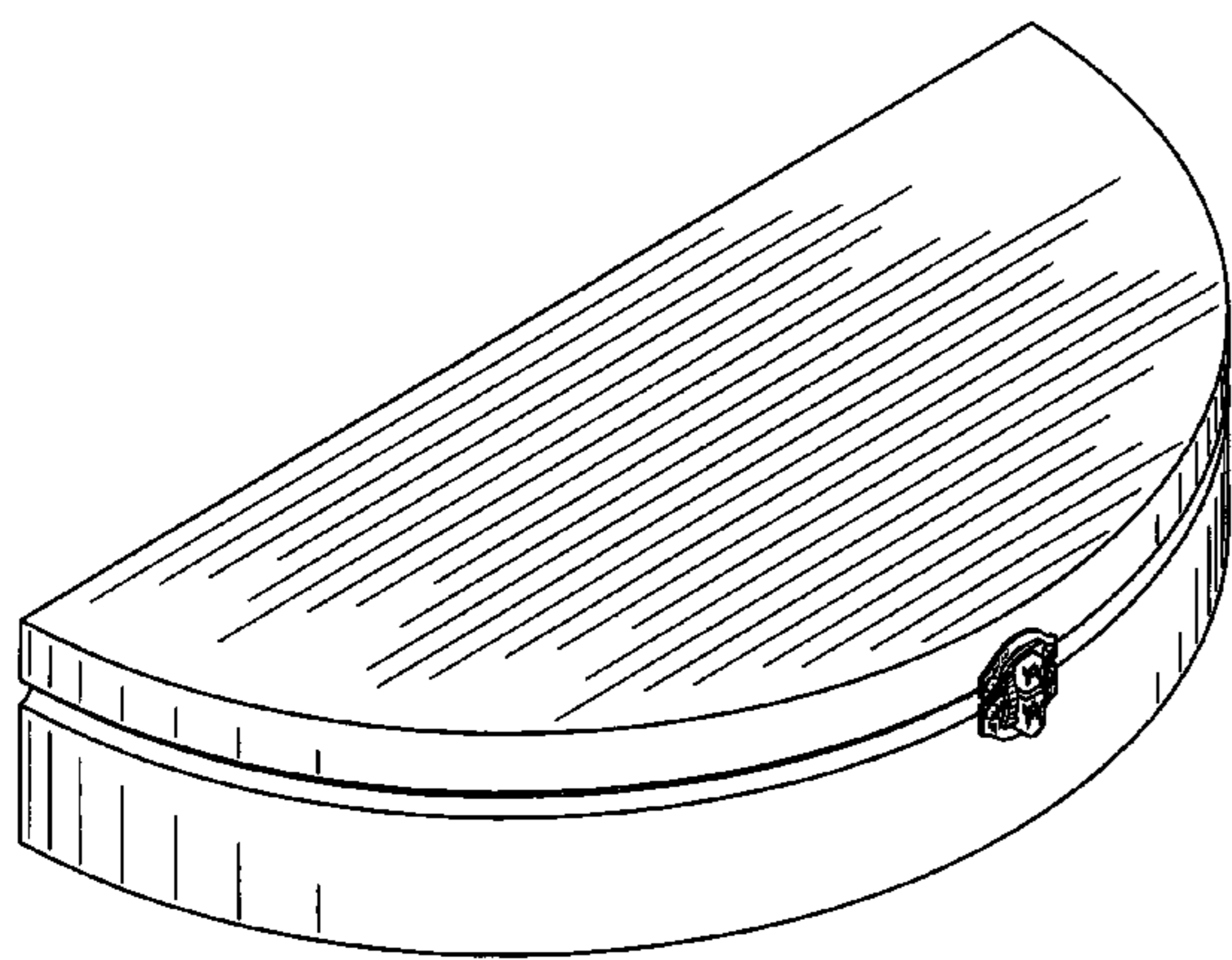
(57) **CLAIM**

The ornamental design for a semicircular cigar box containing tapered cigars, as shown and described.

**DESCRIPTION**

FIG. 1 is a perspective view of a semicircular cigar box containing tapered cigars showing our new design; FIG. 2 is a front view thereof; FIG. 3 is a right side view thereof, which is a mirror image of the left side view; FIG. 4 is a rear view thereof; FIG. 5 is a top view thereof; FIG. 6 is a bottom view thereof; FIG. 7 is another perspective view thereof, with the lid partially open; and, FIG. 8 is a perspective view thereof similar to FIG. 7, but with the cigars removed to show the interior of the box.

**1 Claim, 8 Drawing Sheets**



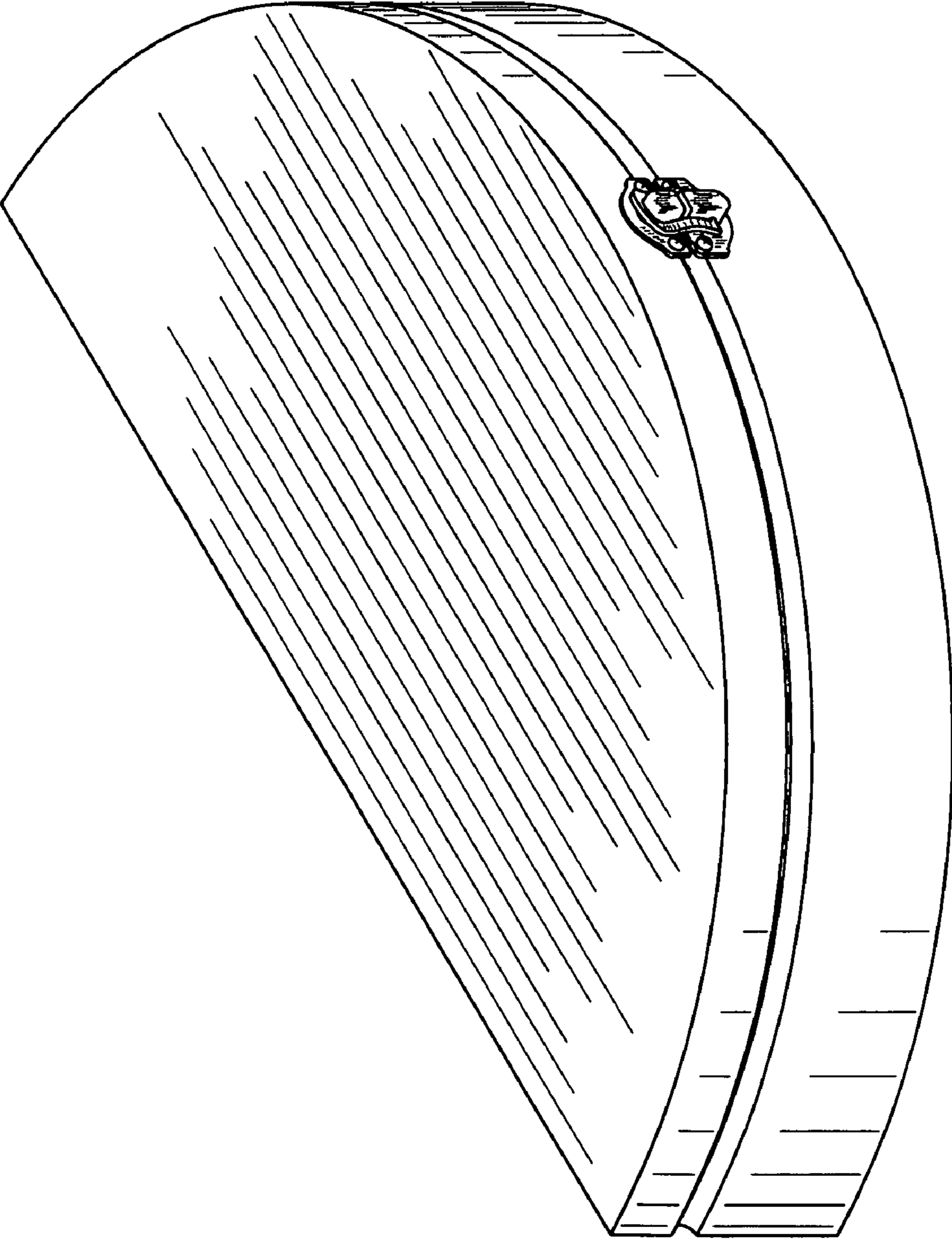


FIG.1

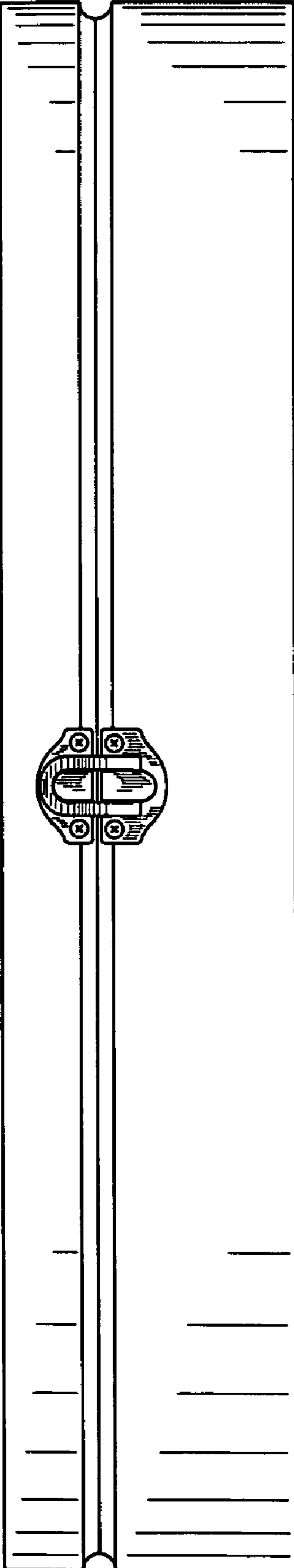


FIG.2

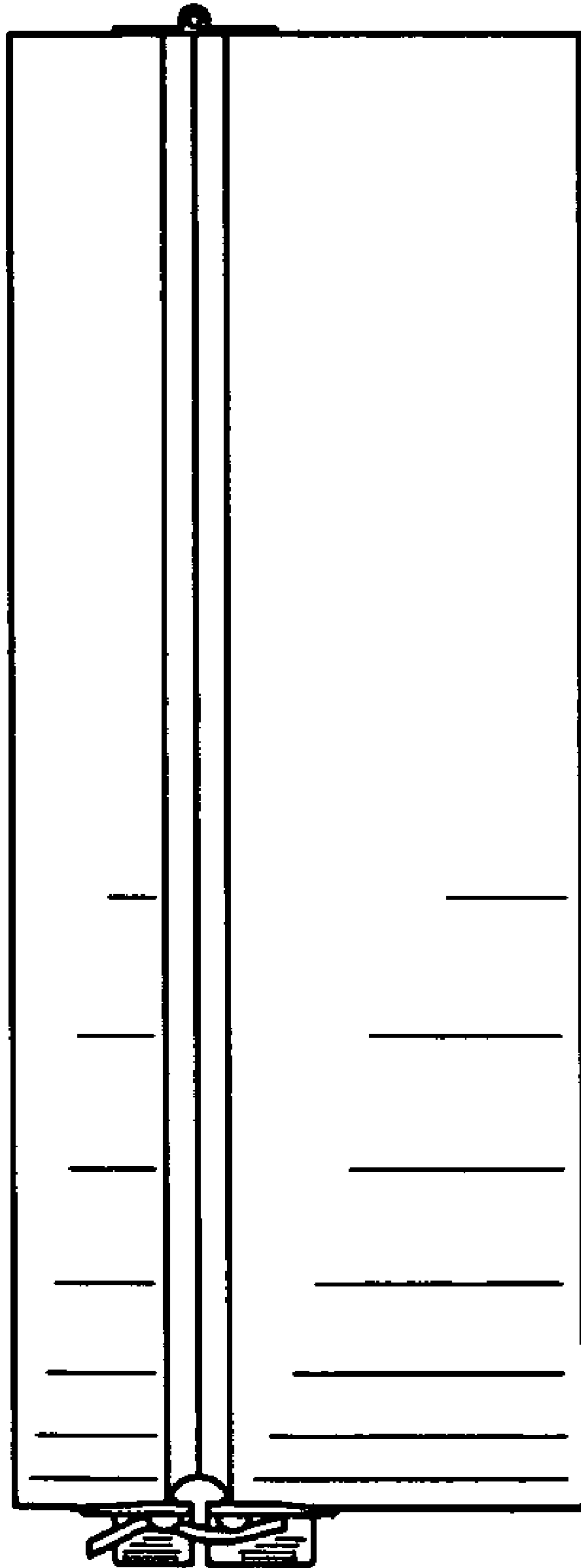


FIG.3

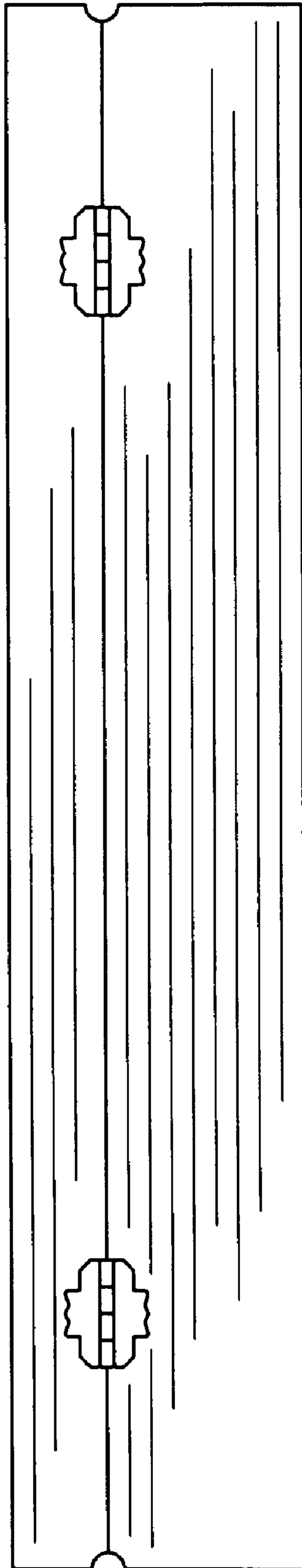


FIG.4

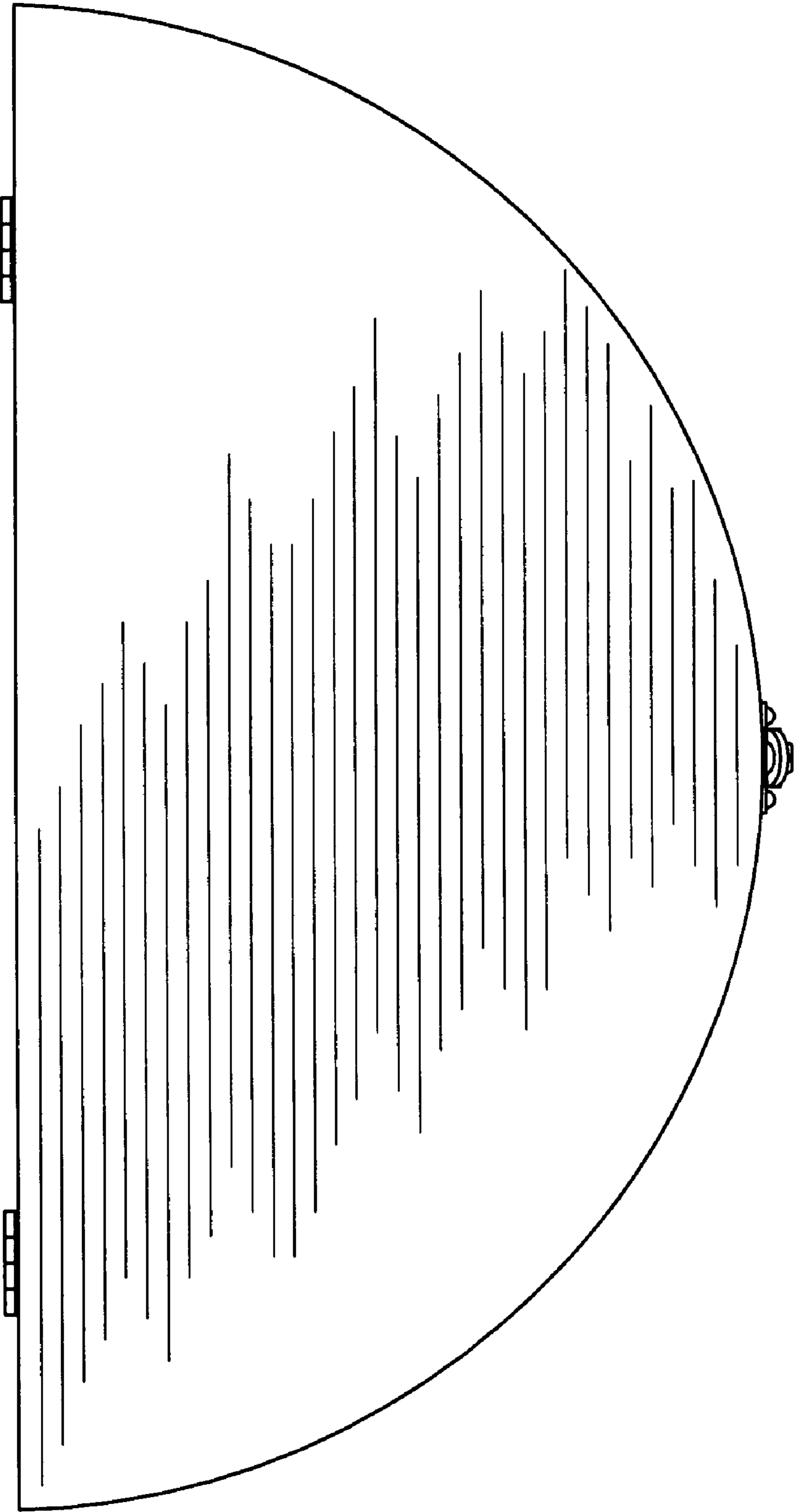


FIG.5

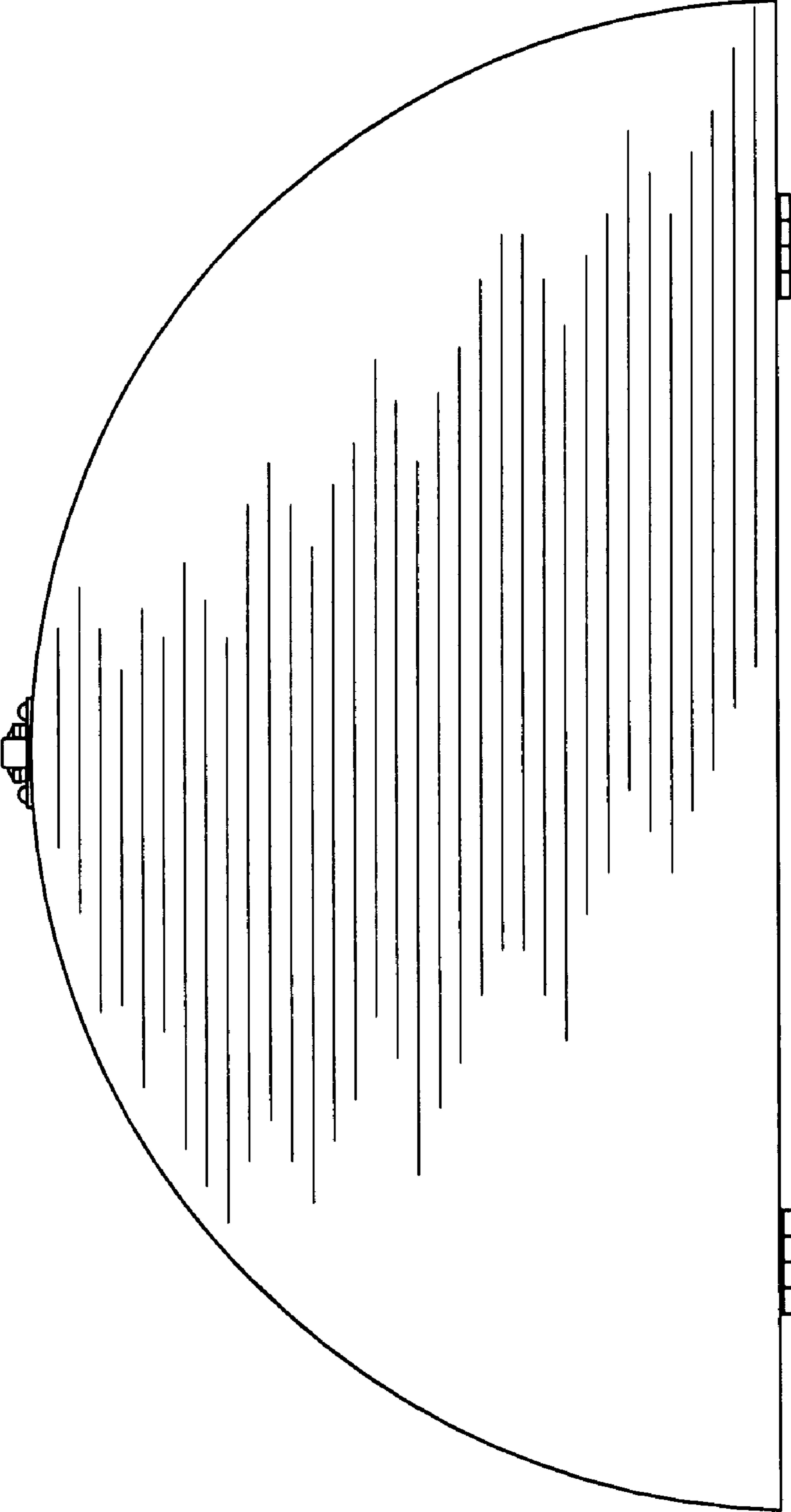


FIG.6



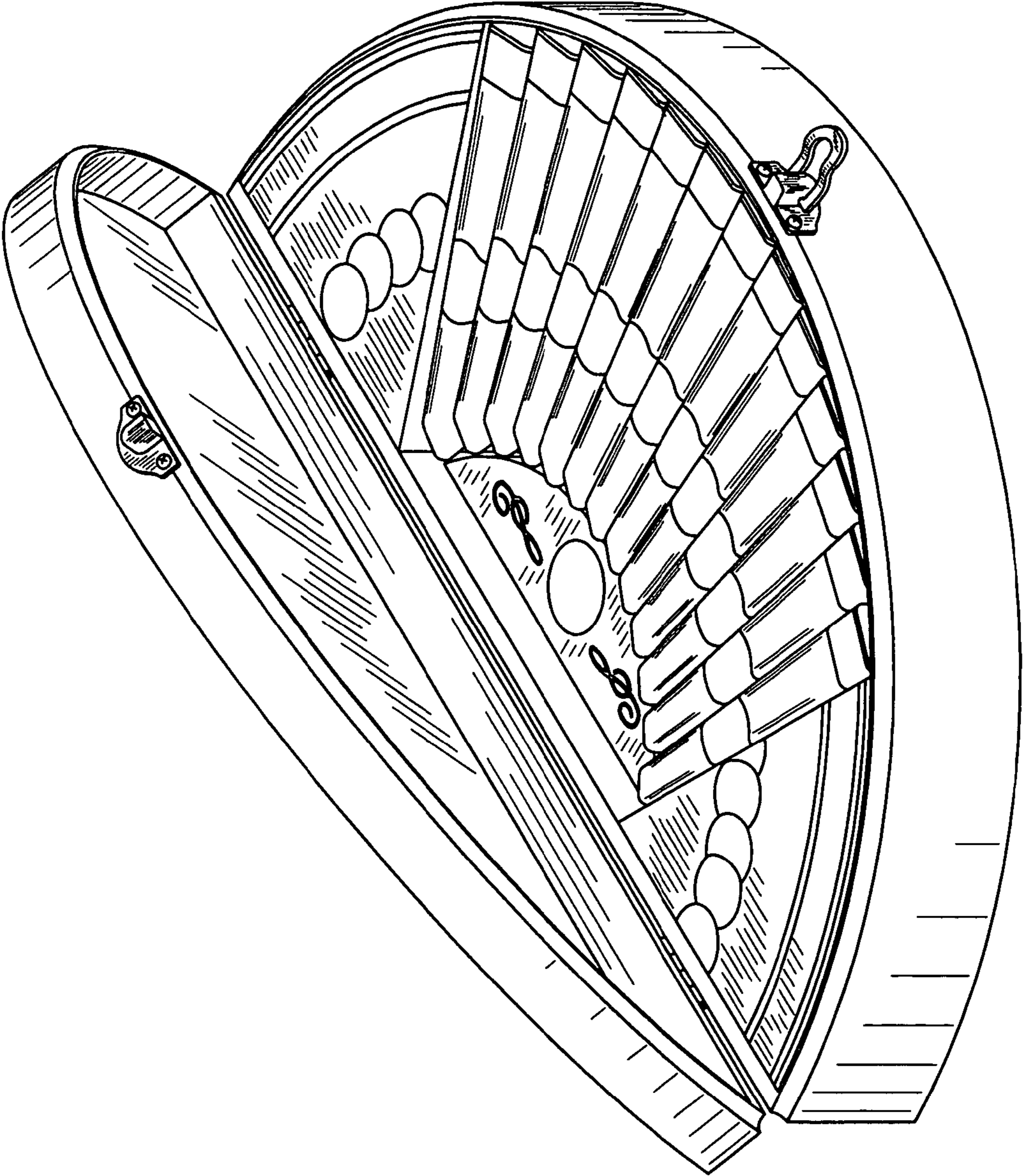


FIG.7



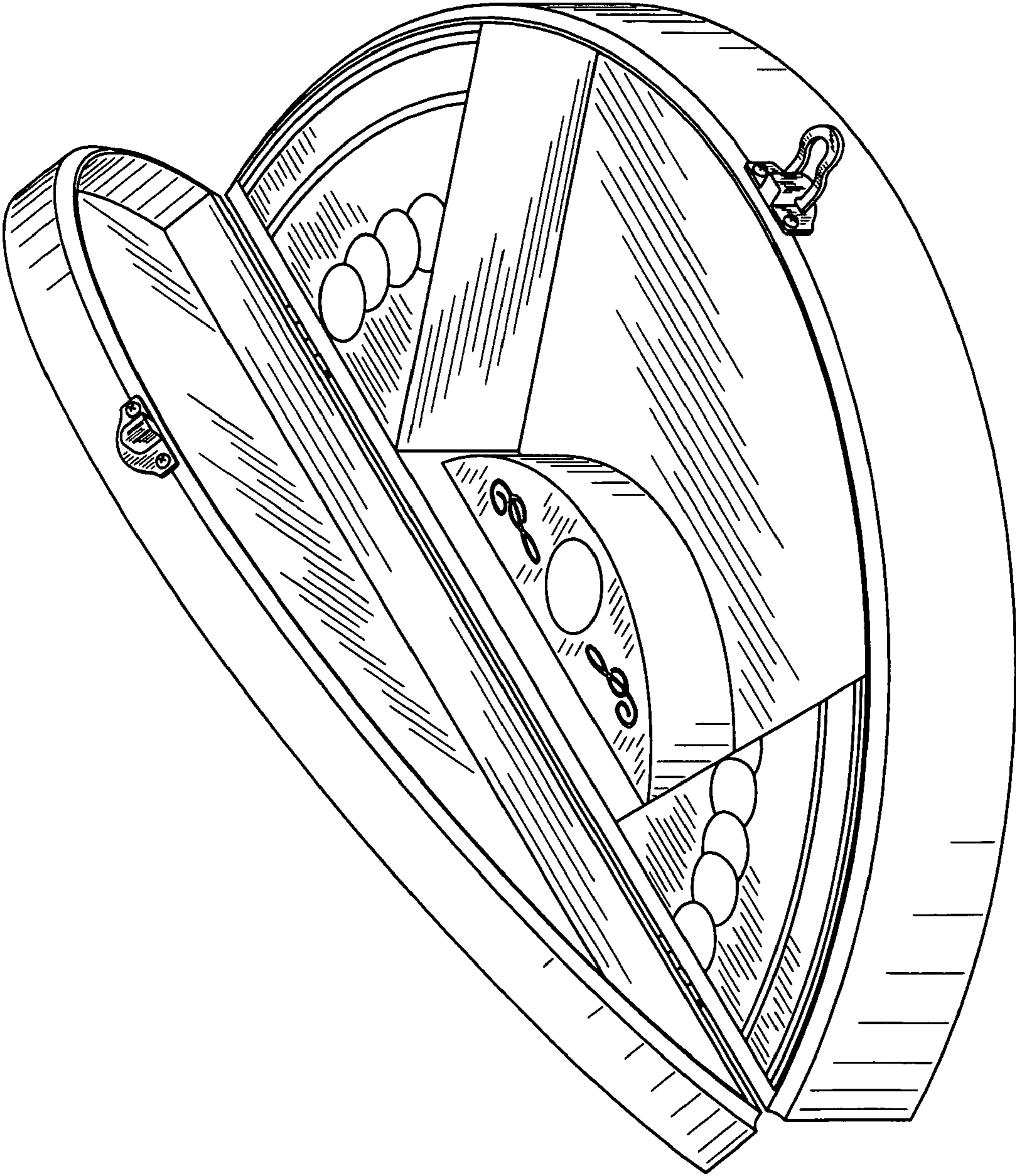


FIG.8