



US00D675936S

(12) **United States Design Patent**  
**Ghandour**

(10) **Patent No.:** **US D675,936 S**

(45) **Date of Patent:** **\*\* Feb. 12, 2013**

(54) **PERFUME BOTTLE**

D334,138 S \* 3/1993 Larsen ..... D9/649  
D479,124 S \* 9/2003 Pope ..... D9/649  
D542,006 S \* 5/2007 Silvestri ..... D9/649

(75) Inventor: **Tanal Ghandour**, Accra (GH)

\* cited by examiner

(73) Assignee: **Rivelnor Group Limited**, Tortola (VG)

*Primary Examiner* — Sandra Morris

(\*\*) Term: **14 Years**

(74) *Attorney, Agent, or Firm* — Oliff & Berridge, PLC

(21) Appl. No.: **29/403,099**

(57) **CLAIM**

(22) Filed: **Sep. 30, 2011**

The ornamental design for perfume bottle, as shown and described.

(30) **Foreign Application Priority Data**

**DESCRIPTION**

Apr. 5, 2011 (EM) ..... 001846163-0001  
Apr. 5, 2011 (EM) ..... 001846163-0002  
Apr. 5, 2011 (EM) ..... 001846163-0003  
Apr. 5, 2011 (EM) ..... 001846163-0004

FIG. 1 is a perspective view of perfume bottle according to a first embodiment;

(51) **LOC (9) Cl.** ..... **09-01**

FIG. 2 is a front view thereof;

(52) **U.S. Cl.** ..... **D9/649**

FIG. 3 is a rear view thereof;

(58) **Field of Classification Search** ..... D9/600,  
D9/649, 682, 693, 516; 206/494, 457, 527,  
206/540; 215/400; 220/890; 229/116.1;  
D7/514-515; D29/91.1

FIG. 4 is a left-side view thereof;

FIG. 5 is a right-side view thereof;

FIG. 6 is a top view thereof;

FIG. 7 is a bottom view thereof;

FIG. 8 is a perspective view of a perfume bottle according to a second embodiment;

FIG. 9 is a front view thereof;

FIG. 10 is a rear view thereof;

FIG. 11 is a left-side view thereof;

FIG. 12 is a right-side view thereof;

FIG. 13 is a top view thereof; and,

FIG. 14 is a bottom view thereof.

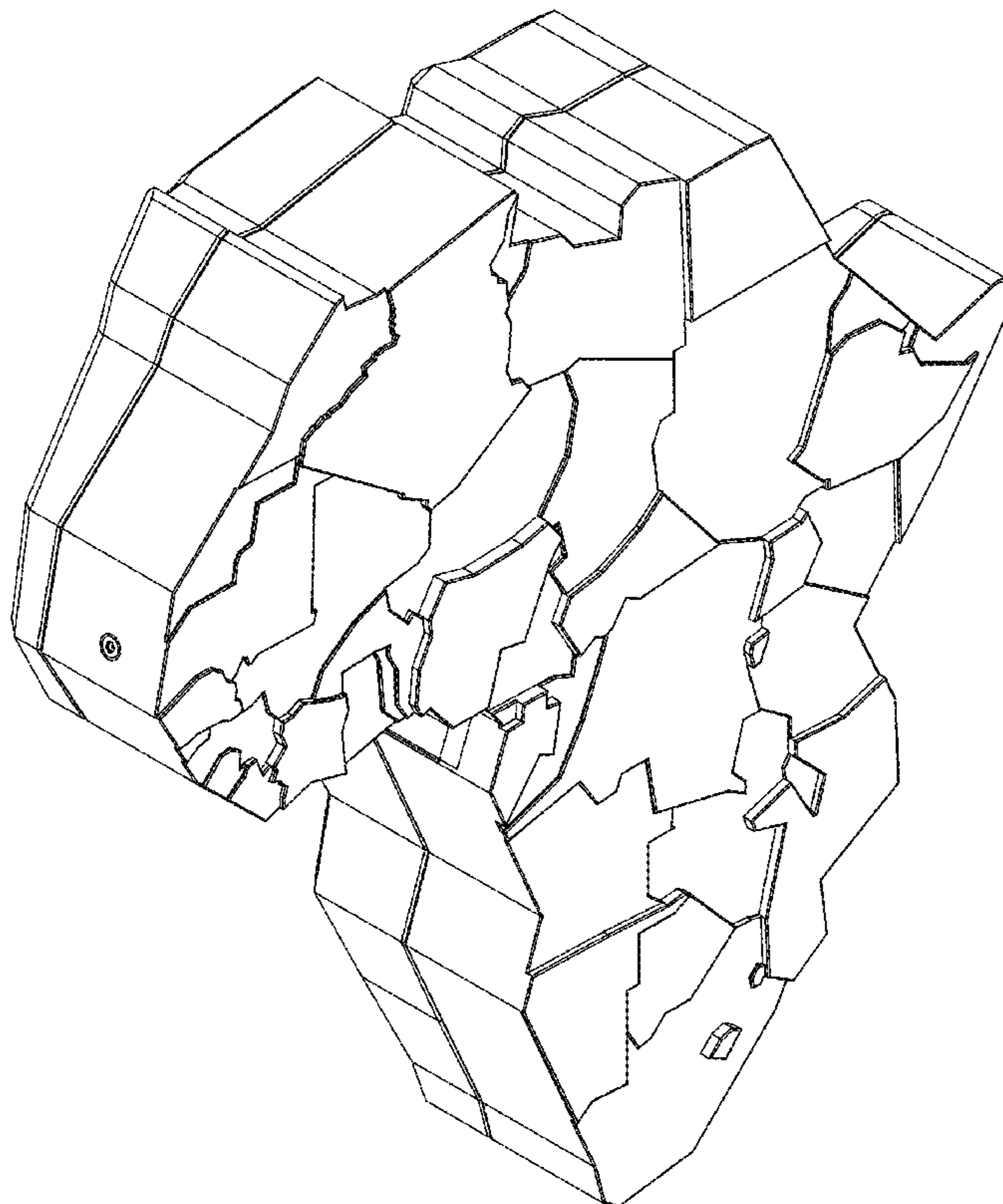
See application file for complete search history.

(56) **References Cited**

**U.S. PATENT DOCUMENTS**

D172,316 S \* 5/1954 Sanford ..... D9/649  
D316,960 S \* 5/1991 Wilkerson ..... D9/649

**1 Claim, 10 Drawing Sheets**



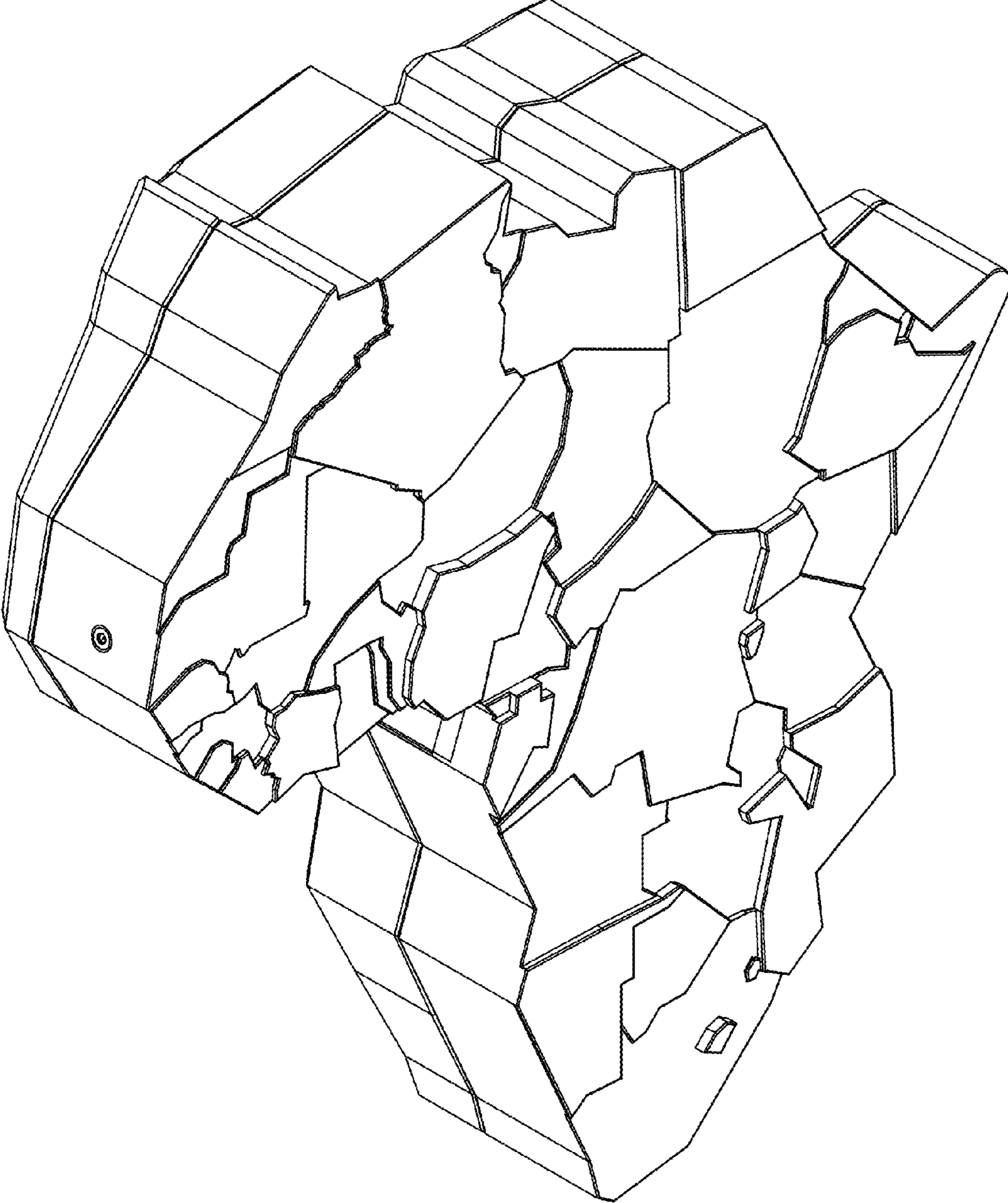


FIG. 1

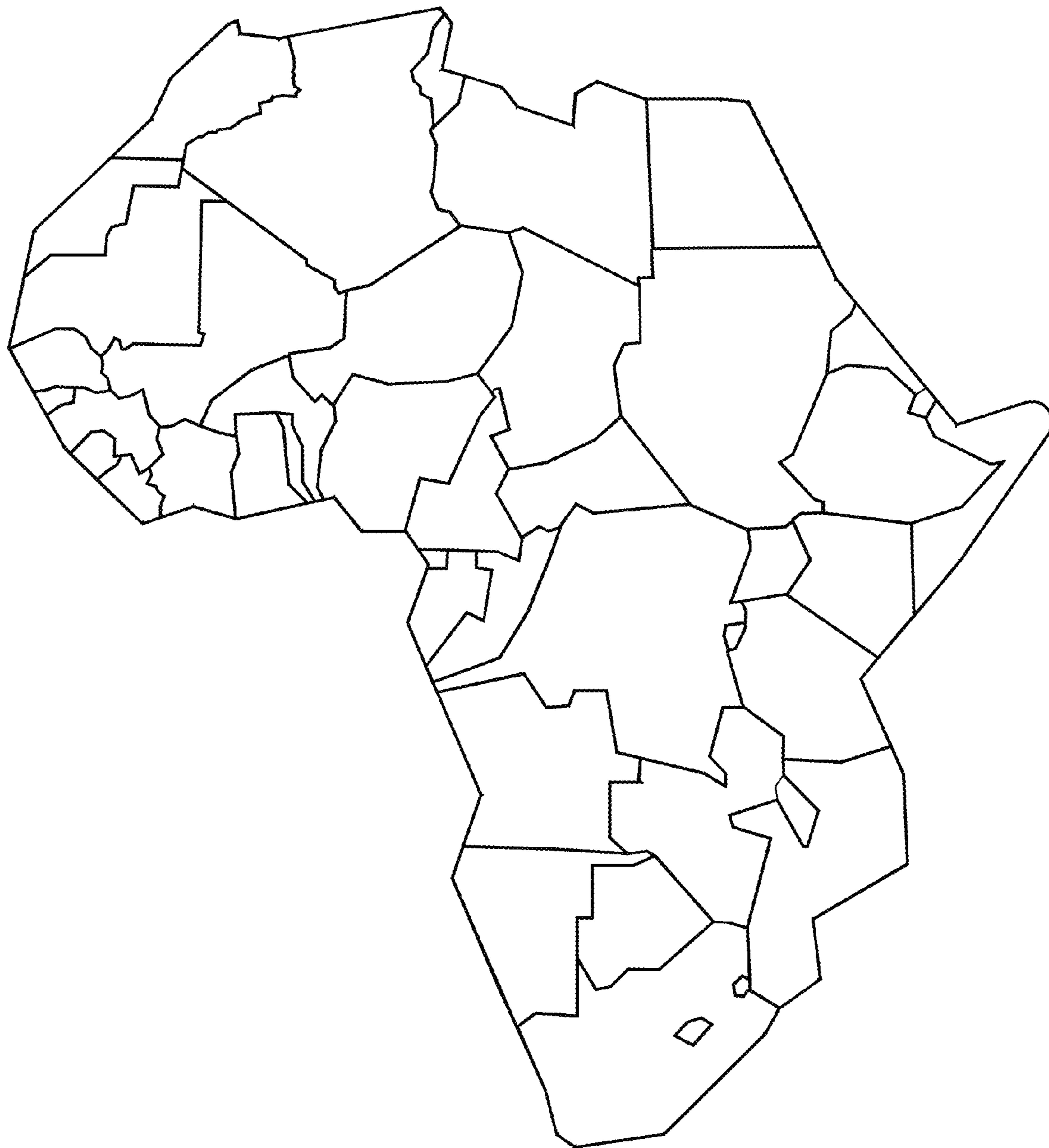


FIG. 2

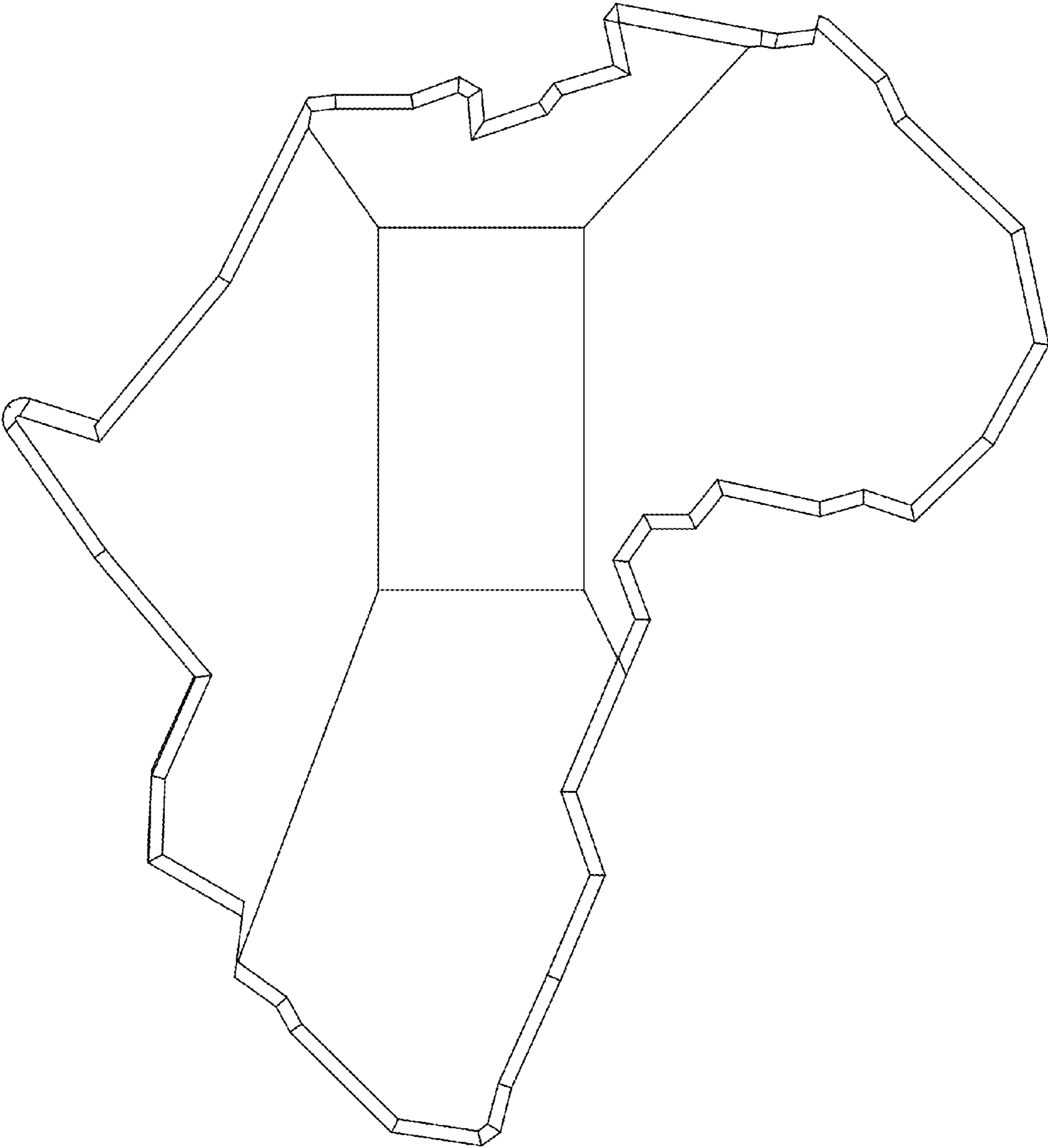


FIG. 3



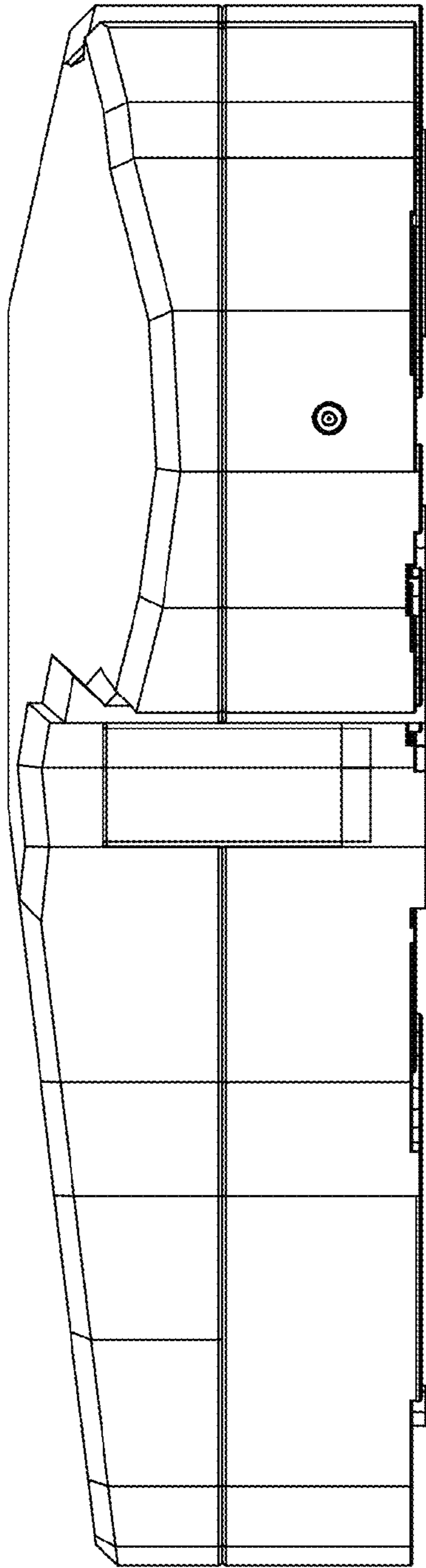


FIG. 4

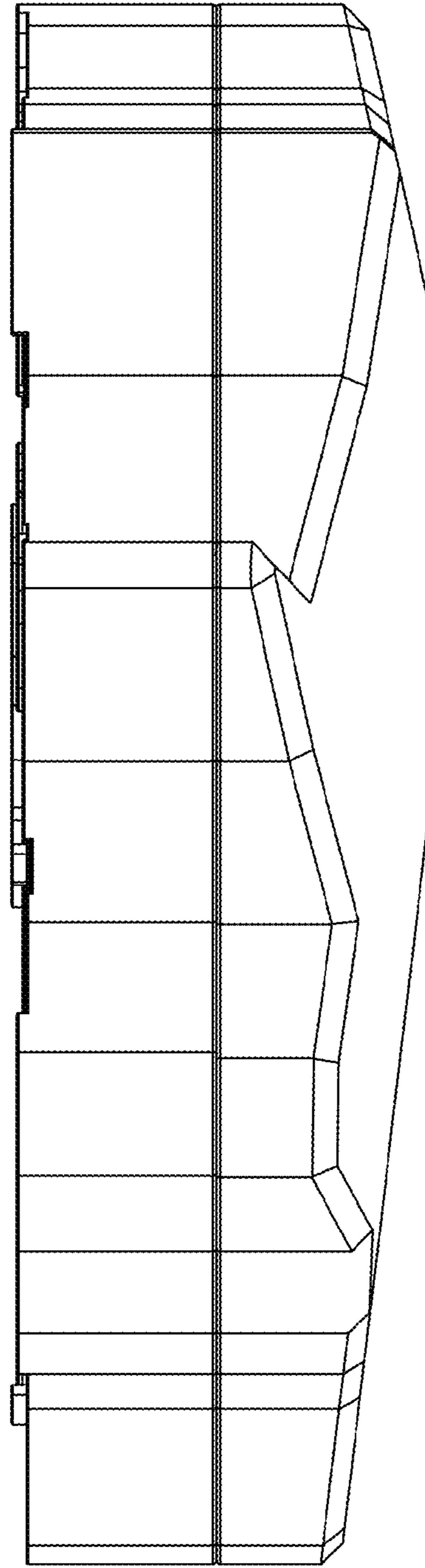


FIG. 5

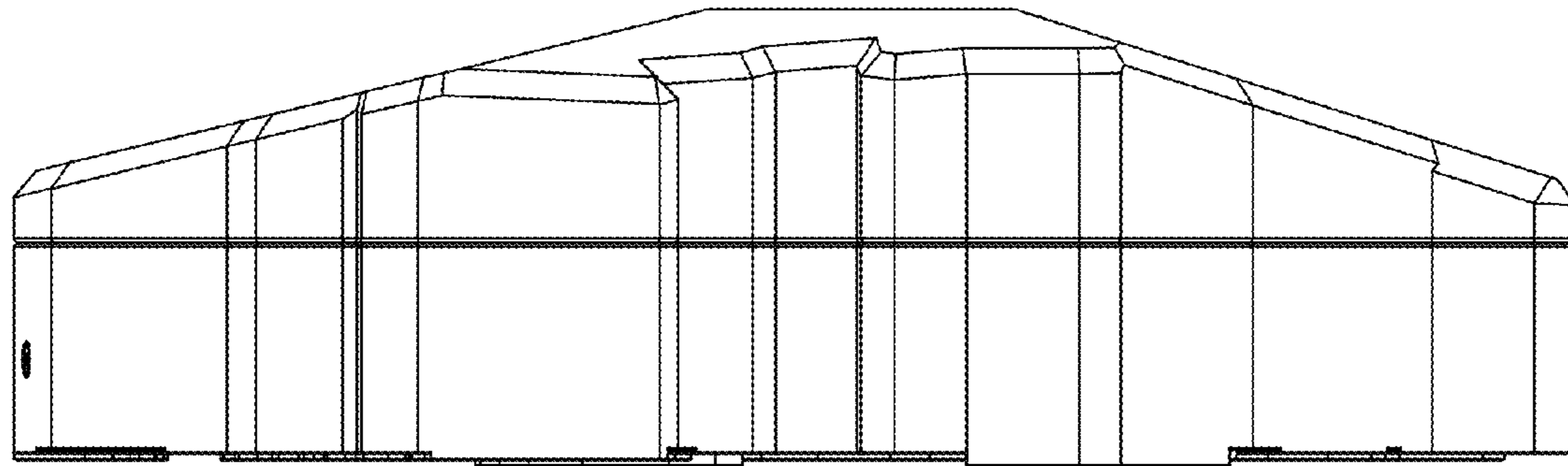


FIG. 6

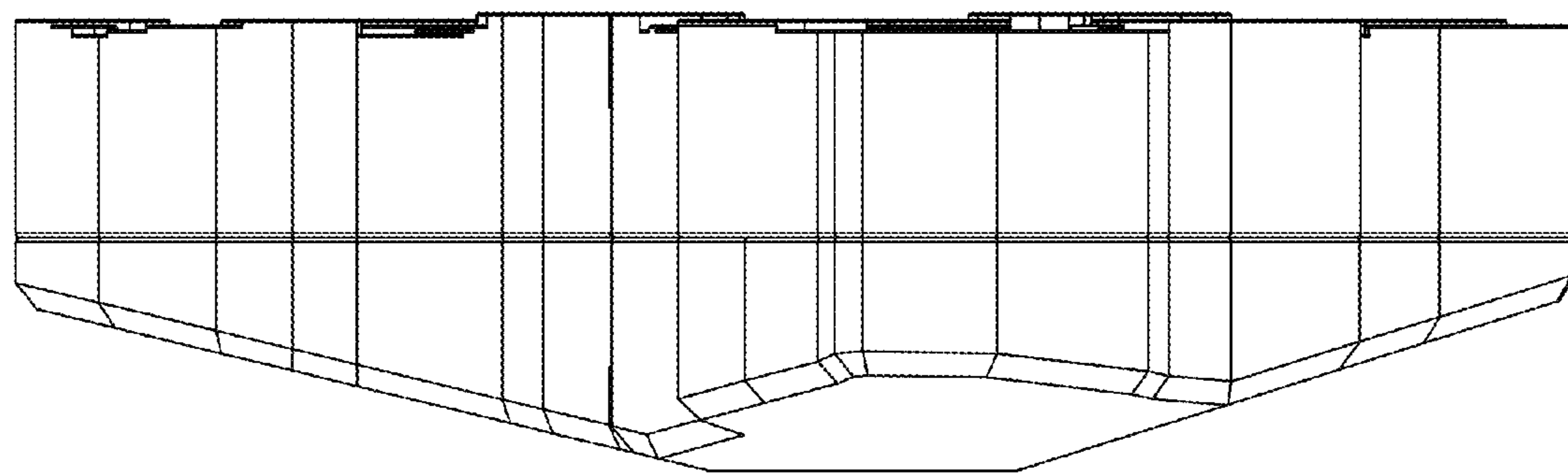


FIG. 7

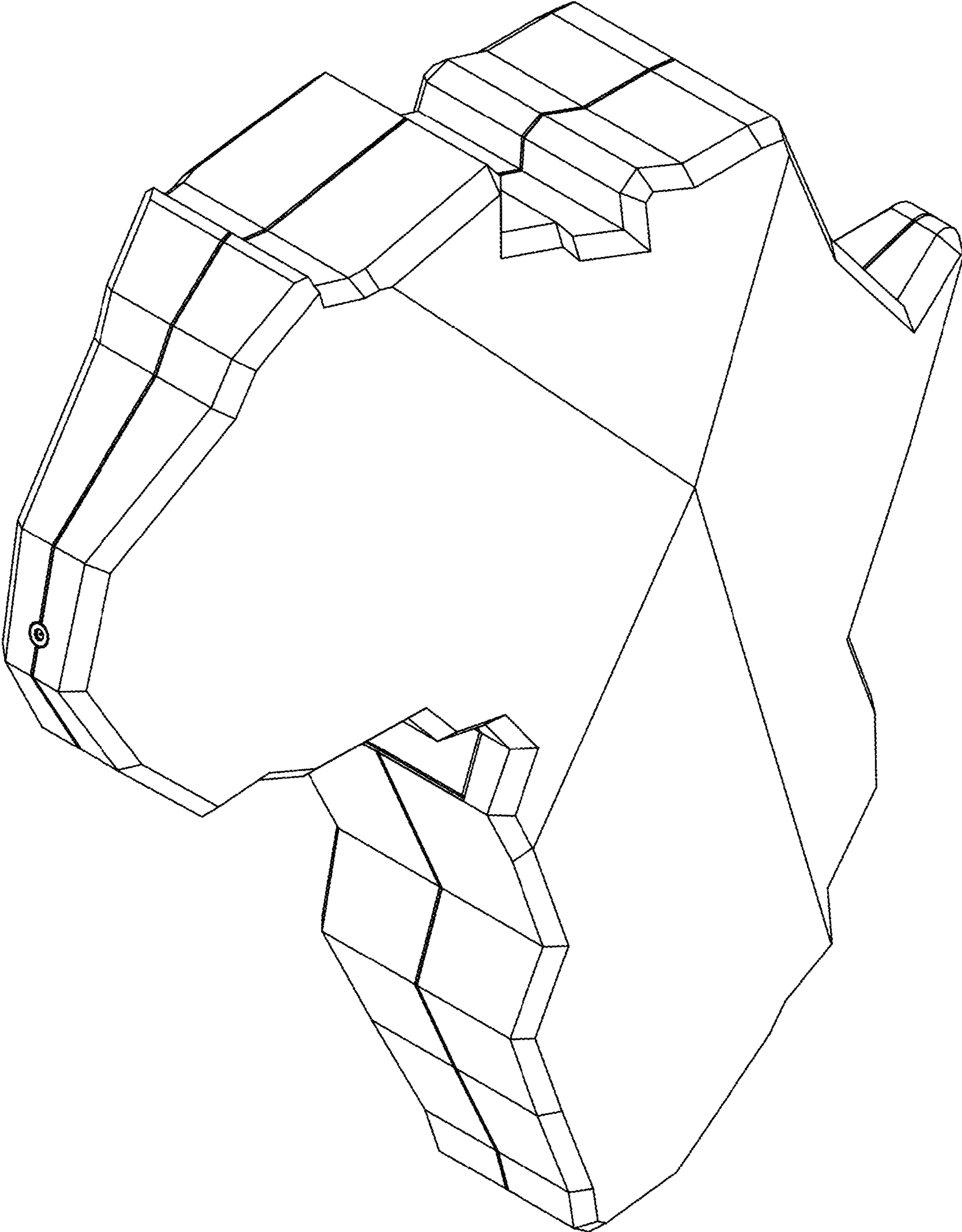


FIG. 8

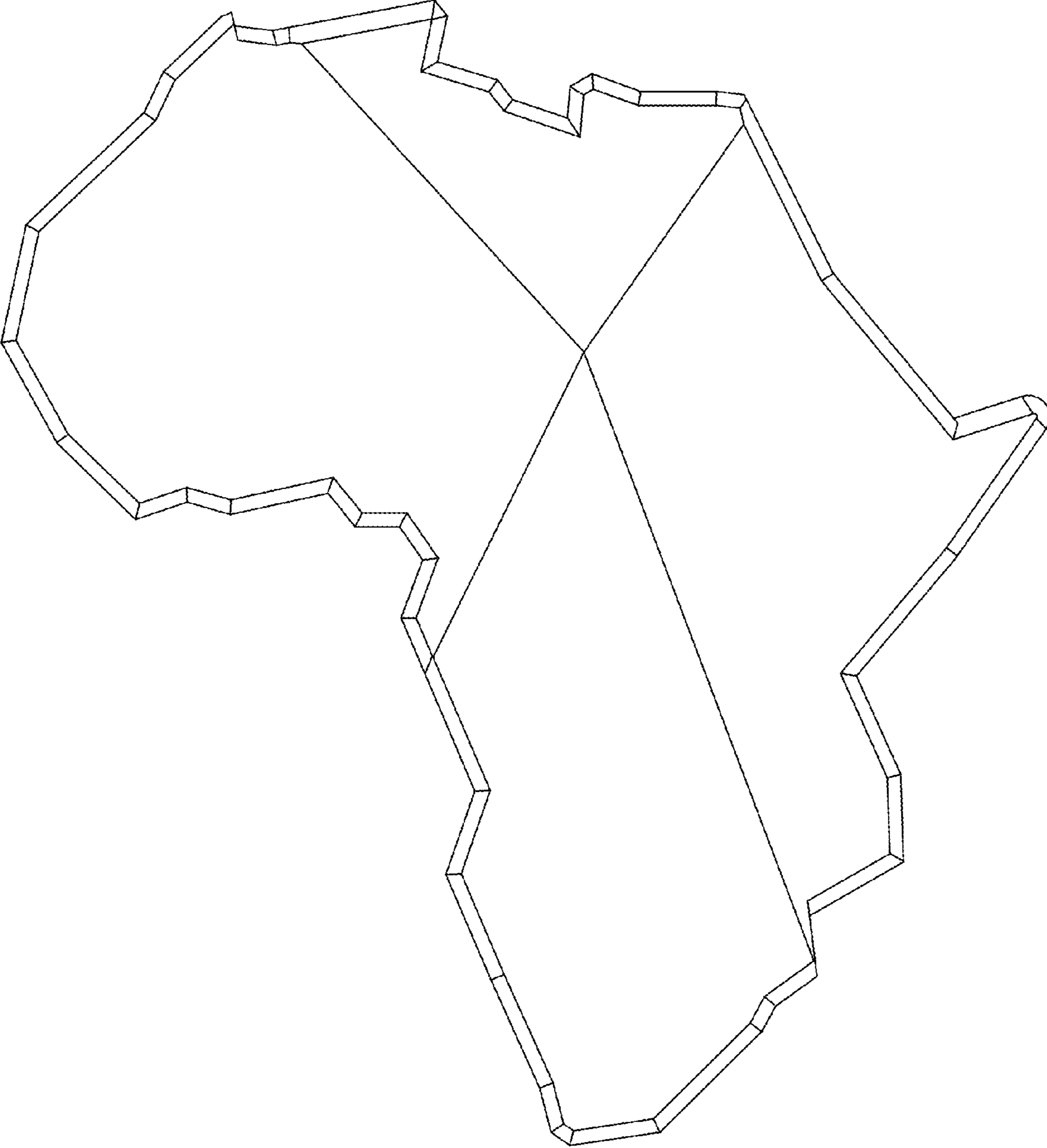


FIG. 9



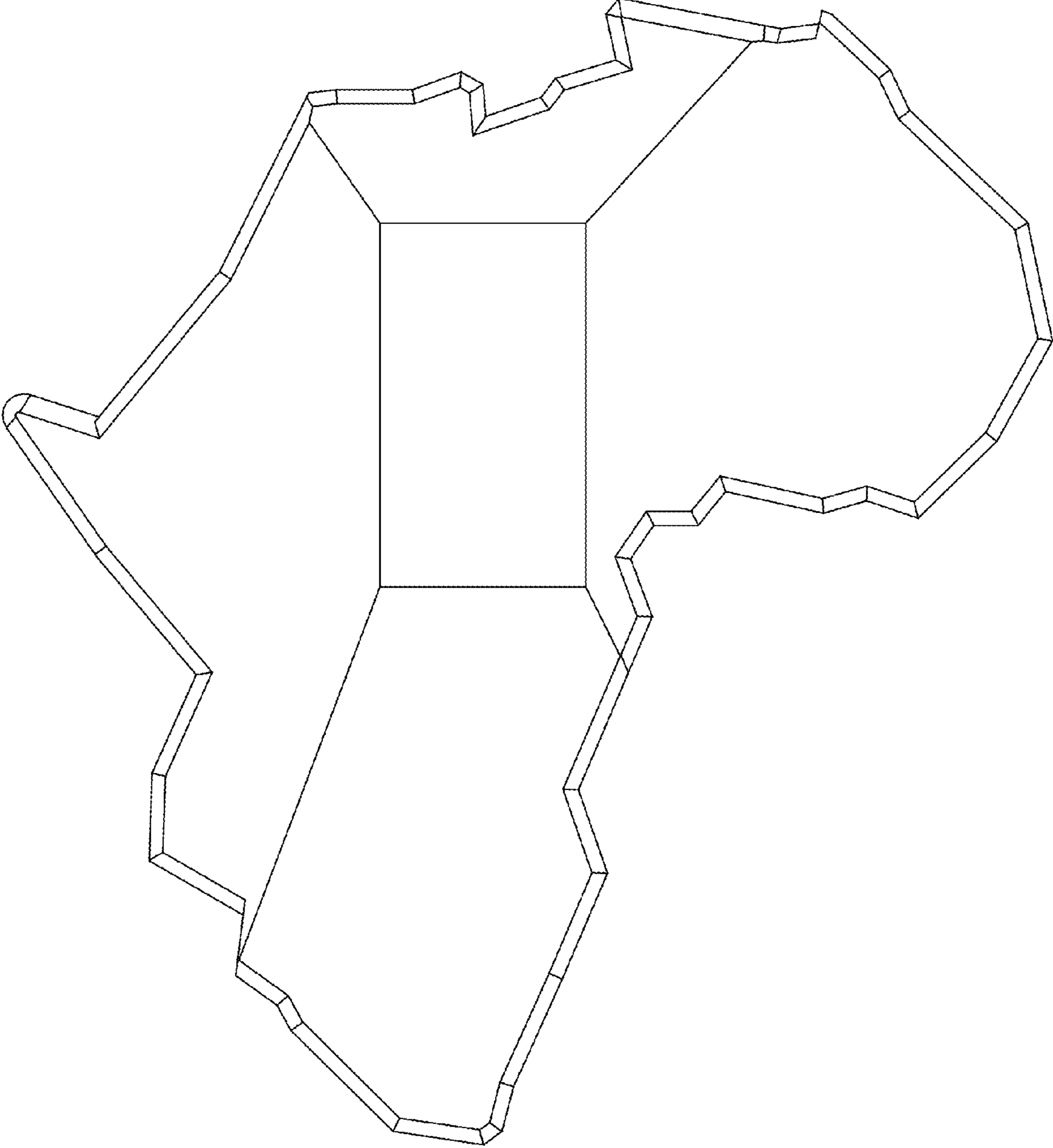


FIG. 10

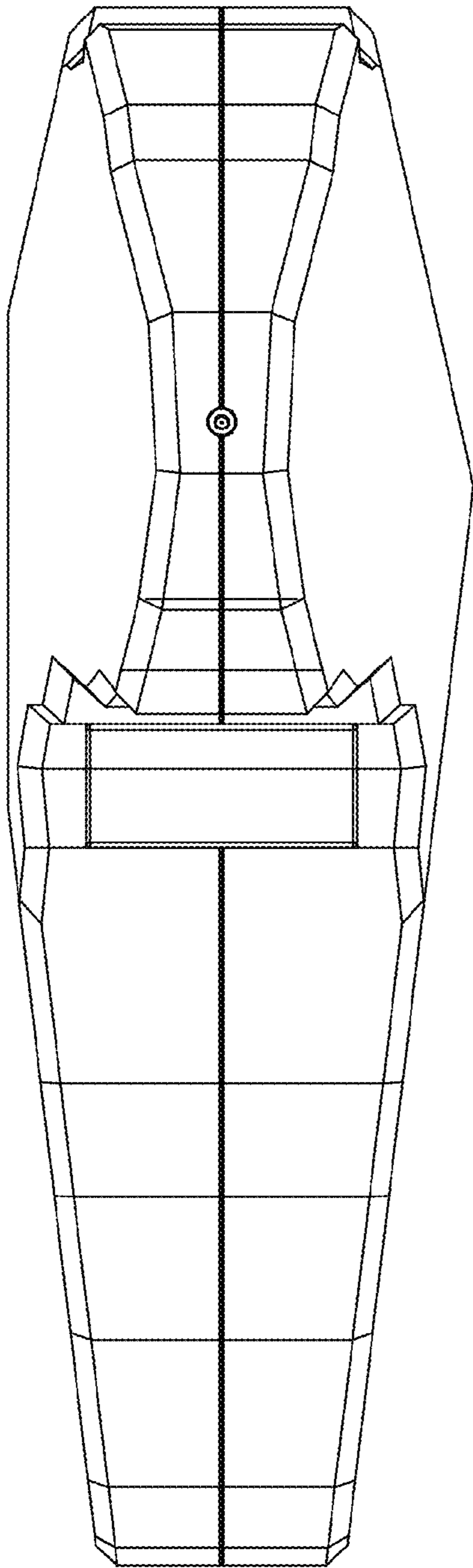


FIG. 11

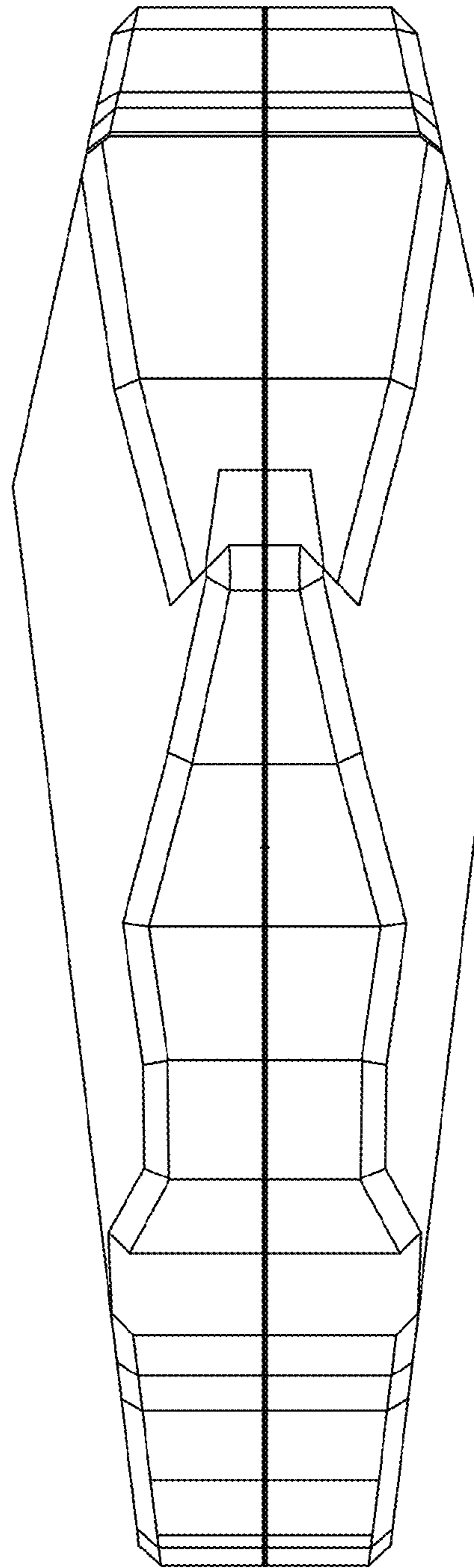


FIG. 12

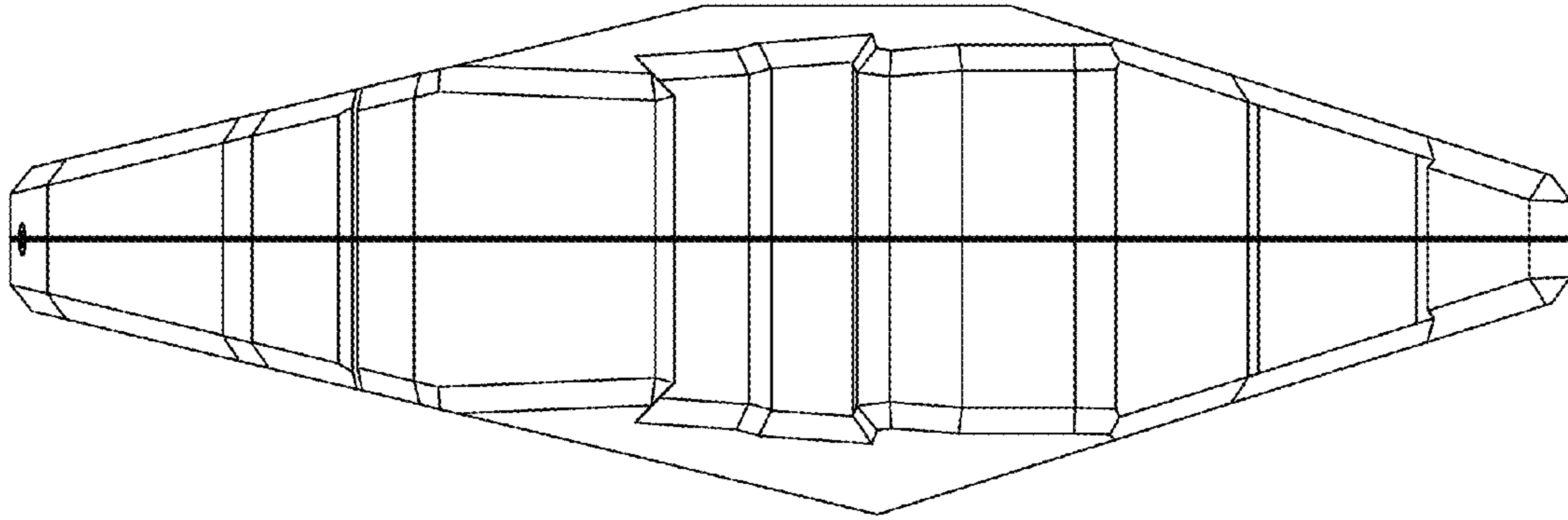


FIG. 13

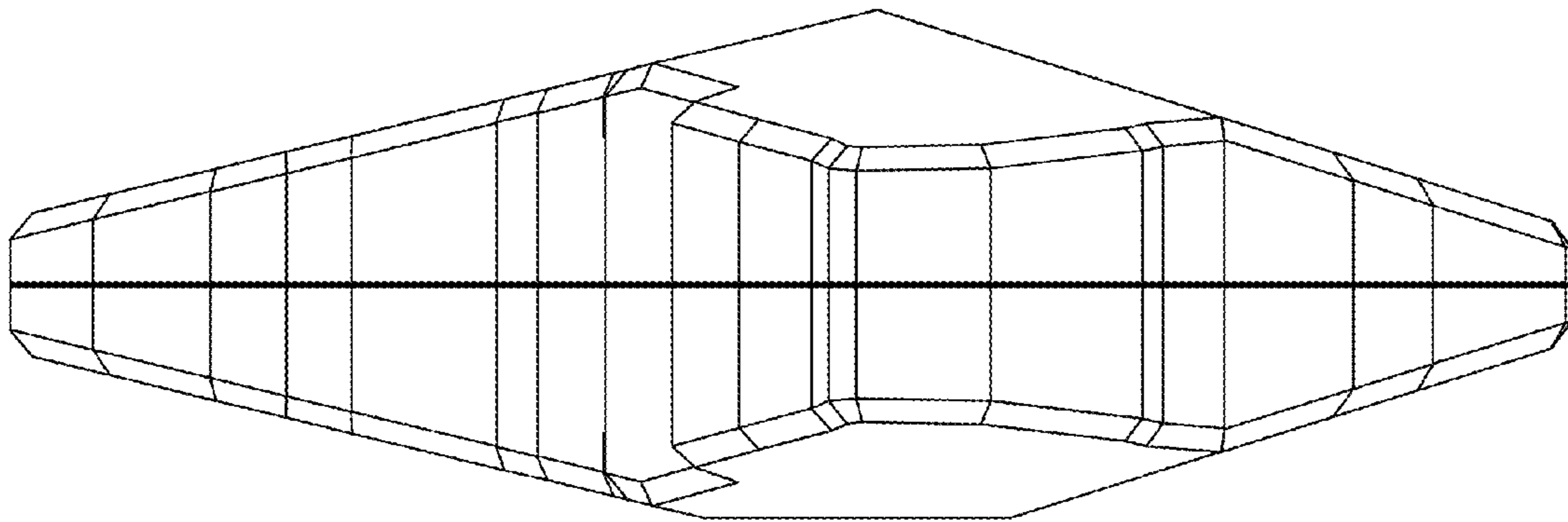


FIG. 14