



US00D675926S

(12) **United States Design Patent**  
**Tovar**

(10) **Patent No.:** **US D675,926 S**

(45) **Date of Patent:** **\*\* Feb. 12, 2013**

(54) **JAR**

(75) Inventor: **Jorge De La Cruz Tovar**, Madrid (ES)

(73) Assignee: **Bruni Glass S.p.A.**, Trezzano Sul Naviglio (IT)

(\*\*) Term: **14 Years**

(21) Appl. No.: **29/410,452**

(22) Filed: **Jan. 9, 2012**

(30) **Foreign Application Priority Data**

Jul. 27, 2011 (EM) ..... 001896739-0002

(51) **LOC (9) Cl.** ..... **09-01**

(52) **U.S. Cl.** ..... **D9/552; D9/537; D9/538; D9/540; D9/562; D9/575**

(58) **Field of Classification Search** ..... D9/682, D9/688, 690, 693-694, 516, 529, 537-546, D9/549, 552, 558, 562, 565, 574-575; 215/381-385  
See application file for complete search history.

(56) **References Cited**

**U.S. PATENT DOCUMENTS**

|              |         |                 |       |        |
|--------------|---------|-----------------|-------|--------|
| D277,823 S * | 3/1985  | Harris          | ..... | D9/690 |
| D278,119 S * | 3/1985  | Harris          | ..... | D9/690 |
| D278,973 S * | 5/1985  | Harris          | ..... | D9/690 |
| D311,132 S * | 10/1990 | Dinand          | ..... | D9/529 |
| D320,671 S * | 10/1991 | Hoenig          | ..... | D28/7  |
| D322,395 S * | 12/1991 | Sommer          | ..... | D9/565 |
| D322,935 S * | 1/1992  | Schmidt         | ..... | D9/565 |
| D324,331 S * | 3/1992  | Schmidt         | ..... | D9/516 |
| D355,130 S * | 2/1995  | Bompard         | ..... | D9/552 |
| D356,813 S * | 3/1995  | Ichikawa et al. | ..... | D18/43 |

|              |         |                 |       |          |
|--------------|---------|-----------------|-------|----------|
| D376,317 S * | 12/1996 | Weiss           | ..... | D9/435   |
| D406,527 S * | 3/1999  | Anderson et al. | ..... | D9/562 X |
| D407,319 S * | 3/1999  | Maddy           | ..... | D9/544   |
| D420,284 S * | 2/2000  | Sagel           | ..... | D9/552 X |
| D435,220 S * | 12/2000 | Lee             | ..... | D9/545   |
| D447,422 S * | 9/2001  | Peek            | ..... | D9/552   |
| D453,028 S * | 1/2002  | DeLuca et al.   | ..... | D9/552   |
| D485,308 S * | 1/2004  | DeLuca et al.   | ..... | D9/552   |
| D558,055 S * | 12/2007 | Ingemarsson     | ..... | D9/549 X |
| D571,667 S * | 6/2008  | Bourne          | ..... | D9/539   |
| D573,477 S * | 7/2008  | Caldwell        | ..... | D9/540   |
| D580,267 S * | 11/2008 | DeMarco         | ..... | D9/545 X |
| D619,897 S * | 7/2010  | Arnell          | ..... | D9/516   |
| D624,431 S * | 9/2010  | Gentil          | ..... | D9/552   |
| D627,656 S * | 11/2010 | Wendt           | ..... | D9/544   |
| D635,031 S * | 3/2011  | Themann         | ..... | D9/544   |

\* cited by examiner

*Primary Examiner* — Carol P Rademaker

(74) *Attorney, Agent, or Firm* — Kirschstein et al.

(57) **CLAIM**

The ornamental design for a jar, as shown and described.

**DESCRIPTION**

FIG. 1 is a front elevational view of a jar according to my new design;

FIG. 2 is a top plan view thereof;

FIG. 3 is a left side elevational view thereof

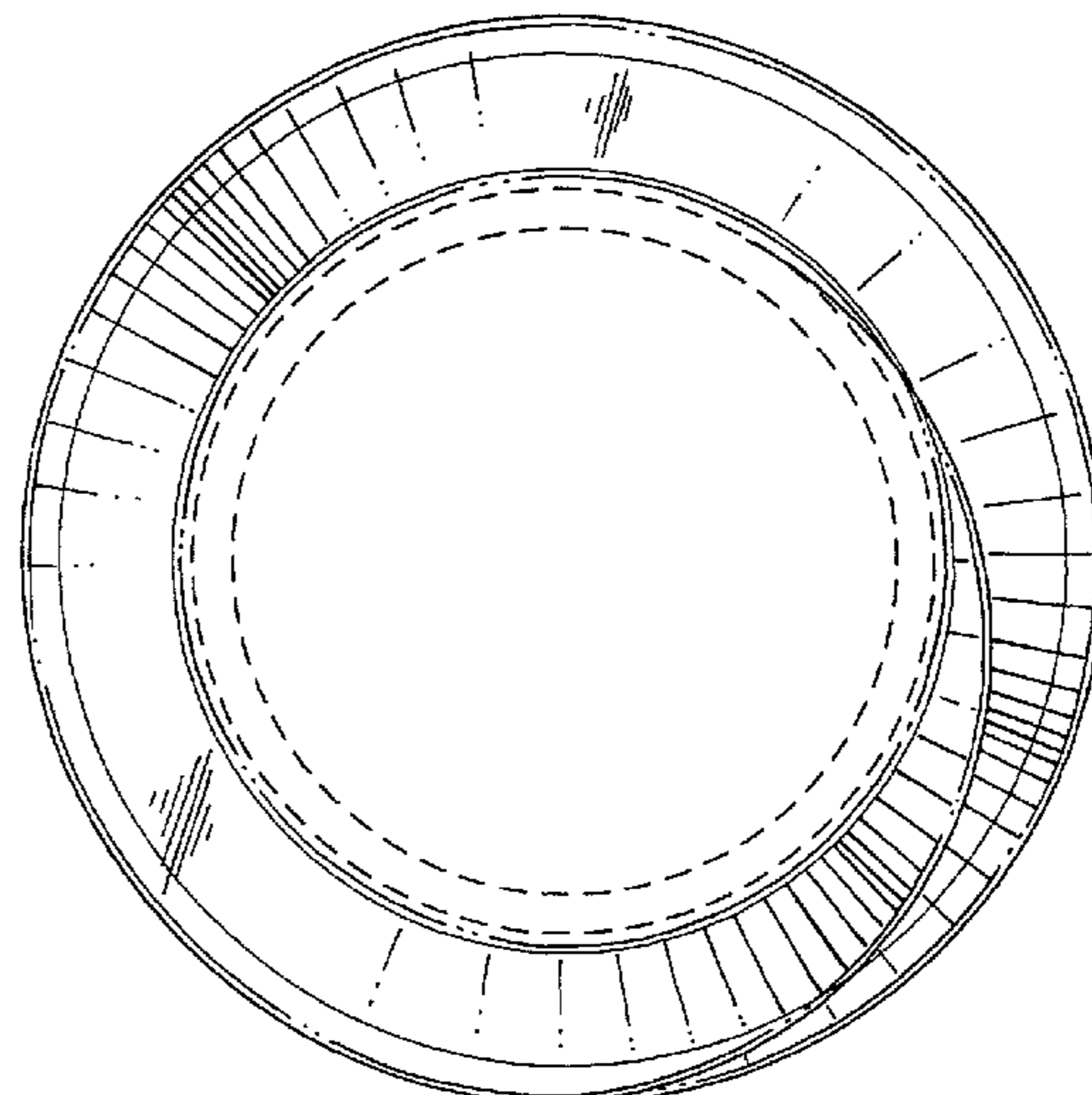
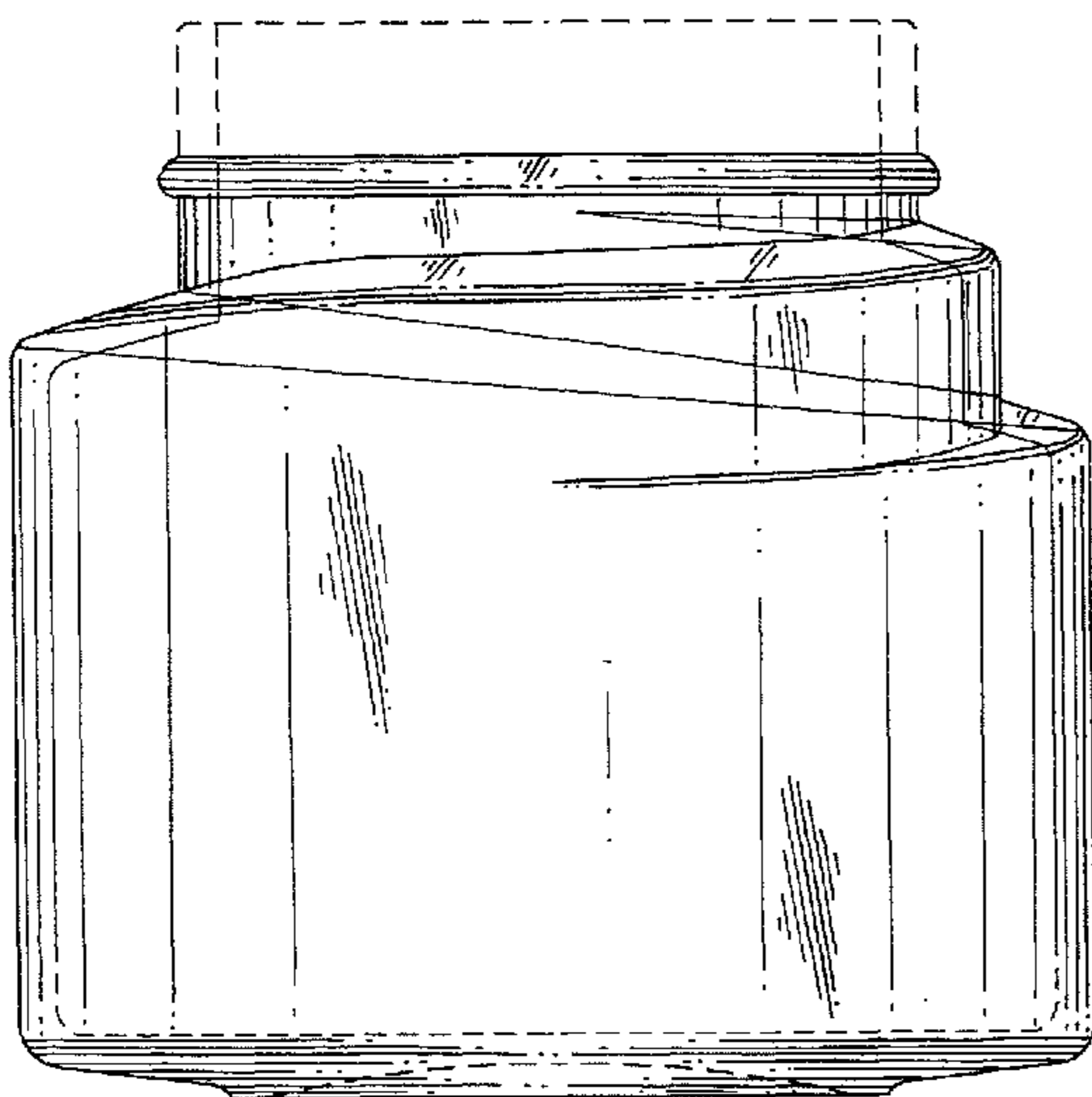
FIG. 4 is a right side elevational view thereof;

FIG. 5 is a rear elevational view thereof; and,

FIG. 6 is a bottom plan view thereof.

The broken lines shown in the drawings are included for the purpose of illustrating environmental structure and form no part of the claimed design.

**1 Claim, 3 Drawing Sheets**



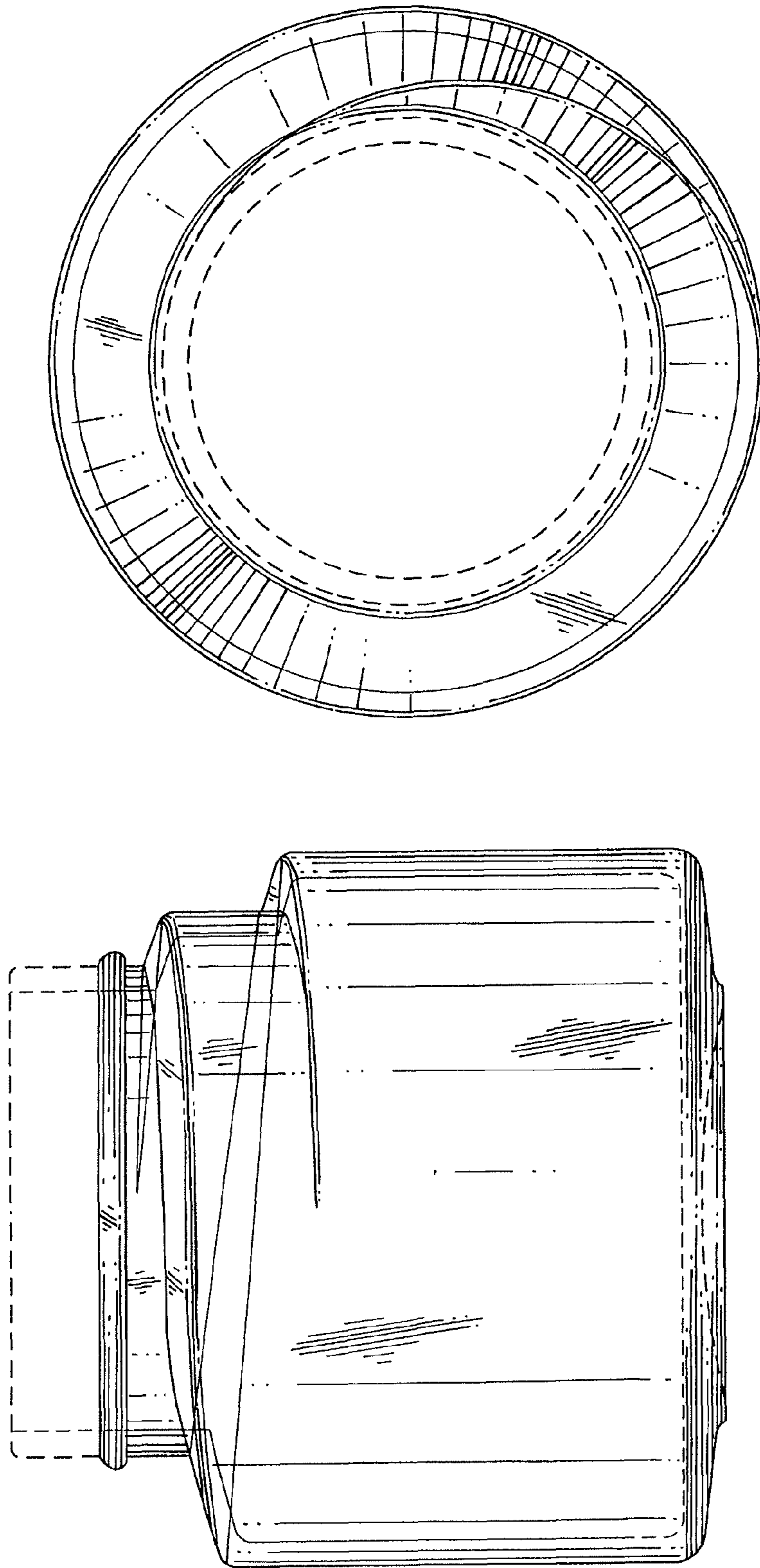


FIG. 1

FIG. 2

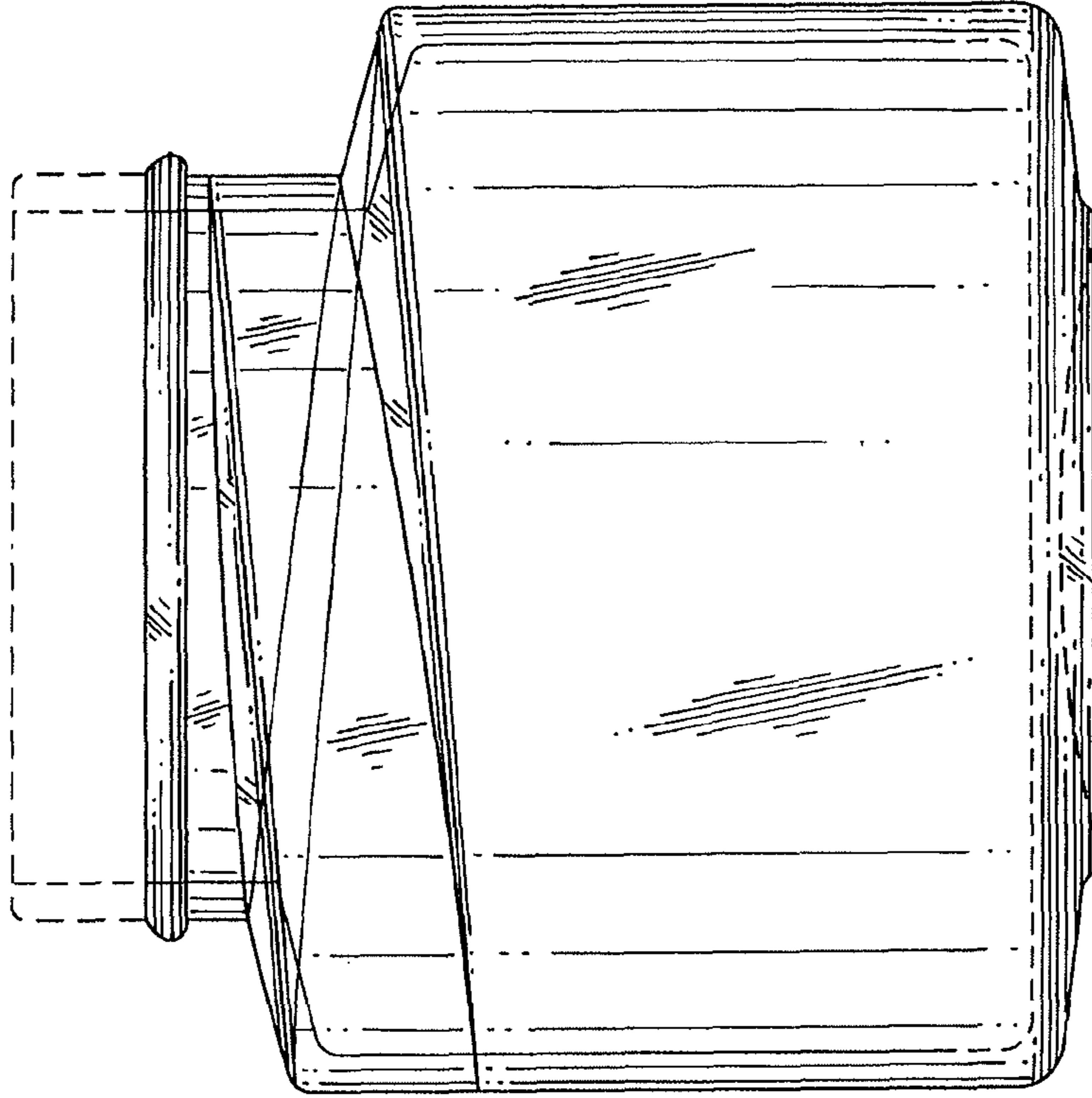


FIG. 4

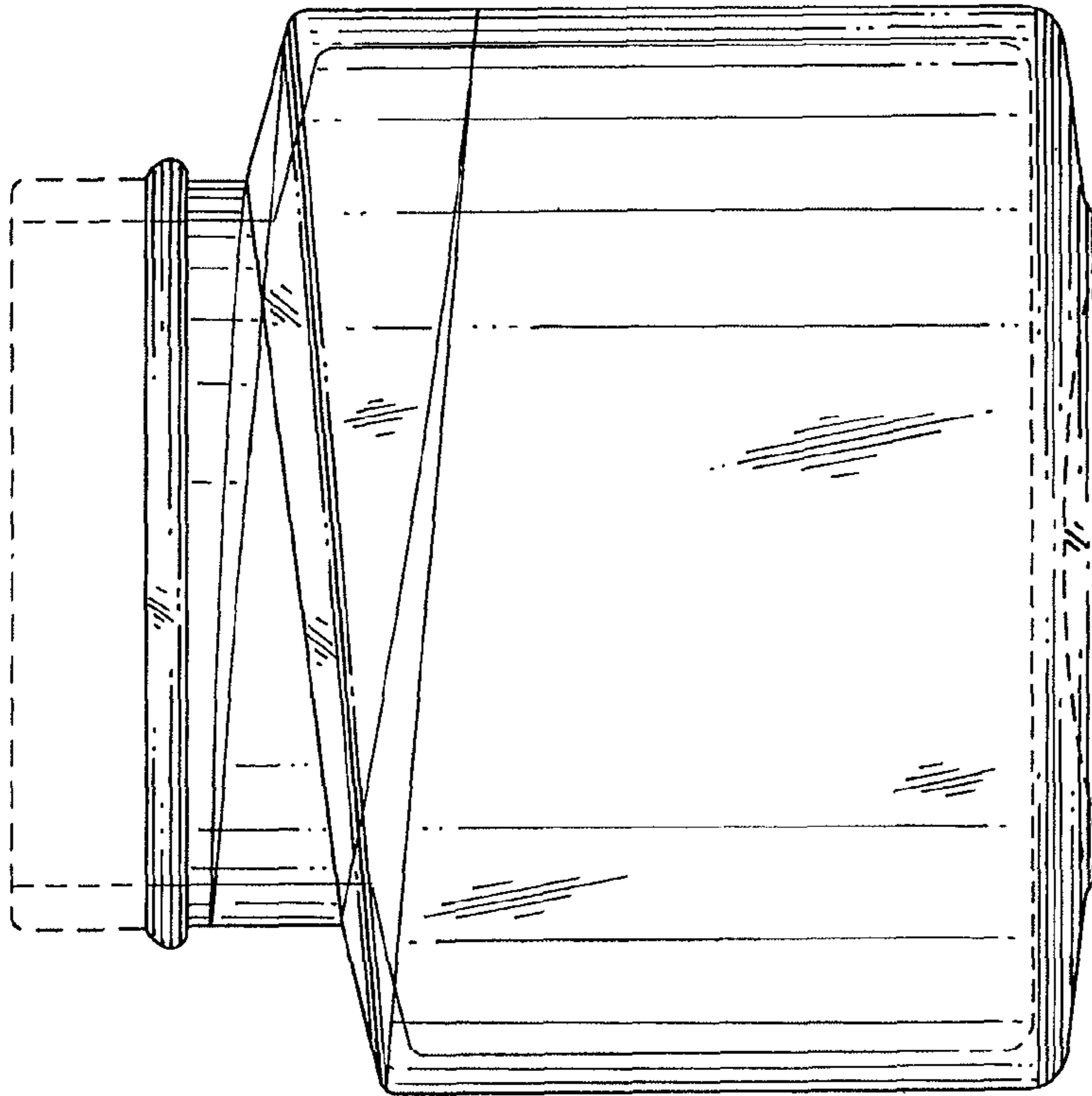


FIG. 3

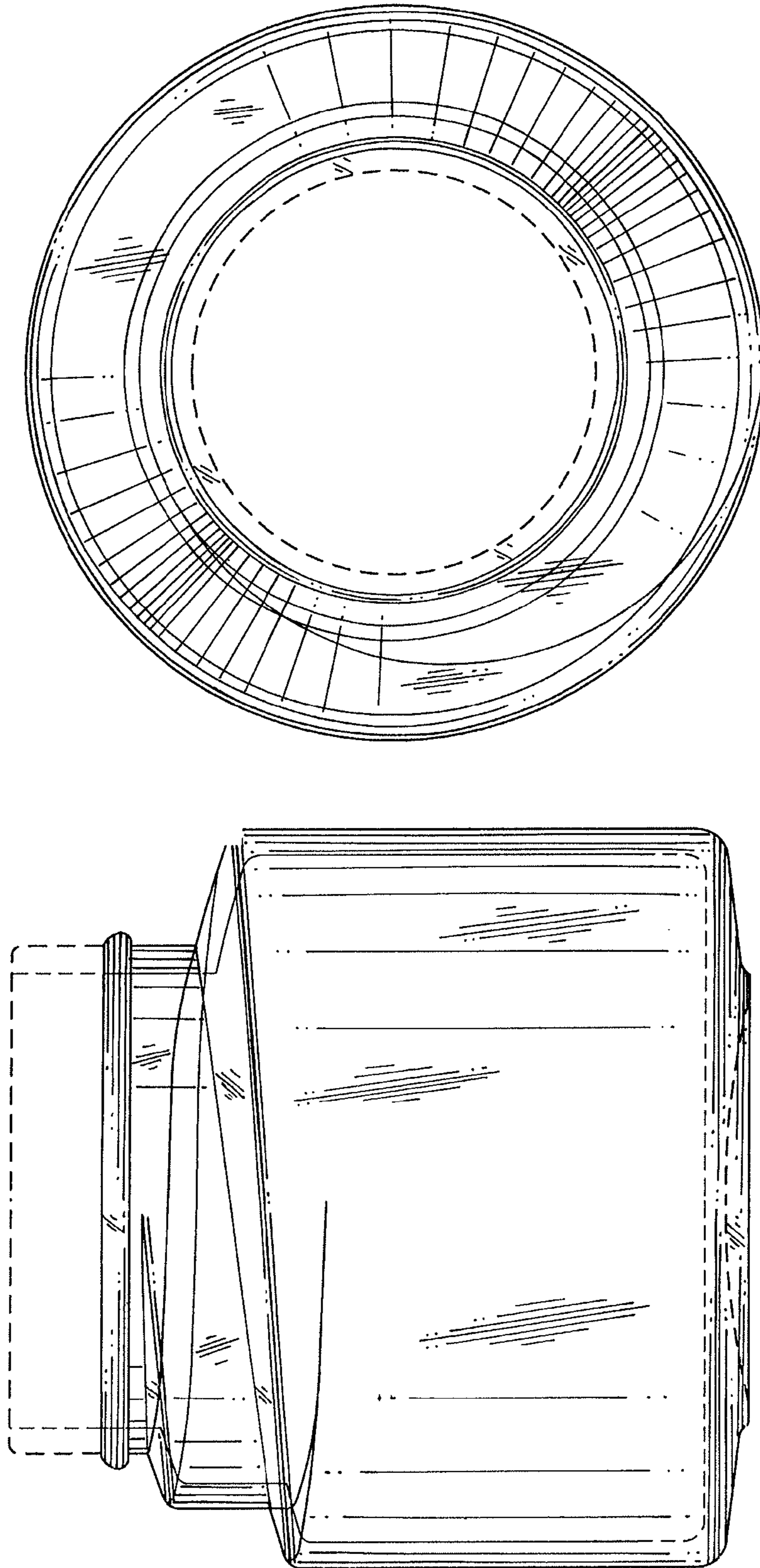


FIG. 6

FIG. 5