



US00D675920S

(12) **United States Design Patent**
Sill

(10) **Patent No.:** **US D675,920 S**

(45) **Date of Patent:** **** Feb. 12, 2013**

(54) **WINDOWED CLOSEABLE CARTON**

(75) Inventor: **Jonathan D. Sill**, Powell, OH (US)

(73) Assignee: **Inno-Pak, LLC**, Delaware, OH (US)

(**) Term: **14 Years**

(21) Appl. No.: **29/415,662**

(22) Filed: **Mar. 13, 2012**

(51) **LOC (9) Cl.** **09-03**

(52) **U.S. Cl.** **D9/432**

(58) **Field of Classification Search** D9/414,
D9/416, 418, 420–424, 430–433; D3/272;
206/267, 269, 270, 273, 299, 421, 454, 457,
206/737, 740, 822, 775–778, 784; 229/100,
229/101, 101.3, 106, 108–122, 221, 222,
229/227, 902, 939, 941, 942

See application file for complete search history.

(56) **References Cited**

U.S. PATENT DOCUMENTS

D73,127 S *	7/1927	Greve	D9/421
D259,615 S *	6/1981	Morris, Jr.	D7/605
D329,376 S *	9/1992	Burd	D9/418
5,411,204 A	5/1995	DeMay		
D467,798 S *	12/2002	Cohon	D9/418
D495,251 S *	8/2004	Zack	D9/431
D519,366 S *	4/2006	Epstein	D9/431
D542,129 S *	5/2007	Moorman	D9/431
D562,125 S *	2/2008	Kienemund-Paroll	D9/418
D630,508 S *	1/2011	Hubbard et al.	D9/433
D631,741 S *	2/2011	Hubbard et al.	D9/433
D631,743 S *	2/2011	Hubbard et al.	D9/433
2004/0182916 A1 *	9/2004	Roseth	229/155
2008/0269034 A1 *	10/2008	Stier	493/52

* cited by examiner

Primary Examiner — Robert M Spear

Assistant Examiner — Vy Koenig

(74) *Attorney, Agent, or Firm* — Ward and Smith, P.A.

(57) **CLAIM**

The ornamental design for a windowed closeable carton, as shown and described.

DESCRIPTION

FIG. 1 is a perspective view of a windowed closeable carton showing my new design;

FIG. 2 is a right side elevation view thereof;

FIG. 3 is a left side elevation view thereof;

FIG. 4 is a front elevation view thereof;

FIG. 5 is a rear elevation view thereof;

FIG. 6 is a top plan view thereof;

FIG. 7 is a bottom plan view thereof;

FIG. 8 is a cross-sectional view taken in the direction of line 8-8 of FIG. 6;

FIG. 9 is a cross-sectional view taken in the direction of line 9-9 of FIG. 6;

FIG. 10 is another perspective view thereof, showing the windowed closeable carton in an alternate open configuration;

FIG. 11 is another top plan view thereof, showing the windowed closeable carton in an alternate blank configuration.

FIG. 12 is a perspective view of another embodiment of a windowed closeable carton showing my new design, the right side elevation, left side elevation, bottom plan, and cross-section views being identical to those shown in FIGS. 2, 3, 7, 8 and 9 respectively;

FIG. 13 is a front elevation view thereof;

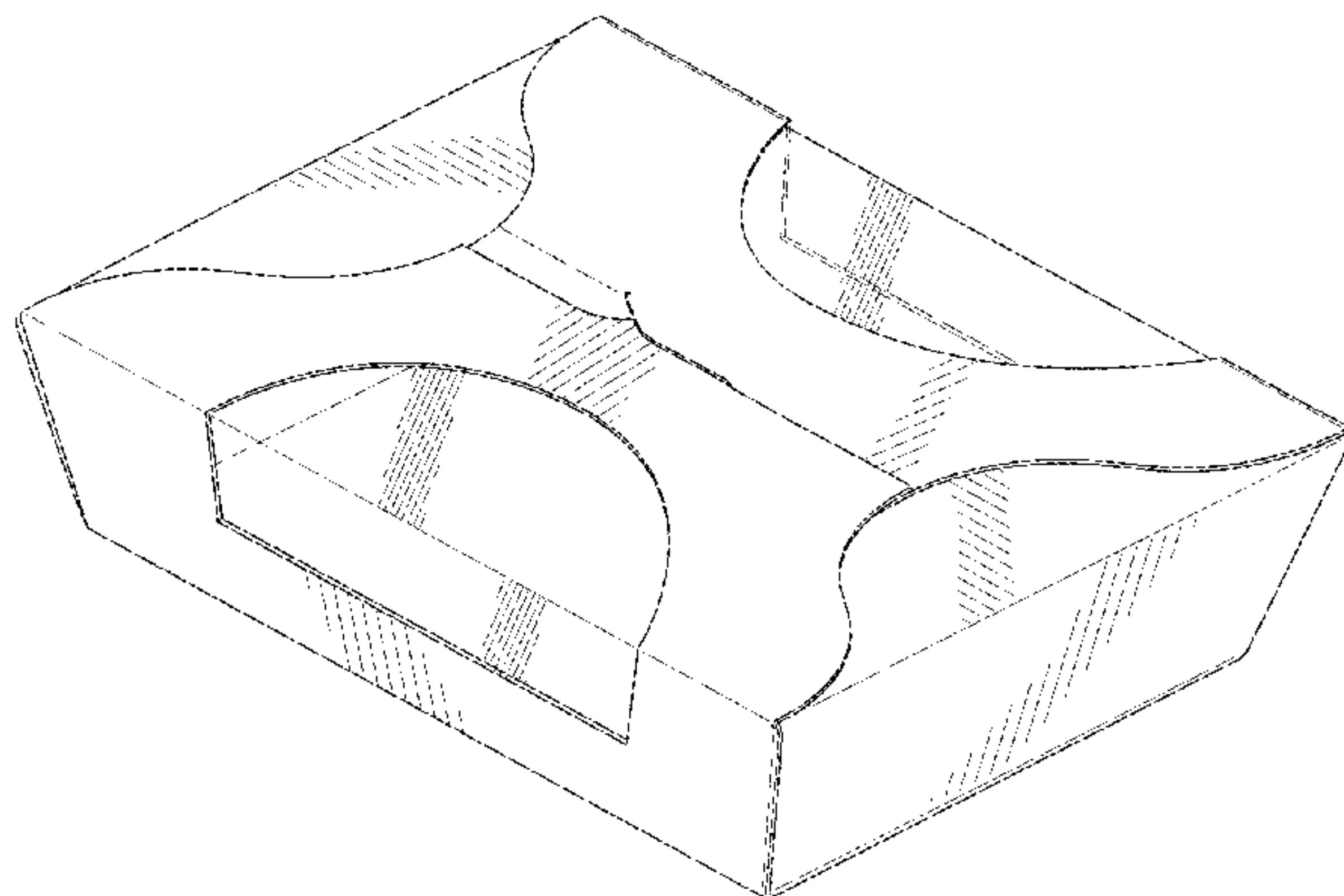
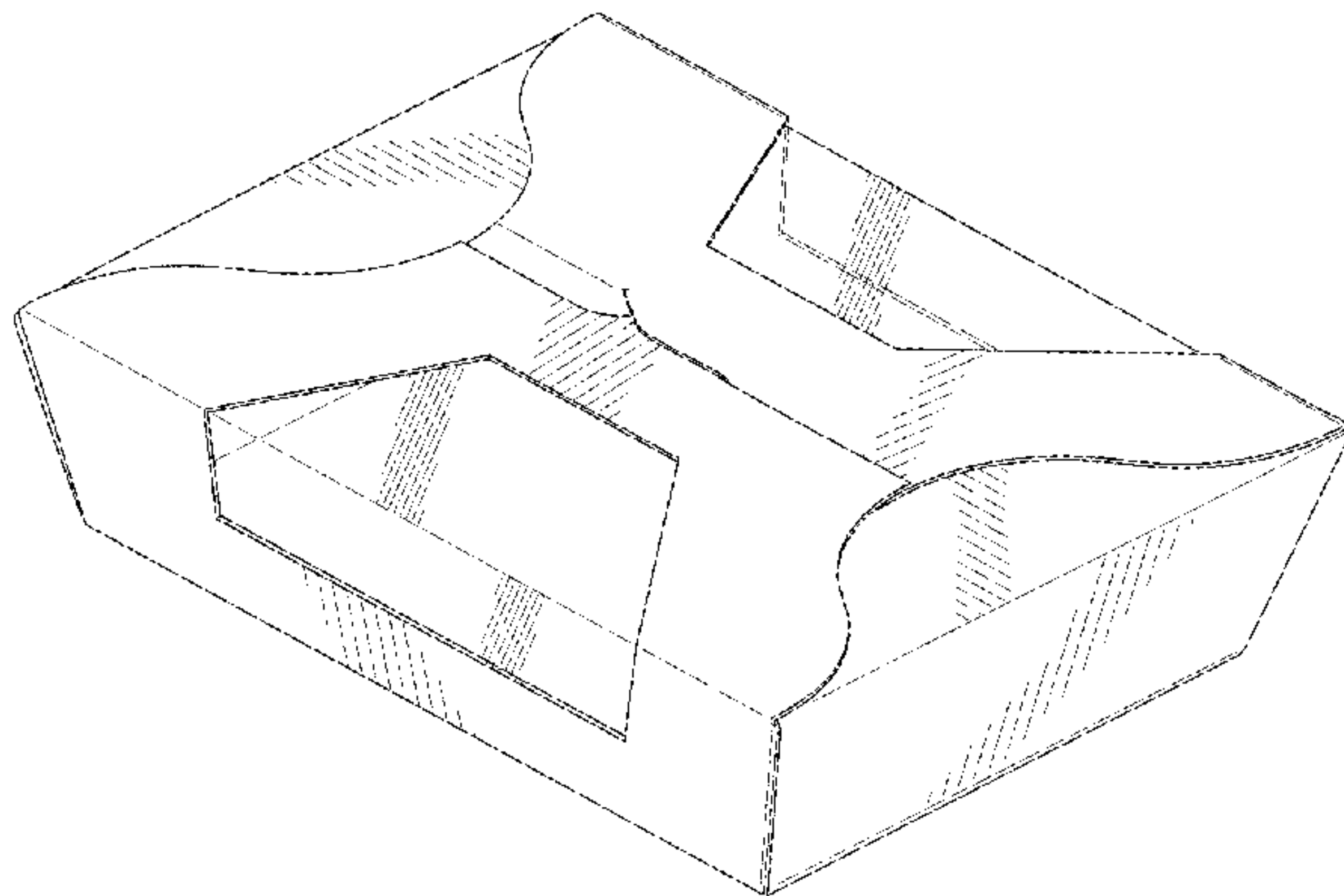
FIG. 14 is a rear elevation view thereof;

FIG. 15 is a top plan view thereof;

FIG. 16 is another perspective view thereof, showing the windowed closeable carton of FIG. 12 in an alternate open configuration; and,

FIG. 17 is another top plan view thereof, showing the windowed closeable carton of FIG. 12 in an alternate blank configuration.

1 Claim, 13 Drawing Sheets



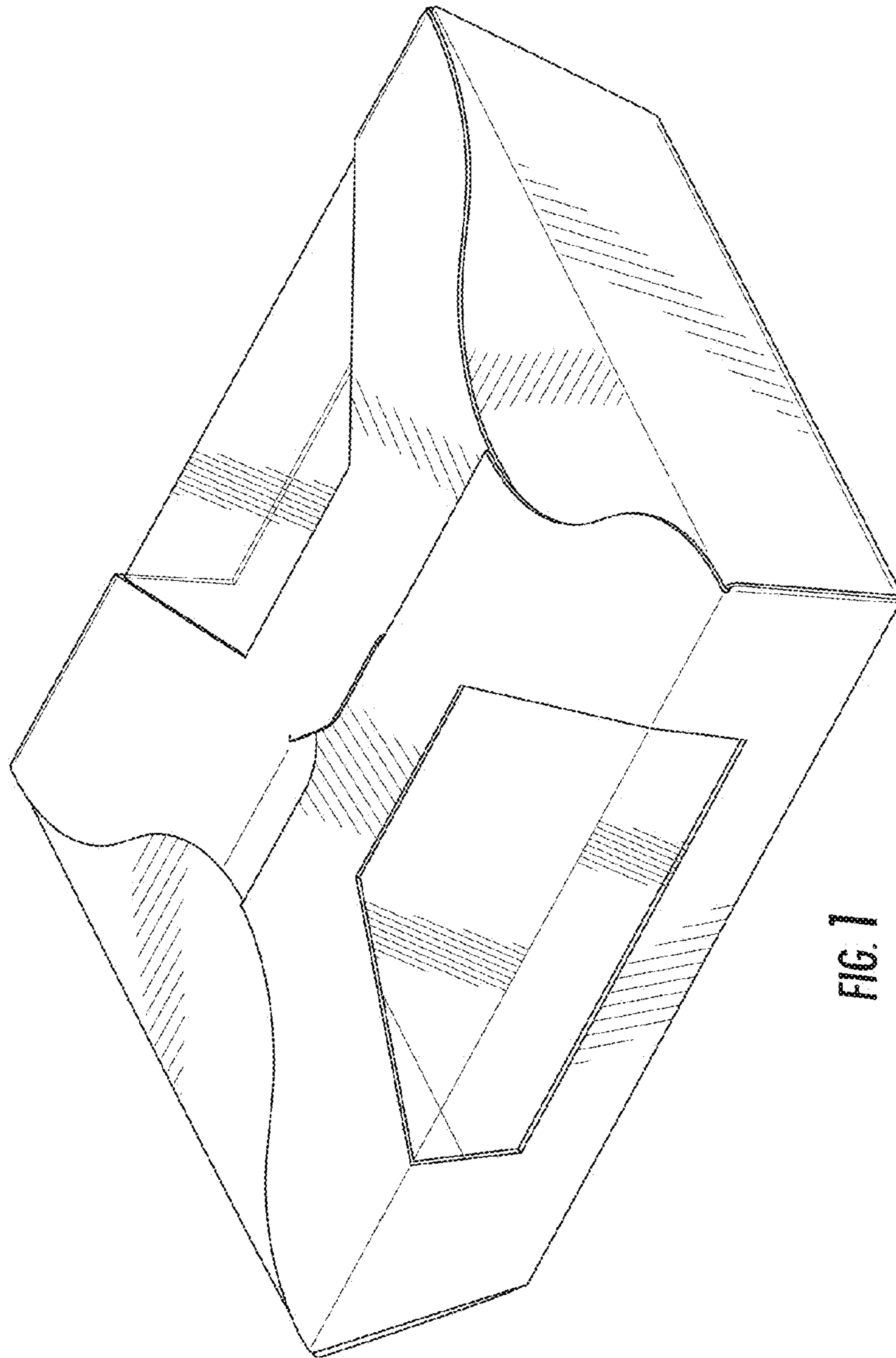


FIG. 1

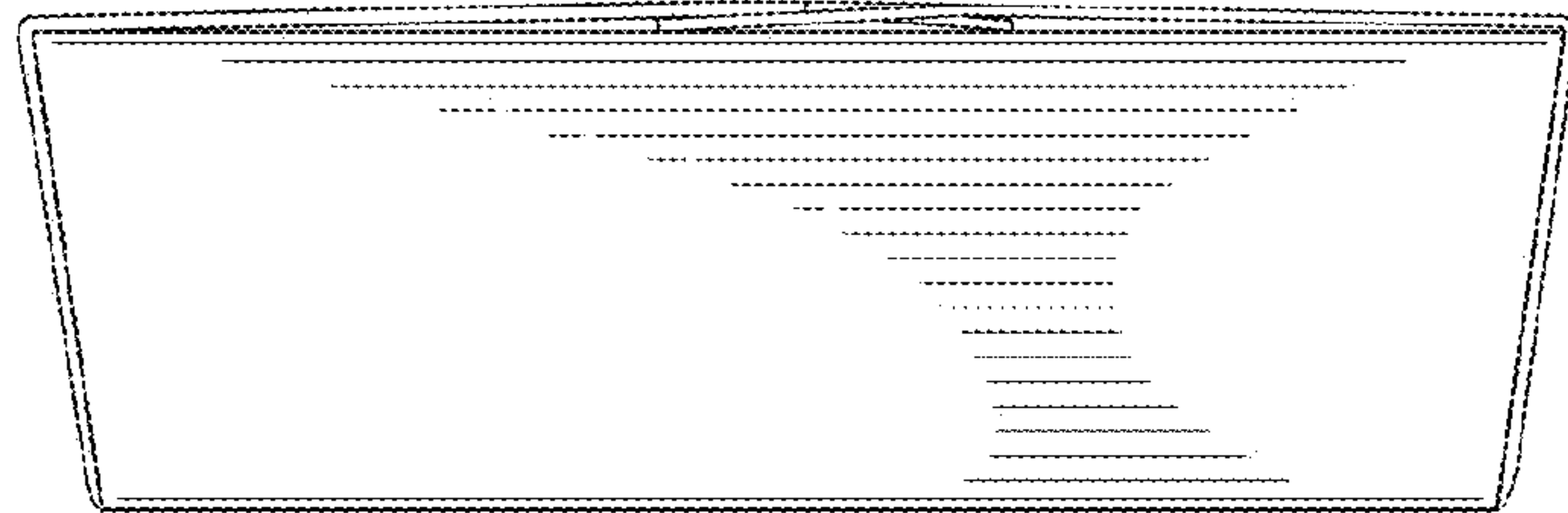


FIG. 2

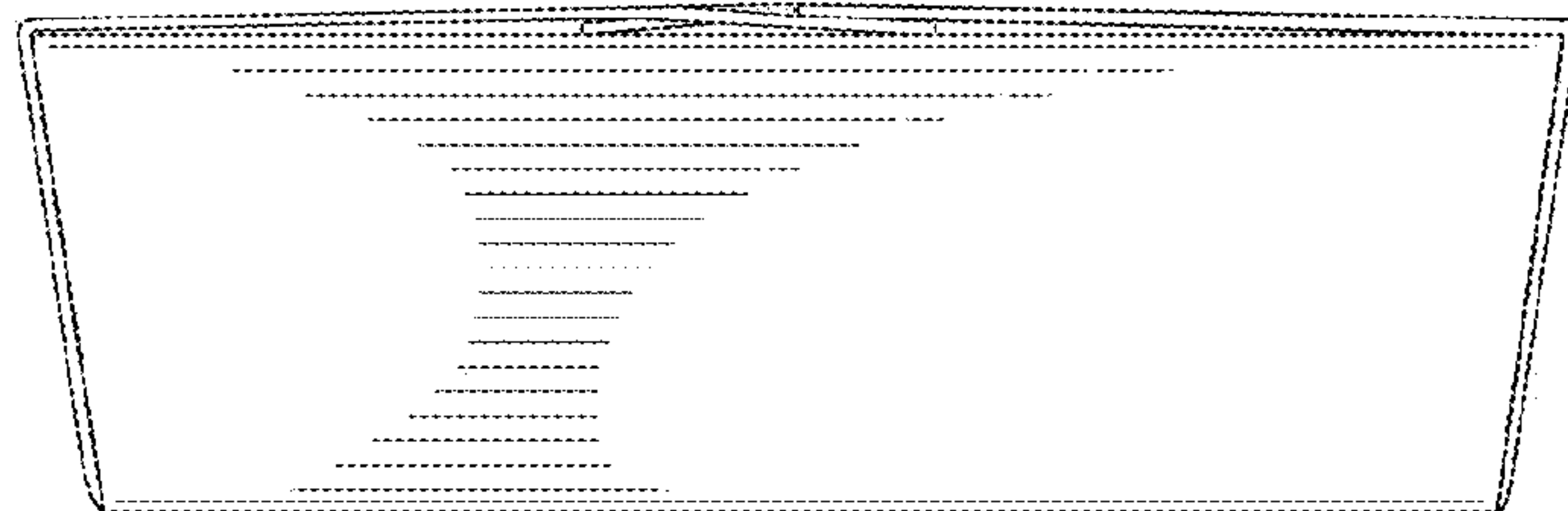


FIG. 3

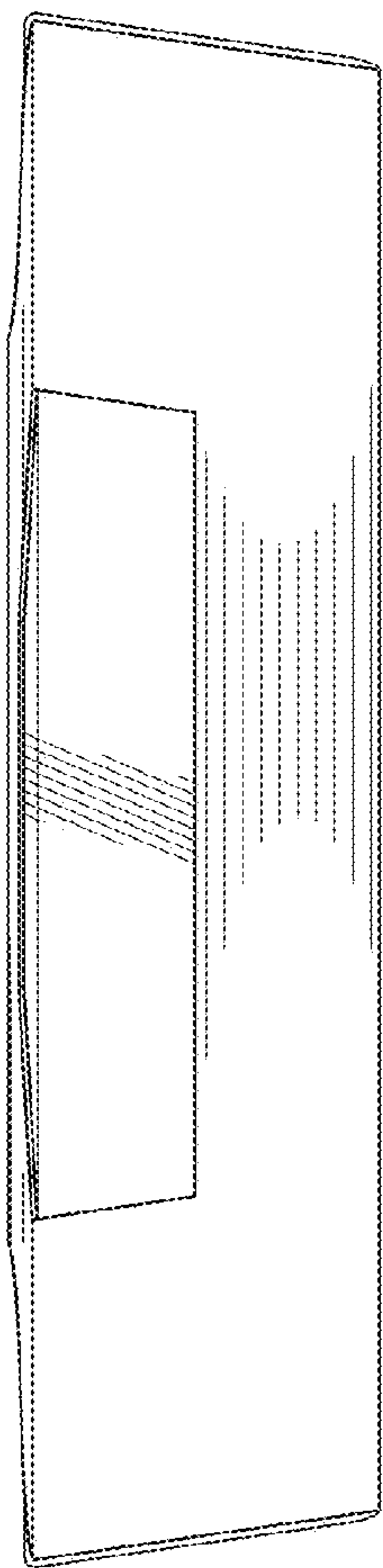


FIG. 4

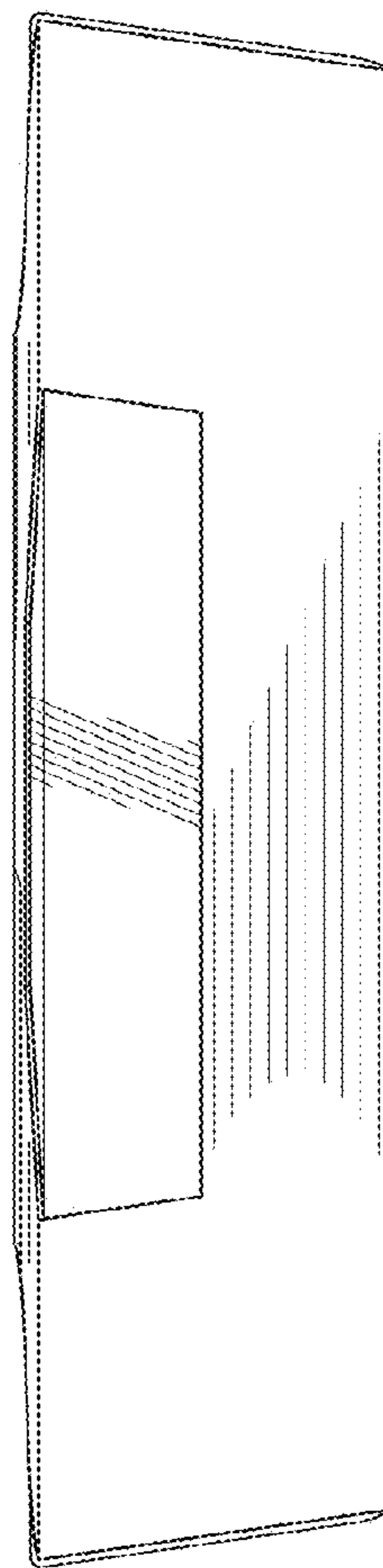


FIG. 5

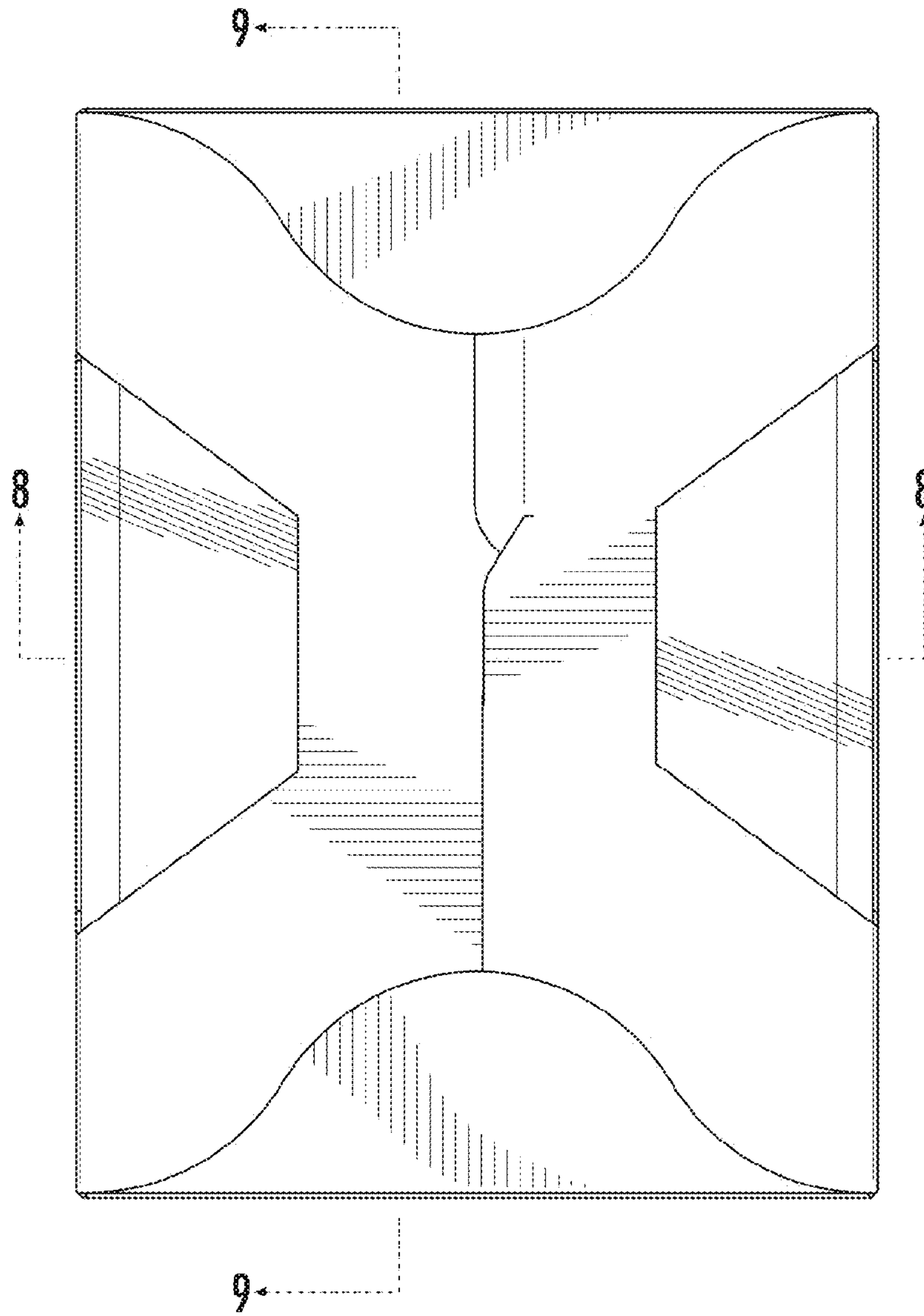


FIG. 6

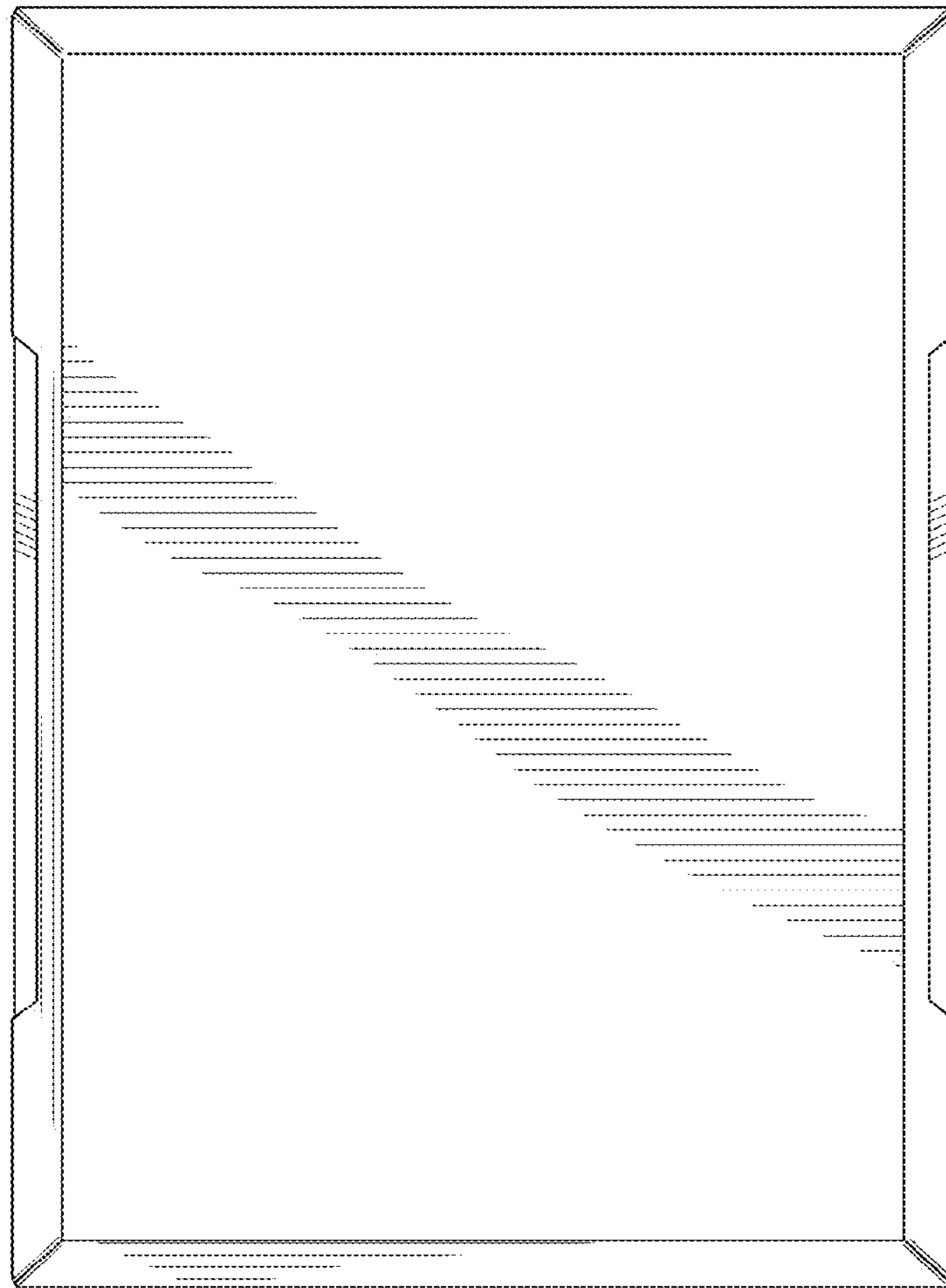


FIG. 7

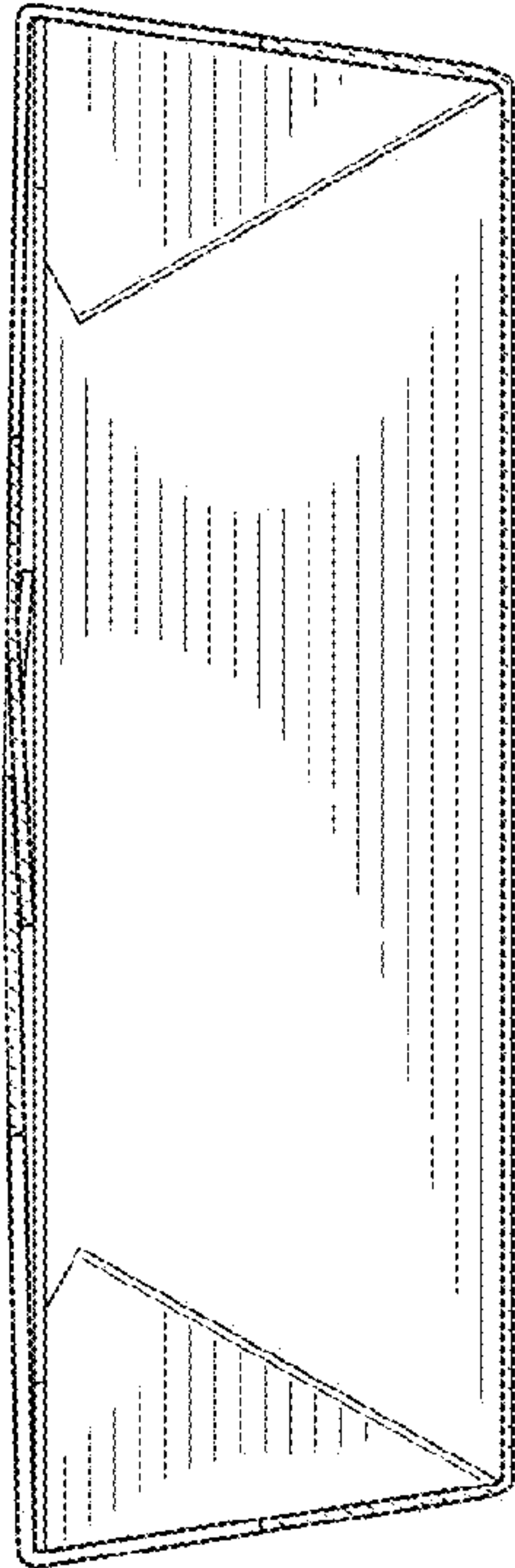


FIG. 8

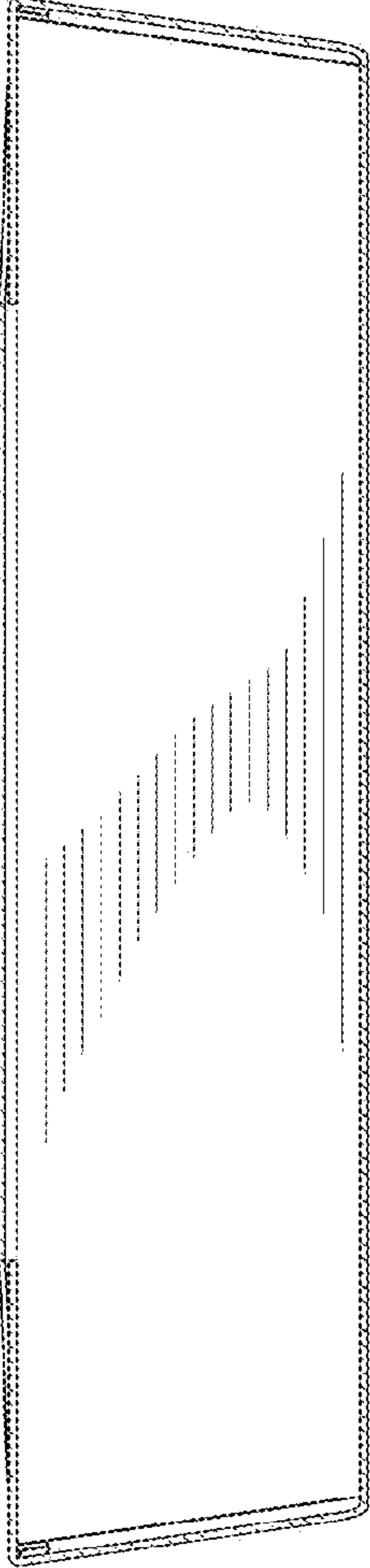


FIG. 9

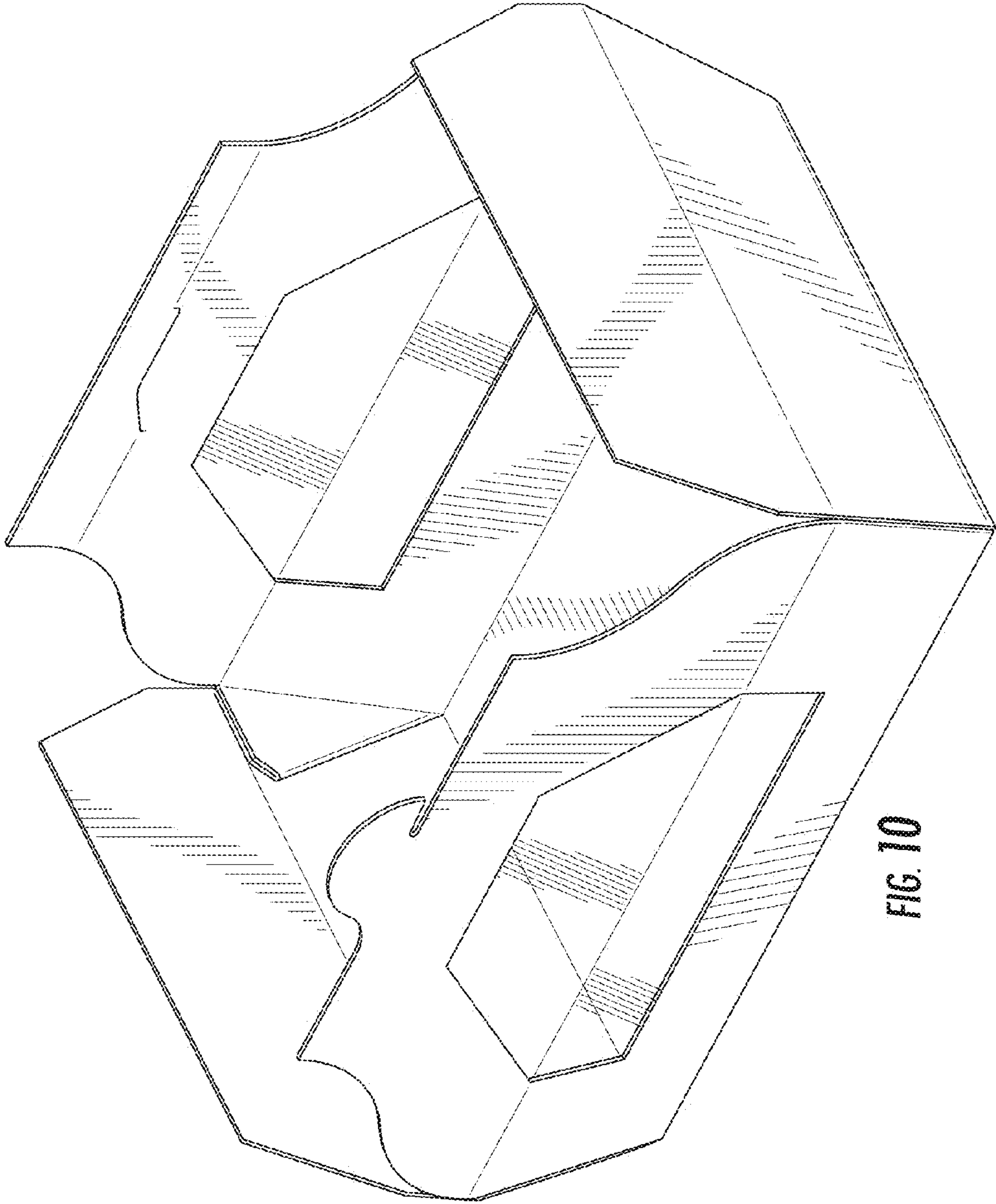


FIG. 10

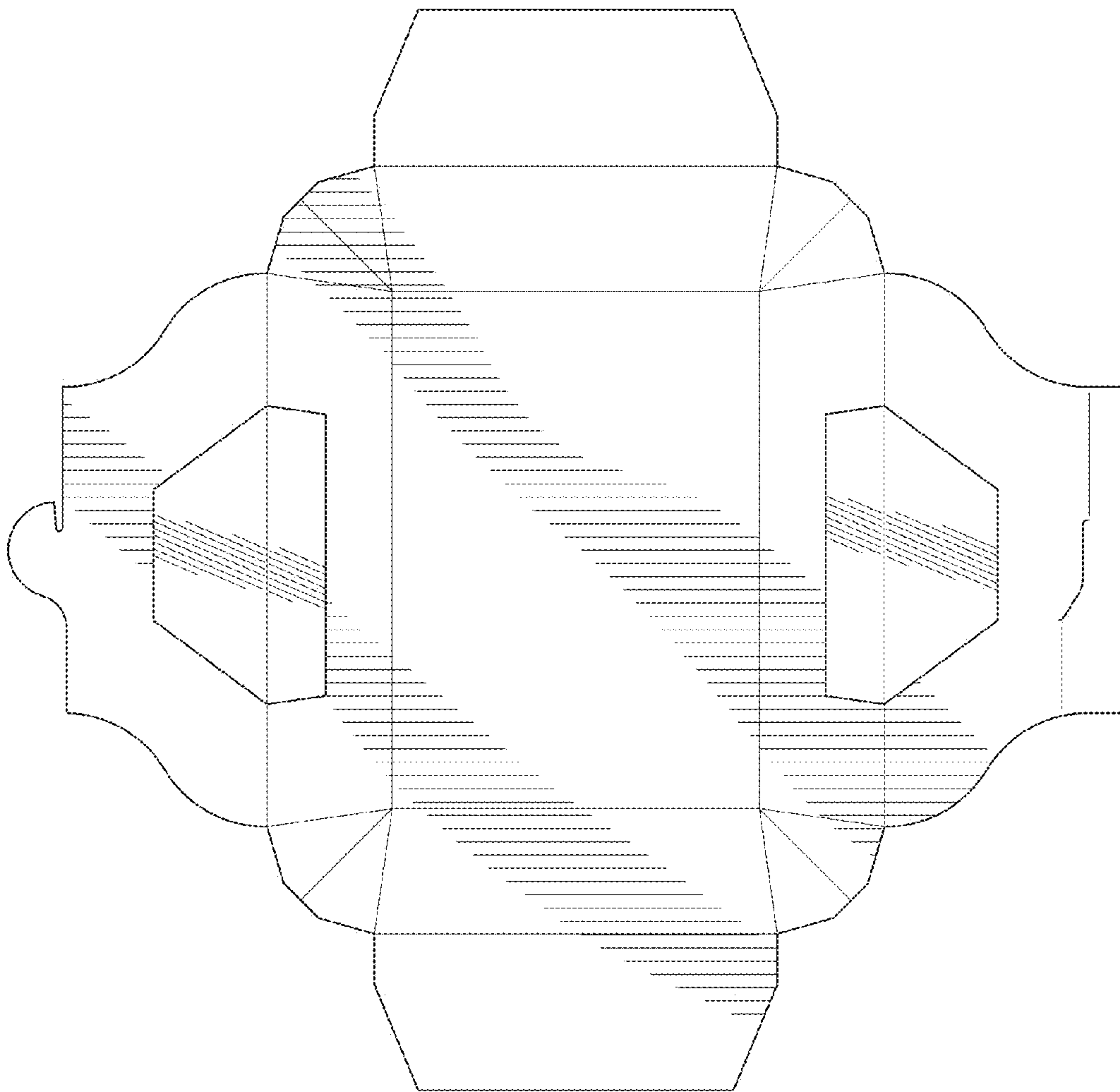


FIG. 11

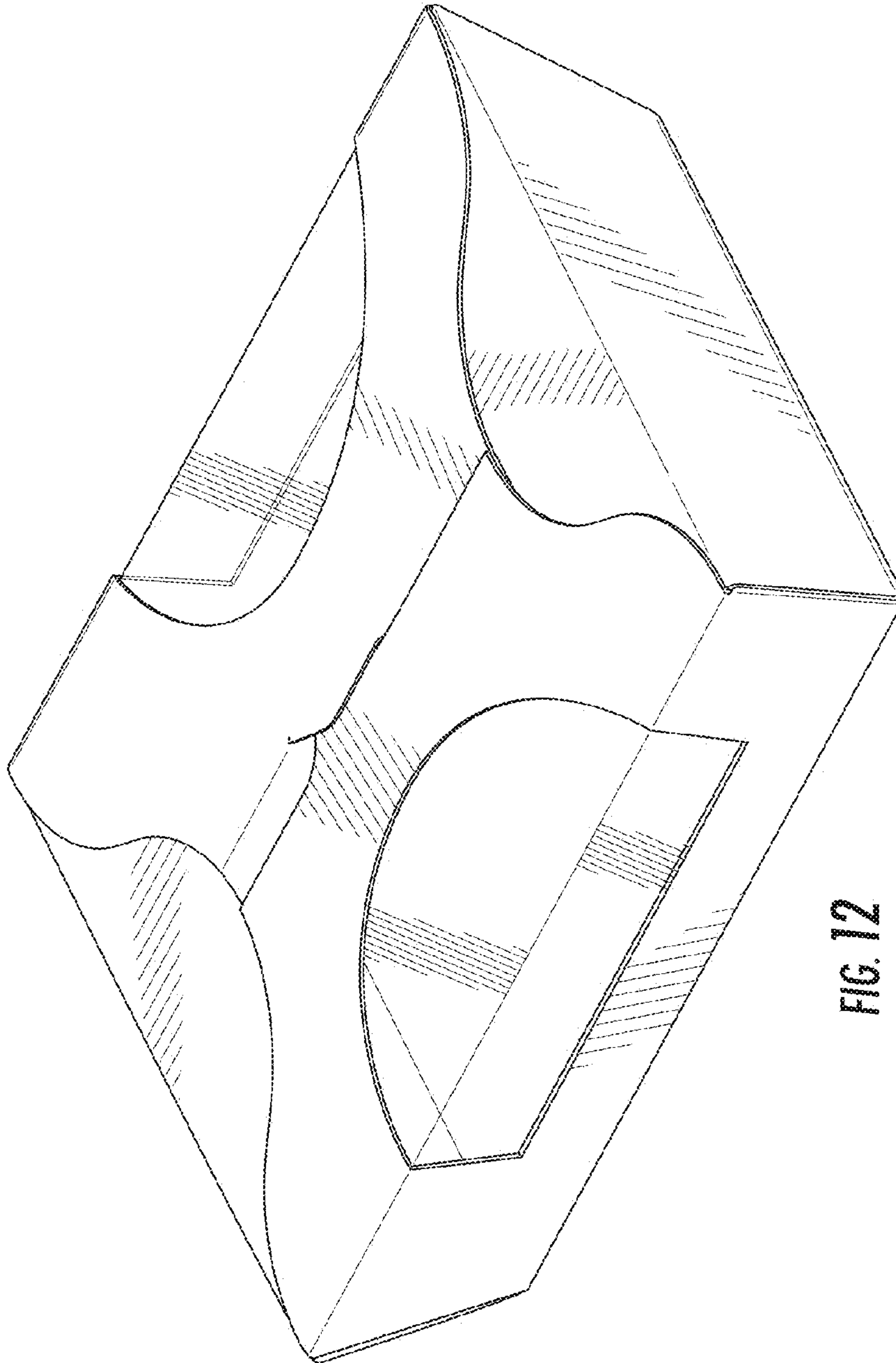


FIG. 12

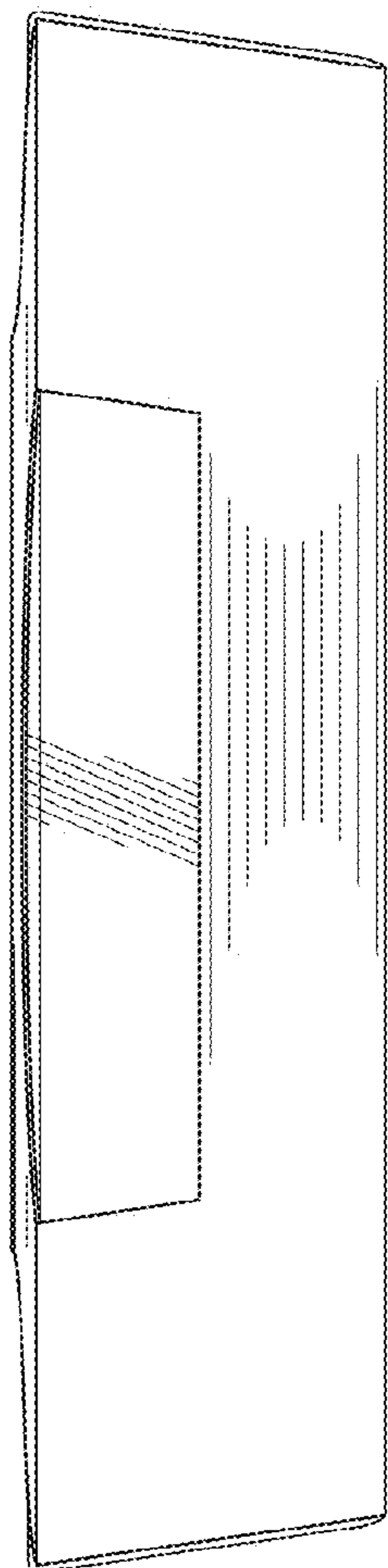


FIG. 13

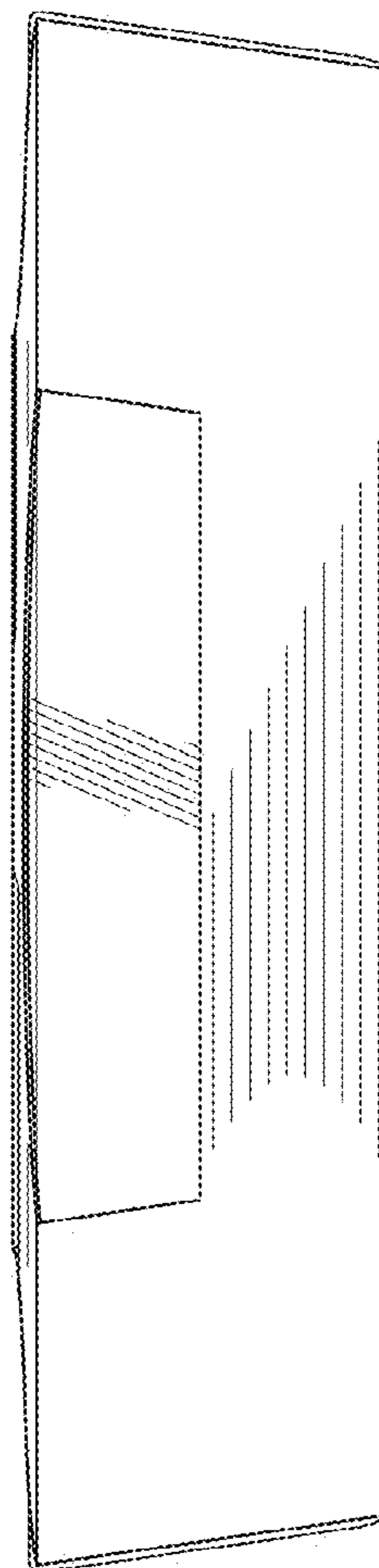


FIG. 14

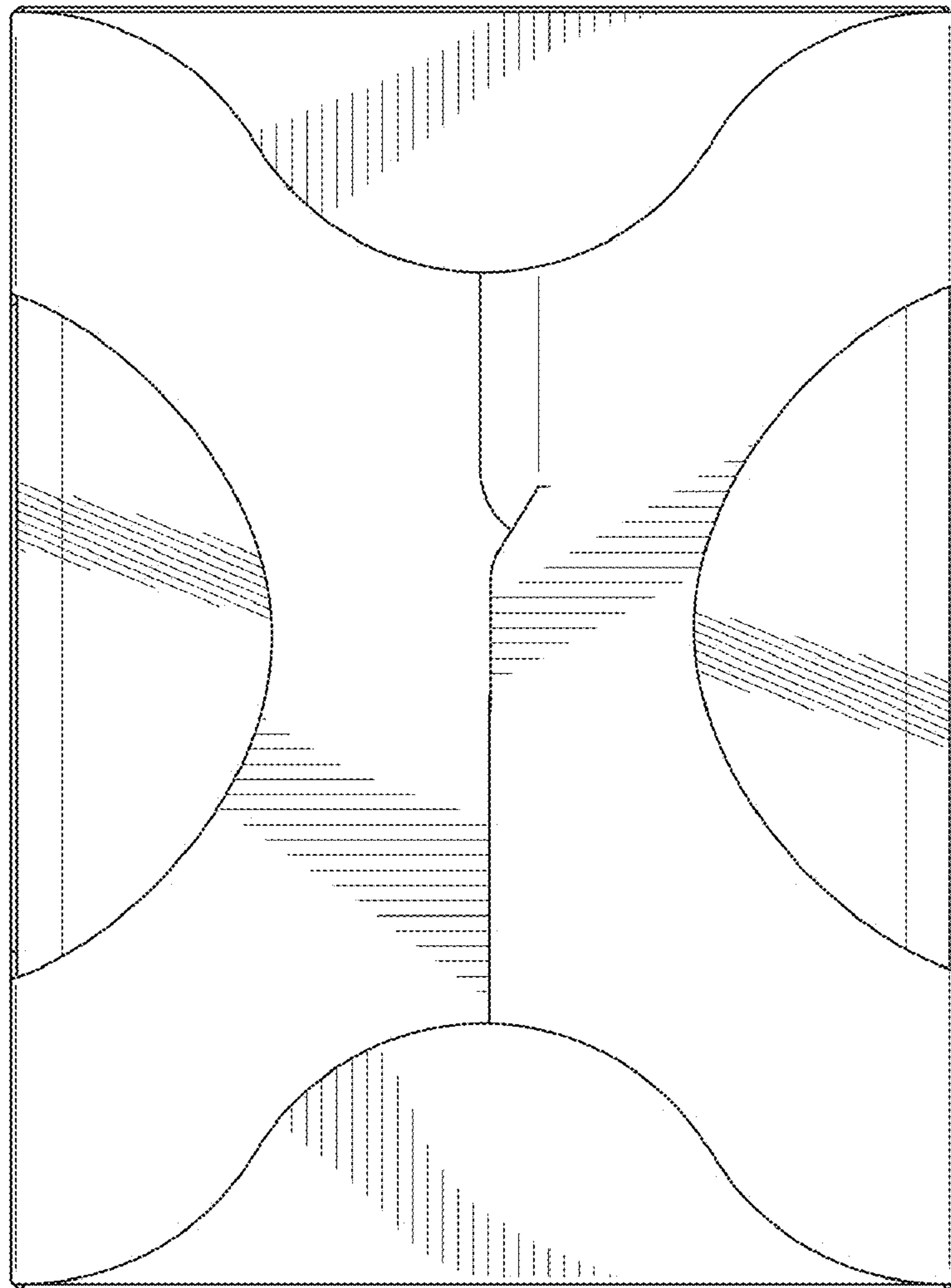


FIG. 15

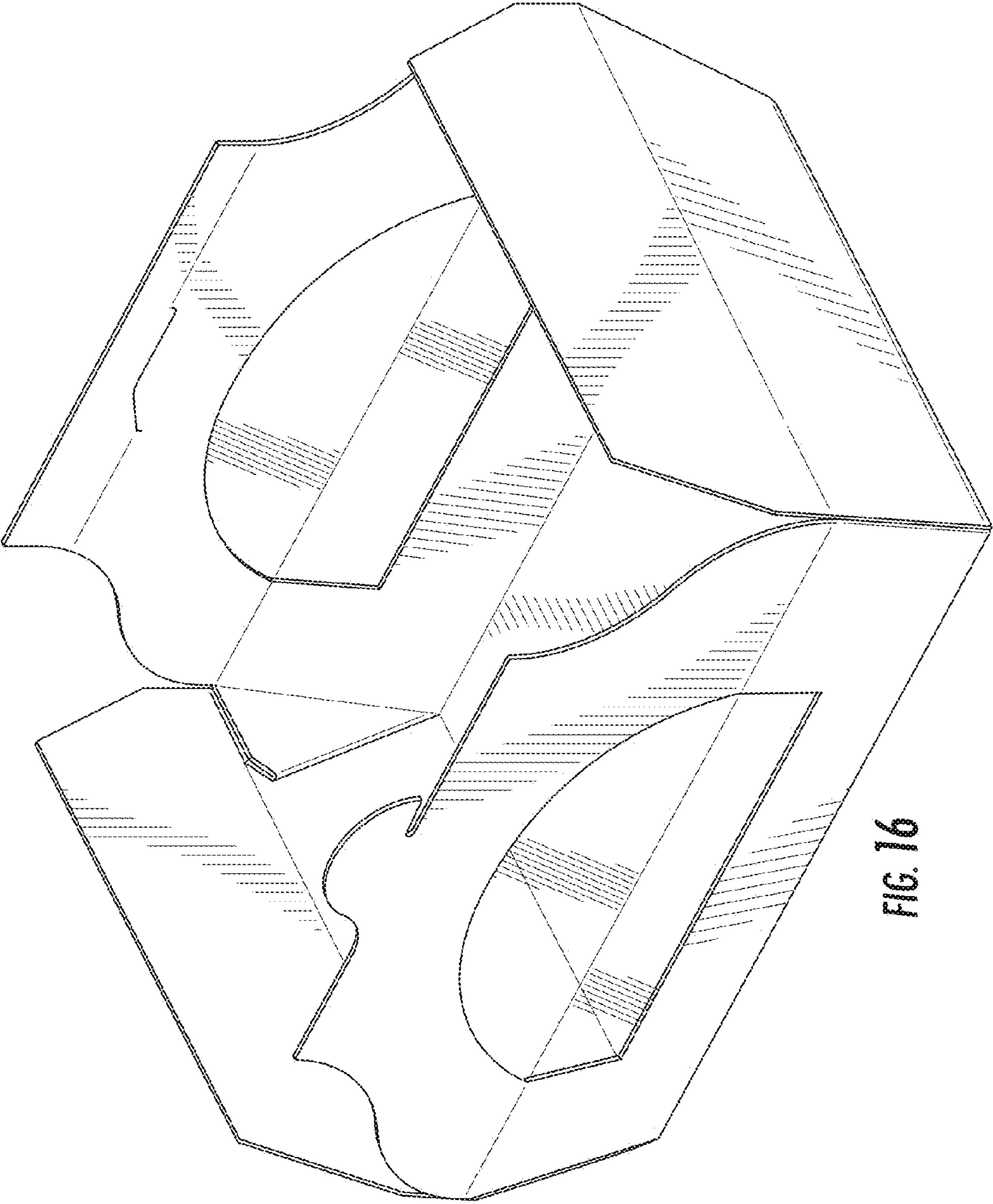


FIG. 16

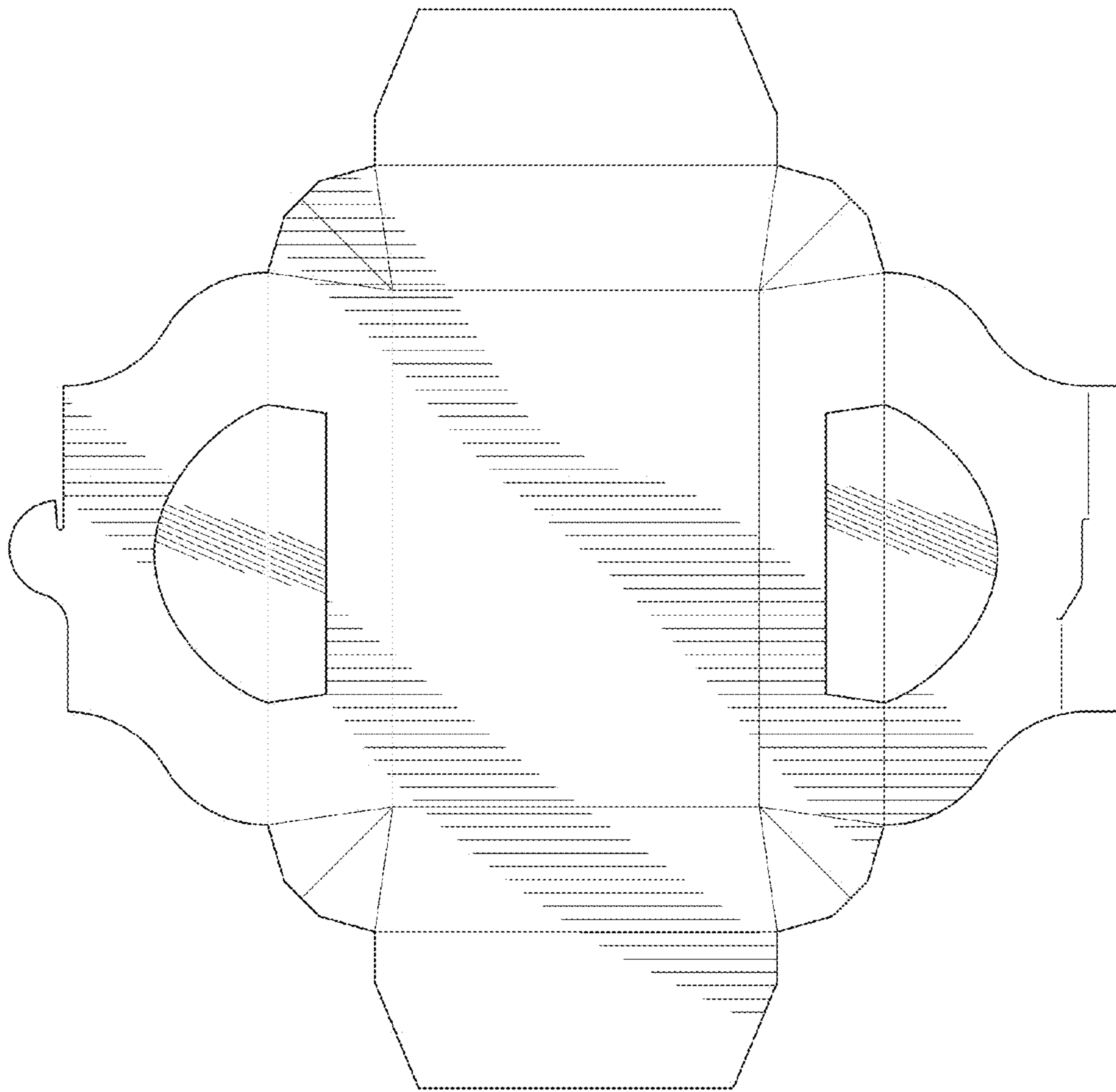


FIG. 17