



US00D675918S

(12) **United States Design Patent**  
**Holford**

(10) **Patent No.:** **US D675,918 S**

(45) **Date of Patent:** **\*\* Feb. 12, 2013**

(54) **CIGARETTE PACKET**

(75) Inventor: **Steven Holford**, Southampton (GB)

(73) Assignee: **British American Tobacco (Investments) Limited**, London (GB)

(\*\*) Term: **14 Years**

(21) Appl. No.: **29/390,708**

(22) Filed: **Apr. 28, 2011**

(30) **Foreign Application Priority Data**

Oct. 28, 2010 (WO) ..... DM/074 692

(51) **LOC (9) Cl.** ..... **09-03**

(52) **U.S. Cl.** ..... **D9/423**

(58) **Field of Classification Search** ..... D9/414,  
D9/416, 420, 421, 423, 426, 430, 432; 206/236-241,  
206/249-251, 254-259, 261-275; 229/160.1;  
D27/185-192

See application file for complete search history.

(56) **References Cited**

U.S. PATENT DOCUMENTS

D441,496	S *	5/2001	Focke et al.	.....	D27/189
D448,888	S *	10/2001	Focke et al.	.....	D27/189
6,343,691	B1 *	2/2002	Focke et al.	.....	206/268
D472,013	S *	3/2003	Conti et al.	.....	D27/189
D510,777	S *	10/2005	Engel	.....	D27/189
D551,969	S *	10/2007	Aurilio et al.	.....	D9/432
D613,903	S *	4/2010	Wu et al.	.....	D27/189
2005/0082178	A1 *	4/2005	Draghetti et al.	.....	206/242
2006/0191986	A1 *	8/2006	Focke et al.	.....	229/146
2009/0084694	A1	4/2009	Agirbas		
2010/0059395	A1 *	3/2010	England	.....	206/259

FOREIGN PATENT DOCUMENTS

DE	1078934	B	3/1960
DE	102008061661	A1	6/2010
EP	0635437	A1	1/1995
EP	1441967	B1	10/2005
EP	2042444	A1	4/2009
WO	2005/082725	A1	9/2005
WO	2008/018662	A1	2/2008
WO	2009/157344	A1	12/2009
WO	2010/003697	A1	1/2010

OTHER PUBLICATIONS

International Search Report and Written Opinion, mailed Nov. 24, 2011, for PCT International Application No. PCT/EP2011/067147, filed Sep. 30, 2011.

\* cited by examiner

*Primary Examiner* — Thomas Johannes

(74) *Attorney, Agent, or Firm* — Cooley LLP

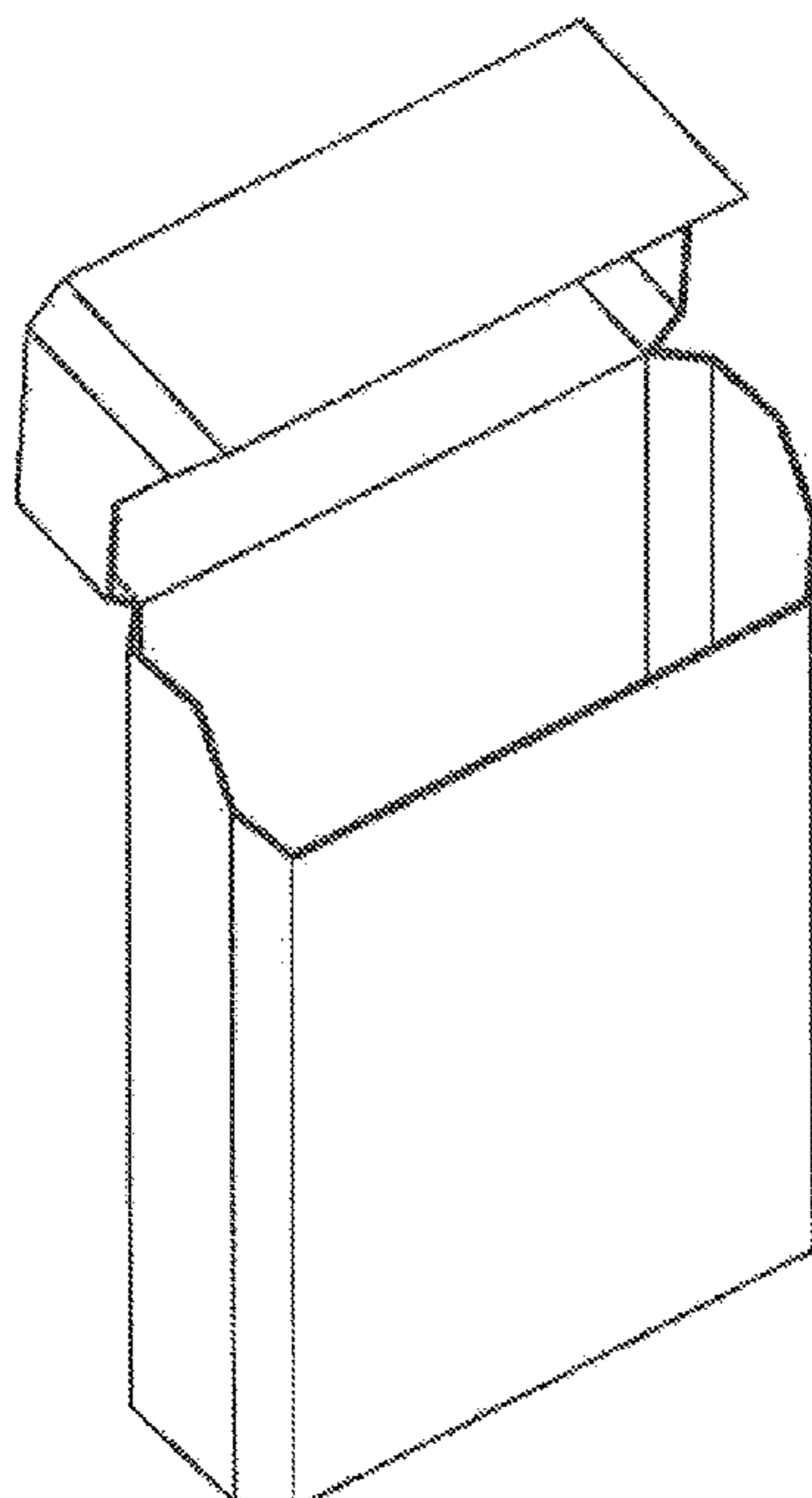
(57) **CLAIM**

The ornamental designs for a cigarette packet, as shown and described.

**DESCRIPTION**

FIG. 1 is a front view of a cigarette packet showing my new design;  
FIG. 2 is a left side view thereof;  
FIG. 3 is a right side view thereof;  
FIG. 4 is a top view thereof;  
FIG. 5 is a left side perspective view thereof;  
FIG. 6 is a rear view thereof; and,  
FIG. 7 is a bottom view thereof.  
The broken line portion of FIG. 6 shows claimed crease lines.

**1 Claim, 2 Drawing Sheets**



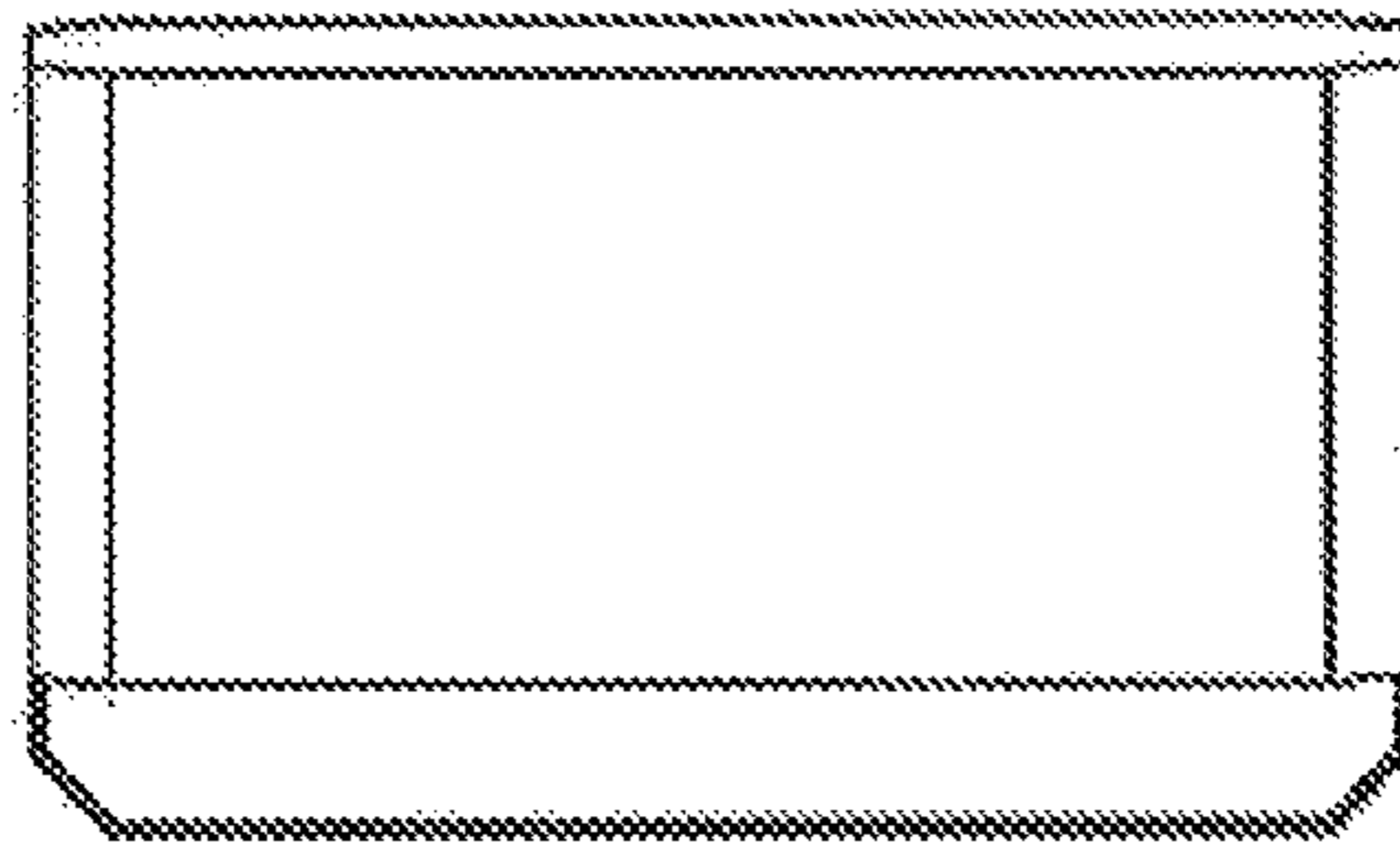


Fig. 4

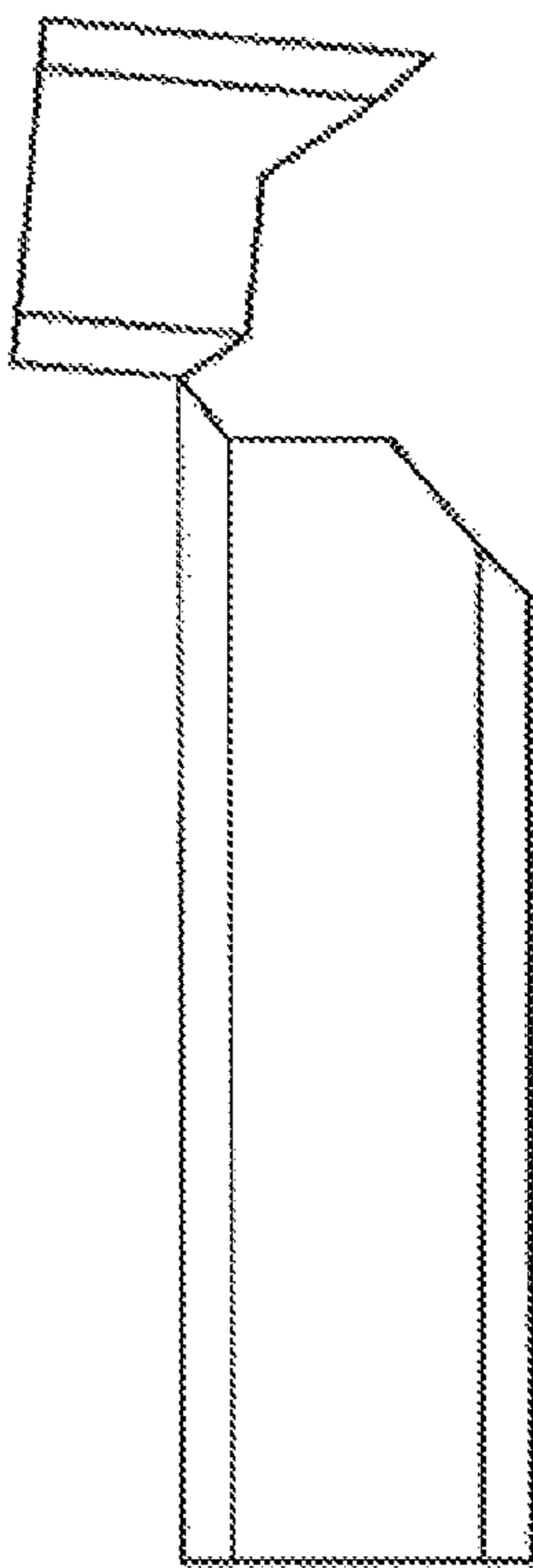


Fig. 2

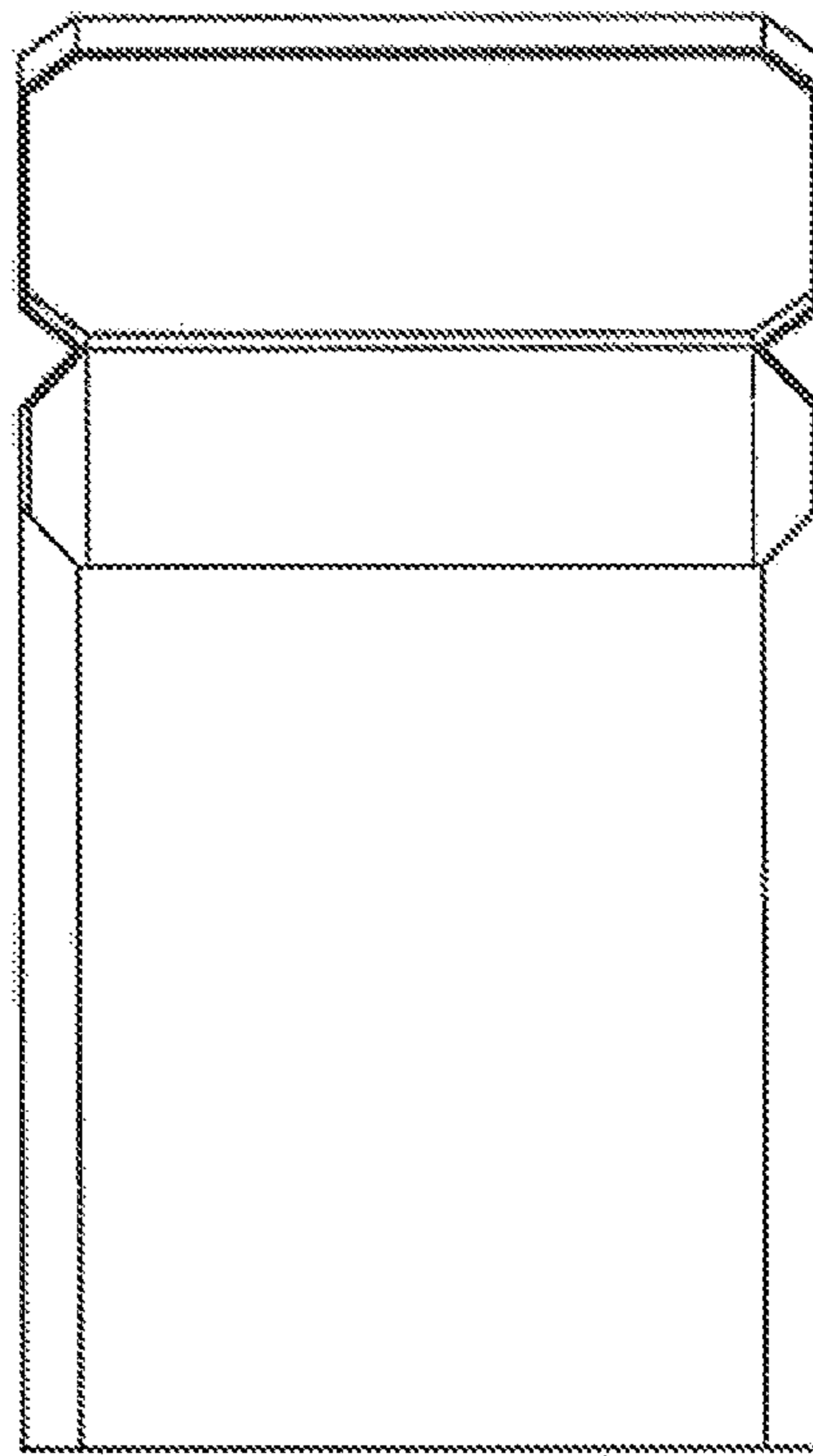


Fig. 1

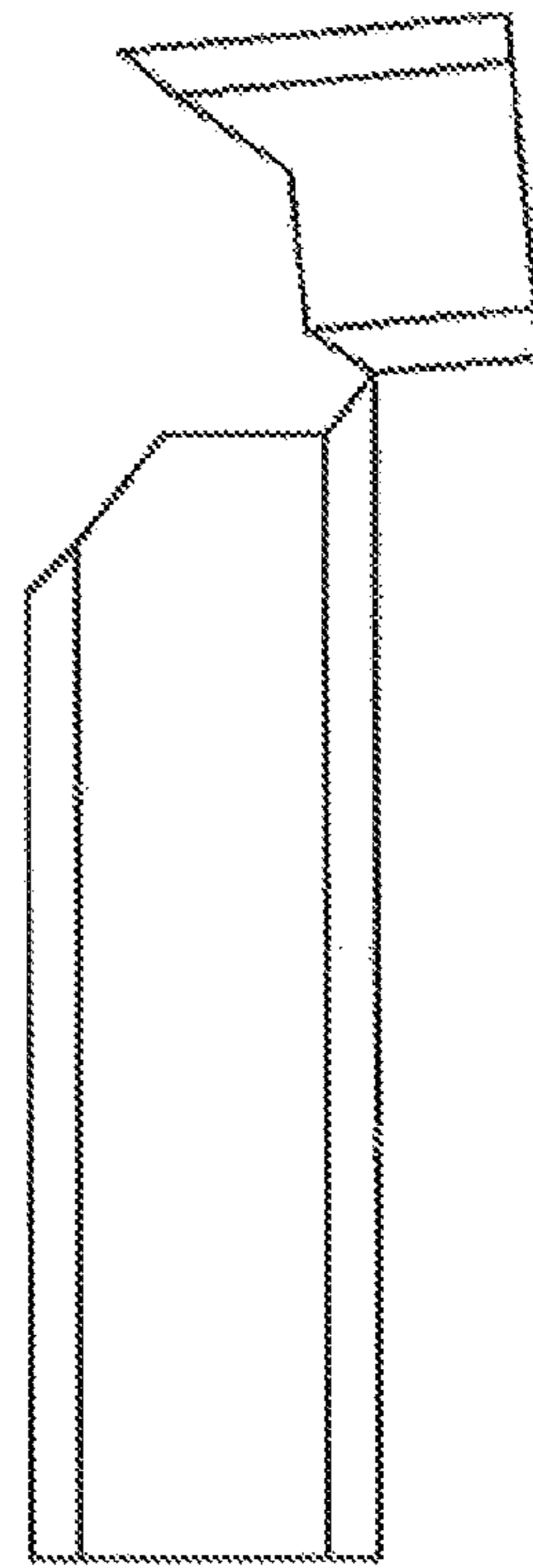


Fig. 3

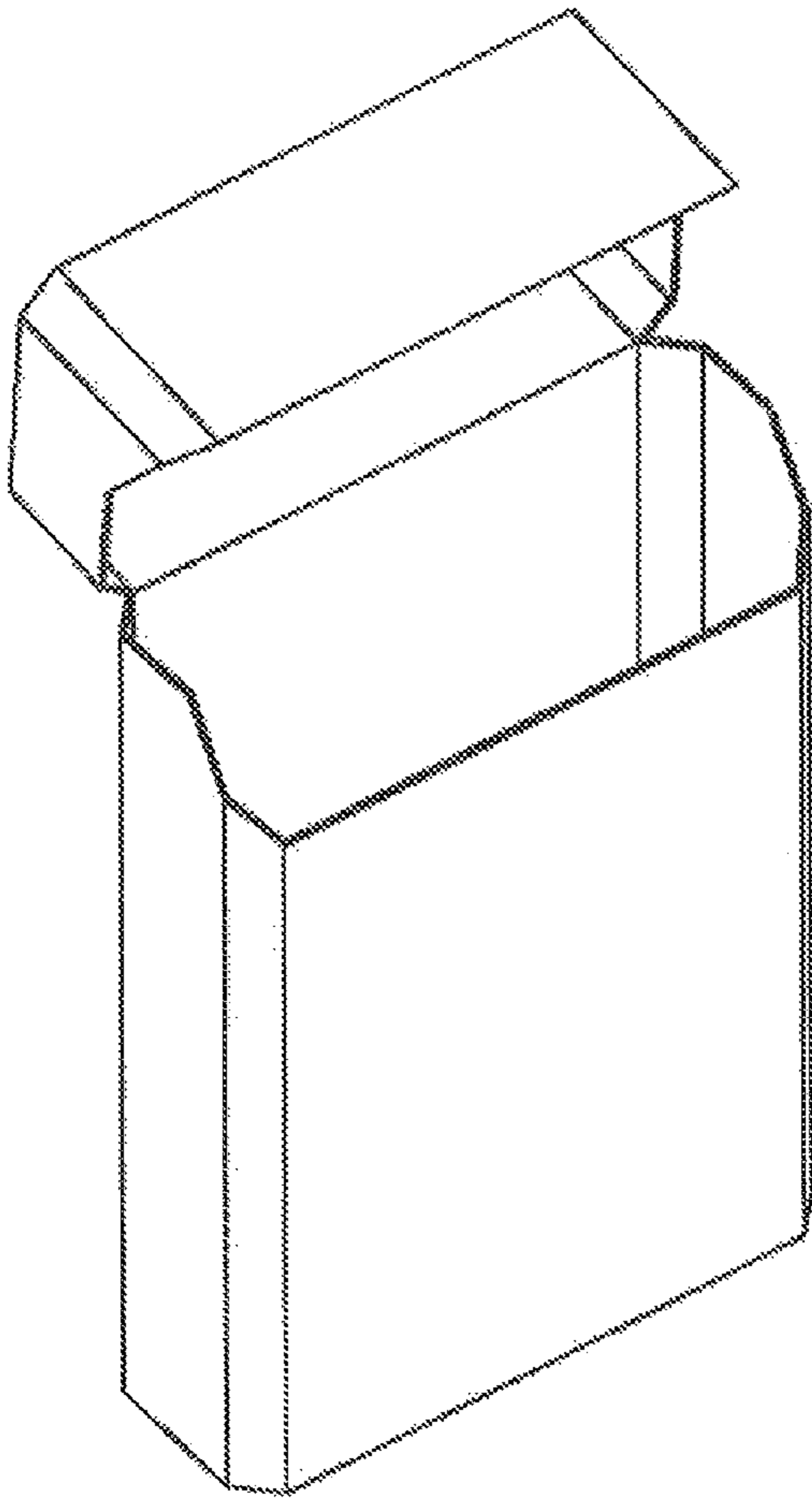


Fig. 5

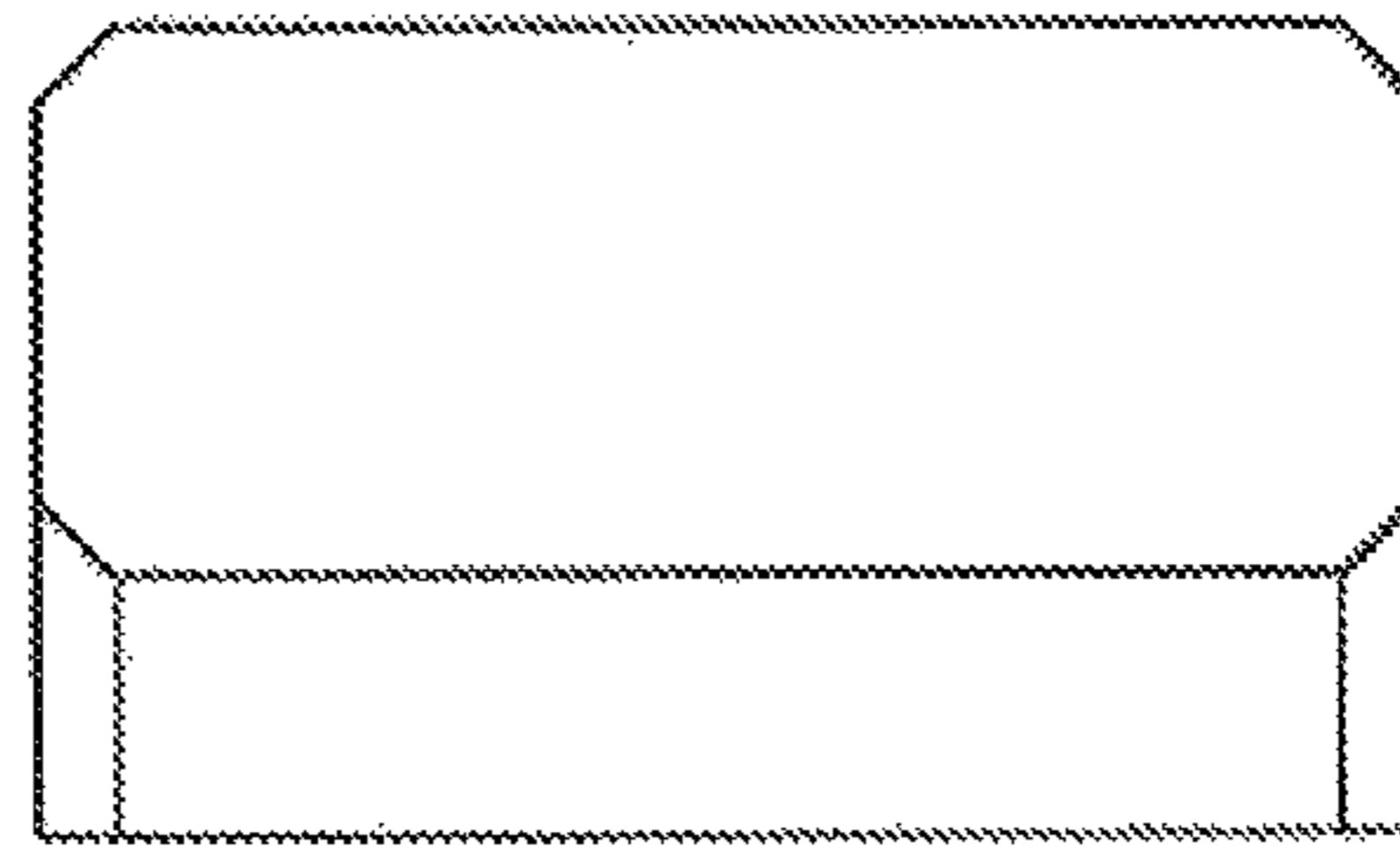


Fig. 7

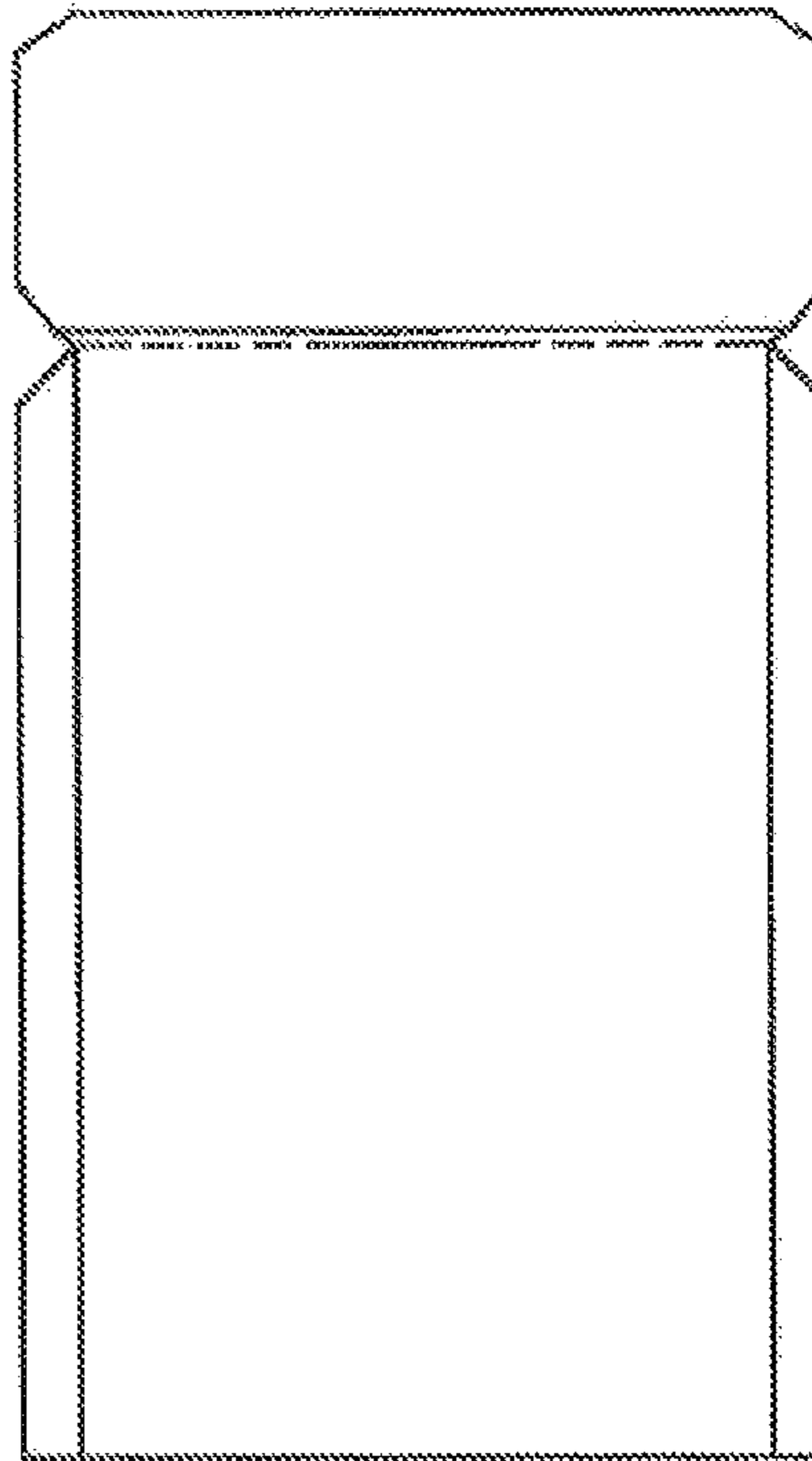


Fig. 6