



US00D675917S

(12) **United States Design Patent**
Holford

(10) **Patent No.:** **US D675,917 S**
(45) **Date of Patent:** **** Feb. 12, 2013**

(54) **CIGARETTE PACKET**

(75) Inventor: **Steven Holford**, Southampton (GB)
(73) Assignee: **British American Tobacco (Investments) Limited**, London (GB)
(**) Term: **14 Years**
(21) Appl. No.: **29/390,703**

FOREIGN PATENT DOCUMENTS

DE	1078934 B	3/1960
DE	102008061661 A1	6/2010
EP	0635437 A1	1/1995
EP	1441967 B1	10/2005
EP	2042444 A1	4/2009
WO	2005/082725 A1	9/2005
WO	2008/018662 A1	2/2008
WO	2009/157344 A1	12/2009
WO	2010/003697 A1	1/2010

(22) Filed: **Apr. 28, 2011**

(30) **Foreign Application Priority Data**

Oct. 28, 2010 (WO) DM/074 692

(51) **LOC (9) Cl.** **09-03**
(52) **U.S. Cl.** **D9/423**
(58) **Field of Classification Search** D9/414,
D9/416, 420, 421, 423, 426, 430, 432; 206/236-241,
206/249-251, 254-259, 261-275; 229/160.1;
D27/185-192

See application file for complete search history.

OTHER PUBLICATIONS

International Search Report and Written Opinion, mailed Nov. 24, 2011, for PCT International Application No. PCT/EP2011/067147, filed Sep. 30, 2011.

* cited by examiner

Primary Examiner — Thomas Johannes
(74) *Attorney, Agent, or Firm* — Cooley LLP

(57) **CLAIM**

The ornamental designs for a cigarette packet, as shown and described.

(56) **References Cited**

U.S. PATENT DOCUMENTS

D441,496 S *	5/2001	Focke et al.	D27/189
D448,888 S *	10/2001	Focke et al.	D27/189
6,343,691 B1 *	2/2002	Focke et al.	206/268
D472,013 S *	3/2003	Conti et al.	D27/189
D510,777 S *	10/2005	Engel	D27/189
D551,969 S *	10/2007	Aurilio et al.	D9/432
D613,903 S *	4/2010	Wu et al.	D27/189
2005/0082178 A1 *	4/2005	Draghetti et al.	206/242
2006/0191986 A1 *	8/2006	Focke et al.	229/146
2009/0084694 A1	4/2009	Agirbas		
2010/0059395 A1 *	3/2010	England	206/259

DESCRIPTION

FIG. 1 is a front view of a cigarette packet showing my new design;
FIG. 2 is a left side view thereof;
FIG. 3 is a right side view thereof;
FIG. 4 is a top view thereof;
FIG. 5 is a left side perspective view thereof;
FIG. 6 is a rear view thereof; and,
FIG. 7 is a bottom view thereof.
The broken line portion of FIG. 6 shows claimed crease lines.

1 Claim, 2 Drawing Sheets

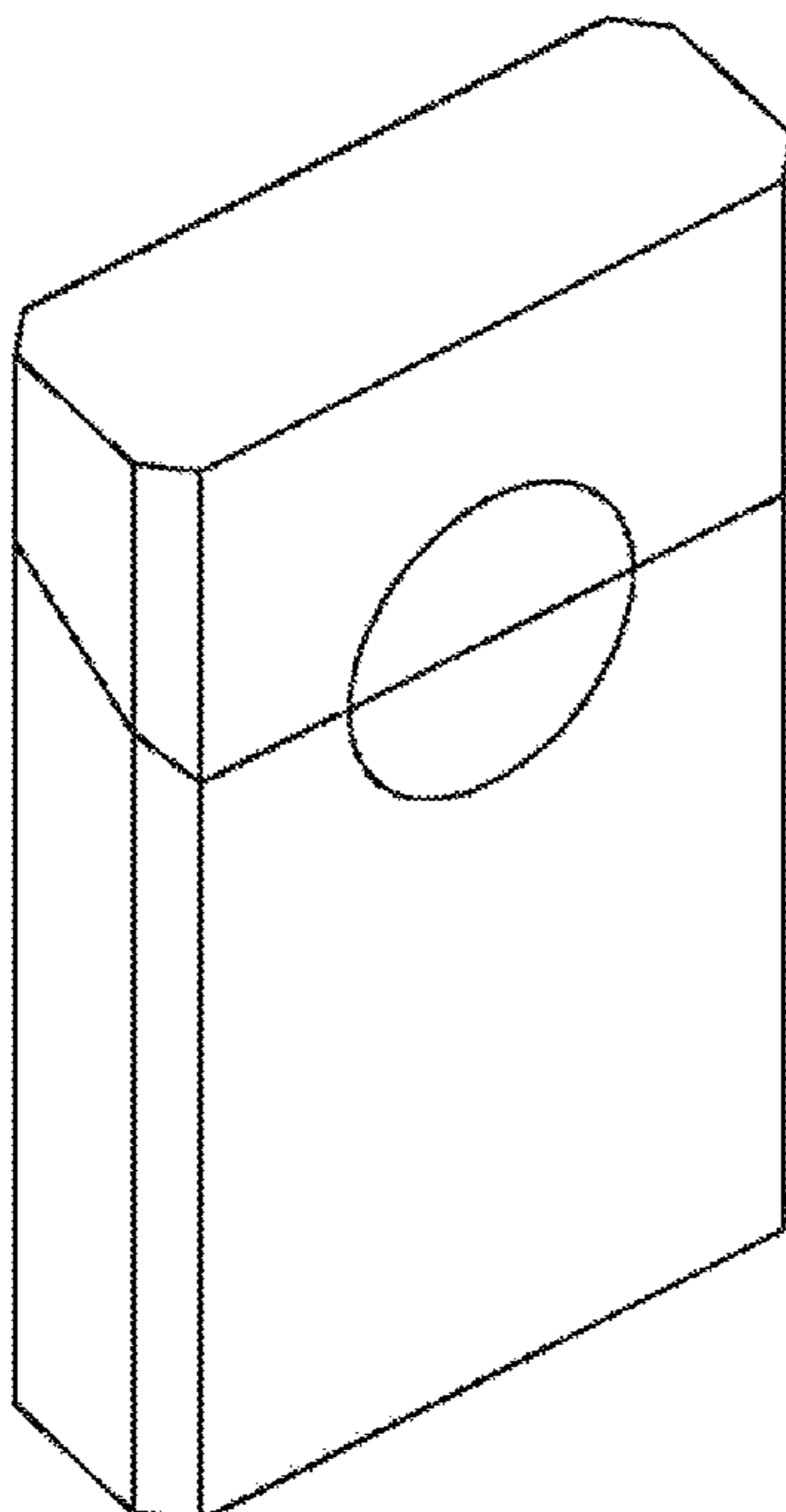




Fig. 4

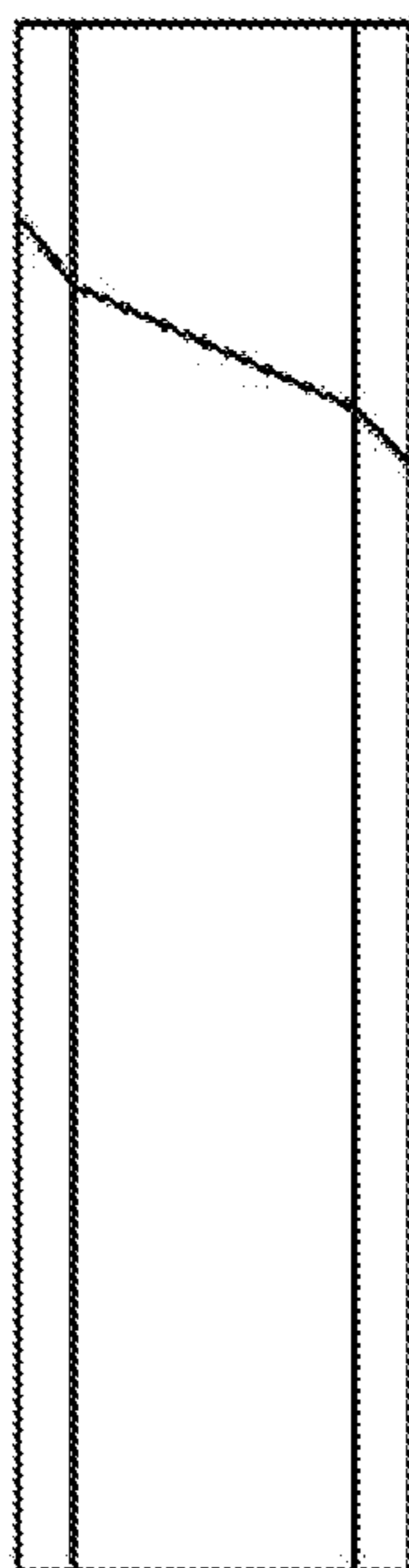


Fig. 2

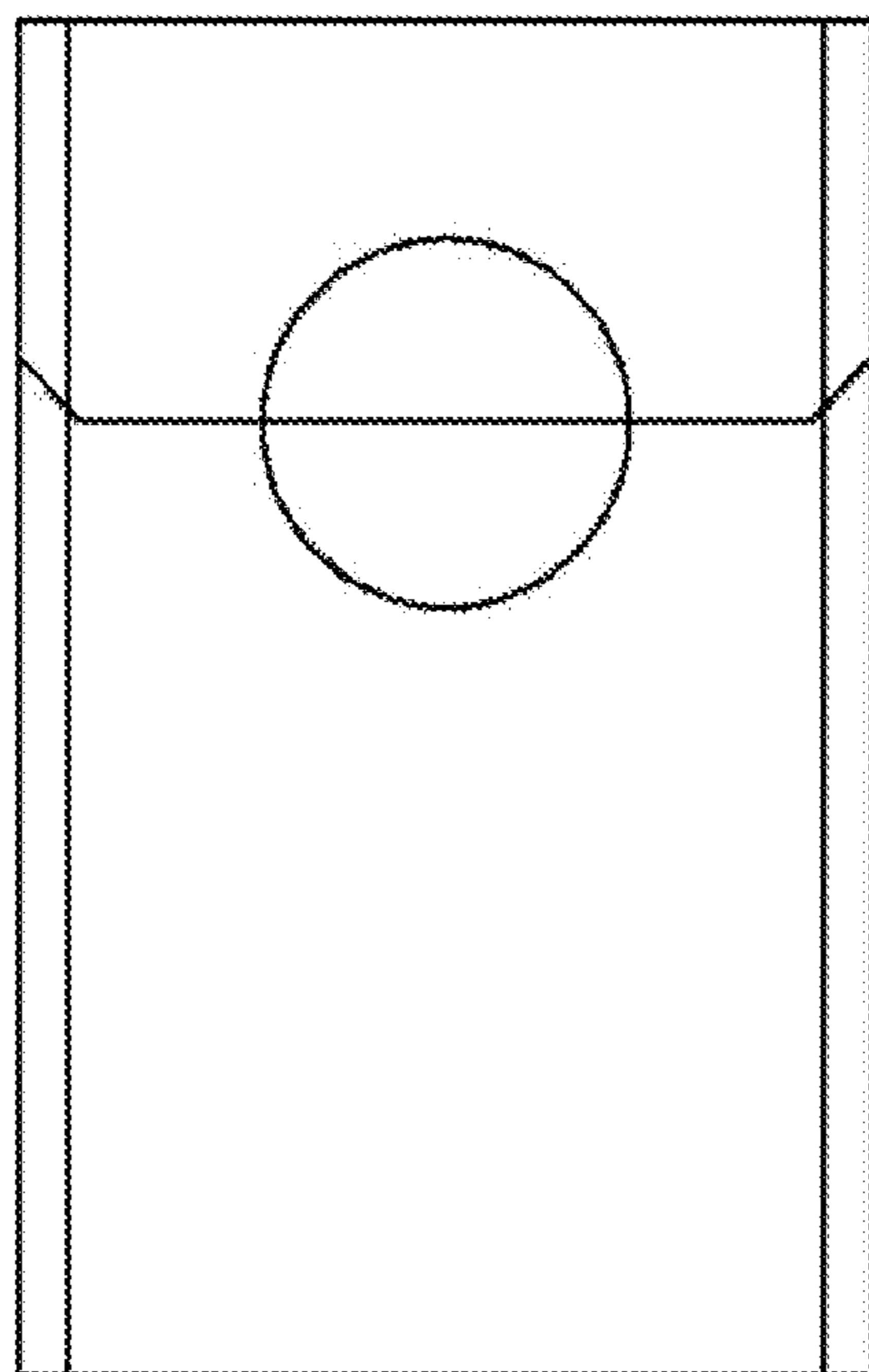


Fig. 1

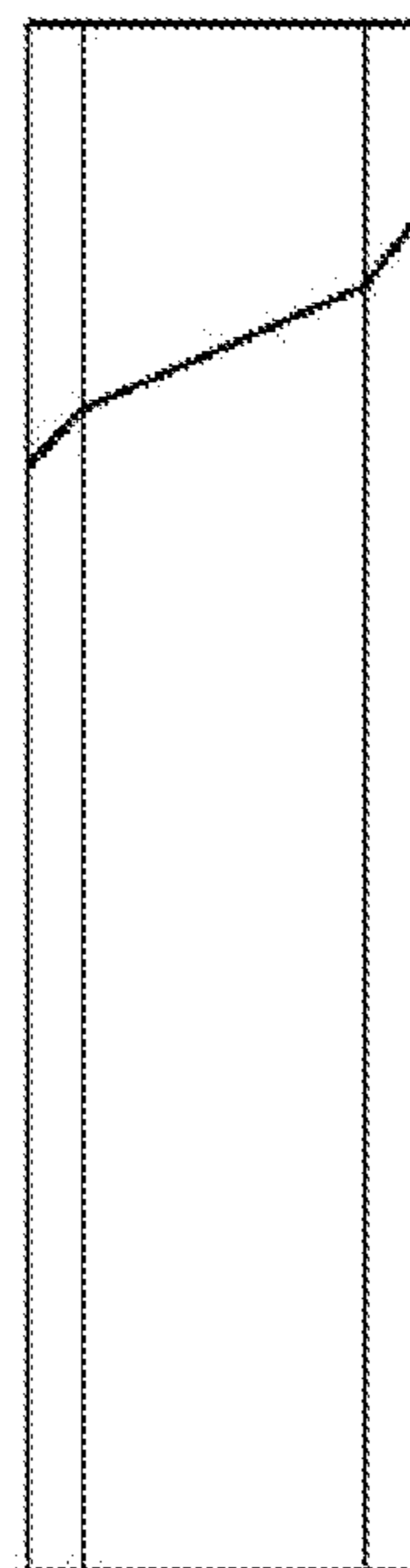


Fig. 3

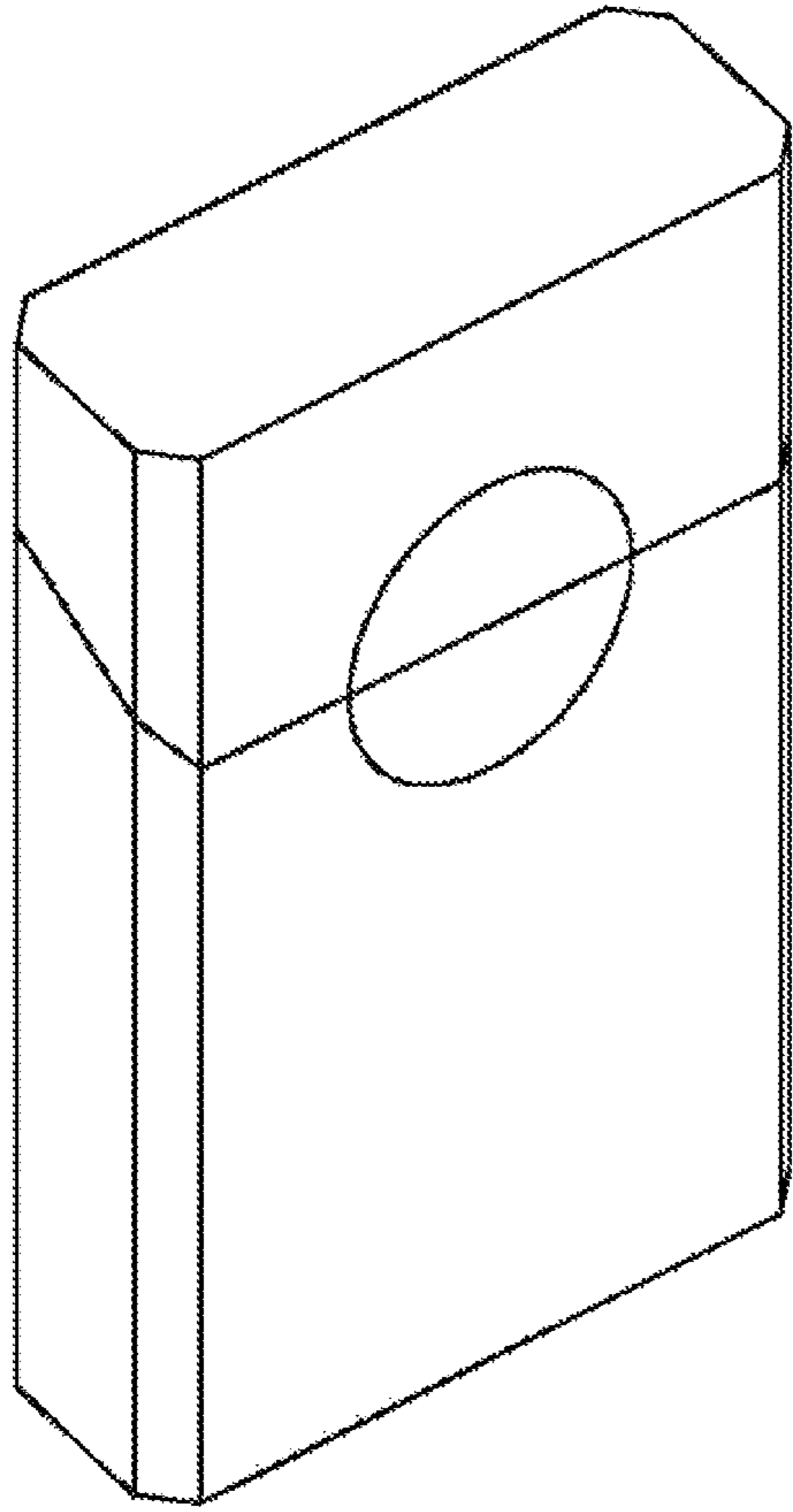


Fig. 5



Fig. 7

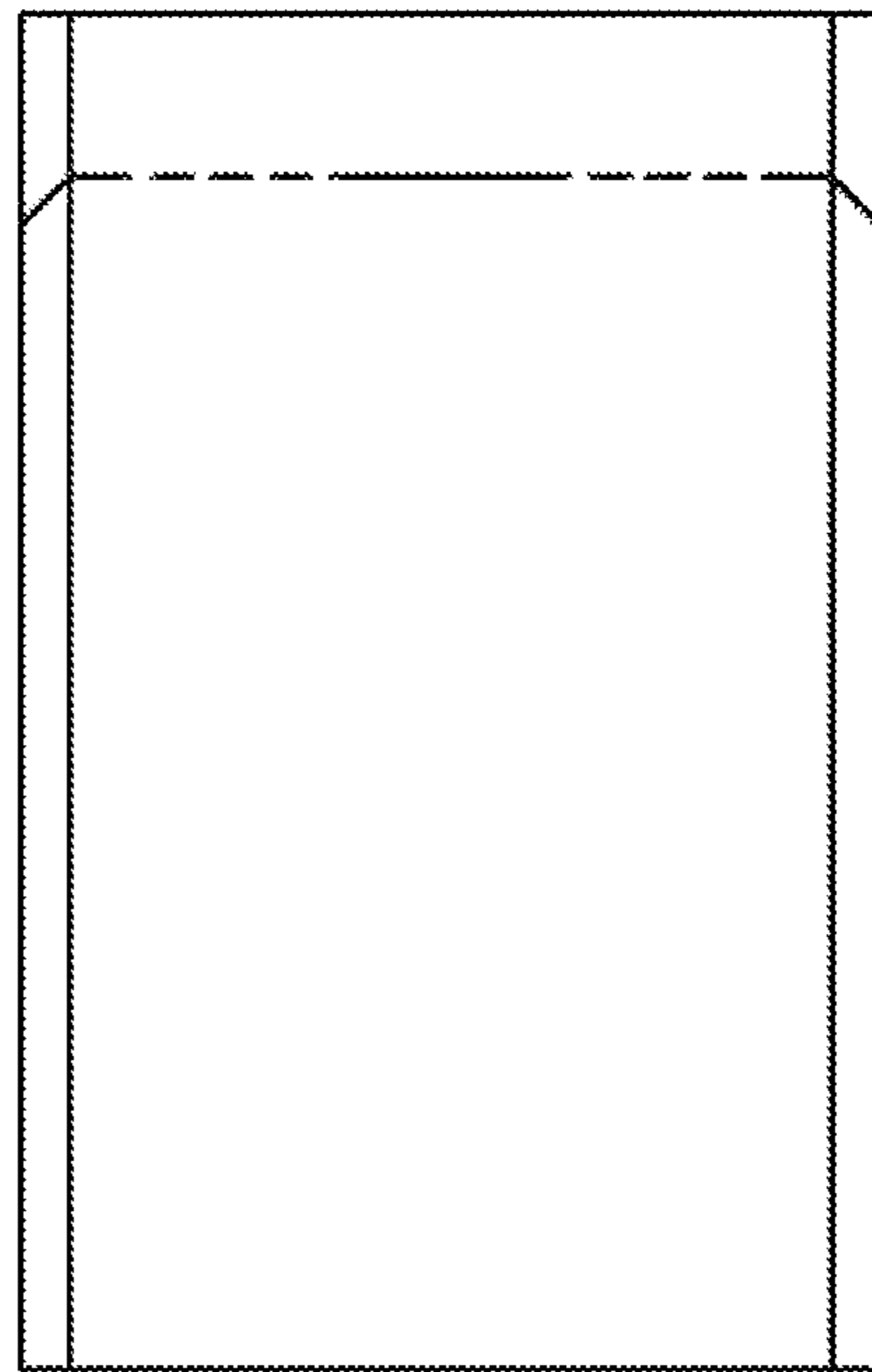


Fig. 6