



US00D675916S

(12) **United States Design Patent**
Villiers et al.

(10) **Patent No.:** **US D675,916 S**
(45) **Date of Patent:** **** Feb. 12, 2013**

(54) **PACKAGE**

(75) Inventors: **David Robert Villiers**, London (GB);
Paul Hodges, London (GB)
(73) Assignee: **British American Tobacco (Holdings)**
Limited, London (GB)

(**) Term: **14 Years**

(21) Appl. No.: **29/426,935**

(22) Filed: **Jul. 11, 2012**

3,977,520 A	8/1976	Grimm
4,015,769 A	4/1977	Erlich
D250,748 S	1/1979	Leger
4,245,771 A	1/1981	Christian
D263,121 S	2/1982	Lowry
D283,310 S	4/1986	Sussman
D296,938 S	7/1988	Ameringen
4,850,482 A	7/1989	Campbell
4,948,038 A	8/1990	Moeller
D320,556 S	10/1991	Fairhurst
5,097,948 A	3/1992	Campbell
D328,427 S	8/1992	Serna
5,160,024 A	11/1992	Evers
D333,781 S	3/1993	Kobel
D347,169 S	5/1994	Bezzerrides et al.
D359,404 S	6/1995	Svee

(Continued)

Related U.S. Application Data

(62) Division of application No. 29/369,393, filed on Sep. 8, 2010.

Foreign Application Priority Data

Mar. 8, 2010 (WO) DM/073 216

(51) **LOC (9) Cl.** **09-03**

(52) **U.S. Cl.** **D9/420; D9/431**

(58) **Field of Classification Search** D9/420,
D9/423, 431, 432, 433, 607; 206/242, 245,
206/265, 266, 268, 271, 273; 229/101, 125.21,
229/125.37, 145, 212, 225, 160.1; D27/186,
D27/189

See application file for complete search history.

(56) **References Cited**

U.S. PATENT DOCUMENTS

D7,109 S	1/1874	Whitman
205,273 A	6/1878	Jonas
516,024 A	3/1894	Schaefer
879,488 A	2/1908	Pitkin
1,574,566 A	2/1926	Fiske
1,669,139 A	5/1928	Martin
D101,608 S	10/1936	Ansehl
D120,557 S	5/1940	Schwarz
2,419,510 A	4/1947	Rosen
2,889,100 A	6/1959	Baker
3,327,887 A	6/1967	Walker
D219,957 S	2/1971	Spahr
3,944,066 A	3/1976	Niepmann

FOREIGN PATENT DOCUMENTS

EM	000174644	5/2004
EM	000360557-0001	8/2005

(Continued)

OTHER PUBLICATIONS

<http://thesaurus.maths.org/mmkb/entry.html?sessionid=16E5ACC94>, Downloaded From Internet Jul. 19, 2011.

(Continued)

Primary Examiner — Thomas Johannes
(74) *Attorney, Agent, or Firm* — Cooley LLP

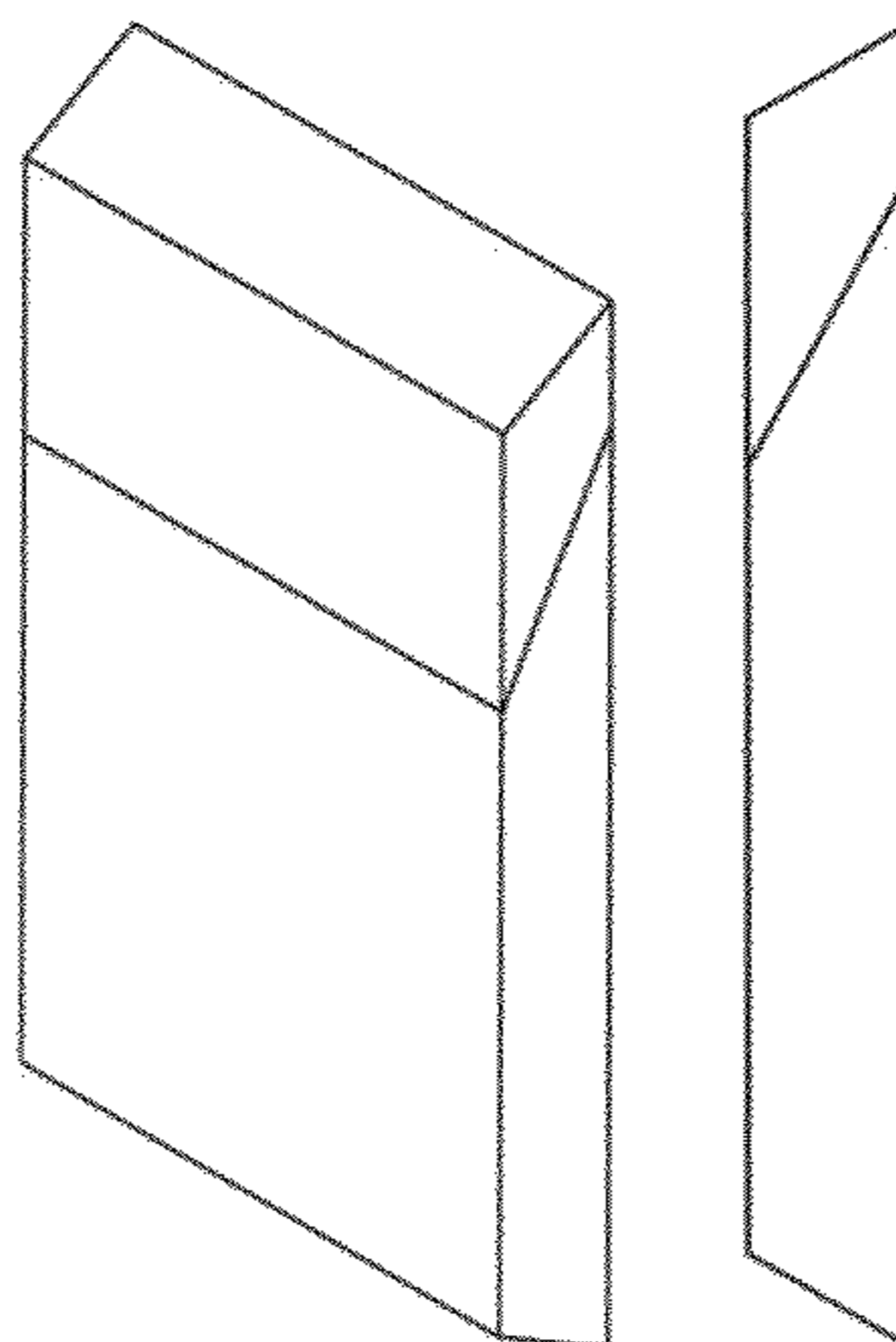
(57) **CLAIM**

The ornamental design for package, as shown and described.

DESCRIPTION

FIG. 1 is a right front top perspective view of a package showing our new design;
FIG. 2 is a front view thereof;
FIG. 3 is a rear view thereof;
FIG. 4 is a right side view thereof, the left side view being a mirror image thereof; and,
FIG. 5 is a top view thereof, the bottom view being a mirror image thereof.

1 Claim, 2 Drawing Sheets



US D675,916 S

Page 2

U.S. PATENT DOCUMENTS

D364,345 S 11/1995 Prins
5,487,468 A 1/1996 Sheahan
D372,146 S 7/1996 Svec
D382,956 S 8/1997 Collins
D383,633 S 9/1997 Schweitzer
D386,079 S 11/1997 Harper
D393,924 S 4/1998 Wright
5,967,312 A 10/1999 Jacobs
D425,415 S 5/2000 Kumakura et al.
D429,462 S 8/2000 Kumakura et al.
D433,942 S 11/2000 Persson et al.
D454,494 S 3/2002 Bryan et al.
D462,807 S 9/2002 Draghetti
D470,049 S 2/2003 Gray, III
D493,107 S 7/2004 Bergne
D494,760 S 8/2004 Yuan
D494,860 S 8/2004 Bacon
D499,019 S 11/2004 Sagmeister et al.
D506,133 S 6/2005 Goodfellow et al.
D507,484 S 7/2005 Kumakura et al.
7,175,022 B2* 2/2007 Ito 206/268
D562,126 S 2/2008 Kienemund-Paroll
7,370,756 B2 5/2008 Bray et al.
7,395,924 B2 7/2008 Tambo
D575,636 S 8/2008 Krautter
D579,325 S 10/2008 Bray et al.
7,455,177 B2 11/2008 Serafini et al.
D591,899 S 5/2009 Bray et al.
D593,406 S 6/2009 Verebelyi et al.
D601,747 S 10/2009 Tabrah
7,604,117 B2 10/2009 Bourgoïn et al.
D607,316 S 1/2010 Verebelyi et al.
D617,636 S 6/2010 Vanhoutte
D629,684 S 12/2010 Drury
2012/0006823 A1 1/2012 Bertuzzi et al.

FOREIGN PATENT DOCUMENTS

EM 1001465-01 9/2008
EM 1001465-02 9/2008
EM 1001465-03 9/2008
EM 000771928-02 2/2010
ES 1065608 10/2007
GB 2028197 1/1993
GB 2035379 11/1993
GB 2087212 10/1999
GB 2093322 11/1999
GB 3014108 8/2003
GB 1364-02 10/2003
GB 1820-03 6/2004
GB 3011563 4/2007
GB 4005385 11/2007
GB 331-08 7/2008
WO DM/064817 12/2003

OTHER PUBLICATIONS

http://capsicum.me.utexas.edu/ChE386K/html/volume_unit_cell.htm, Downloaded From Internet Jul. 19, 2011.
Official Action, issued for Chilean Application No. 953-10, filed Sep. 8, 2010.
Official Action, issued for Chilean Application No. 954-10, filed Sep. 8, 2010.
Official Action, issued for Chilean Application No. 955-10, filed Sep. 8, 2010.
Official Action, issued for Chilean Application No. 956-10, filed Sep. 8, 2010.
Official Action, issued for Chilean Application No. 957-10, filed Sep. 8, 2010.

* cited by examiner

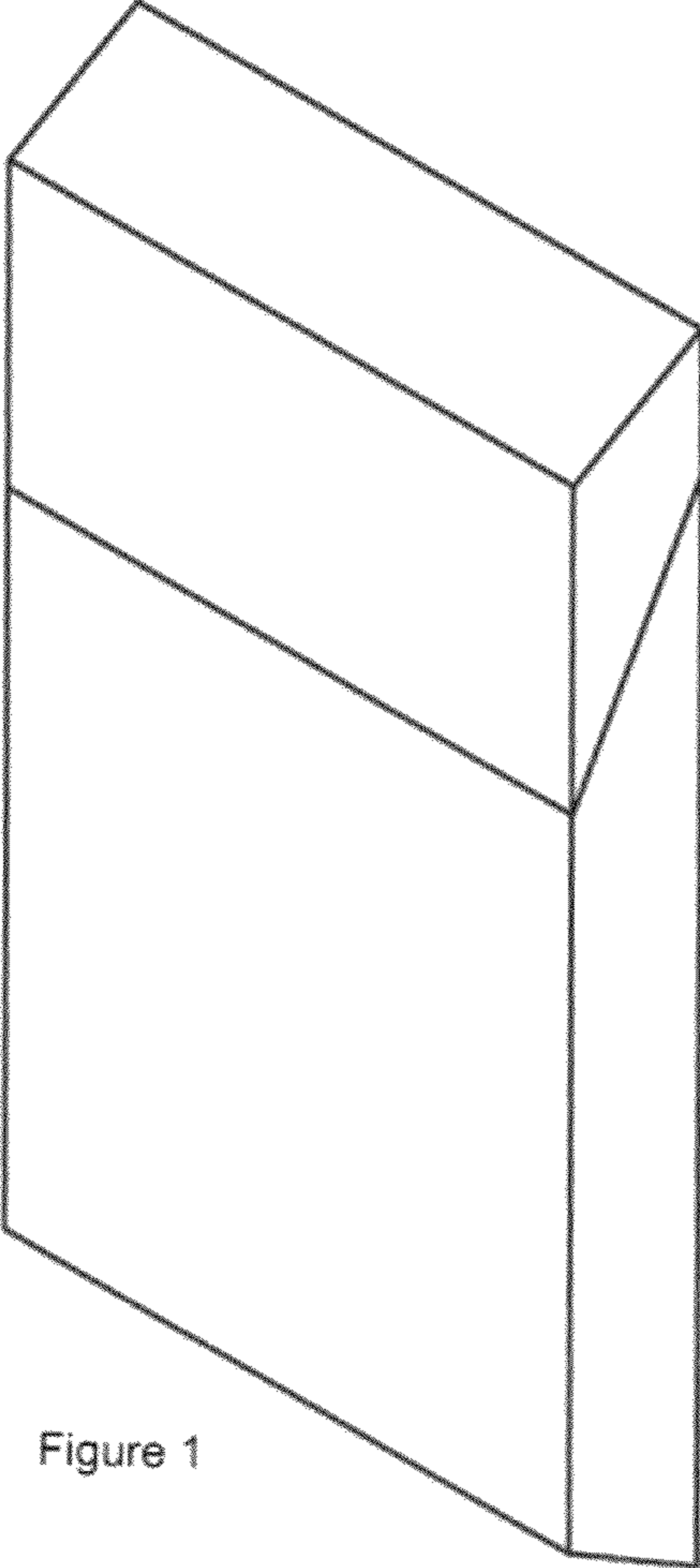


Figure 1

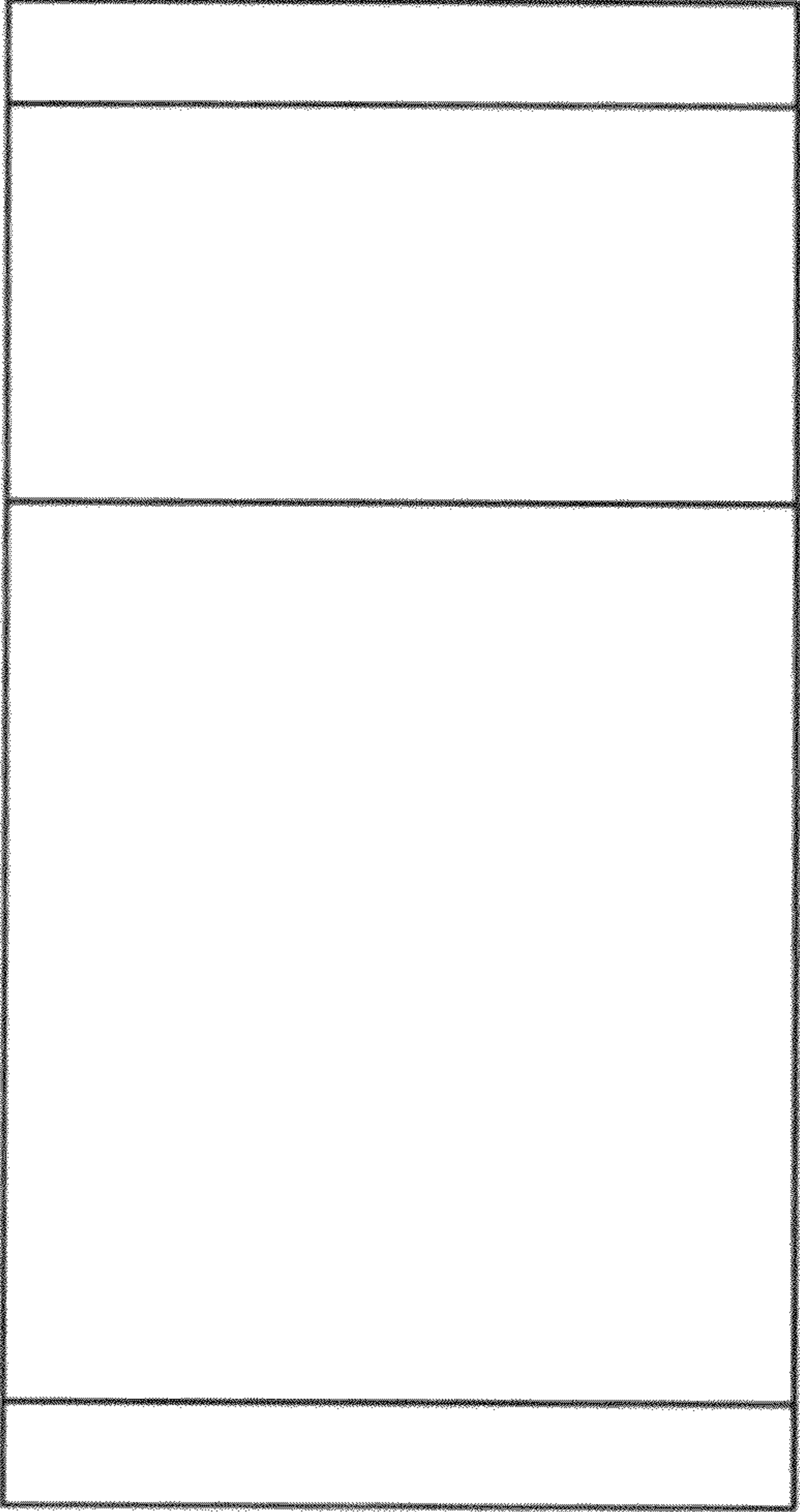


Figure 2

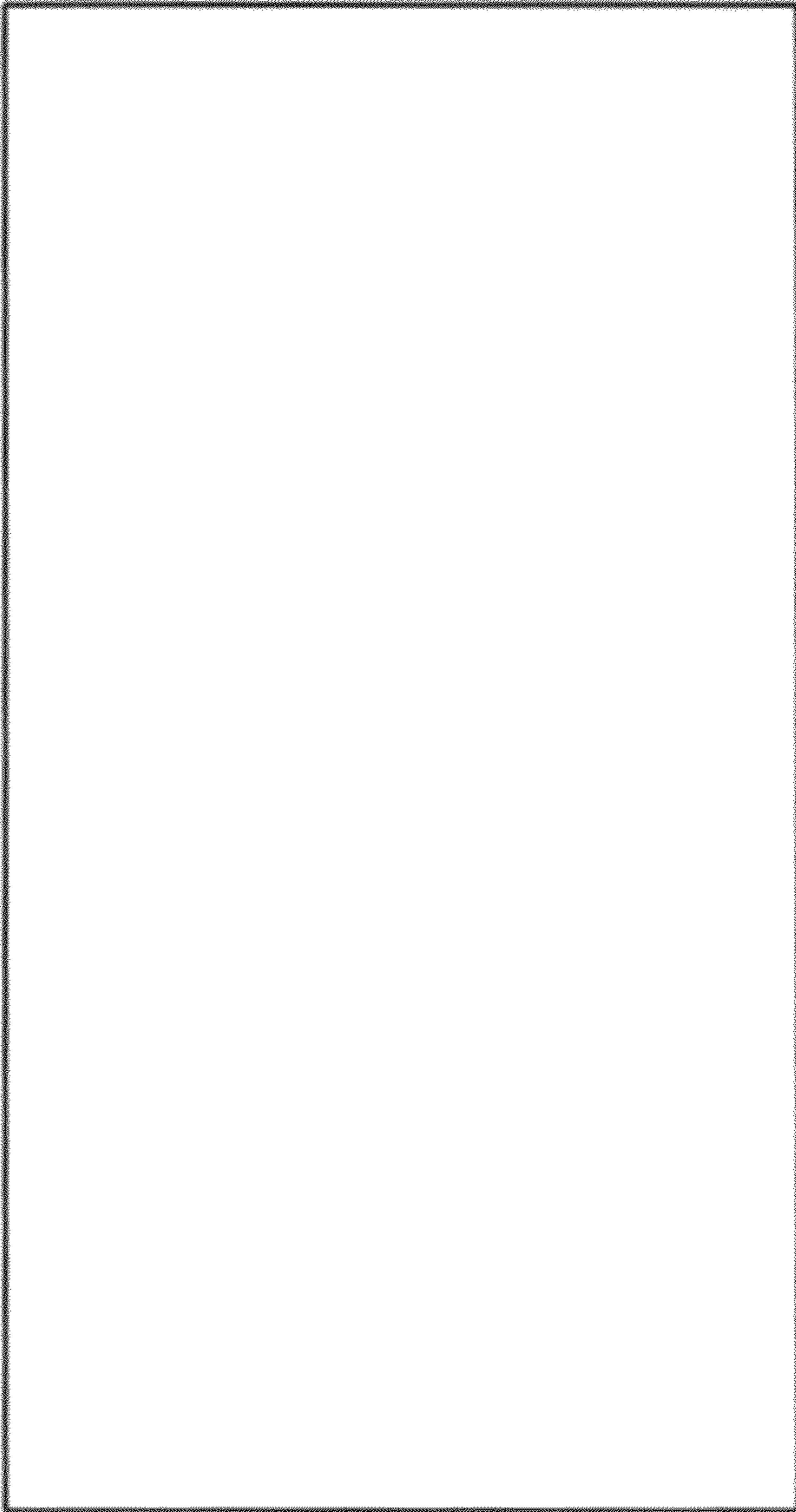


Figure 3

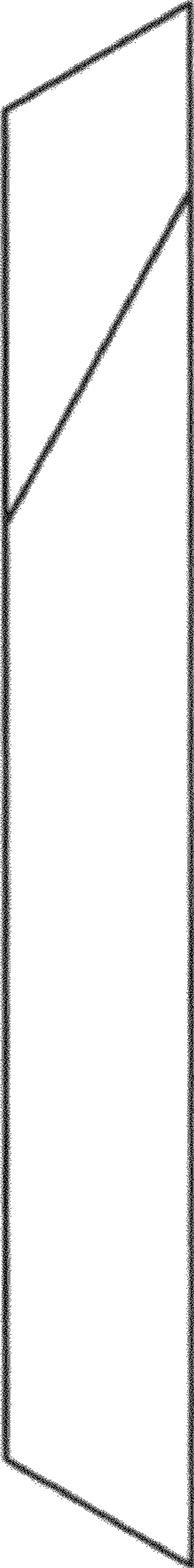


Figure 4

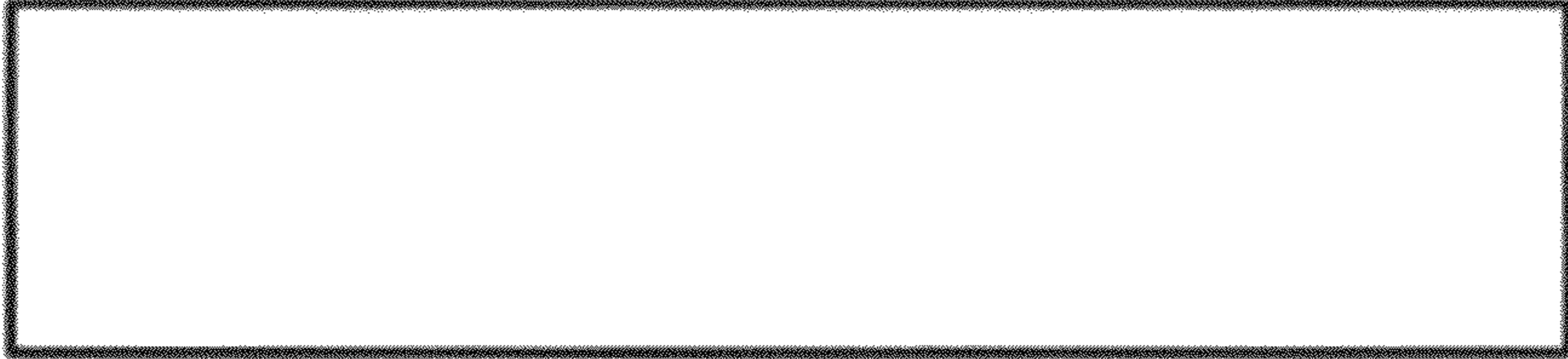


Figure 5

UNITED STATES PATENT AND TRADEMARK OFFICE
CERTIFICATE OF CORRECTION

PATENT NO. : D675,916 S
APPLICATION NO. : 29/426935
DATED : February 12, 2013
INVENTOR(S) : David Robert Villiers and Paul Hodges

Page 1 of 1

It is certified that error appears in the above-identified patent and that said Letters Patent is hereby corrected as shown below:

On title page (2):

Under "Foreign Patent Documents"

Delete "GB 1364-02" and replace with -- CL 1364-02 --;

Delete "GB 1820-03" and replace with -- CL 1820-03 --;

Delete "GB 3011563 4/2007" and replace with -- GB 3011563 3/2003 --; and

Delete "GB 331-08" and replace with -- CL 331-08 --.

Signed and Sealed this
Twenty-third Day of April, 2013



Teresa Stanek Rea
Acting Director of the United States Patent and Trademark Office