



US00D675914S

(12) **United States Design Patent**
Hunter

(10) **Patent No.:** **US D675,914 S**
(45) **Date of Patent:** **** Feb. 12, 2013**

(54) **CONSUMABLE PRODUCT PACKAGE**

(75) Inventor: **Adam J. Hunter**, Park Ridge, IL (US)

(73) Assignee: **WM. Wrigley Jr. Company**, Chicago, IL (US)

(**) Term: **14 Years**

(21) Appl. No.: **29/409,794**

(22) Filed: **Dec. 29, 2011**

(51) **LOC (9) Cl.** **09-03**

(52) **U.S. Cl.** **D9/420**

(58) **Field of Classification Search** D9/414,
D9/416, 420, 422, 423, 432, 433, 499, 337;
206/5, 5.1, 37, 232, 308.1-308.3, 307, 316.1,
206/372, 387.13, 425, 449, 450, 472-476,
206/493, 494, 527, 734; 229/87.18, 126,
229/19, 800; 220/890, 100, 123, 124, 125;
D3/218, 273; D6/407, 626, 632; D19/4

See application file for complete search history.

(56) **References Cited**

U.S. PATENT DOCUMENTS

| | | | | |
|-----------|-----|---------|-----------------|--------|
| 2,197,388 | A | 4/1940 | Towers | |
| 2,754,867 | A | 7/1956 | Langer | |
| 3,295,741 | A | 1/1967 | Meyers | |
| D454,303 | S | 3/2002 | Sipinen | |
| 6,398,020 | B1 | 6/2002 | Smith | |
| D479,464 | S * | 9/2003 | Kopecky | D9/432 |
| D484,046 | S * | 12/2003 | Kopecky | D9/432 |
| D489,255 | S | 5/2004 | Kratzert et al. | |
| D493,106 | S | 7/2004 | Bonzagni et al. | |
| D495,254 | S | 8/2004 | Carlos | |
| D512,304 | S | 12/2005 | Aldridge | |
| 7,159,717 | B2 | 1/2007 | Aldridge et al. | |
| D540,668 | S | 4/2007 | Aldridge | |

| | | | | |
|--------------|------|---------|-----------------|-----------|
| D555,511 | S | 11/2007 | Warmka | |
| D582,268 | S * | 12/2008 | Zanaletti | D9/432 |
| D594,323 | S | 6/2009 | Friedman et al. | |
| D613,153 | S * | 4/2010 | Russell | D9/423 |
| D613,158 | S * | 4/2010 | Russell et al. | D9/434 |
| D619,454 | S | 7/2010 | Fluegel et al. | |
| D624,401 | S | 9/2010 | Friedman et al. | |
| D628,065 | S | 11/2010 | Russell | |
| D644,100 | S | 8/2011 | Stacy-Ryan | |
| D644,923 | S | 9/2011 | Belias et al. | |
| 2006/0142720 | A1 | 6/2006 | Zander et al. | |
| 2009/0211938 | A1 | 8/2009 | Aldridge | |
| 2010/0276479 | A1 * | 11/2010 | Rueda | 229/126 |
| 2010/0288760 | A1 * | 11/2010 | McGrew et al. | 220/23.83 |
| 2011/0017632 | A1 * | 1/2011 | Lee et al. | 206/525 |

* cited by examiner

Primary Examiner — Thomas Johannes

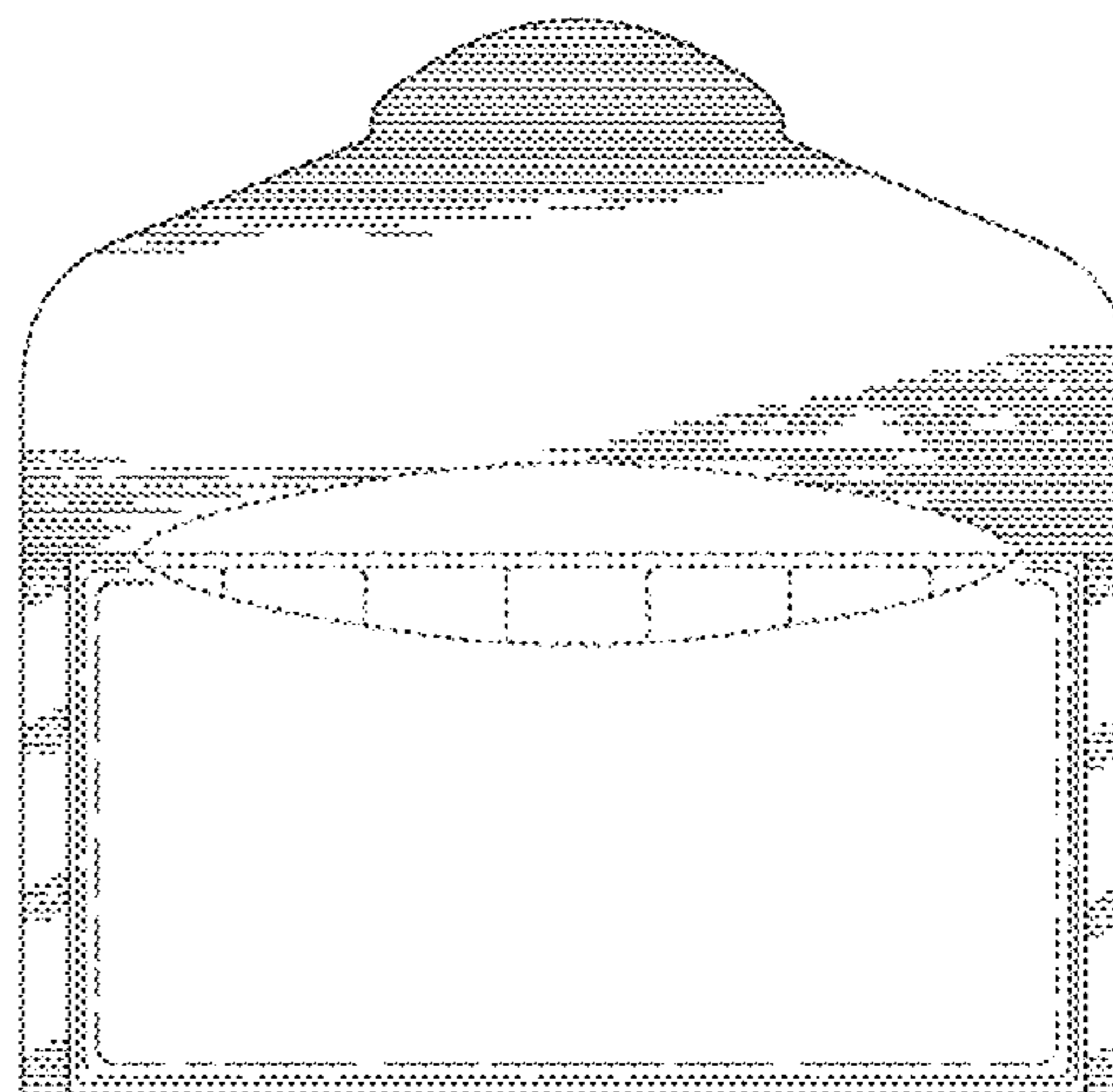
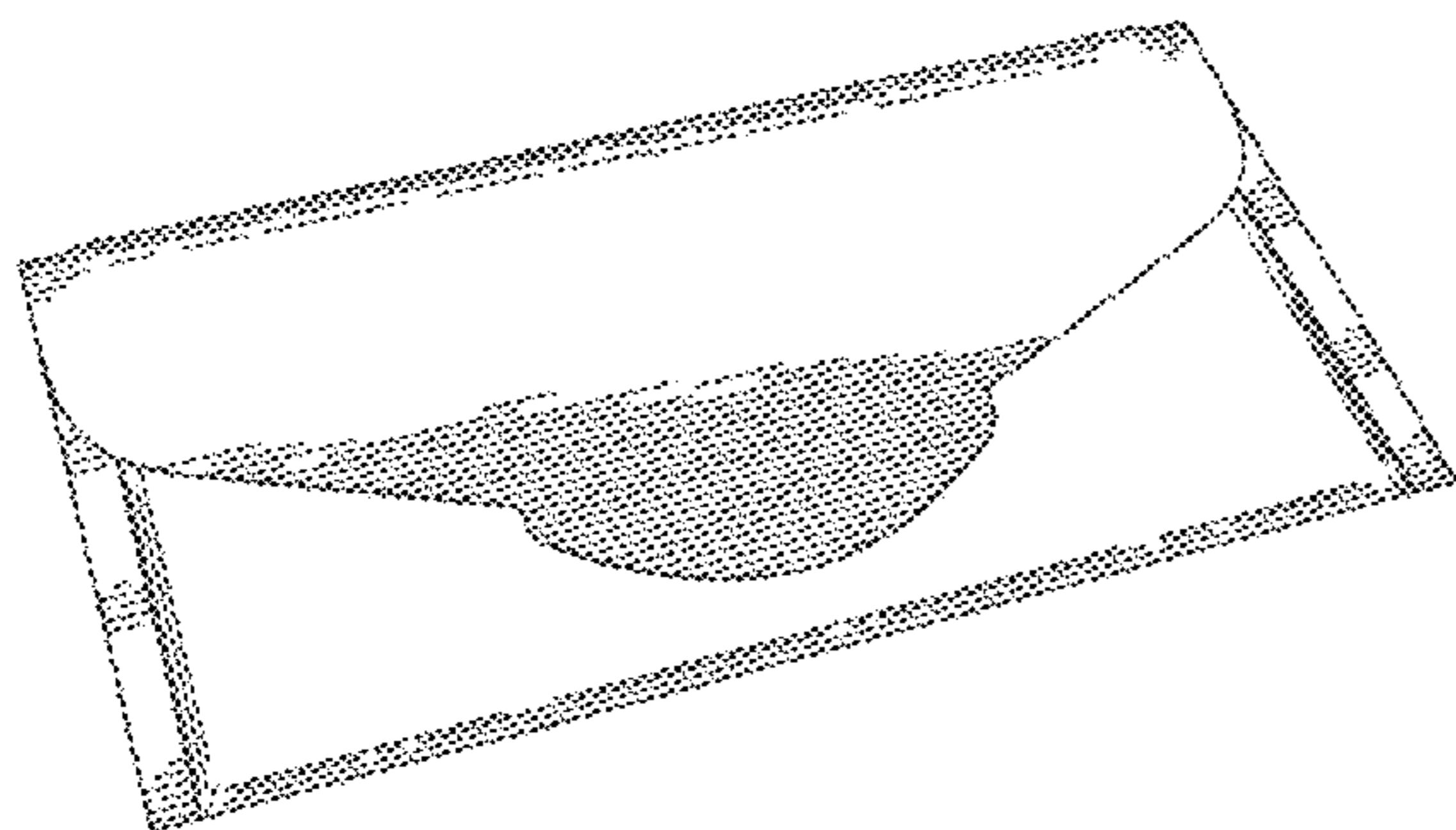
(57) **CLAIM**

The ornamental design for a consumable product package, as shown and described.

DESCRIPTION

FIG. 1 is a front elevation view of a consumable product package, showing our new design;
FIG. 2 is a rear elevation view thereof;
FIG. 3 is a front, right side perspective view thereof;
FIG. 4 is a front, left side perspective view thereof;
FIG. 5 is a right side elevation view thereof;
FIG. 6 is a top plan view thereof;
FIG. 7 is a bottom plan view thereof; and,
FIG. 8 is a front elevation view thereof, wherein the cover is in an open position.
The broken lines shown in the drawings show unclaimed subject matter only and form no part of the claimed design.

1 Claim, 3 Drawing Sheets



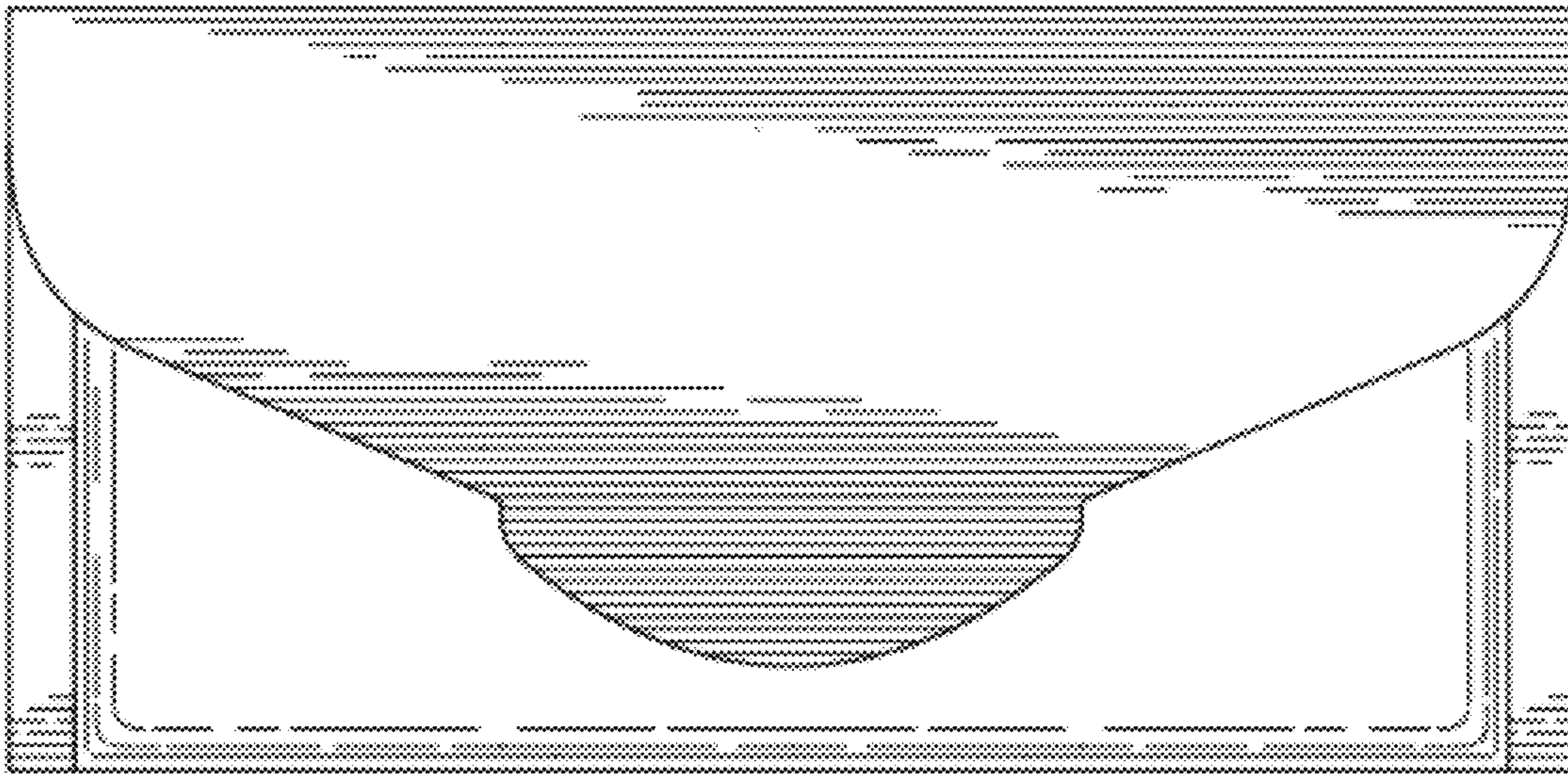


FIG. 1

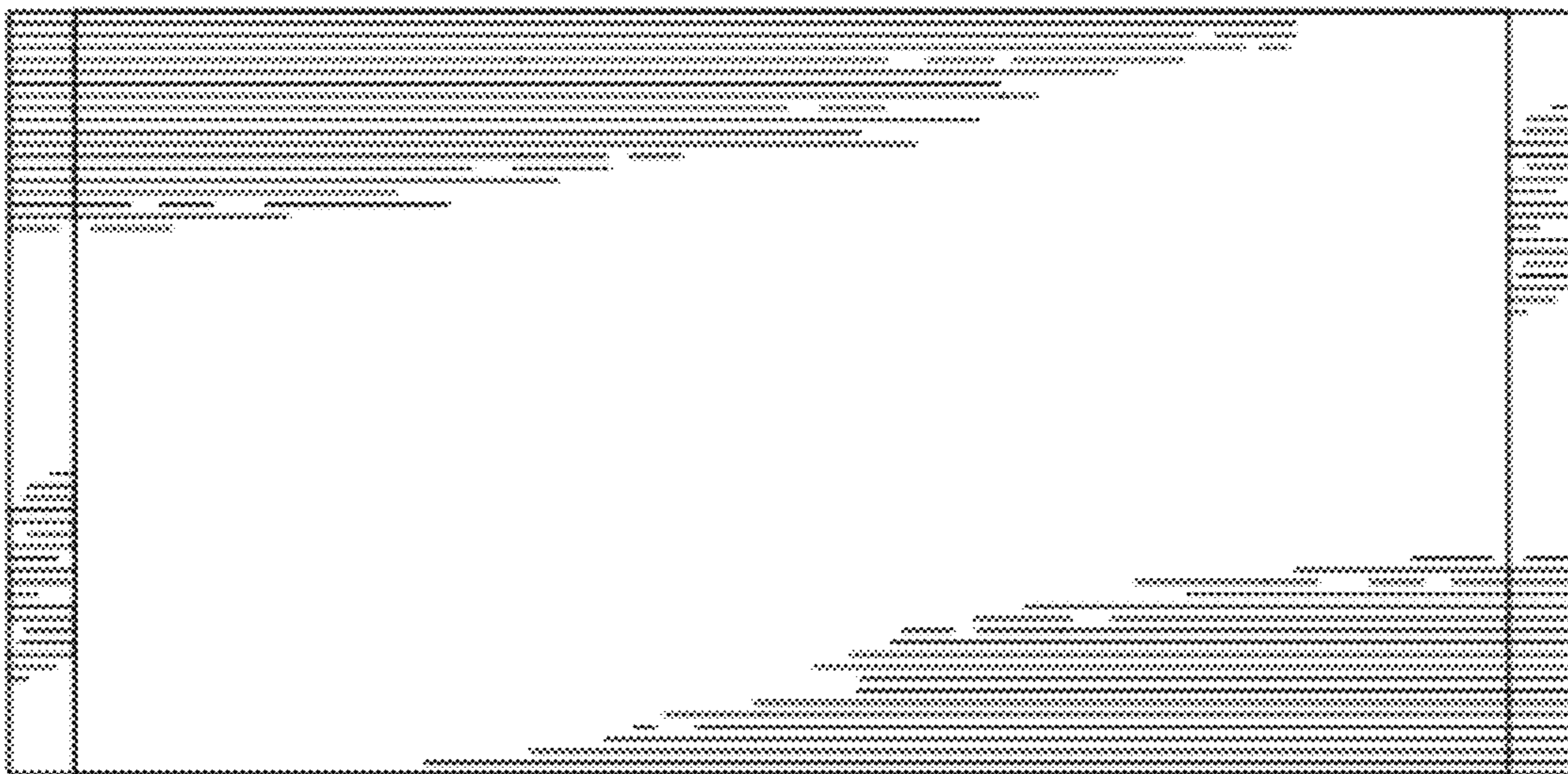


FIG. 2

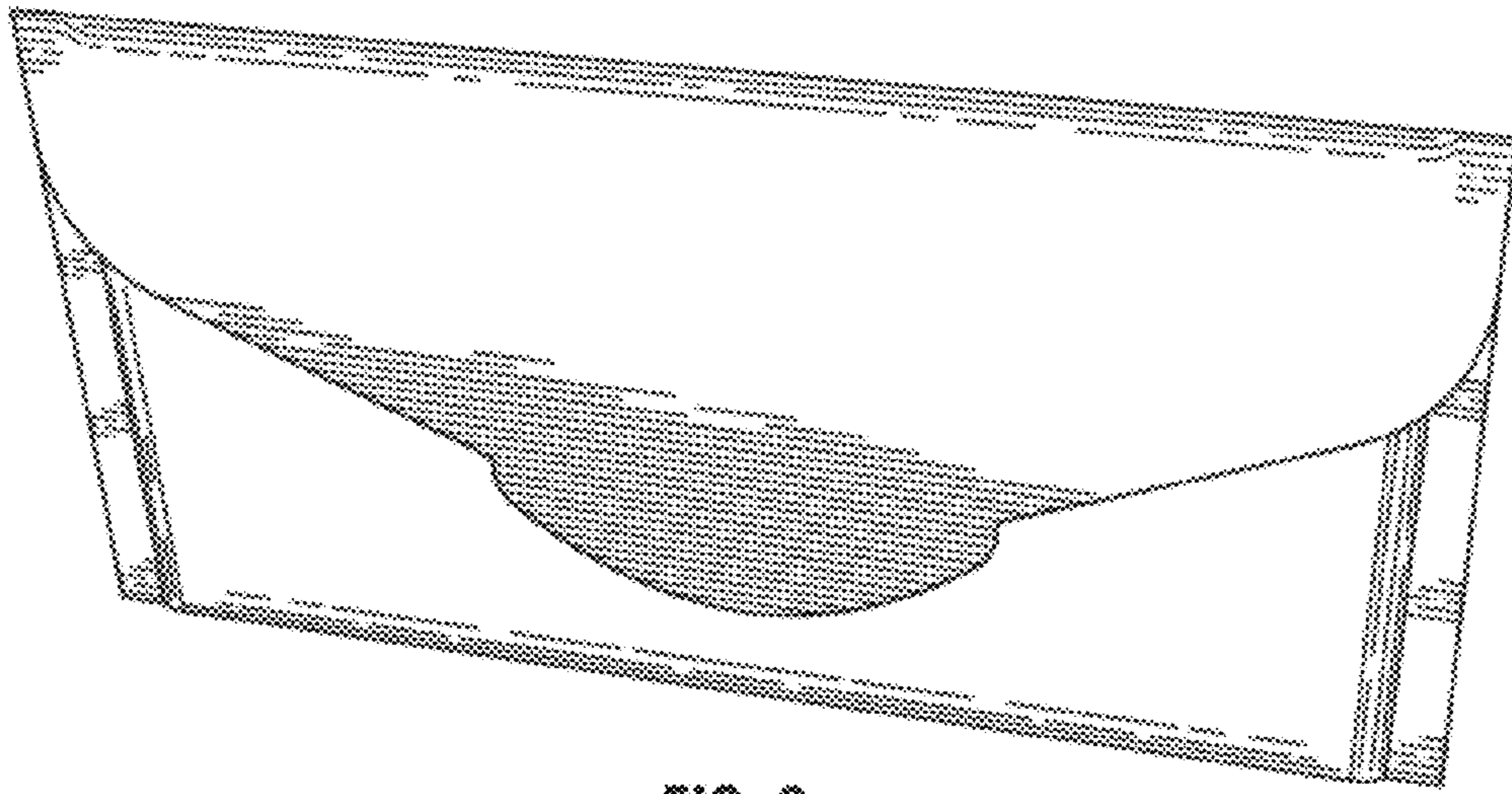


FIG. 3

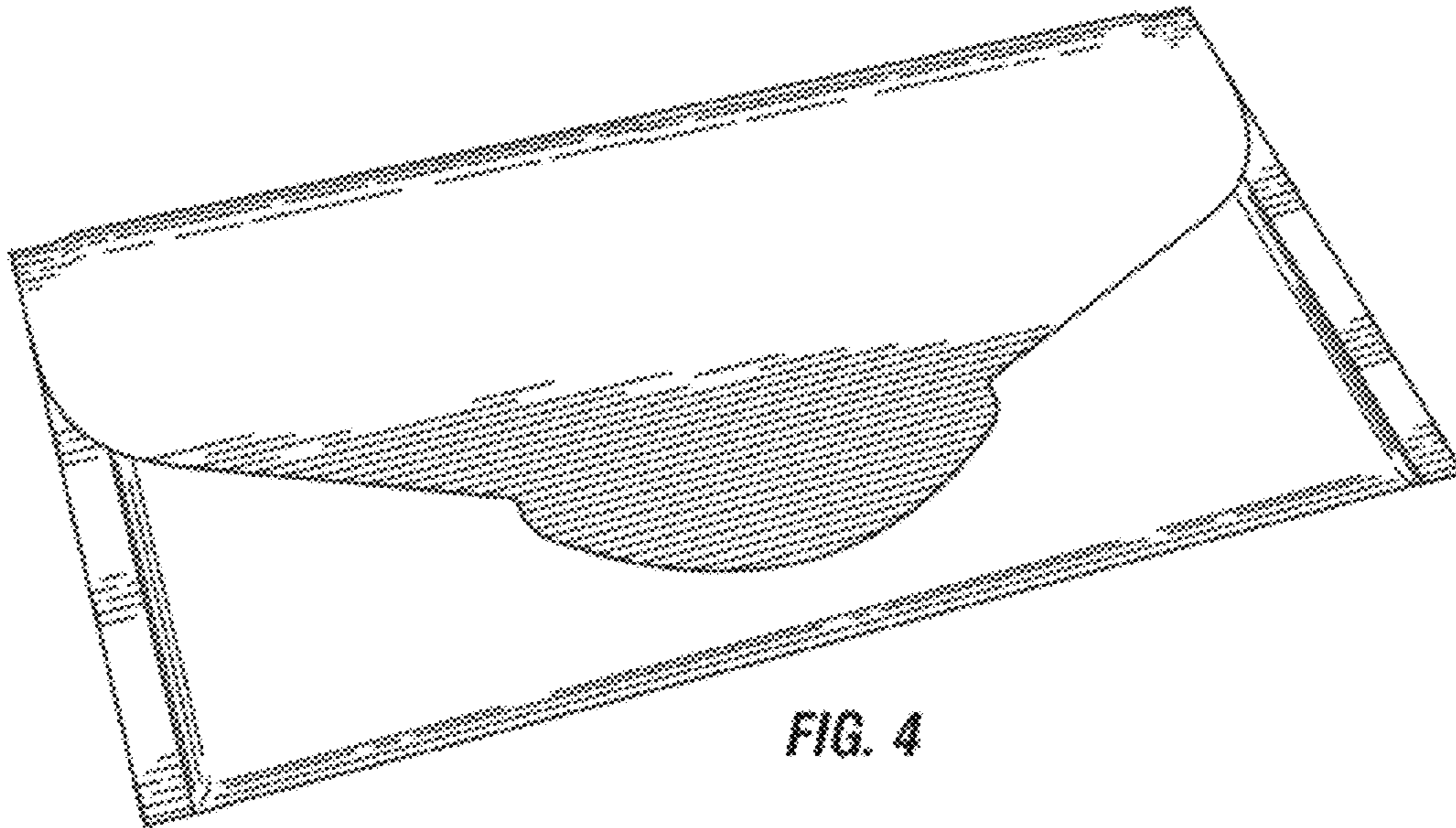


FIG. 4



FIG. 5



FIG. 6



FIG. 7

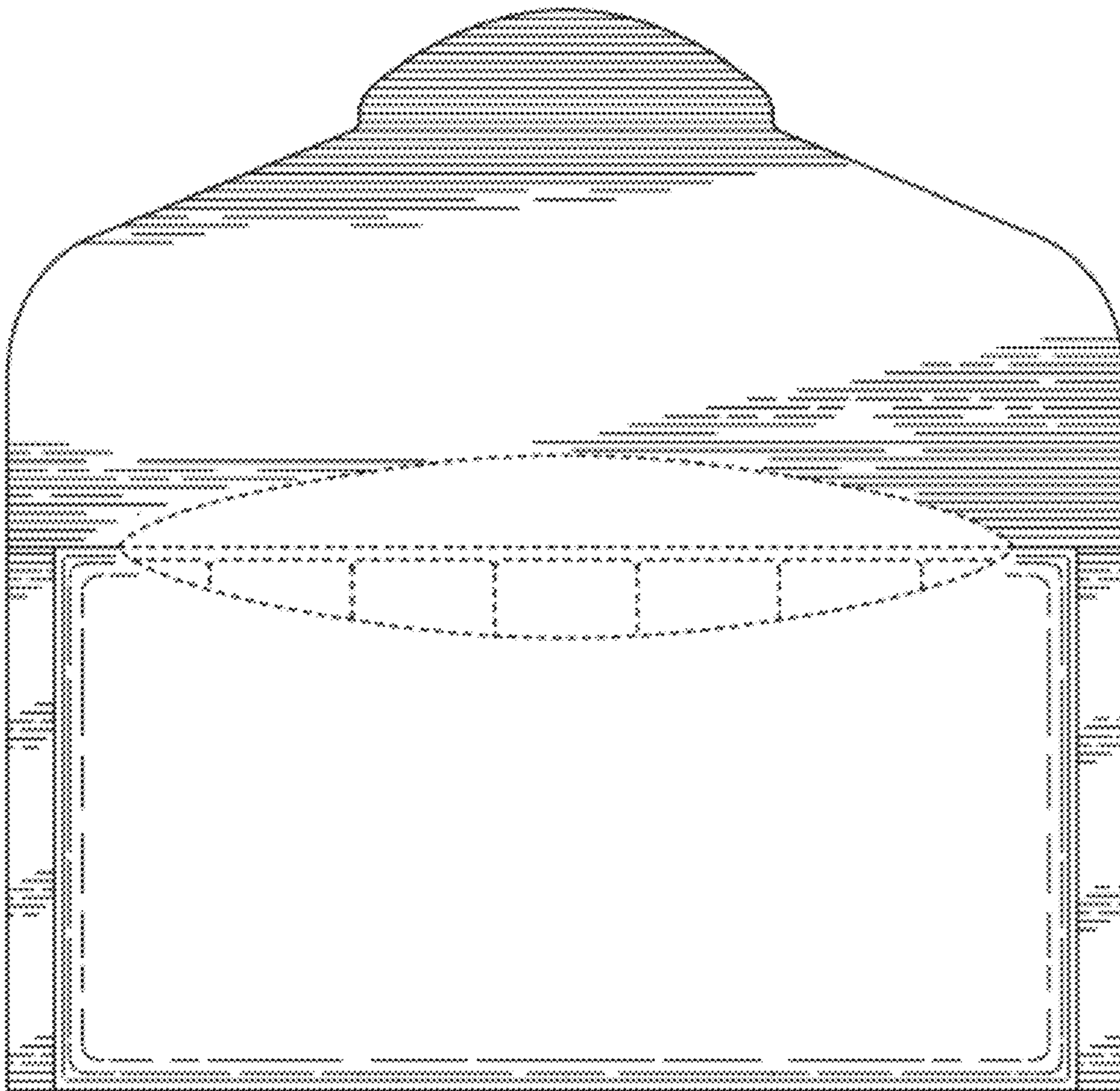


FIG. 8