

US00D675908S

(12) **United States Design Patent**  
**Neuhaus et al.**

(10) **Patent No.:** **US D675,908 S**  
(45) **Date of Patent:** **\*\* Feb. 12, 2013**

(54) **ARCHITECTURAL TILE DISPLAY BOX**

(76) Inventors: **Brandon Neuhaus**, London (GB);  
**Margot Neuhaus**, London (GB)

(\*\*) Term: **14 Years**

(21) Appl. No.: **29/407,150**

(22) Filed: **Nov. 23, 2011**

(51) **LOC (9) Cl.** ..... **09-03**

(52) **U.S. Cl.** ..... **D9/414**

(58) **Field of Classification Search** ..... D9/414,  
D9/416, 423, 428, 430-33, 444, 449, 455,  
D9/501-503, 508, 519, 522, 529, 531, 537,  
D9/545, 548-52, 554, 558, 560, 564, 574,  
D9/575, 688-692, 711, 737, 738, 740-742,  
D9/744, 751, 755-756, 760; D24/216, 516

See application file for complete search history.

(56) **References Cited**

**U.S. PATENT DOCUMENTS**

D510,777 S \* 10/2005 Engel ..... D27/189  
D519,673 S \* 4/2006 Bray et al. .... D27/189  
7,124,909 B1 \* 10/2006 Armato ..... 220/836  
D662,411 S \* 6/2012 Tearle ..... D9/423

**OTHER PUBLICATIONS**

<http://www.storagetech.co.za/index.php?productID=129> searched  
RMS Oct. 31, 2012.\*

<http://www.made-in-china.com/showroom/foshan-jhc/product-detailHSamvqQEIXWi/Chi...> searched RMS Oct. 31, 2012.\*  
<http://www.archiexpo.com/prod/keilbach-design-and-products/letter-boxes-62866-32014...> searched RMS Oct. 31, 2012.\*  
<http://www.eminnovations.com/fliptopdrugstoragebox.html>  
searched RMS Oct. 25, 2012.\*

\* cited by examiner

*Primary Examiner* — Robert M Spear

*Assistant Examiner* — Rhea Shields

(74) *Attorney, Agent, or Firm* — Morse, Barnes-Brown & Pendleton, P.C.; Sean D. Detweiler, Esq.

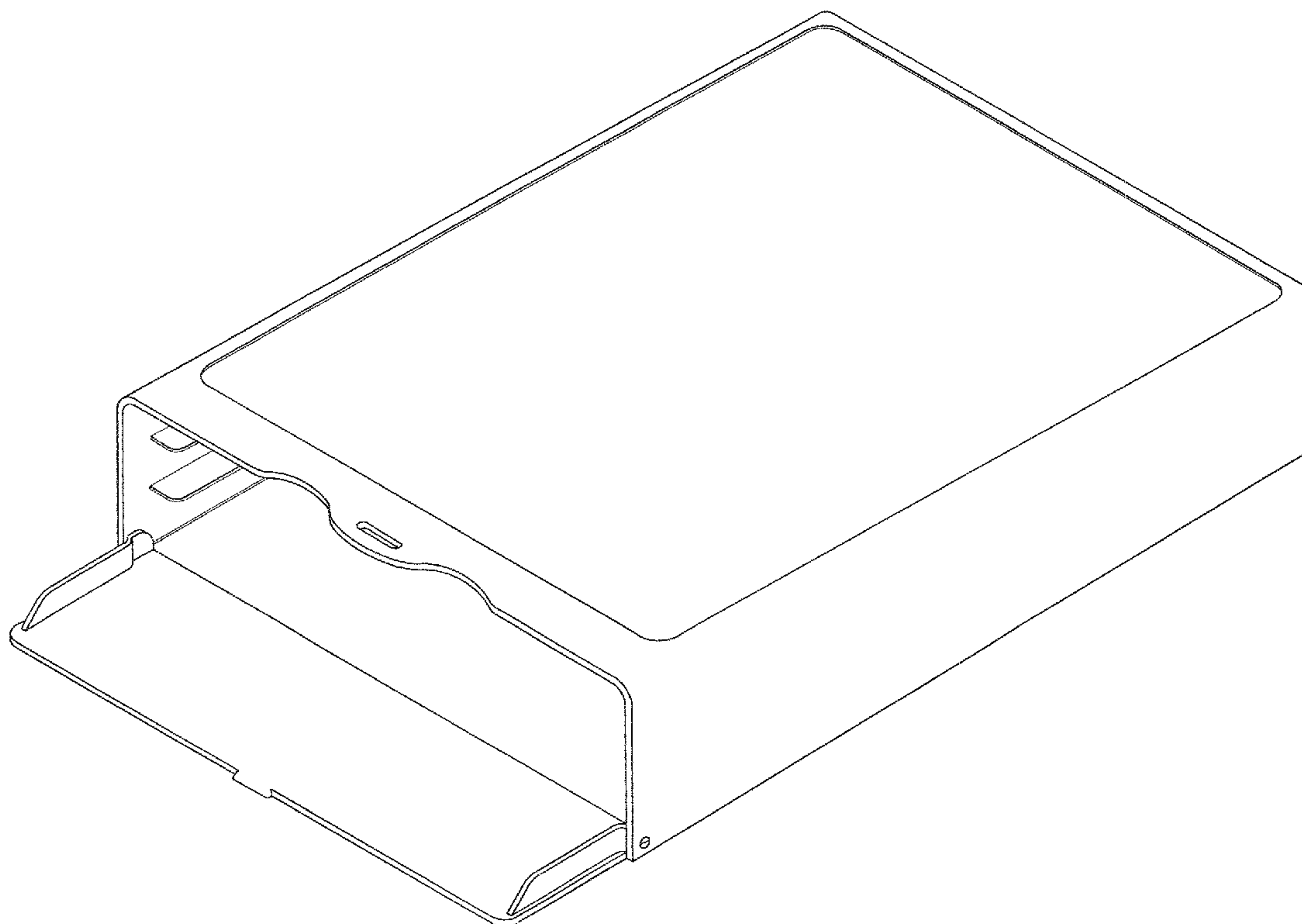
(57) **CLAIM**

The ornamental design for a architectural tile display box, as shown and described.

**DESCRIPTION**

FIG. 1 is a perspective view of a architectural tile display box, according to our new design;  
FIG. 2 is a top plan view thereof;  
FIG. 3 is a front view thereof;  
FIG. 4 is a side view thereof; and,  
FIG. 5 is a perspective view thereof with a front side door in an open position.

**1 Claim, 4 Drawing Sheets**



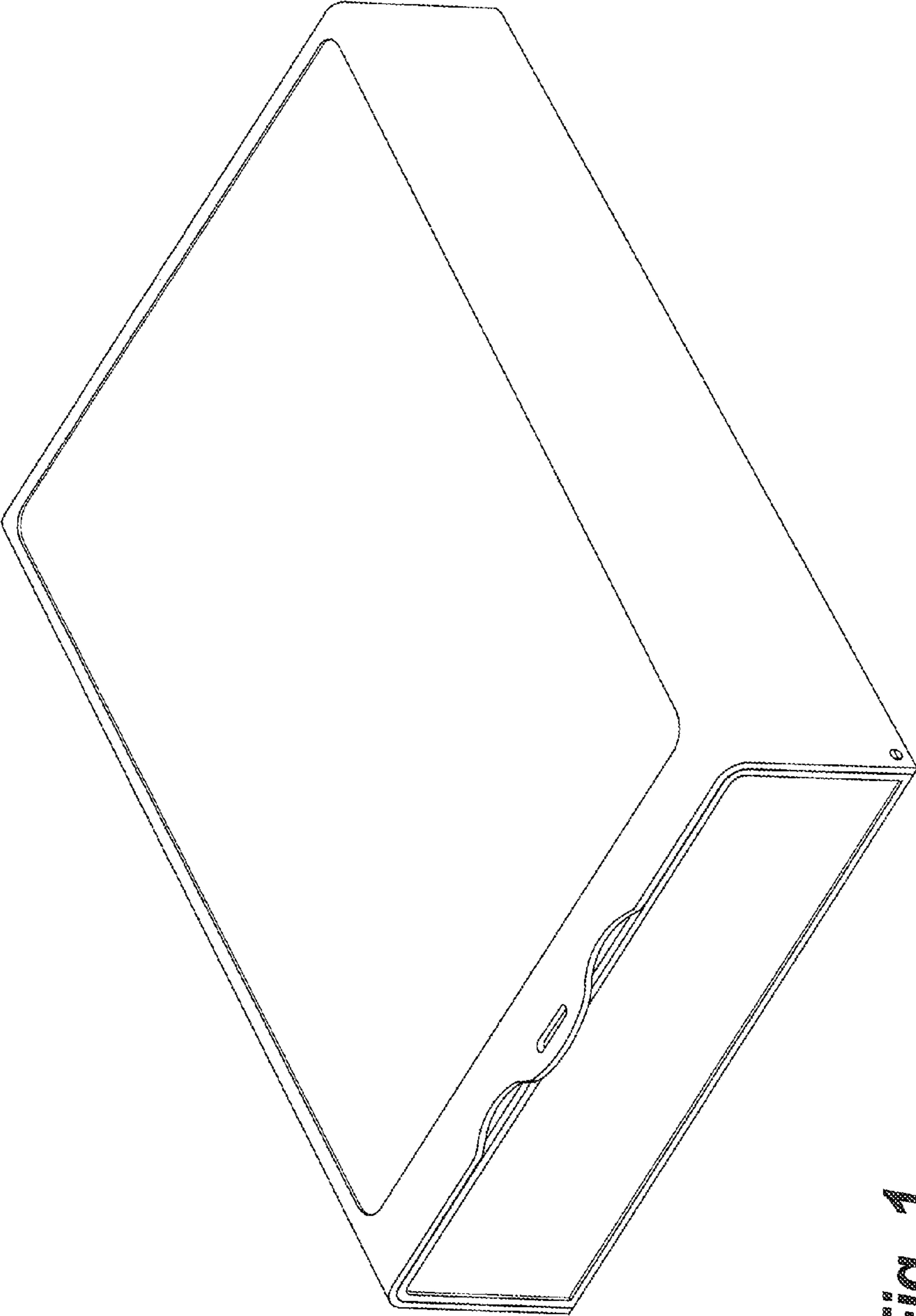
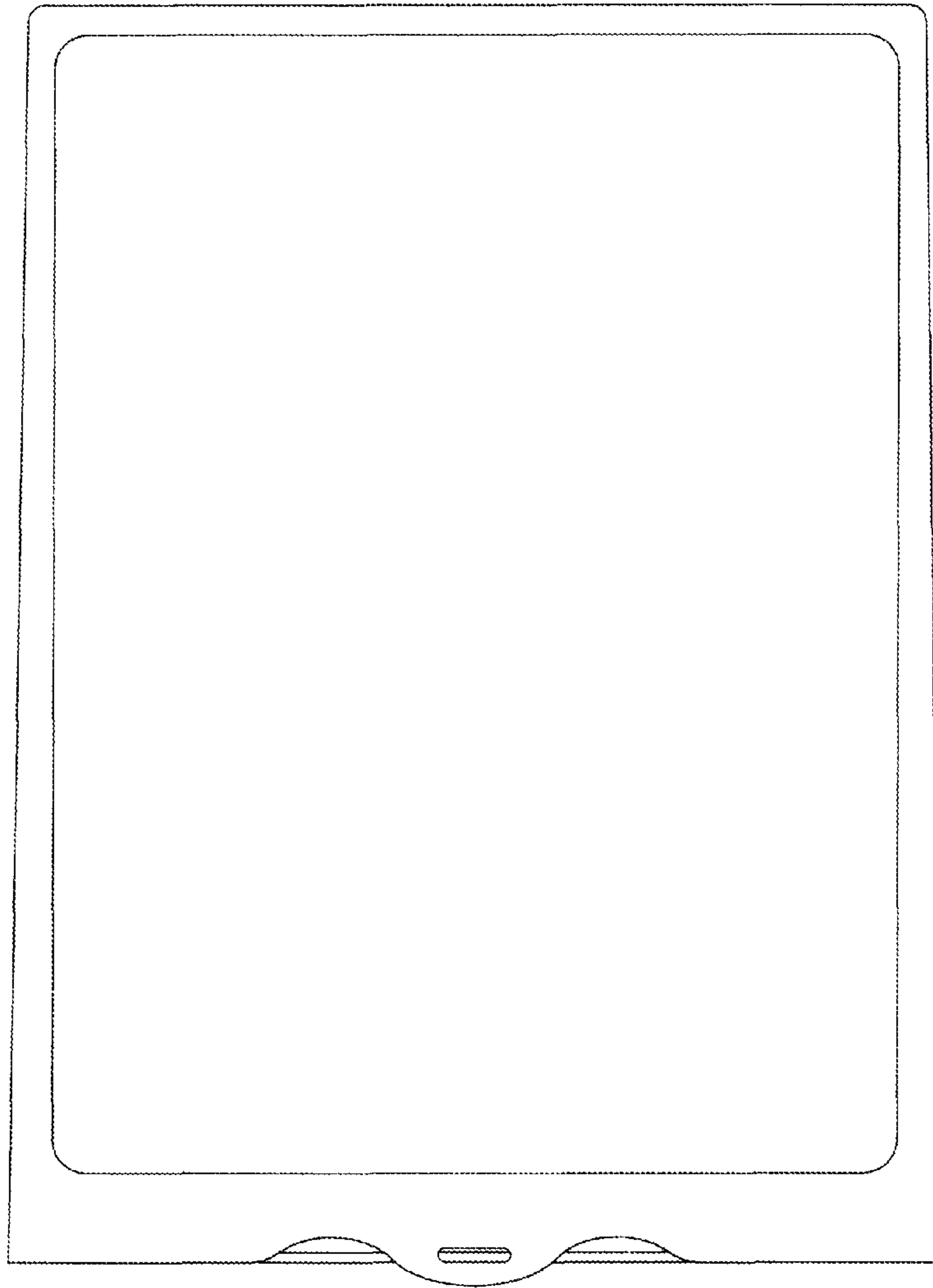
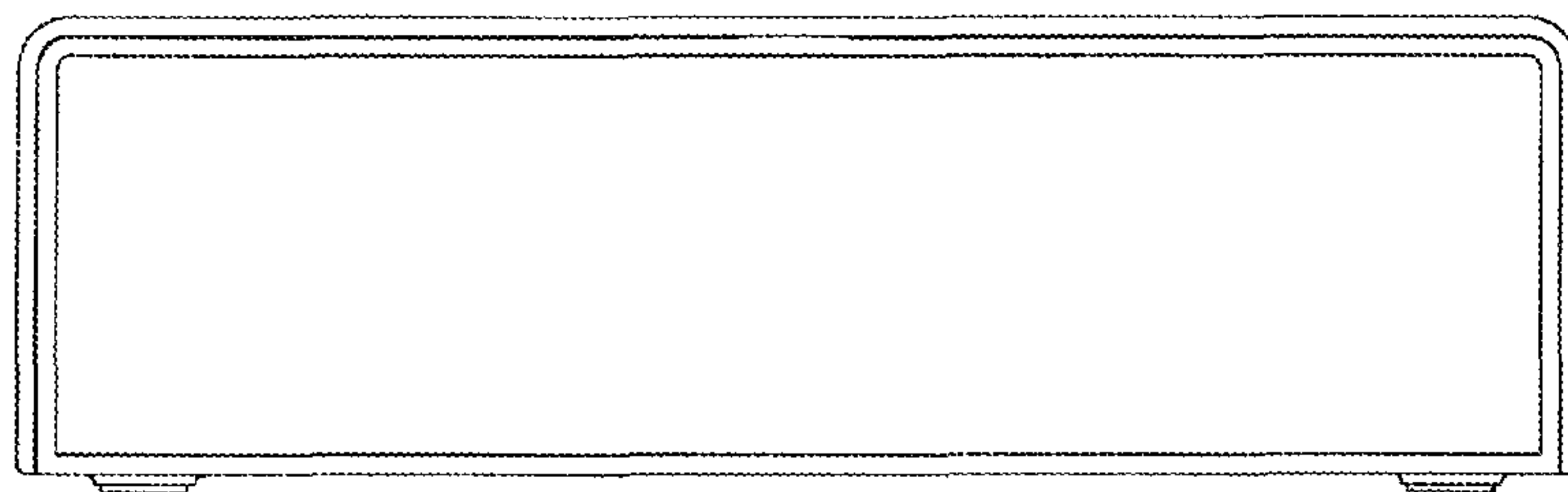


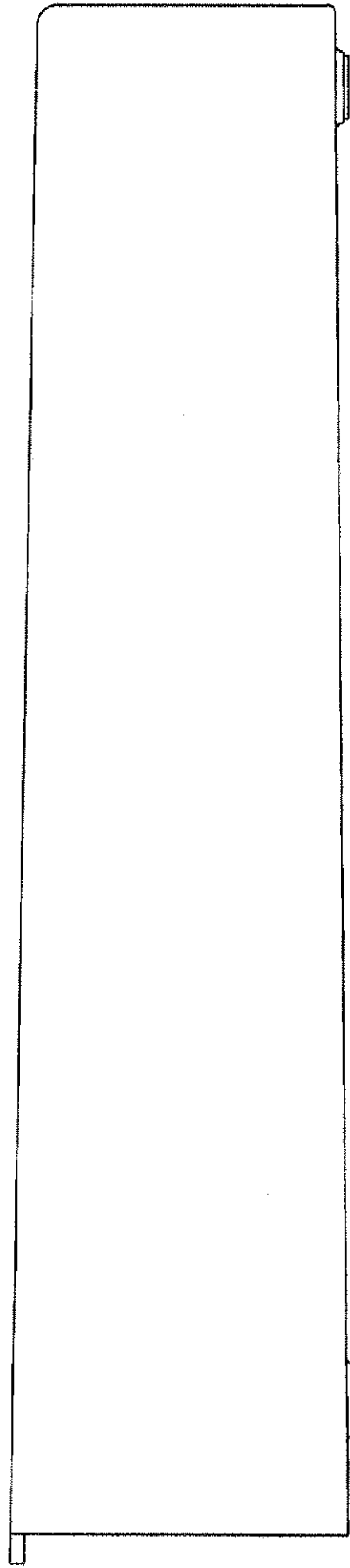
Fig. 1



*Fig. 2*



*Fig. 3*



**Fig. 4**

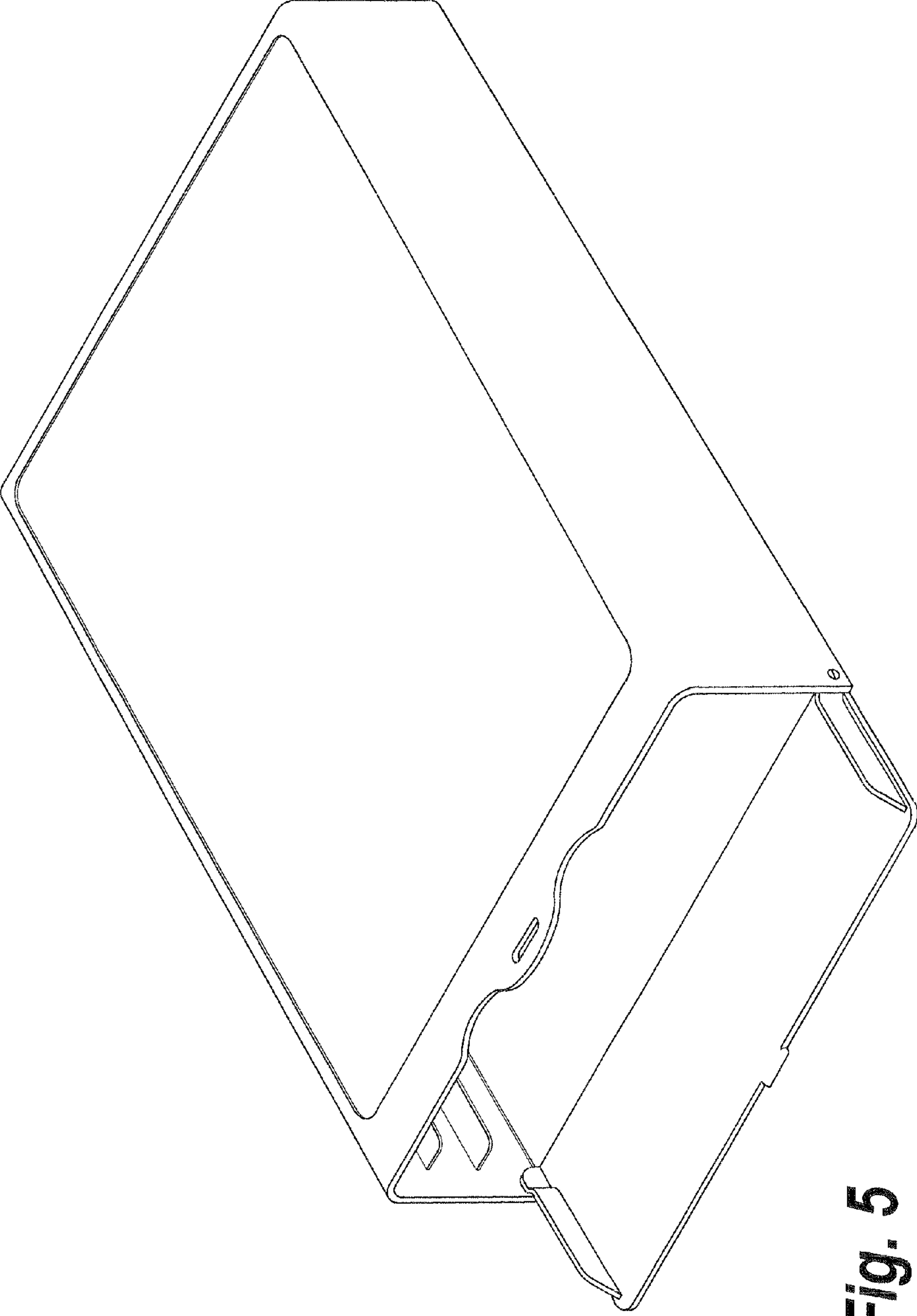


Fig. 5