



US00D675907S

(12) **United States Design Patent**  
**Yoo**

(10) **Patent No.:** **US D675,907 S**

(45) **Date of Patent:** **\*\* Feb. 12, 2013**

(54) **BLIND CLIP**

(75) Inventor: **Chul Yoo**, Seoul (KR)

(73) Assignee: **Eugene High-Tech Co., Ltd.**,  
Pocheon-si, Gyeonggi-do (KR)

(\*\*) Term: **14 Years**

(21) Appl. No.: **29/422,334**

(22) Filed: **May 18, 2012**

(30) **Foreign Application Priority Data**

Apr. 25, 2012 (KR) ..... 30-2012-0019942

(51) **LOC (9) Cl.** ..... **08-08**

(52) **U.S. Cl.** ..... **D8/394**

(58) **Field of Classification Search** ..... D8/354,  
D8/356, 371, 394-396; D19/65, 86; D24/128;  
248/74.2, 215, 227.1, 49, 300, 301, 316.7,  
248/51, 489; 24/570, 3.12; D32/61; D11/78.1  
See application file for complete search history.

(56) **References Cited**

**U.S. PATENT DOCUMENTS**

2,627,917	A *	2/1953	Lind	160/173 R
6,186,457	B1 *	2/2001	Carter	248/251
D443,788	S *	6/2001	Horsten	D6/580
6,382,296	B1 *	5/2002	Judkins	160/178.1 R
6,619,366	B2 *	9/2003	Ciucă	160/176.1 R
7,048,028	B2 *	5/2006	Wolfe et al.	160/173 R
7,143,562	B2 *	12/2006	Krantz-Lilienthal et al.	52/506.06
7,284,736	B2 *	10/2007	Franssen	248/251
7,766,068	B2 *	8/2010	Andersen	160/173 R

7,788,875	B2 *	9/2010	Wendt	52/712
7,930,864	B2 *	4/2011	Wendt	52/712
2003/0155474	A1 *	8/2003	Dean et al.	248/300
2009/0152422	A1 *	6/2009	Ng et al.	248/265

\* cited by examiner

*Primary Examiner* — John Windmuller

(74) *Attorney, Agent, or Firm* — D. Peter Hochberg; Sean F. Mellino; Daniel J. Smola

(57) **CLAIM**

The ornamental design for a blind clip, as shown and described.

**DESCRIPTION**

FIG. 1 is a perspective view of the blind clip according to the invention;

FIG. 2 is a front view of the blind clip, as shown in FIG. 1.

FIG. 3 is a rear view of the blind clip as shown in FIG. 1;

FIG. 4 is a left side view of the blind clip as shown in FIG. 1;

FIG. 5 is a right side view of the blind clip as shown in FIG. 1

shown from the opposite side as that shown in FIG. 4;

FIG. 6 is a top view of the blind clip as shown in FIG. 1;

FIG. 7 is a bottom view of the blind clip as shown in FIG. 1;

FIG. 8 is a perspective view of the blind clip attached to a blind base; and,

FIG. 9 is a front view of the blind clip showing how to attach to a blind base.

The broken lines shown in the figures are for illustrative purposes only and form no part of the claimed design.

**1 Claim, 6 Drawing Sheets**

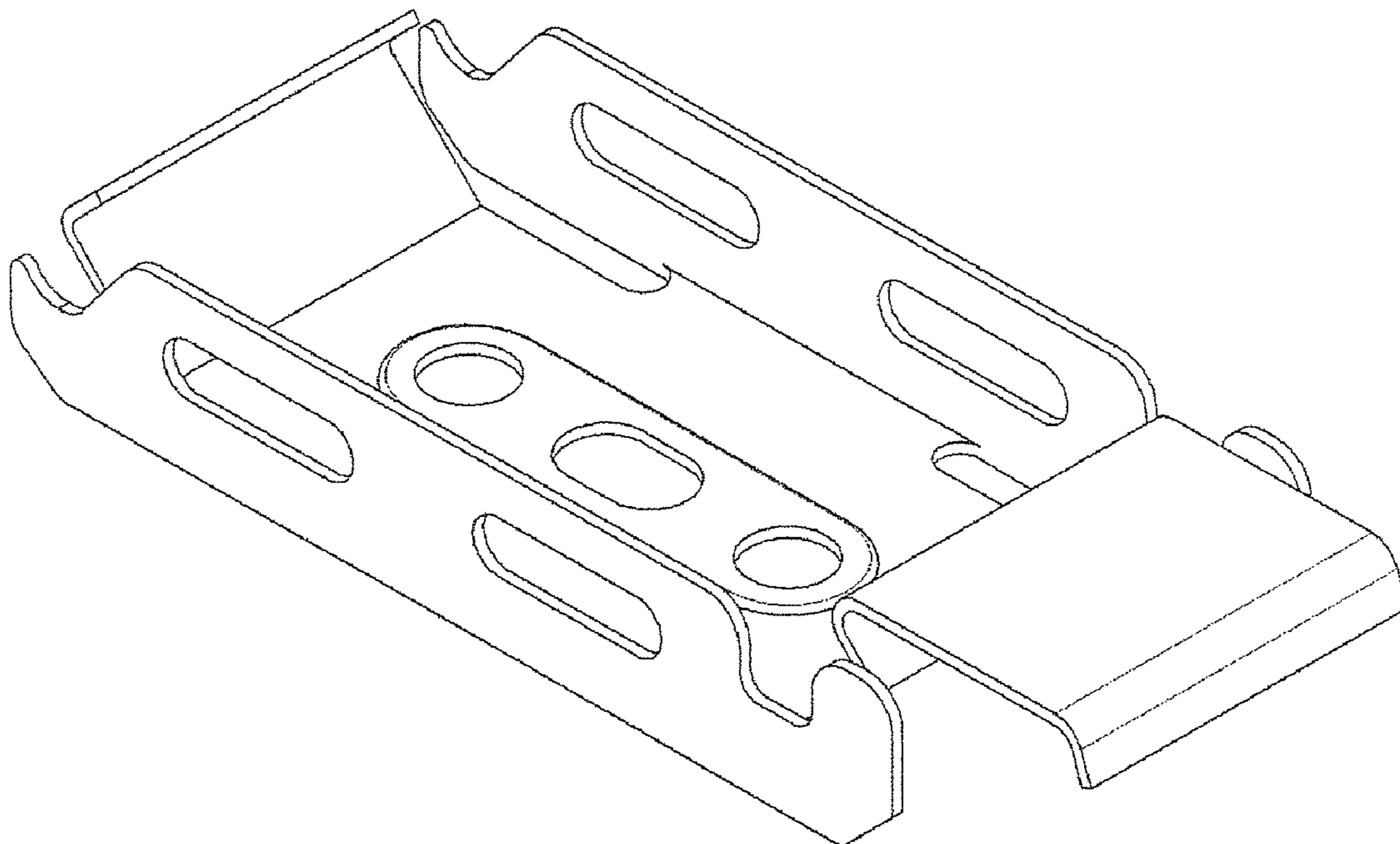


Fig. 1

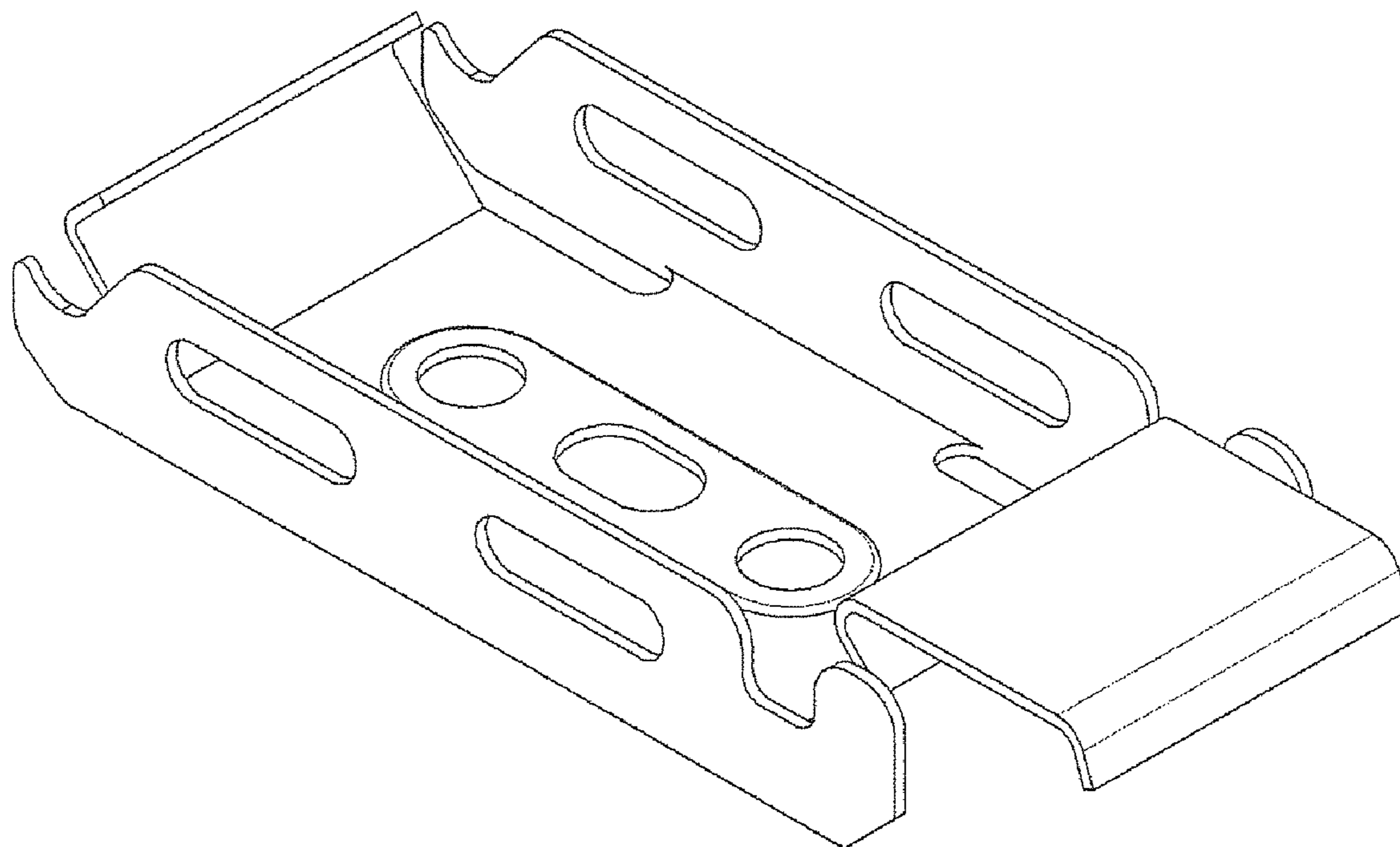


Fig. 2

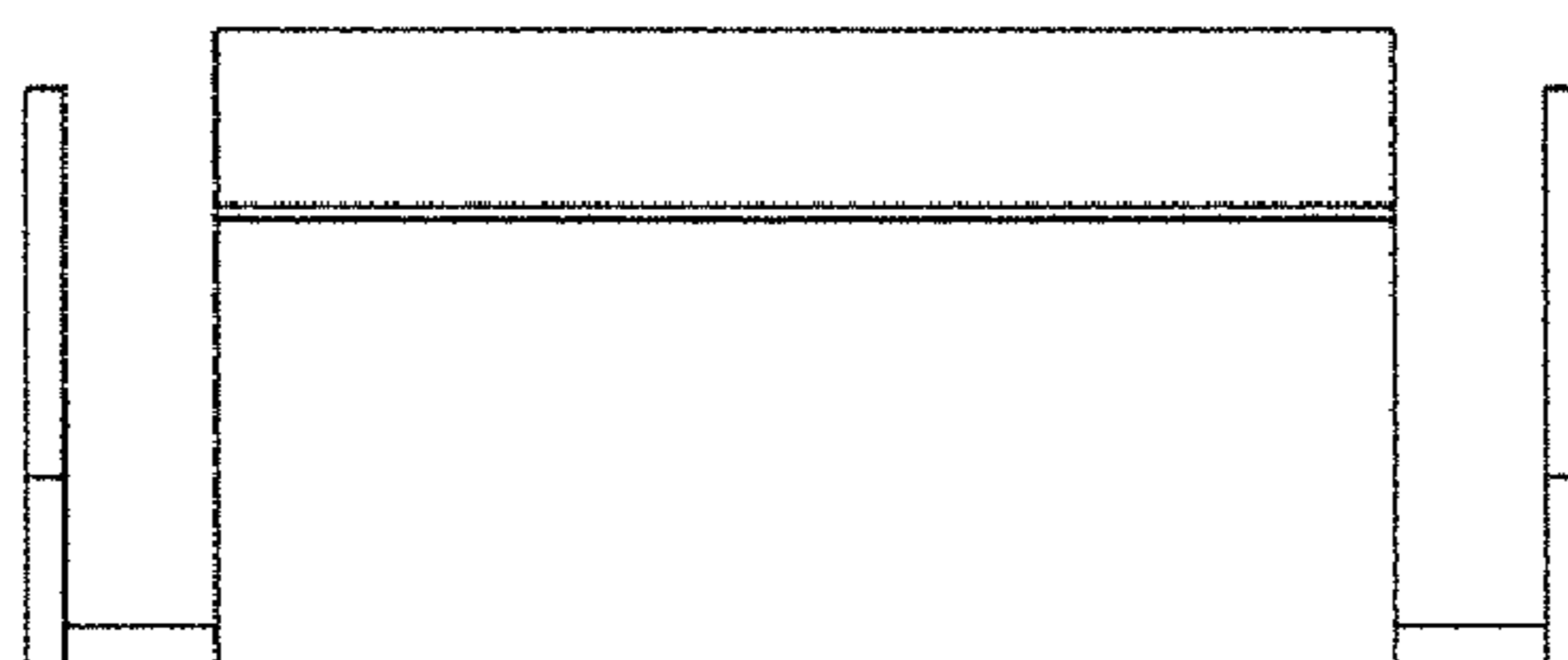


Fig. 3

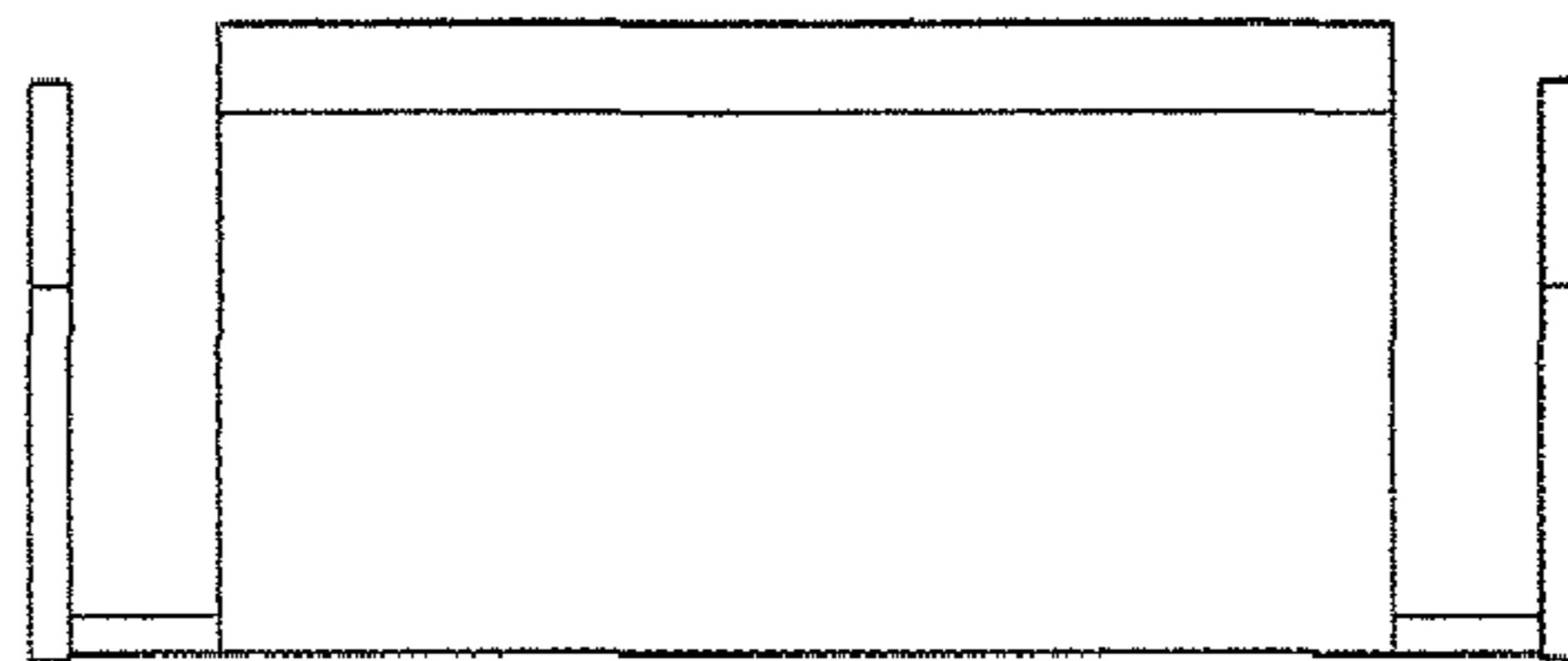


Fig. 4

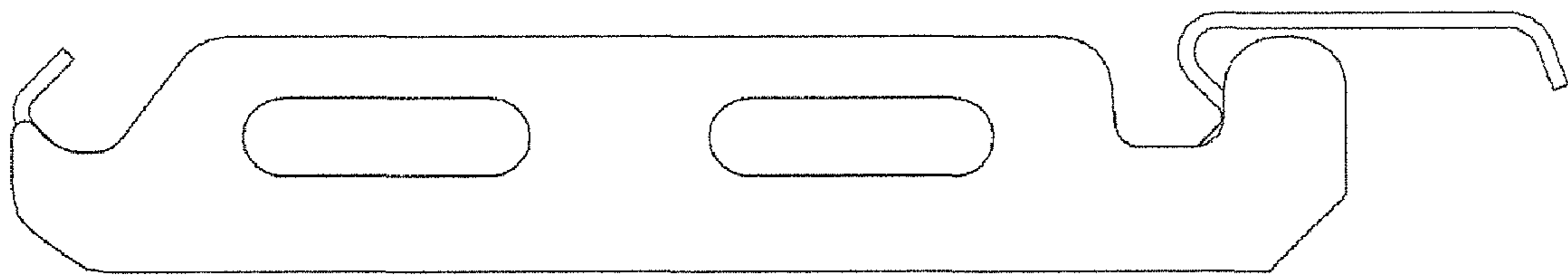


Fig. 5

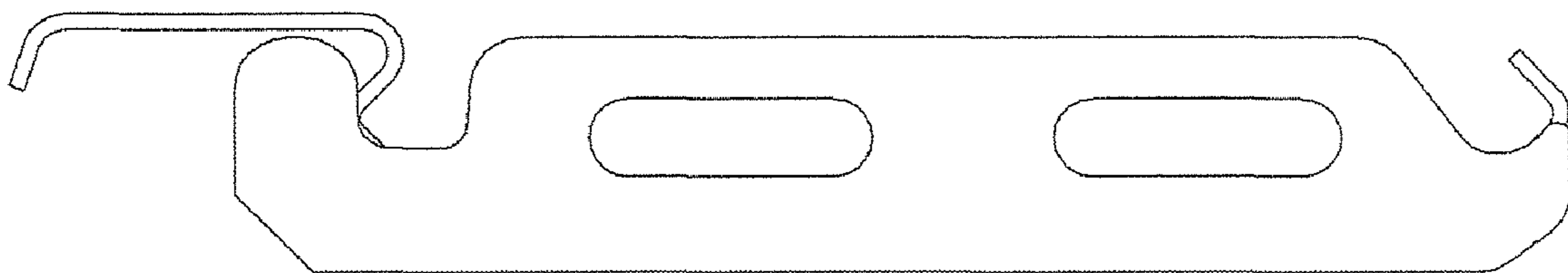


Fig. 6

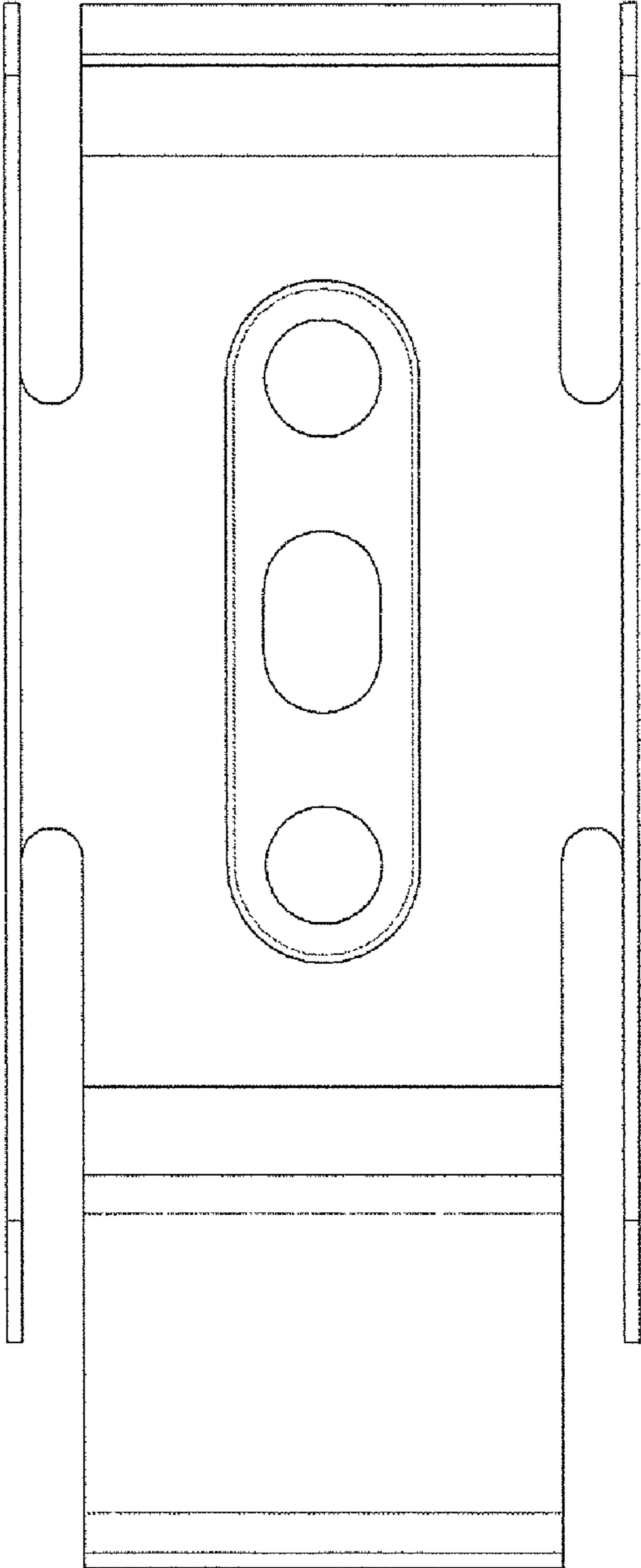


Fig. 7

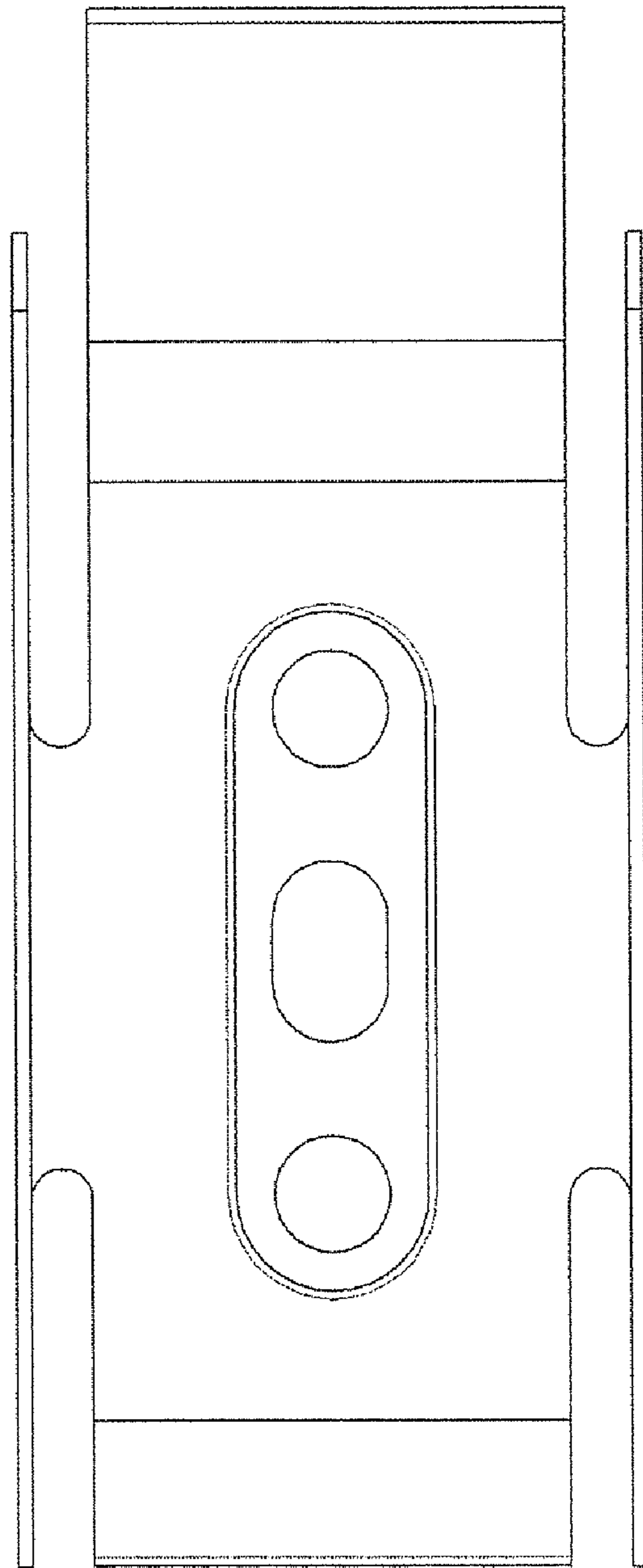


Fig. 8

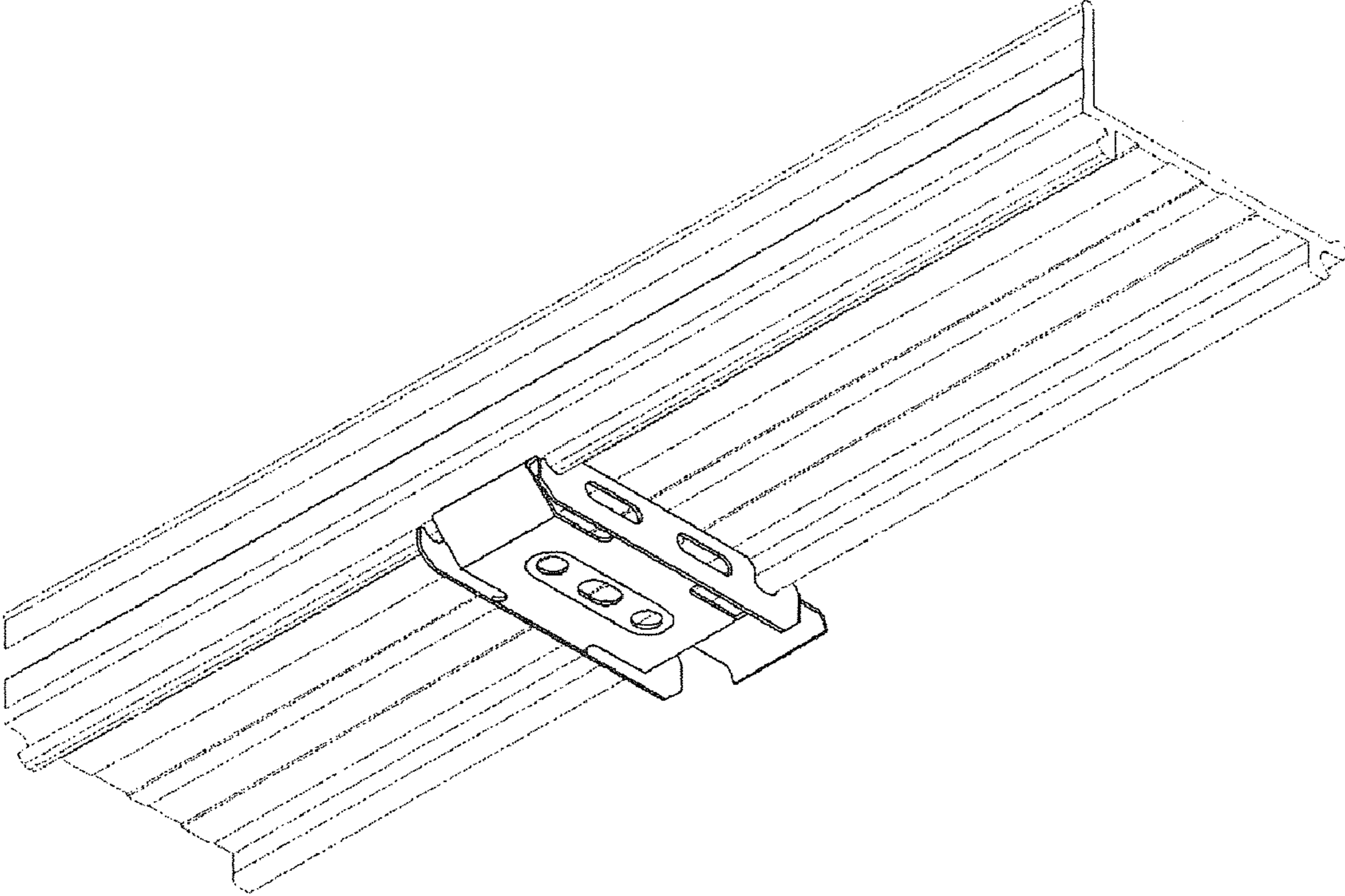


Fig. 9

