



US00D675906S

(12) **United States Design Patent**  
**Erickson**

(10) **Patent No.:** **US D675,906 S**

(45) **Date of Patent:** **\*\* Feb. 12, 2013**

(54) **RIVET FASTENER**

(76) Inventor: **Brent Carl Erickson**, Thamesville (CA)

(\*\*) Term: **14 Years**

(21) Appl. No.: **29/373,307**

(22) Filed: **Mar. 25, 2011**

(30) **Foreign Application Priority Data**

Mar. 22, 2011 (CA) ..... 139784

(51) **LOC (9) Cl.** ..... **08-08**

(52) **U.S. Cl.** ..... **D8/386**

(58) **Field of Classification Search** ..... D8/386,  
D8/385, 382, 393; 411/500, 504, 485, 501,  
411/43

See application file for complete search history.

(56) **References Cited**

**U.S. PATENT DOCUMENTS**

D367,813 S \* 3/1996 Halstrom ..... D8/386  
D416,189 S \* 11/1999 Bollman ..... D8/382

D456,699 S \* 5/2002 Nakanishi ..... D8/382  
D636,255 S \* 4/2011 Suzuki ..... D8/386  
D648,210 S \* 11/2011 Reynoso ..... D8/382

\* cited by examiner

*Primary Examiner* — Sheryl Lane

(57) **CLAIM**

I claim the ornamental design for a rivet fastener, as shown and described.

**DESCRIPTION**

FIG. 1—is a perspective view of the rivet fastener;  
FIG. 2—is a side view of the rivet fastener shown in FIG. 1;  
FIG. 3—is an alternative side view of the rivet fastener of FIG. 1 rotated 90° from the rivet fastener shown in FIG. 2;  
FIG. 4—is a top view of the rivet fastener shown in FIG. 1; and,  
FIG. 5—is a bottom view of the rivet fastener shown in FIG. 1.

The broken lines shown in the Figures are for the purpose of illustrating and form no part of the claimed design.

**1 Claim, 2 Drawing Sheets**

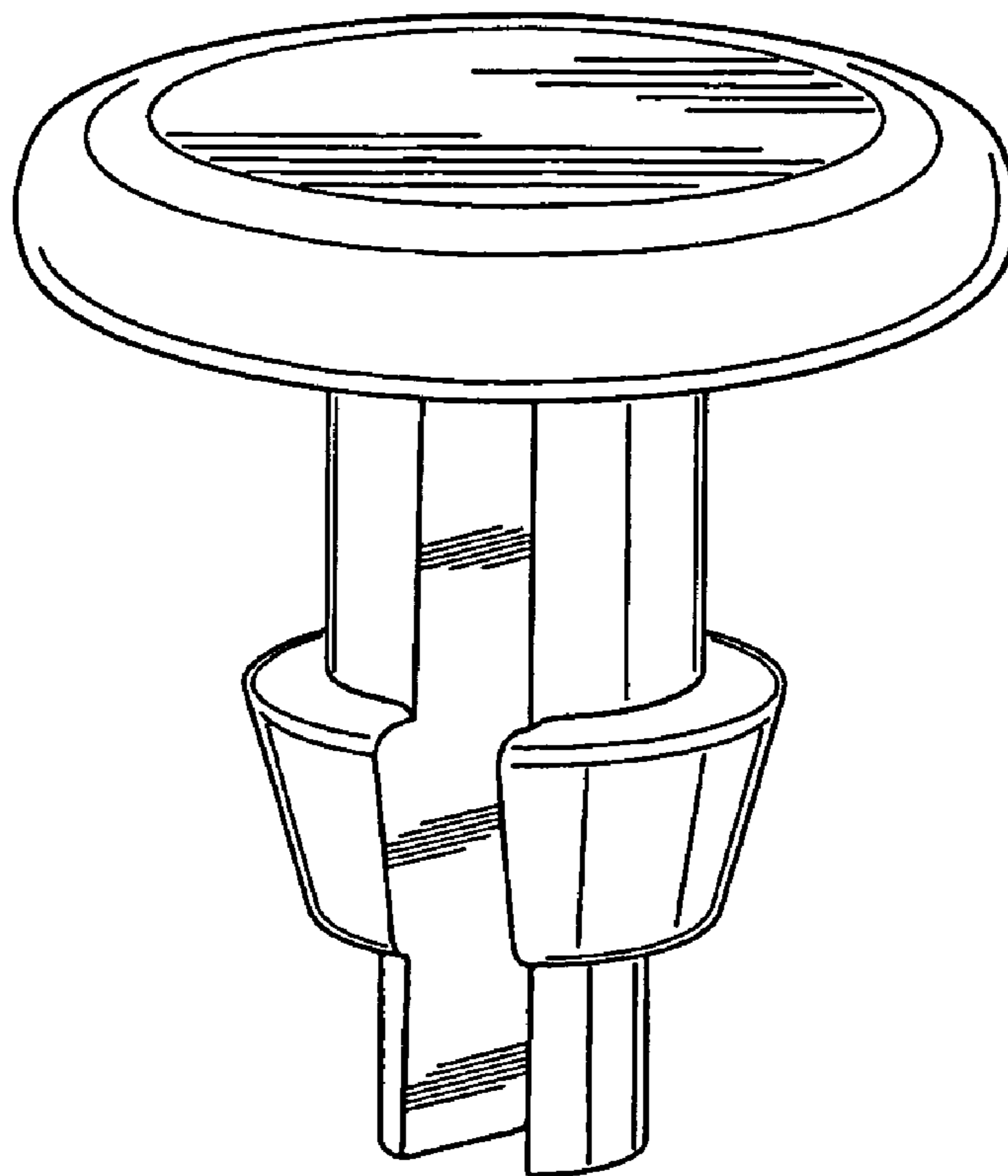


Fig. 1

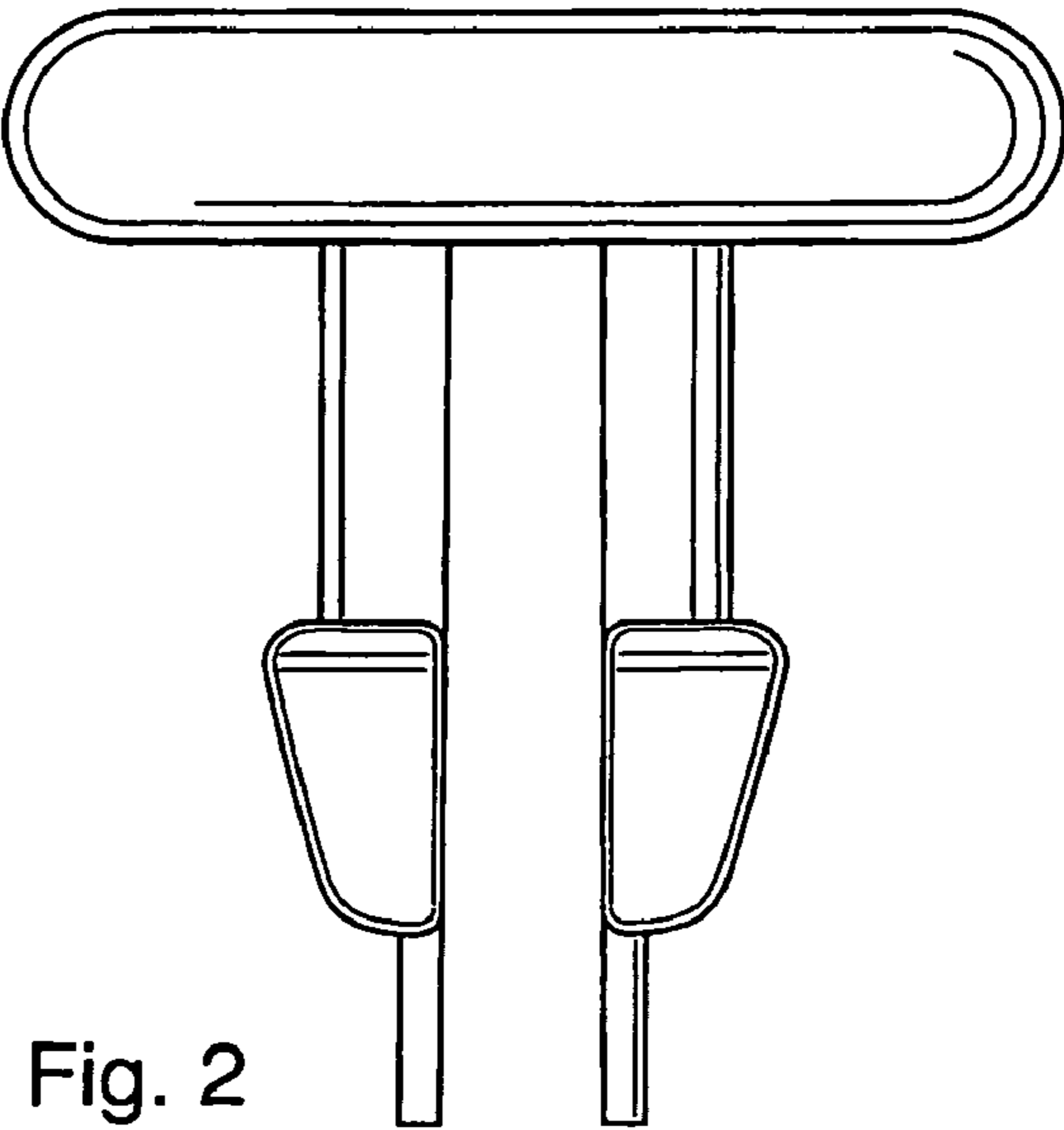
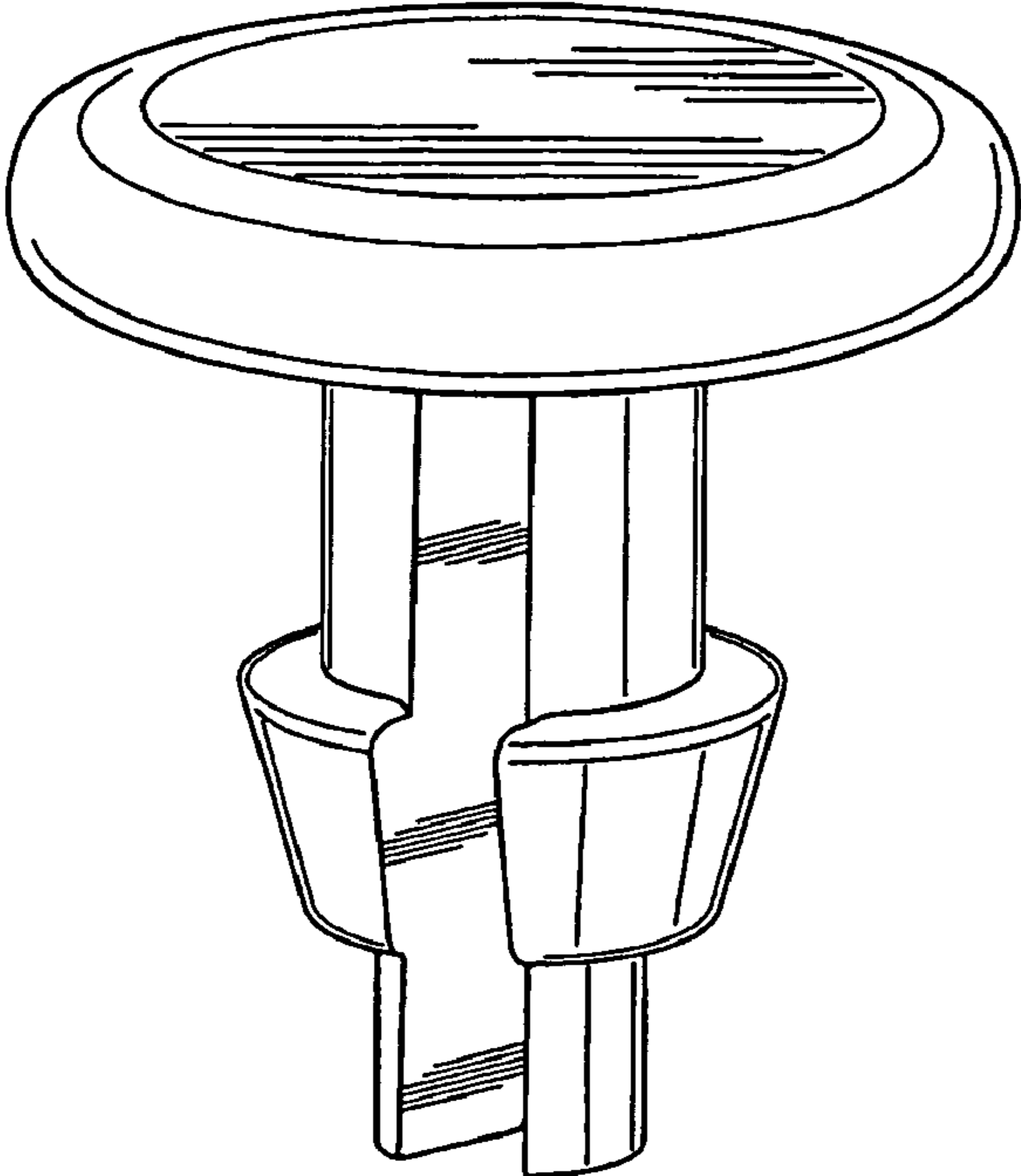


Fig. 2

Fig. 3

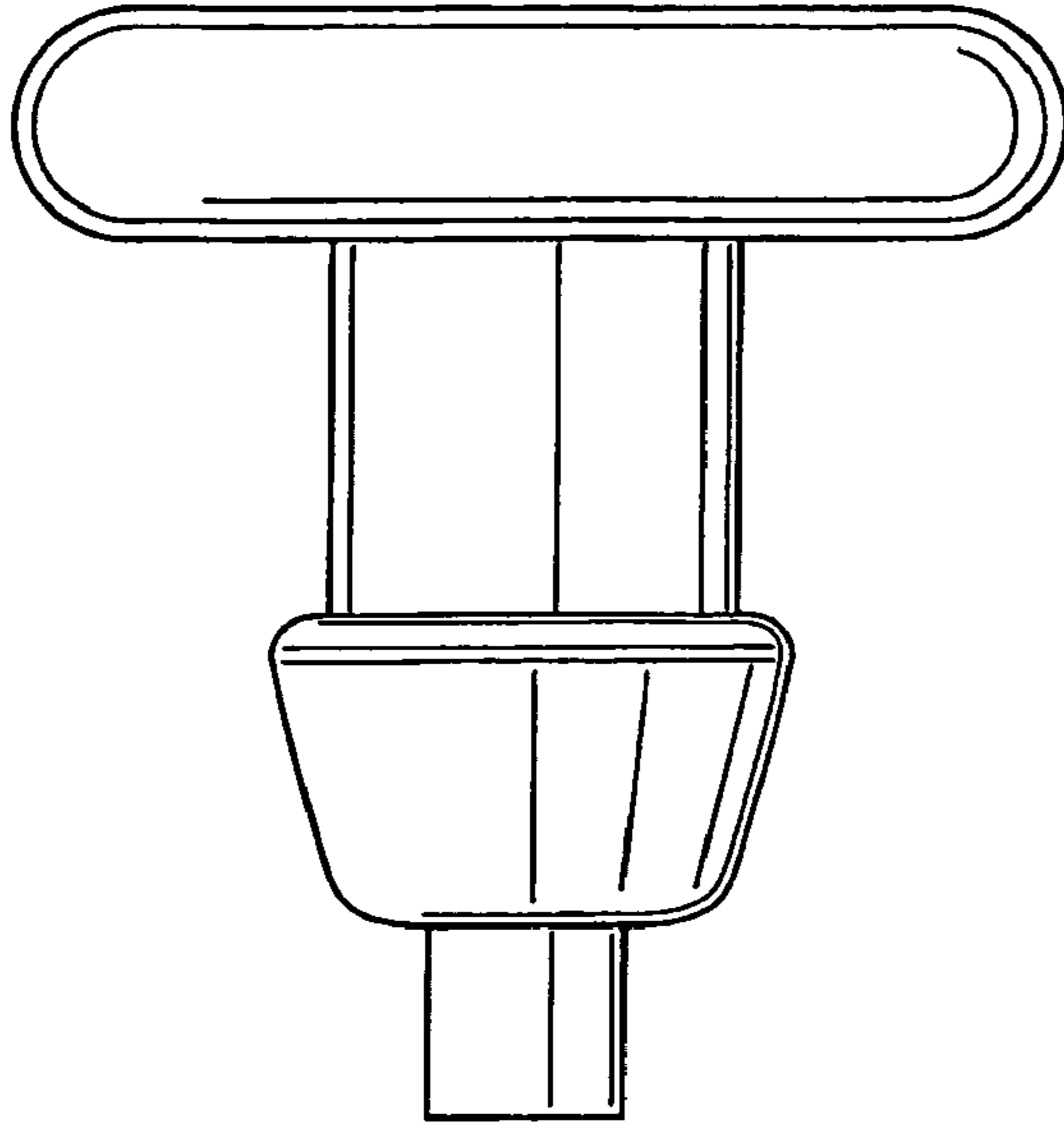


Fig. 4

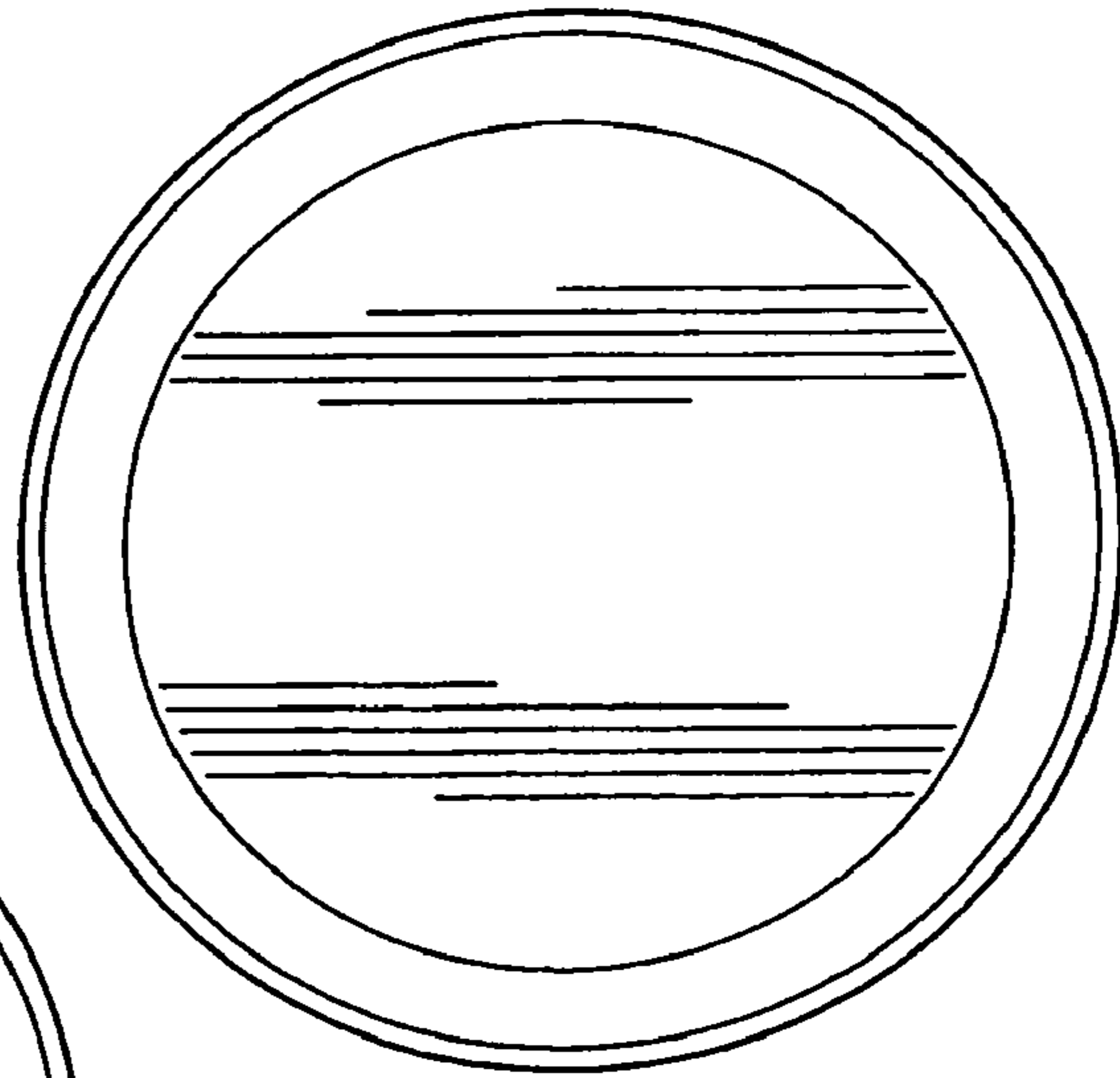


Fig. 5

