



US00D675904S

(12) **United States Design Patent**  
**Rothbaum et al.**

(10) **Patent No.:** **US D675,904 S**  
(45) **Date of Patent:** **\*\* Feb. 12, 2013**

(54) **STRAP WITH CORD ATTACHMENT  
MECHANISM AND HOOK AND LOOP  
CLOSURE FOR A CORD MANAGEMENT  
SYSTEM**

(75) Inventors: **Wayne Rothbaum**, New York, NY (US);  
**Allison S. Conner**, Brooklyn, NY (US);  
**Robert B. Curtis**, New York, NY (US);  
**Jonas K. Damon**, New York, NY (US);  
**Daniel A. Sanchez**, Brooklyn, NY (US)

(73) Assignee: **CJD LLC**, New York, NY (US)

(\*\*) Term: **14 Years**

(21) Appl. No.: **29/401,930**

(22) Filed: **Sep. 16, 2011**

(51) **LOC (9) Cl.** ..... **08-05**

(52) **U.S. Cl.** ..... **D8/356**

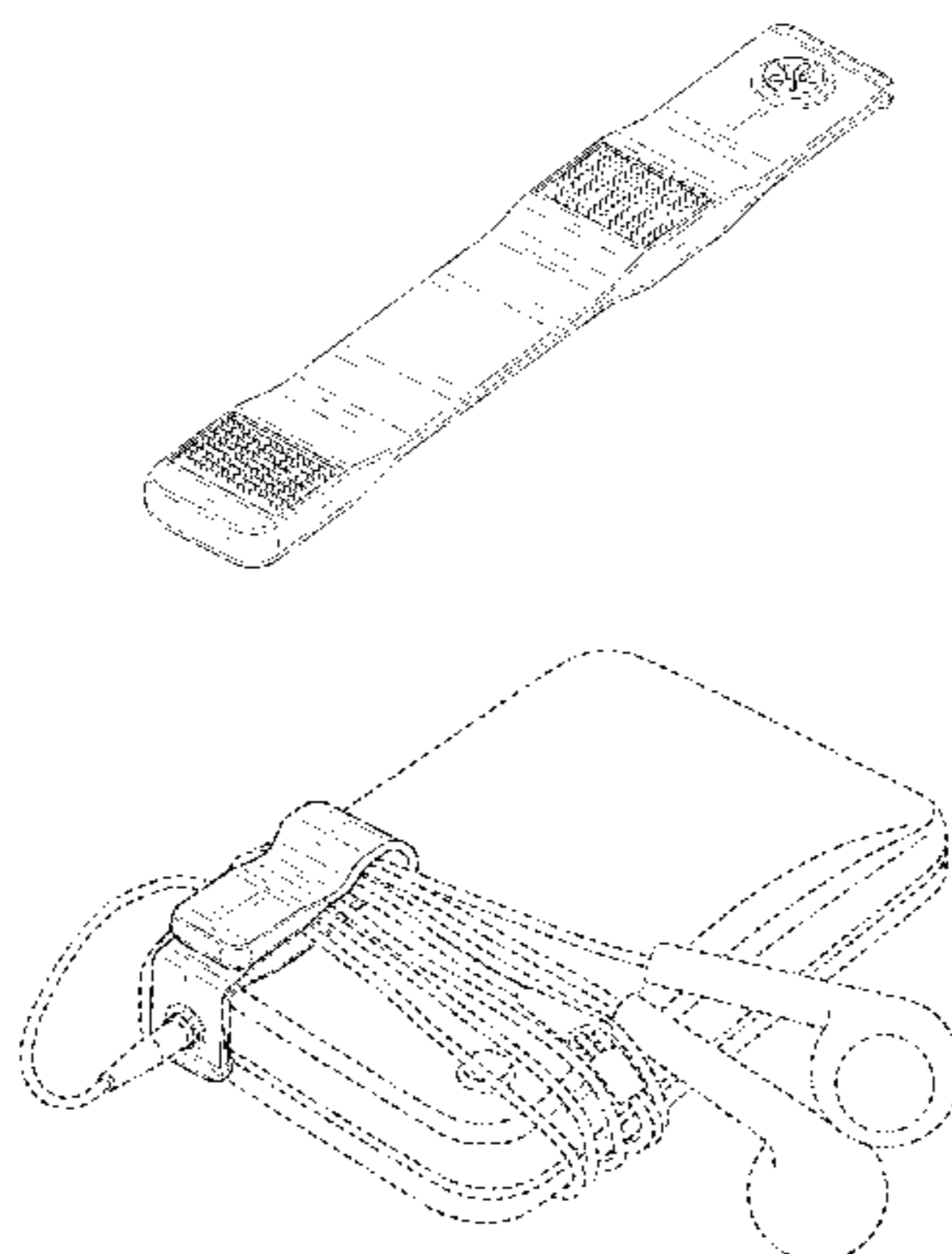
(58) **Field of Classification Search** ..... D8/356,  
D8/354, 349; 220/575; 206/521.15; 439/501;  
381/374; 24/302, 16 R, 306; D14/217, 205  
See application file for complete search history.

(56) **References Cited**

**U.S. PATENT DOCUMENTS**

D39,960 S	5/1909	Mussillon
1,544,386 A	6/1925	Fridolph
1,722,498 A	7/1929	Fridolph
2,965,939 A *	12/1960	Olsson ..... 24/3.7
D206,401 S	12/1966	Fisher
D224,960 S	10/1972	Wilson
3,919,740 A *	11/1975	Scherb ..... 452/187
3,994,048 A	11/1976	Rosenthal
4,815,172 A	3/1989	Ward
4,940,427 A	7/1990	Pearson
4,957,232 A	9/1990	Sprague
5,048,158 A	9/1991	Koerner
5,130,899 A	7/1992	Larkin et al.
5,142,743 A	9/1992	Hahn
5,168,603 A	12/1992	Reed
D357,739 S	4/1995	Stewart et al.
5,402,971 A	4/1995	Bower
5,517,838 A	5/1996	Moore
5,572,773 A	11/1996	Bauer

5,584,452 A	12/1996	Koike
5,586,760 A *	12/1996	Hauter ..... 473/424
5,604,961 A	2/1997	Cole
5,682,653 A	11/1997	Berglof et al.
D390,447 S *	2/1998	Colen, Jr. .... D8/356
5,802,676 A	9/1998	Tolan
D401,137 S	11/1998	Boelling
6,010,105 A *	1/2000	Davis ..... 248/317
6,044,525 A	4/2000	Sastre et al.
6,085,393 A	7/2000	Tsui et al.
6,301,754 B1	10/2001	Grunberger et al.
6,344,021 B1	2/2002	Juster et al.
6,427,290 B1	8/2002	Liu
6,467,132 B1	10/2002	Robley
6,490,767 B2	12/2002	Haiduk
6,499,199 B2	12/2002	Frazier
6,581,885 B2	6/2003	Polad
6,588,074 B2	7/2003	Galkiewicz et al.
6,701,580 B1	3/2004	Bandyopadhyay
D488,374 S	4/2004	Hussaini et al.
6,763,554 B1	7/2004	Torrey et al.
6,880,270 B2	4/2005	Prather
7,039,958 B2	5/2006	Henricksen
7,096,544 B2	8/2006	Lusardi
7,213,278 B2	5/2007	Peterson et al.
D567,630 S	4/2008	Brassard
D567,631 S	4/2008	Brassard
D572,156 S	7/2008	Payne
7,516,591 B2	4/2009	Wolner et al.
7,543,359 B2	6/2009	Moughelbay et al.
D599,196 S	9/2009	Ruffin et al.
D613,137 S	4/2010	Wieberdink et al.
7,712,696 B2	5/2010	Loh
D619,884 S	7/2010	Hansort
D624,378 S *	9/2010	Wysopal ..... D8/40
D625,579 S	10/2010	Lee et al.
D636,659 S	4/2011	Rothbaum et al.
D639,963 S	6/2011	Kase
8,002,159 B2	8/2011	Cragg
D645,333 S	9/2011	Rothbaum et al.
8,103,352 B2	1/2012	Fried et al.
D654,052 S	2/2012	Lee et al.
D660,740 S *	5/2012	Cullen et al. .... D11/3
2001/0035242 A1	11/2001	Hughes et al.
2002/0073516 A1	6/2002	Behar
2002/0112323 A1	8/2002	Nire
2003/0167605 A1	9/2003	Schultz
2005/0016760 A1	1/2005	Vasichek
2005/0025329 A1	2/2005	Lee
2005/0255898 A1	11/2005	Huang
2006/0008106 A1	1/2006	Harper
2006/0186150 A1	8/2006	Willows et al.
2007/0086617 A1	4/2007	Loh



2007/0152008 A1 7/2007 Case  
 2008/0041897 A1 2/2008 Malhotra  
 2008/0149679 A1 6/2008 Case et al.  
 2009/0013504 A1 1/2009 Crespo  
 2009/0016559 A1 1/2009 Cleary  
 2009/0314515 A1 12/2009 Bevirt et al.

FOREIGN PATENT DOCUMENTS

CN	201352845	Y	11/2009
GB	2420552	A	5/2006
JP	63125493	U	8/1988
JP	11317995	A	11/1999
JP	2001169381	A	6/2001
JP	2003230418	A	8/2003
JP	2003319484	A	11/2003
JP	2006081130	A	3/2006
JP	2006-222712	A	8/2006
JP	2009212918	A	9/2009
WO	WO 2004/071056	A1	8/2004

OTHER PUBLICATIONS

Earbud Clips, printed Jun. 7, 2010, 3 pages., [www.wetjetset.com/store/item/42](http://www.wetjetset.com/store/item/42).  
 Headphone Cable Tidy—Pack of 3—Accessories for PDA, Smartphone . . . , printed Jun. 7, 2010, 1 page, [www.proporta.com/F02/PPF02P05.php?t\\_id=4452&t\\_mode=des](http://www.proporta.com/F02/PPF02P05.php?t_id=4452&t_mode=des) . . . .  
 Quogue Capital LLC et al., PCT/US2009/067927, Dec. 14, 2009, International Search Report and Written Opinion mailed Jul. 14, 2010, 8 pages.  
*Sumajin SmartWrap Earphone Cord Manager*, printed Jun. 7, 2010, 3 pages, [www.ilounge.com/index.php/reviews/entry/sumajin-smartwrap](http://www.ilounge.com/index.php/reviews/entry/sumajin-smartwrap) . . . .  
*Use Magnetic Paper Clips to Keep Cords from Tangling*, , printed Jun. 7, 2010, 5 pages, [www.geeksugar.com/Use-Magnetic-Paper-Clips-Keep-Cords-From-Tangling](http://www.geeksugar.com/Use-Magnetic-Paper-Clips-Keep-Cords-From-Tangling).  
 CJD LLC, PCT/US2010/031087, Apr. 14, 2010, International Search Report and Written Opinion mailed Apr. 29, 2011, 23 pages.  
 Rothbaum et al., PCT/US2010/053244, Oct. 19, 2010, International Search Report and Written Opinion mailed Jun. 24, 2011, 22 pages.

\* cited by examiner

*Primary Examiner* — Cynthia Underwood  
 (74) *Attorney, Agent, or Firm* — Morgan, Lewis & Bockius LLP

(57) **CLAIM**  
 The ornamental design for a strap with cord attachment mechanism and hook and loop closure for a cord management system, as shown and described.

**DESCRIPTION**

The present application relates to the following Patents and Applications:

to U.S. utility patent application Ser. No. 12/761,326 filed Apr. 15, 2010, entitled Cord Management System, to U.S. design Pat. No. D636,659 filed Aug. 27, 2010, entitled Strap for a Cord Management System, to U.S. design patent application Ser. No. 29/368,755 filed Aug. 27, 2010, also entitled Strap for a Cord Management System, to U.S. design application Ser. No. 29/388,372 filed Mar. 28, 2011, also entitled Strap for a Cord Management System, to U.S. design application Ser. No. 29/401,643 filed Sep. 13, 2011, entitled Strap with Hook and Loop Closure for a Cord Management System, to U.S. design application Ser. No. 29/401,359 filed Sep. 11, 2011, entitled Strap with Cord Attachment Mechanism for a Cord Management System, and to U.S. design application Ser. No. 29/401,360 filed Sep. 11, 2011 entitled Clip for a Cord Management System. FIG. 1 is a perspective view of an embodiment of our new design of a strap with a cord attachment mechanism and hook and loop closure for a cord management system. FIG. 2 is a top view of the embodiment of FIG. 1. FIG. 3 is a bottom view of the embodiment of FIG. 1. FIG. 4 is a view of a first side of the embodiment of FIG. 1. FIG. 5 is a view of a second side of the embodiment of FIG. 1. FIG. 6 is a view of a third side of the embodiment of FIG. 1. FIG. 7 is a view of a fourth side of the embodiment of FIG. 1. FIG. 8 is another perspective view of the embodiment of FIG. 1 provided for illustrative purposes, the perspective view illustrating the embodiment when used in conjunction with an object; and, FIG. 9 is another perspective view of the embodiment of FIG. 1 provided for illustrative purposes, the perspective view illustrating the embodiment when used in conjunction with an object. The broken lines showing elements of the strap with cord attachment mechanism and hook and loop closure for a cord management system in the above described figures are for illustrative purposes only and form no part of the claimed design.

**1 Claim, 6 Drawing Sheets**

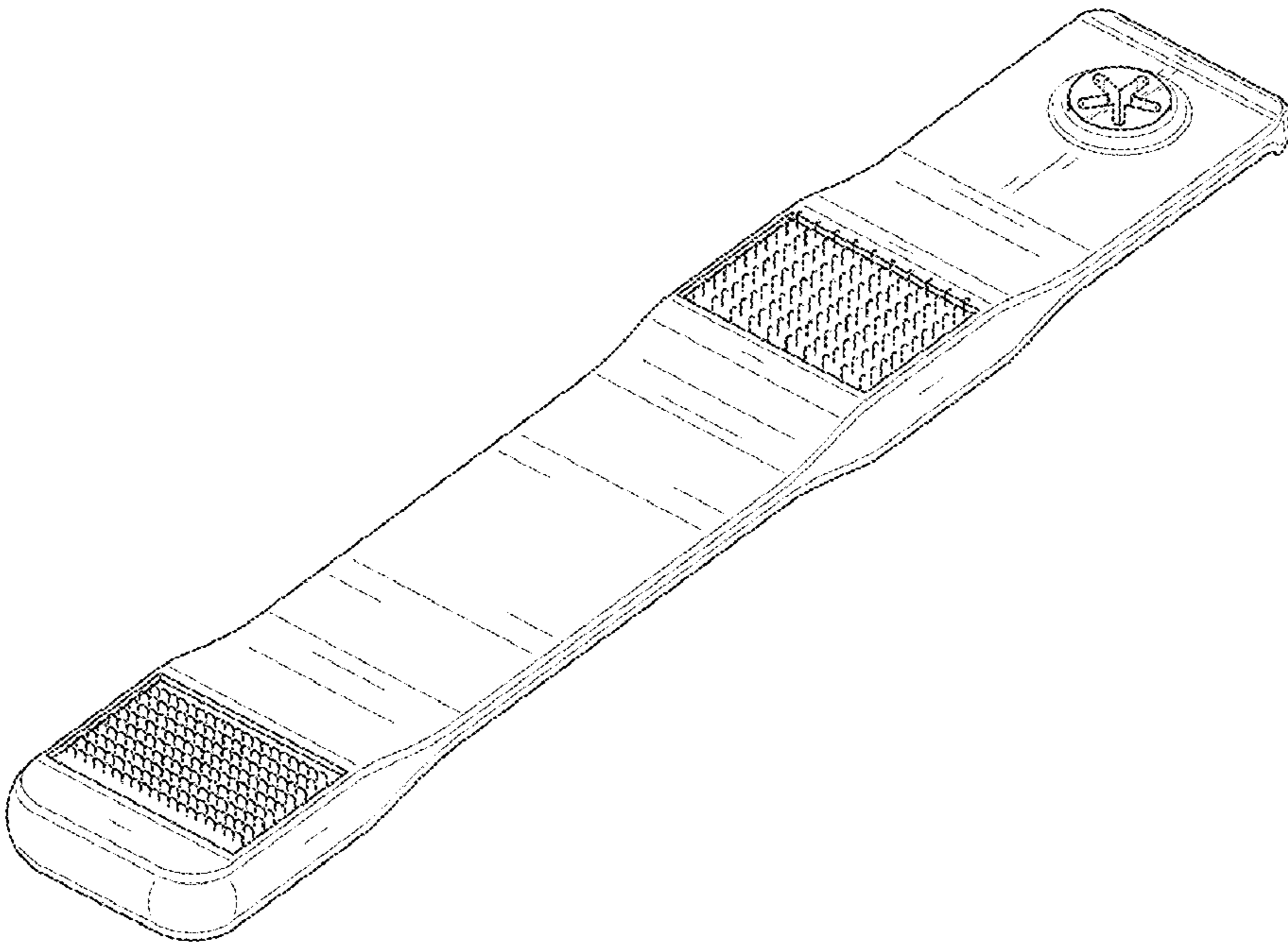


FIG. 1

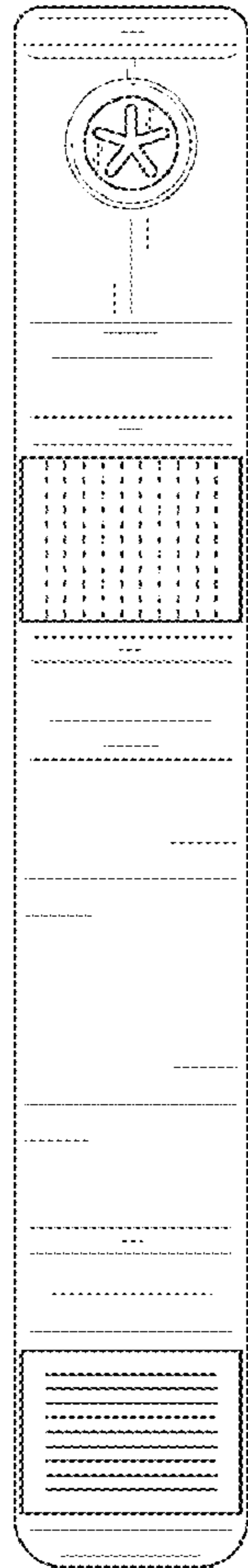


FIG. 2

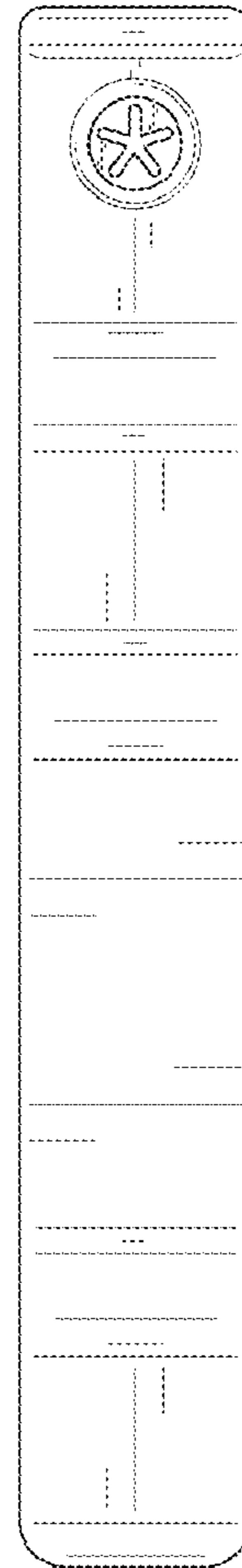


FIG. 3

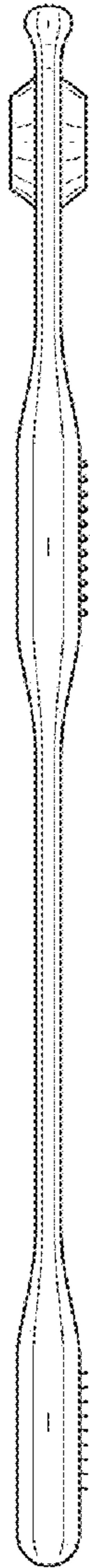


FIG. 4

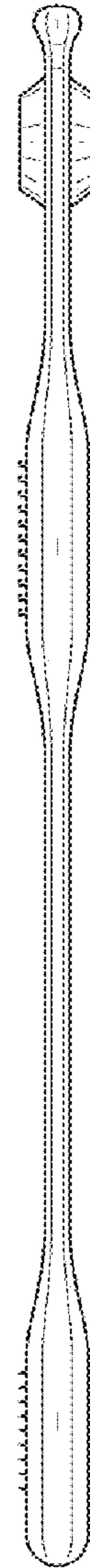


FIG. 5



FIG. 6



FIG. 7

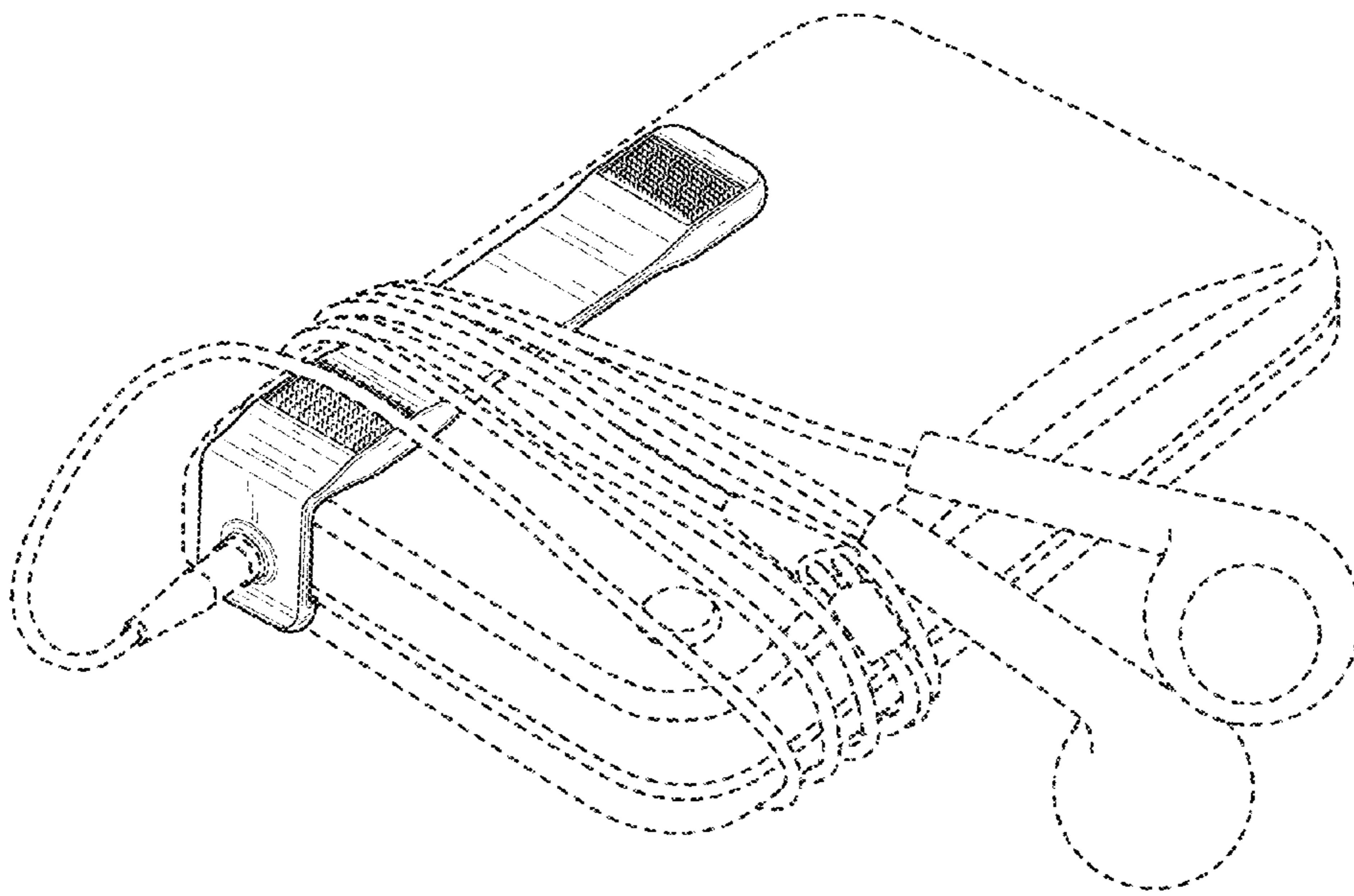


FIG. 8

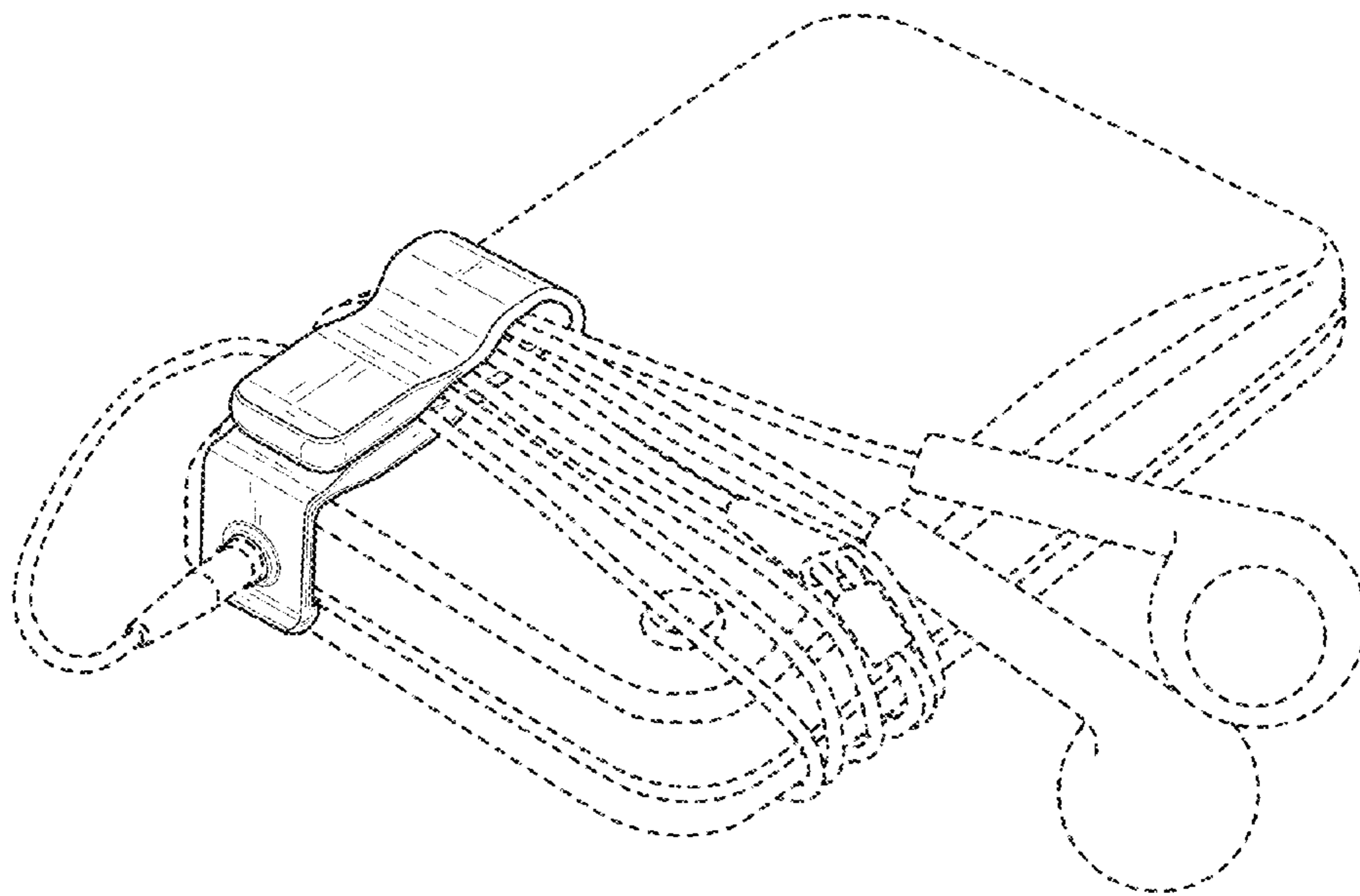


FIG. 9