



US00D675903S

(12) **United States Design Patent**
Rothbaum et al.

(10) **Patent No.:** **US D675,903 S**
(45) **Date of Patent:** **** Feb. 12, 2013**

(54) **CLIP FOR A CORD MANAGEMENT SYSTEM**

(75) Inventors: **Wayne Rothbaum**, New York, NY (US);
Allison S. Conner, Brooklyn, NY (US);
Robert B. Curtis, New York, NY (US);
Jonas K. Damon, New York, NY (US);
Daniel A. Sanchez, Brooklyn, NY (US)

(73) Assignee: **CJD LLC**, New York, NY (US)

(**) Term: **14 Years**

(21) Appl. No.: **29/401,360**

(22) Filed: **Sep. 11, 2011**

(51) **LOC (9) Cl.** **08-05**

(52) **U.S. Cl.** **D8/356**

(58) **Field of Classification Search** D8/356,
D8/354, 349; 220/575; 206/521.15; 24/302,
24/16 R, 306; 439/501; 381/374; D14/217,
D14/205

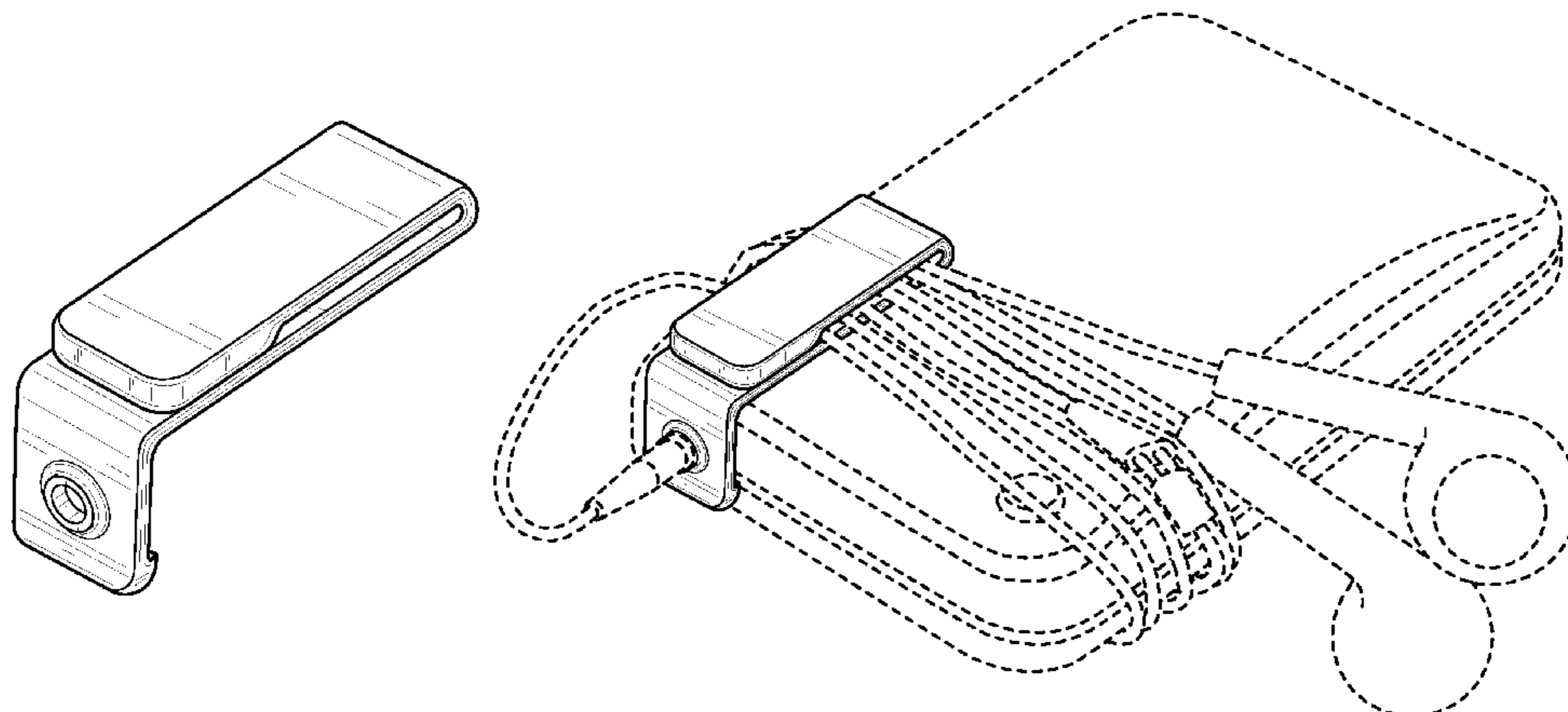
See application file for complete search history.

(56) **References Cited**

U.S. PATENT DOCUMENTS

D39,960 S	5/1909	Mussillon	
1,544,386 A	6/1925	Fridolph	
1,722,498 A	7/1929	Fridolph	
D206,401 S	12/1966	Fisher	
D224,960 S	10/1972	Wilson	
3,994,048 A	11/1976	Rosenthal	
4,815,172 A	3/1989	Ward	
4,940,427 A	7/1990	Pearson	
4,957,232 A	9/1990	Sprague	
5,048,158 A	9/1991	Koerner	
5,130,899 A	7/1992	Larkin et al.	
5,142,743 A	9/1992	Hahn	
5,168,603 A	12/1992	Reed	
D357,739 S	4/1995	Stewart et al.	
5,402,971 A	4/1995	Bower	
5,517,838 A	5/1996	Moore	
5,572,773 A	11/1996	Bauer	
5,584,452 A	12/1996	Koike	
5,604,961 A	2/1997	Cole	
5,682,653 A	11/1997	Berglof et al.	
D390,447 S *	2/1998	Colen, Jr.	D8/356
5,802,676 A	9/1998	Tolan	

D401,137 S	11/1998	Boelling	
6,010,105 A *	1/2000	Davis	248/317
6,044,525 A	4/2000	Sastre et al.	
6,085,393 A	7/2000	Tsui et al.	
6,301,754 B1	10/2001	Grunberger et al.	
6,344,021 B1	2/2002	Juster et al.	
6,427,290 B1	8/2002	Liu	
6,467,132 B1	10/2002	Robley	
6,490,767 B2	12/2002	Haiduk	
6,499,199 B2	12/2002	Frazier	
6,581,885 B2	6/2003	Polad	
6,588,074 B2	7/2003	Galkiewicz et al.	
6,701,580 B1	3/2004	Bandyopadhyay	
D488,374 S	4/2004	Hussaini et al.	
6,763,554 B1	7/2004	Torrey et al.	
6,880,270 B2	4/2005	Prather	
7,039,958 B2	5/2006	Henricksen	
7,096,544 B2	8/2006	Lusardi	
7,213,278 B2 *	5/2007	Peterson et al.	5/413 R
D567,630 S	4/2008	Brassard	
D567,631 S	4/2008	Brassard	
D572,156 S *	7/2008	Payne	D10/71
7,516,591 B2	4/2009	Wolner et al.	
7,543,359 B2	6/2009	Moughelbay et al.	
D599,196 S *	9/2009	Ruffin et al.	D8/356
D613,137 S *	4/2010	Wieberdink et al.	D8/14
7,712,696 B2	5/2010	Loh	
D619,884 S	7/2010	Hansort	
D624,378 S *	9/2010	Wysopal	D8/40
D625,579 S	10/2010	Lee et al.	
D636,659 S *	4/2011	Rothbaum et al.	D8/356
D639,963 S	6/2011	Kase	
8,002,159 B2	8/2011	Cragg	
D645,333 S *	9/2011	Rothbaum et al.	D8/356
8,103,352 B2	1/2012	Fried et al.	
D654,052 S *	2/2012	Lee et al.	D14/205
2001/0035242 A1	11/2001	Hughs et al.	
2002/0073516 A1	6/2002	Behar	
2002/0112323 A1	8/2002	Nire	
2003/0167605 A1	9/2003	Schultz	
2005/0016760 A1	1/2005	Vasichek	
2005/0025329 A1	2/2005	Lee	
2005/0255898 A1	11/2005	Huang	
2006/0008106 A1	1/2006	Harper	
2006/0186150 A1	8/2006	Willows et al.	
2007/0086617 A1	4/2007	Loh	
2007/0152008 A1	7/2007	Case	
2008/0041897 A1	2/2008	Malhotra	
2008/0149679 A1	6/2008	Case et al.	
2009/0013504 A1	1/2009	Crespo	
2009/0016559 A1	1/2009	Cleary	
2009/0314515 A1	12/2009	Bevirt et al.	



FOREIGN PATENT DOCUMENTS

CN	201352845	Y	11/2009
GB	2420552	A	5/2006
JP	63125493	U	8/1988
JP	11317995	A	11/1999
JP	2001169381	A	6/2001
JP	2003230418	A	8/2003
JP	2003319484	A	11/2003
JP	2006081130	A	3/2006
JP	2006-222712	A	8/2006
JP	2009212918	A	9/2009
WO	WO 2004/071056	A1	8/2004

OTHER PUBLICATIONS

Earbud Clips, printed Jun. 7, 2010, 3 pages., www.wetjetset.com/store/item/42.

Headphone Cable Tidy—Pack of 3—Accessories for PDA, Smartphone . . . , printed Jun. 7, 2010, 1 page, www.proporta.com/F02/PPF02P05.php?t_id=4452&t_mode=des

Quogue Capital LLC et al., PCT/US2009/067927, Dec. 14, 2009, International Search Report and Written Opinion mailed Jul. 14, 2010, 8 pages.

Sumajin SmartWrap Earphone Cord Manager, printed Jun. 7, 2010, 3 pages, www.ilounge.com/index.php/reviews/entry/sumajin-smartwrap

Use Magnetic Paper Clips to Keep Cords from Tangling, , printed Jun. 7, 2010, 5 pages, www.geeksugar.com/Use-Magnetic-Paper-Clips-Keep-Cords-From-Tangling.

CJD LLC, PCT/US2010/031087, Apr. 14, 2010, International Search Report and Written Opinion mailed Apr. 29, 2011, 23 pages.

Rothbaum et al., PCT/US2010/053244, Oct. 19, 2010, International Search Report and Written Opinion mailed Jun. 24 2011, 22 pages.

* cited by examiner

Primary Examiner — Cynthia Underwood
(74) *Attorney, Agent, or Firm* — Morgan, Lewis & Bockius LLP

(57) **CLAIM**
The ornamental design for a clip for a cord management system, as shown and described.

DESCRIPTION

The present application relates to the following Patents and Applications:
to U.S. utility patent application Ser. No. 12/761,326 filed Apr. 15, 2010, entitled Cord Management System,

to U.S. design Pat. No. D636,659, filed Aug. 27, 2010, entitled Strap for a Cord Management System,
to U.S. design patent application Ser. No. 29/368,755 filed Aug. 27, 2010, also entitled Strap for a Cord Management System,
to U.S. design application Ser. No. 29/388,372 filed Mar. 28, 2011, also entitled Strap for a Cord Management System,
to U.S. design application Ser. No. 29/401,643 filed Sep. 13, 2011, entitled Strap with Hook and Loop Closure for a Cord Management System,
to U.S. design application Ser. No. 29/401,359 filed Sep. 11, 2011, entitled Strap with Cord Attachment Mechanism for a Cord Management System, and
to U.S. design application Ser. No. 29/401,930 filed Sep. 16, 2011, entitled Strap with Cord Attachment Mechanism and Hook and Loop Closure for a Cord Management System.

FIG. 1 is a perspective view of an embodiment of our new design of a clip for a cord management system.

FIG. 2 is a view of a first side of the embodiment of FIG. 1.

FIG. 3 is a view of a second side of the embodiment of FIG. 1.

FIG. 4 is a view of a third side of the embodiment of FIG. 1.

FIG. 5 is a view of a fourth side of the embodiment of FIG. 1.

FIG. 6 is a view of a fifth side of the embodiment of FIG. 1.

FIG. 7 is a view of a sixth side of the embodiment of FIG. 1; and,

FIG. 8 is another perspective view of the embodiment of FIG. 1 provided for illustrative purposes, the perspective view illustrating the embodiment when used in conjunction with an object.

The broken lines showing elements of the clip for a cord management system in the above described figures are for illustrative purposes only and form no part of the claimed design.

1 Claim, 5 Drawing Sheets

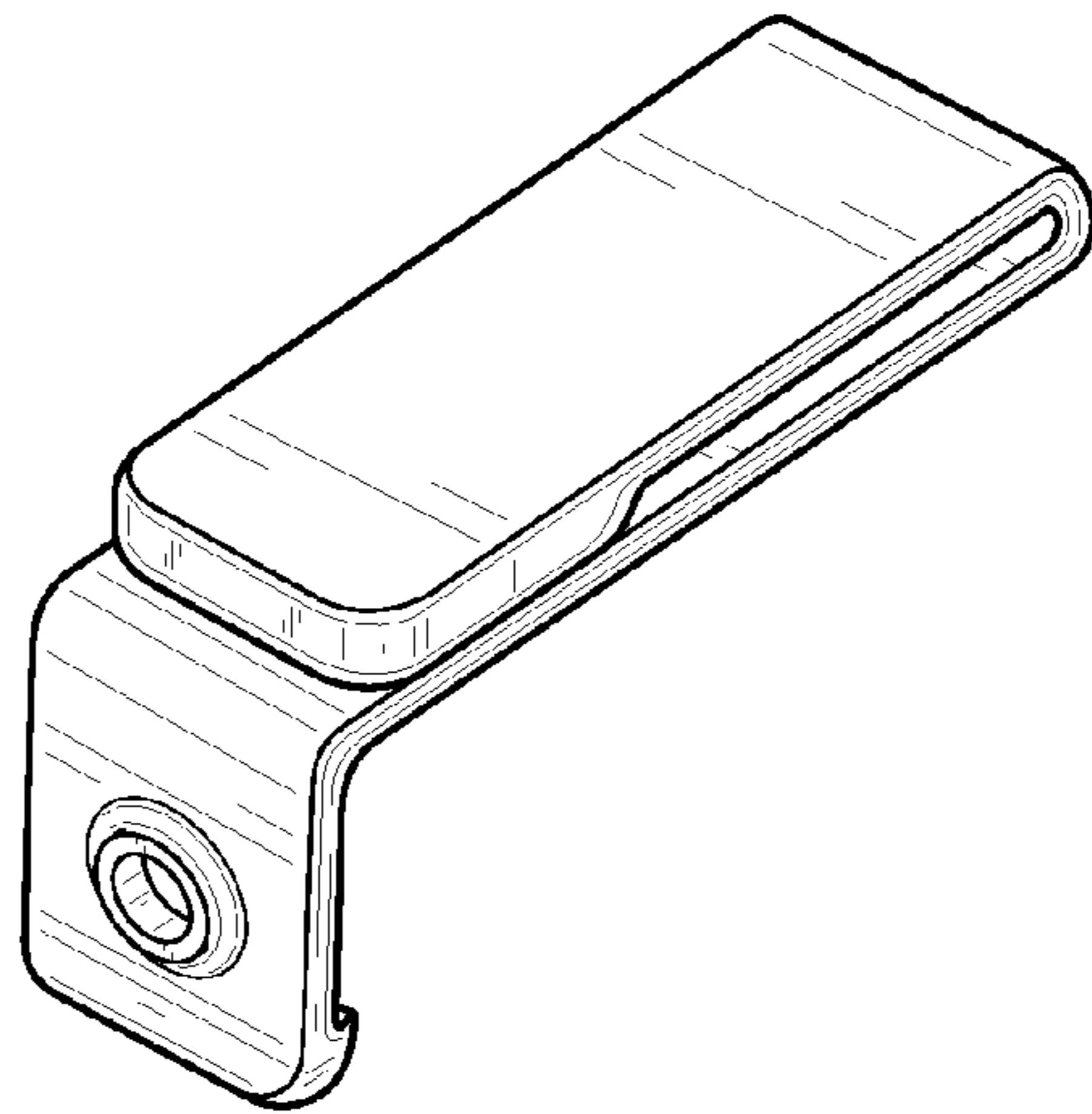


FIG. 1

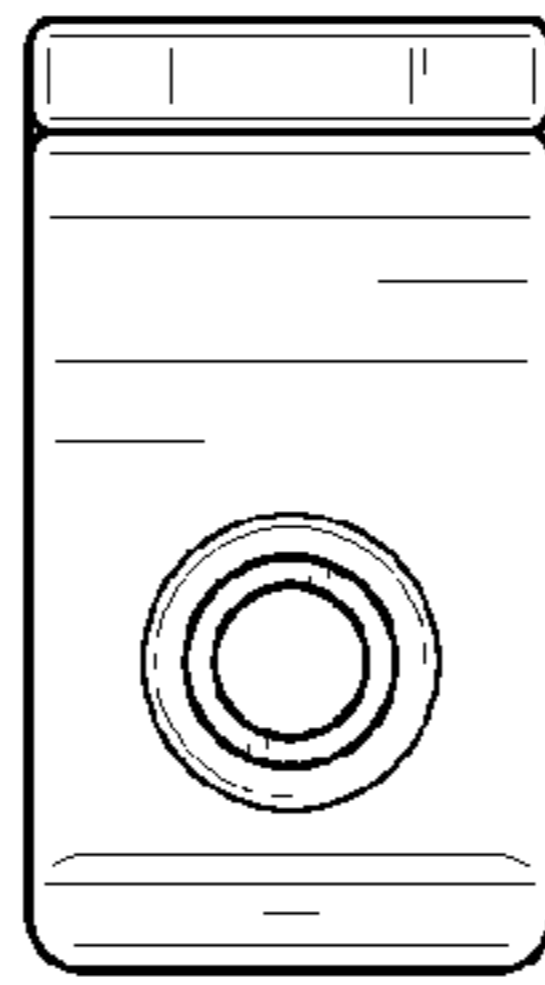


FIG. 2

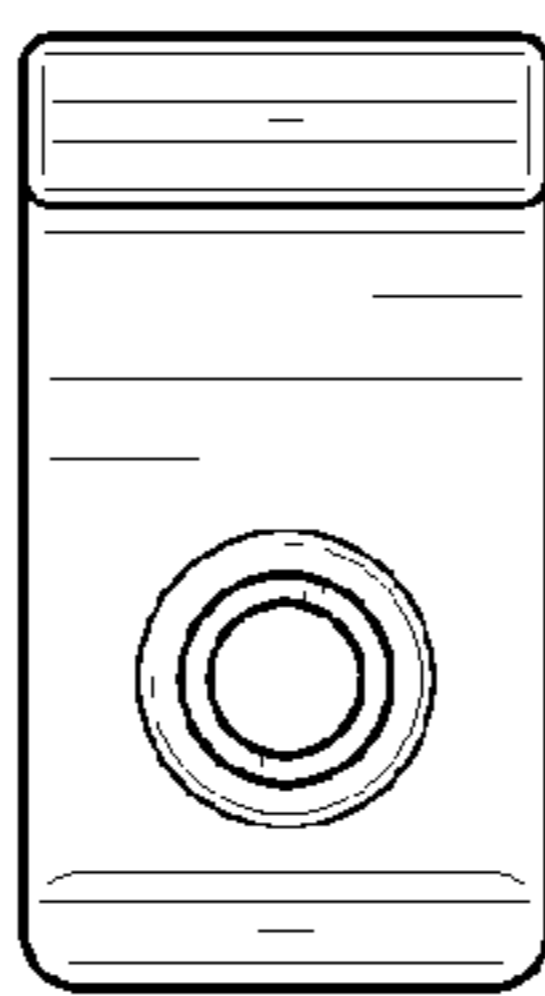


FIG. 3

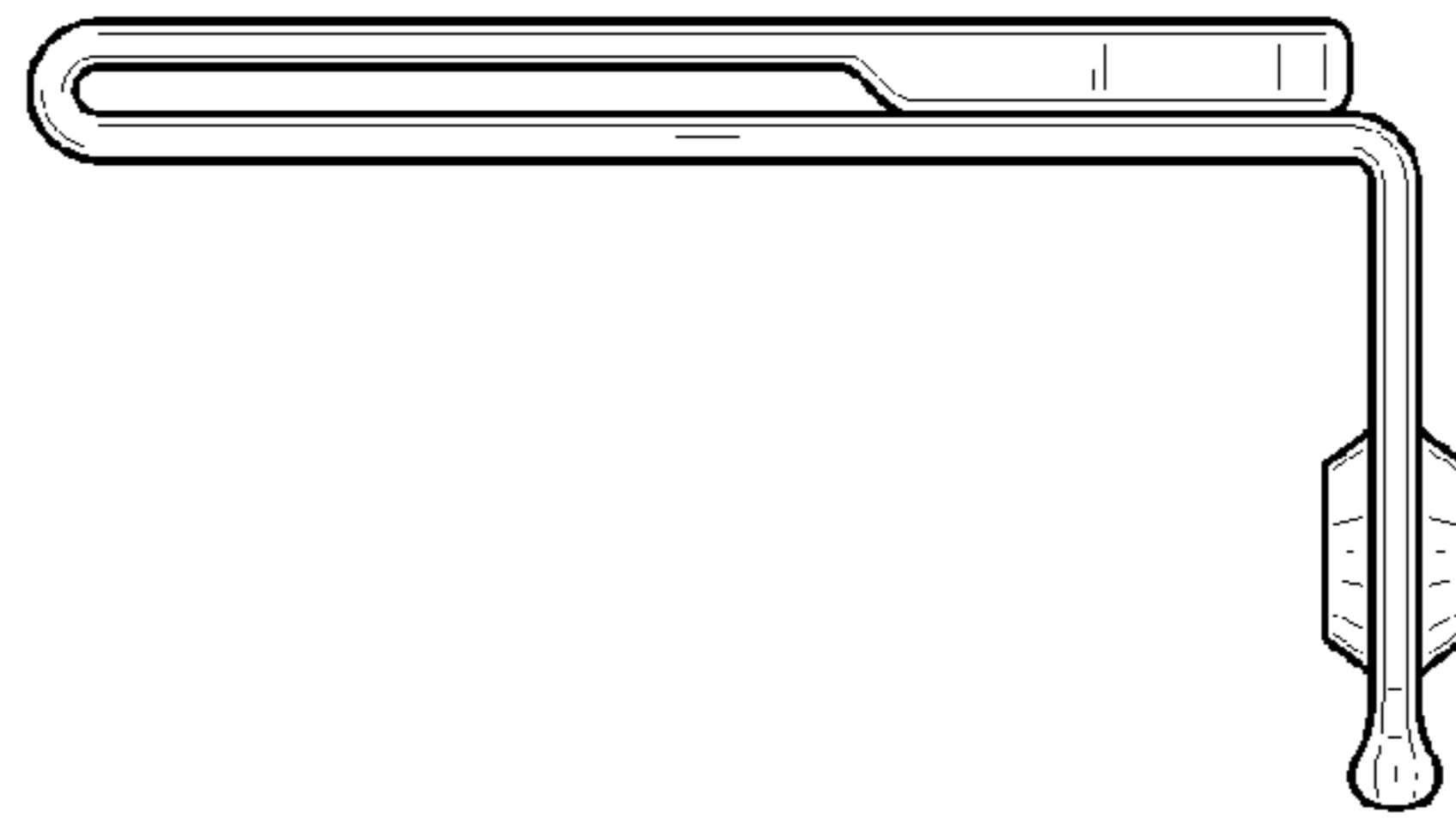


FIG. 4

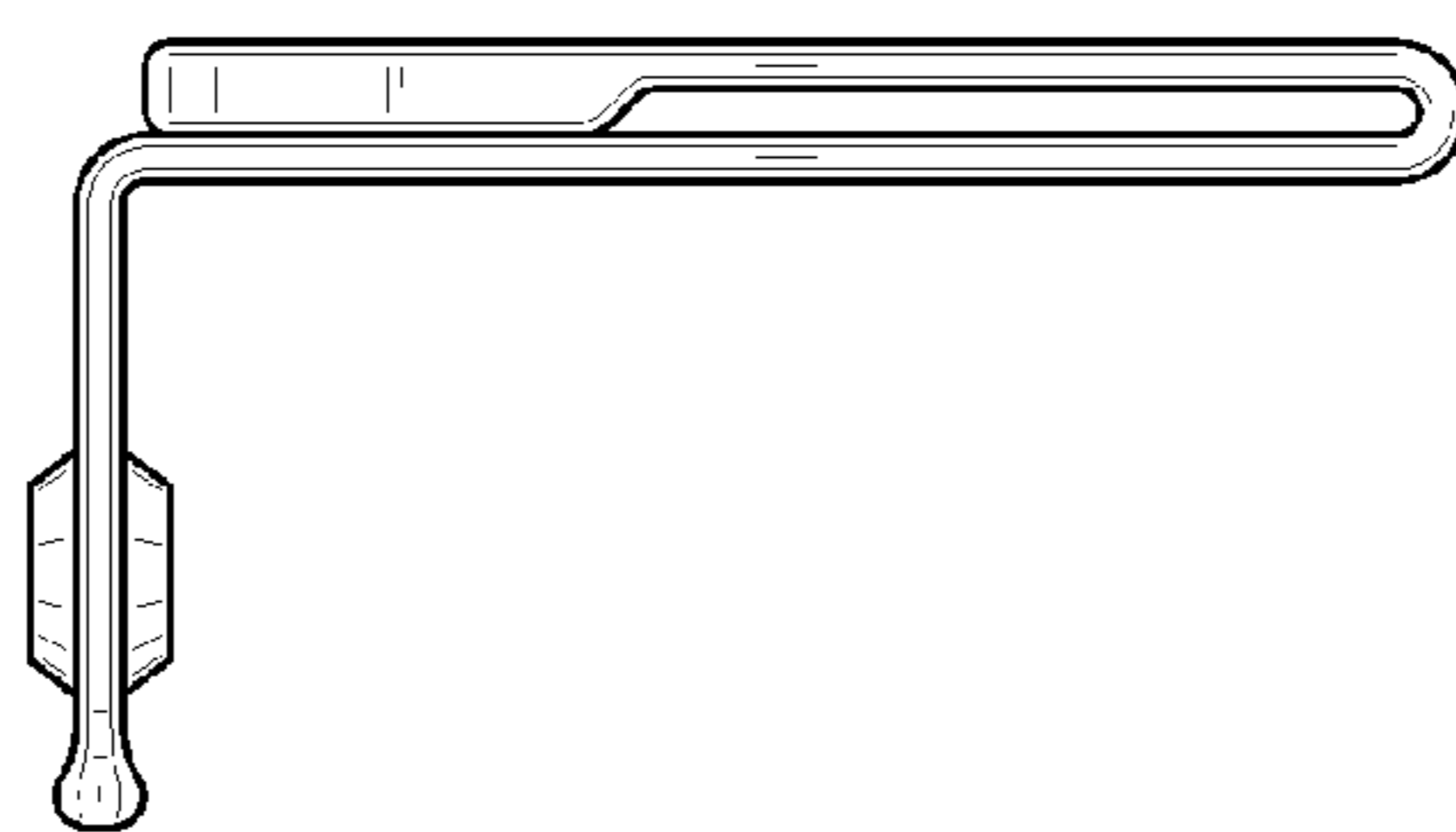


FIG. 5



FIG. 6

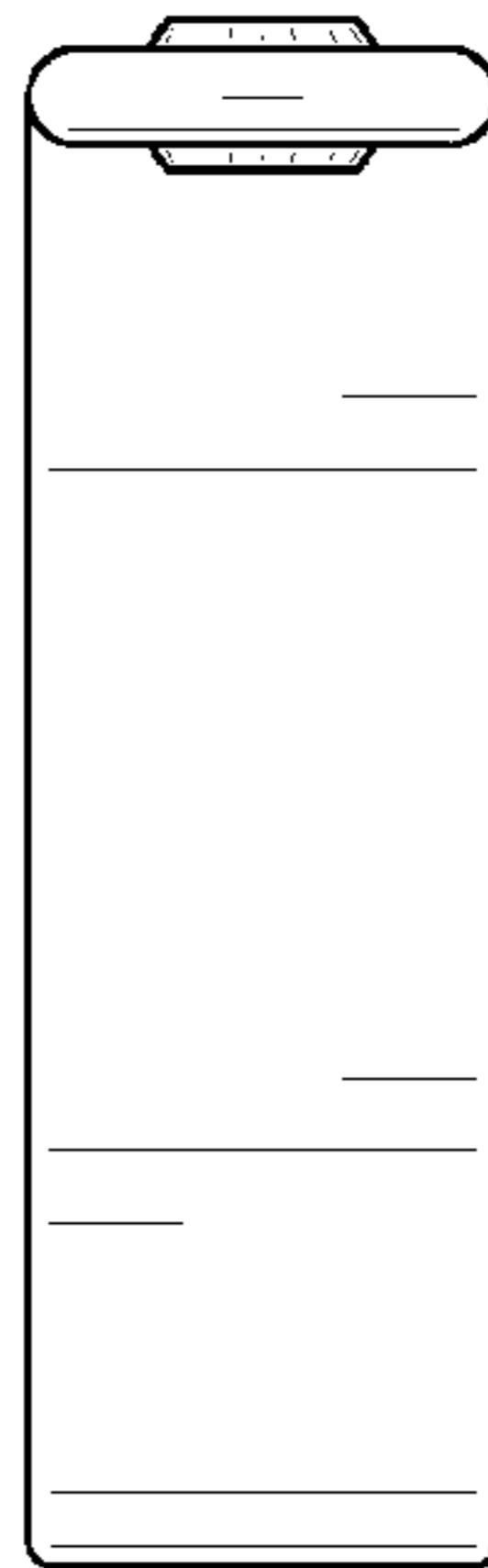


FIG. 7

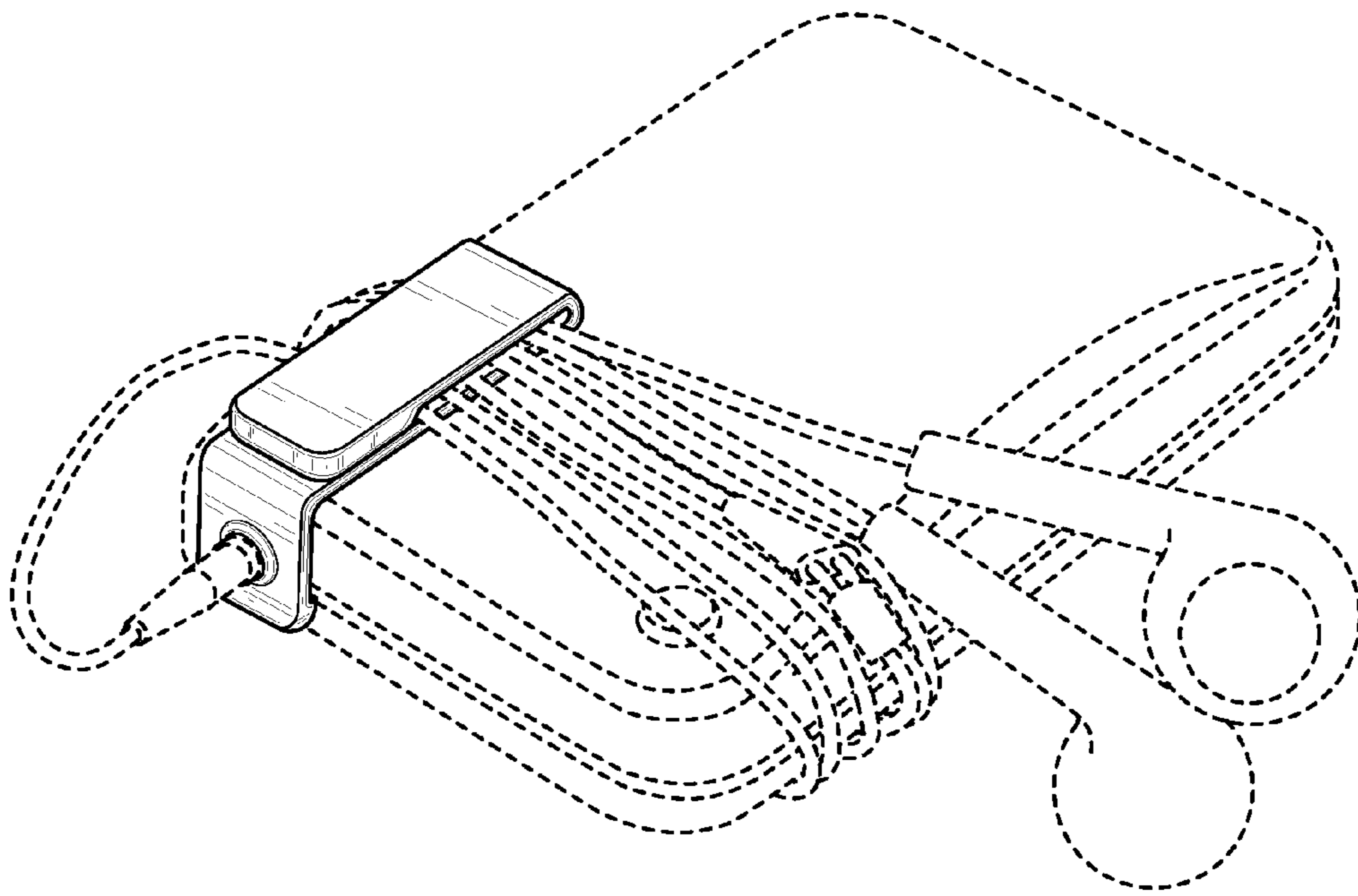


FIG. 8