

US00D675901S

(12) **United States Design Patent**
Peckham

(10) **Patent No.:** **US D675,901 S**

(45) **Date of Patent:** **** *Feb. 12, 2013**

(54) **ELECTRICAL OUTLET PLATE**

(76) Inventor: **Albert E. Peckham**, Gloucester, MA
(US)

(*) Notice: This patent is subject to a terminal disclaimer.

(**) Term: **14 Years**

(21) Appl. No.: **29/372,094**

(22) Filed: **Oct. 14, 2010**

(51) **LOC (9) Cl.** **11-05**

(52) **U.S. Cl.** **D8/353**

(58) **Field of Classification Search** D8/380-353;
D13/139.1-139.8, 146, 147, 152, 154, 156,
D13/158, 169, 171, 173, 177; D14/159;
D25/60; 174/55, 58, 66, 67, 535; 220/241,
220/3.92, 3.5-3.8, 242; 439/535, 536, 892;
200/303; 248/273; 292/357

See application file for complete search history.

D284,261	S	*	6/1986	Sorenson	D8/353
D289,602	S	*	5/1987	Williams, Jr.	D8/353
D298,733	S	*	11/1988	Pool	D8/353
4,851,612	A		7/1989	Peckham		
D340,718	S	*	10/1993	Leger et al.	D14/224
5,267,461	A	*	12/1993	Eizen	70/451
D346,949	S	*	5/1994	Comerci et al.	D8/353
5,454,143	A	*	10/1995	Wigley, Sr.	16/82
D364,141	S	*	11/1995	Hanna et al.	D13/125
D392,873	S	*	3/1998	Scherer et al.	D8/353
D396,401	S	*	7/1998	Christie	D8/353
5,834,695	A	*	11/1998	Herbert	174/66
5,837,937	A	*	11/1998	Reese et al.	174/66
D411,733	S	*	6/1999	Lin	D8/353
D411,797	S	*	7/1999	Schultz	D8/343
D424,408	S	*	5/2000	Garibay et al.	D8/353
D429,623	S	*	8/2000	De brey et al.	D8/353
D465,144	S	*	11/2002	Lai	D8/353
D476,549	S	*	7/2003	Shaw	D8/353
D503,608	S	*	4/2005	Fields	D8/353
D534,058	S	*	12/2006	Fields	D8/353
D534,787	S	*	1/2007	Fields	D8/353
D543,091	S	*	5/2007	Ellbogen	D8/353
D550,076	S	*	9/2007	Ni	D8/353
D561,560	S	*	2/2008	McConnell	D8/353
D561,577	S	*	2/2008	McConnell	D8/353

(Continued)

(56) **References Cited**

U.S. PATENT DOCUMENTS

1,144,107	A	*	6/1915	Burt	220/242
1,221,652	A	*	4/1917	Badeau	220/242
D182,305	S	*	3/1958	Russell	D8/353
D187,921	S	*	5/1960	Prior	D8/353
D208,783	S	*	10/1967	Stillman	D8/353
D212,760	S	*	11/1968	Bordner	D8/353
3,438,534	A	*	4/1969	Zerwes	220/241
D214,615	S	*	7/1969	Patriquin	D8/353
3,619,477	A	*	11/1971	Rasmussen	174/56
D222,885	S	*	1/1972	Smith	D8/353
D236,948	S	*	9/1975	Mori	D8/353
D236,949	S	*	9/1975	Mori	D8/353
D237,043	S	*	10/1975	Mori	D8/351
D237,045	S	*	10/1975	Mori	D8/351
D242,522	S	*	11/1976	Emmerling	D8/353
D243,653	S	*	3/1977	Fine	D8/353
D243,824	S	*	3/1977	Fine	D8/353
D243,825	S	*	3/1977	Levin	D8/351
D243,887	S	*	3/1977	Levin et al.	D8/351
4,312,458	A	*	1/1982	Stewart	220/241
4,343,527	A	*	8/1982	Harrington et al.	439/468
4,451,106	A	*	5/1984	Wiseheart et al.	439/536

Primary Examiner — Mark Goodwin

(74) *Attorney, Agent, or Firm* — Don Halgren

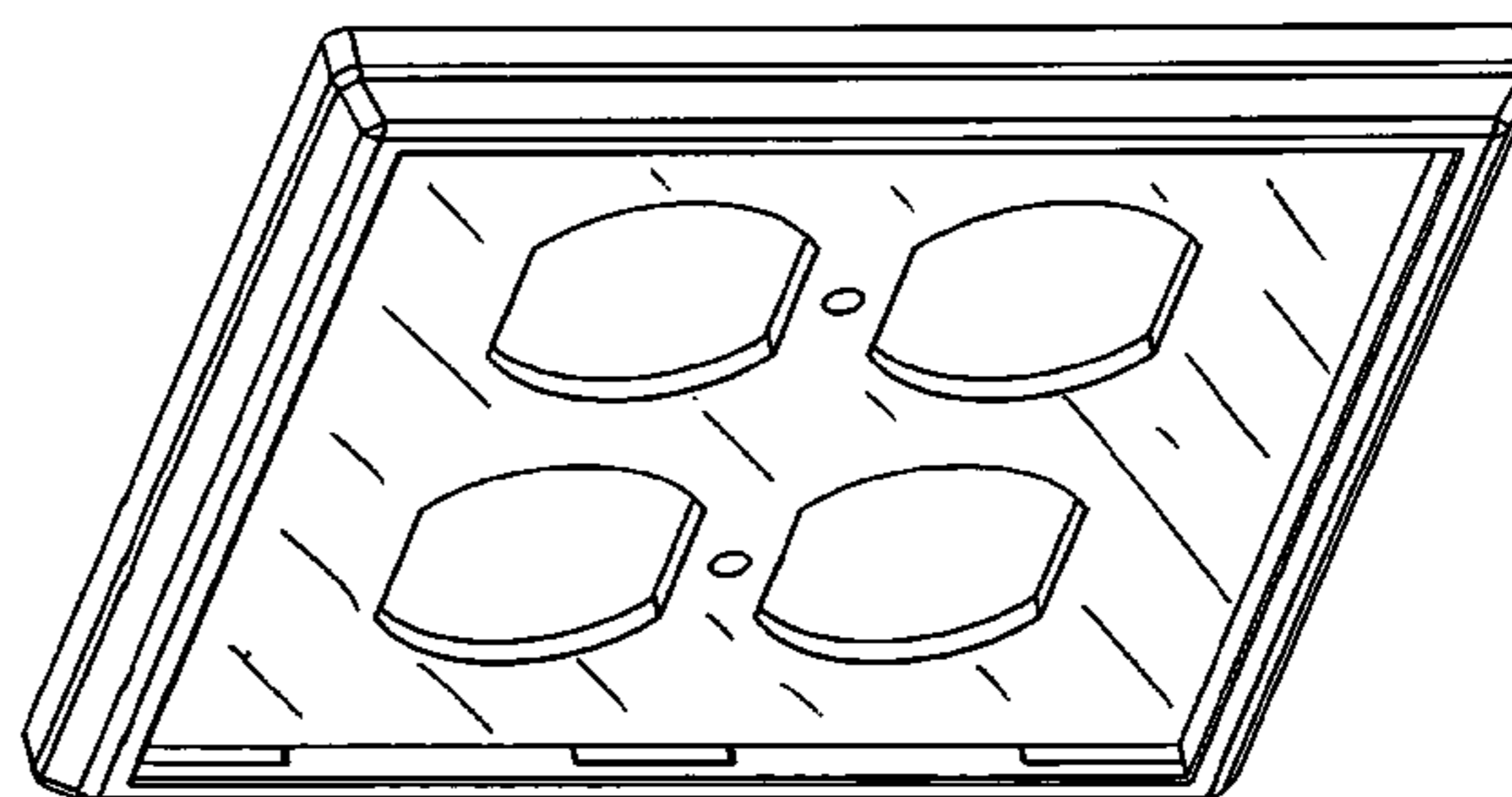
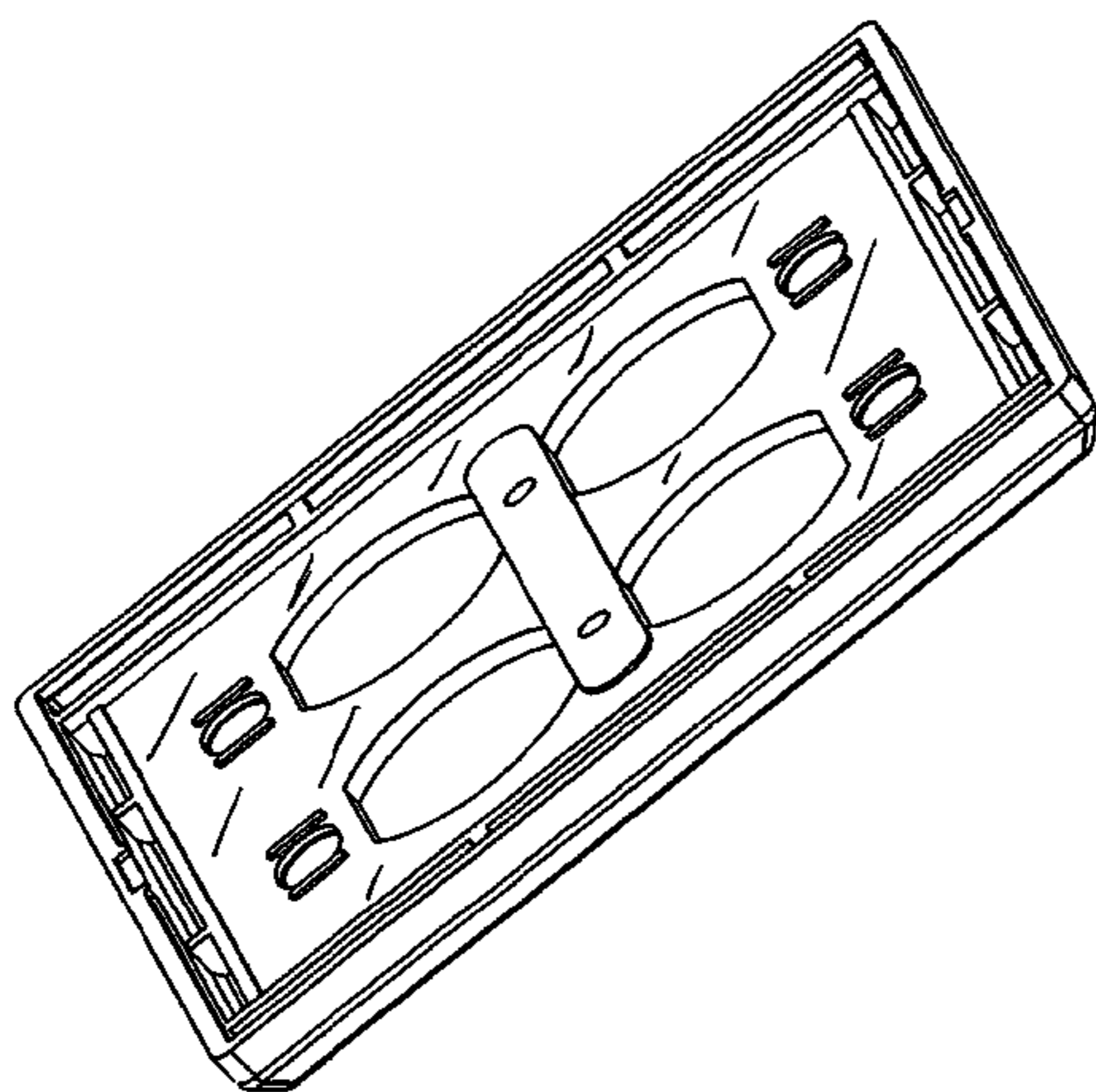
(57) **CLAIM**

The ornamental design for an electrical outlet plate, as shown and described.

DESCRIPTION

FIG. 1 is a front view of the electrical outlet plate showing my new design;
 FIG. 2 is a side view thereof, taken along the lines 2-2 of FIG. 1;
 FIG. 3 is an opposite side view thereof taken along the lines 3-3 of FIG. 1;
 FIG. 4 is an end view thereof, taken along the lines 4-4 of FIG. 1;
 FIG. 5 is an opposite end view thereof, taken along the lines 5-5 of FIG. 1;
 FIG. 6 is a bottom view thereof;
 FIG. 7 is a bottom perspective view thereof; and,
 FIG. 8 is a front perspective view thereof.

1 Claim, 3 Drawing Sheets



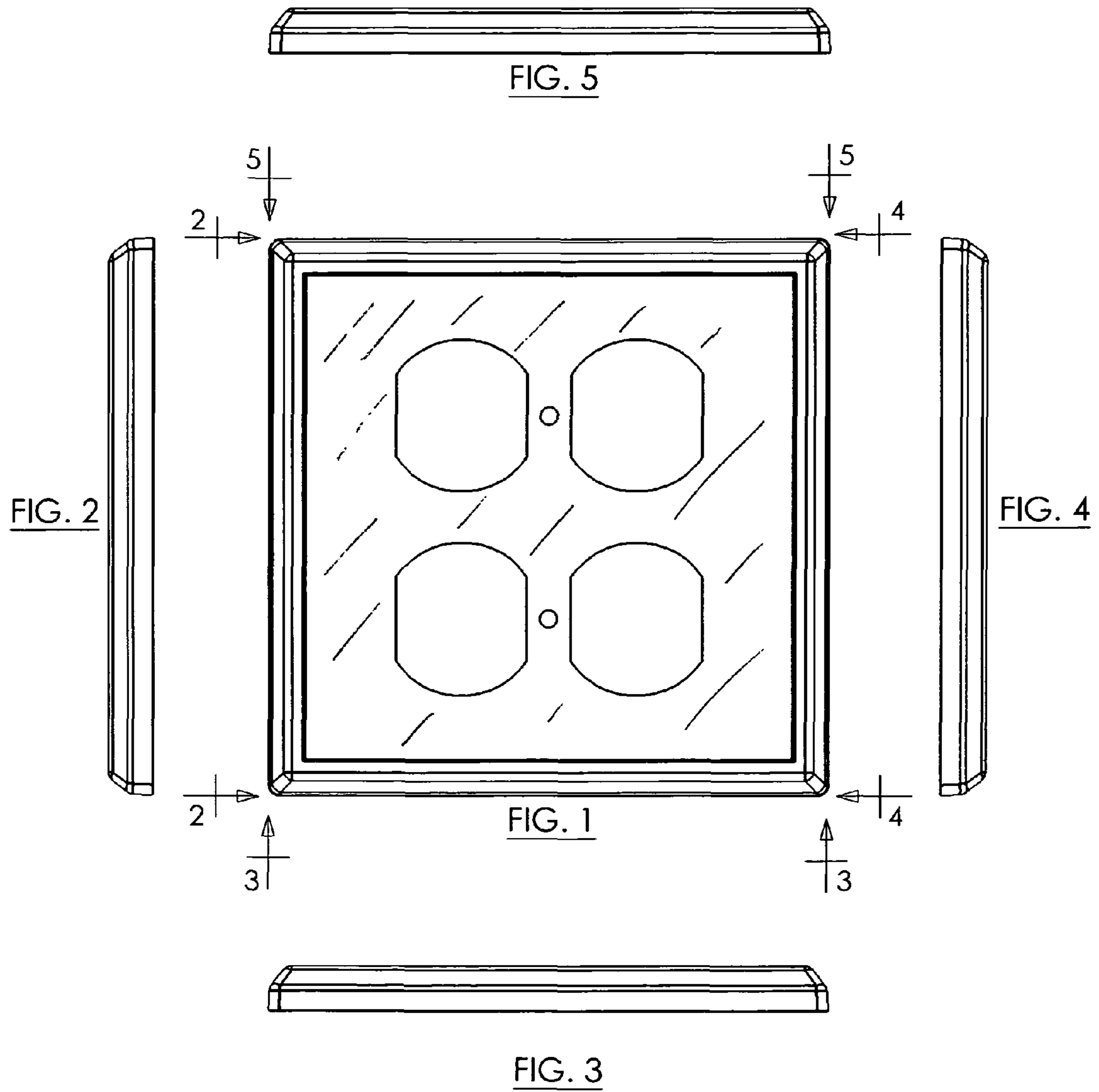
US D675,901 S

Page 2

U.S. PATENT DOCUMENTS

D563,908 S *	3/2008	Kohler et al.	D13/171	D639,141 S *	6/2011	Chen et al.	D8/353
D564,862 S *	3/2008	Lin	D8/353	D639,637 S *	6/2011	Marrero	D8/353
D567,633 S *	4/2008	Anderson	D8/353	D642,894 S *	8/2011	Soper et al.	D8/353
D596,925 S *	7/2009	Kidman	D8/353				

* cited by examiner



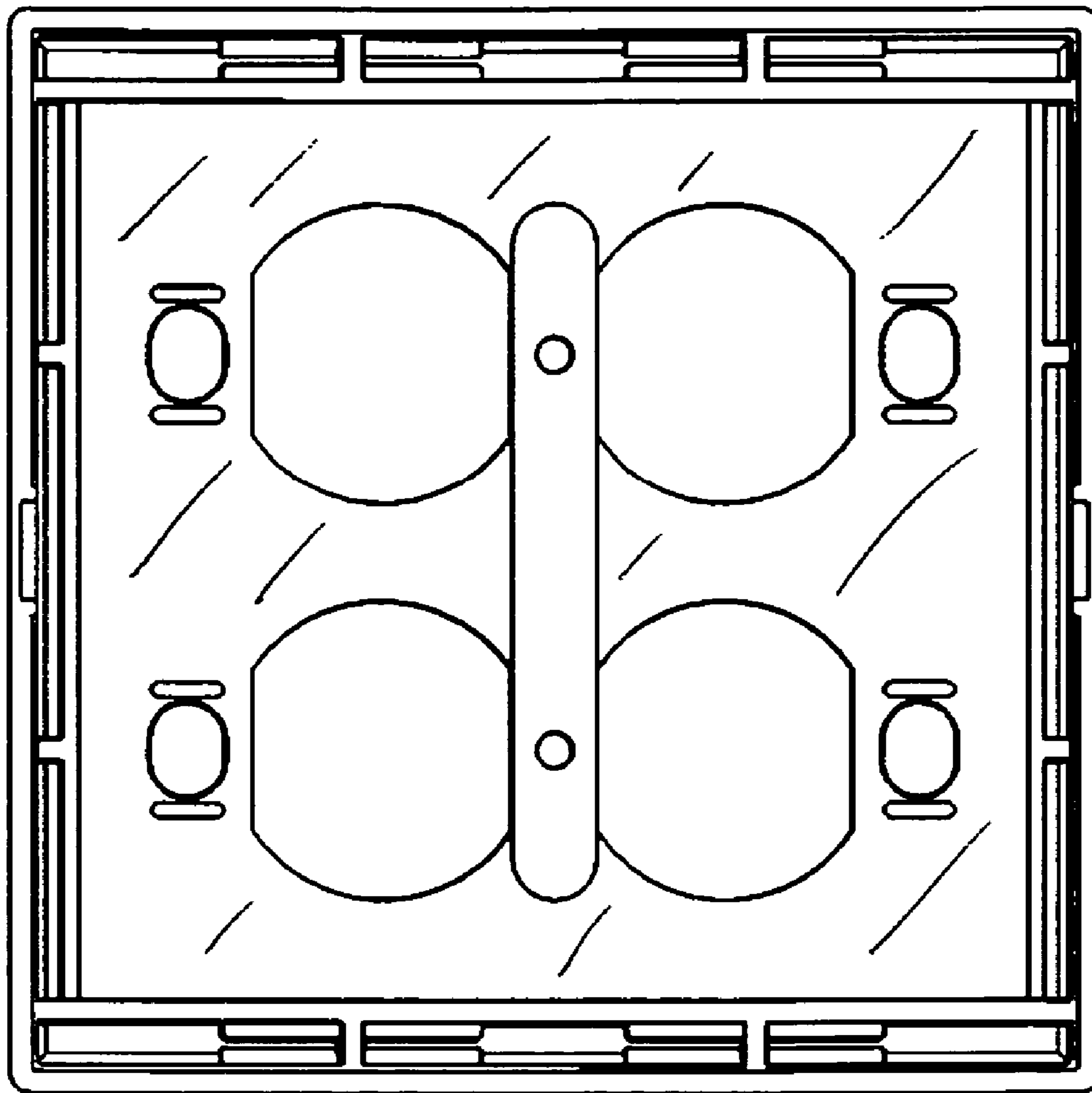


FIG. 6

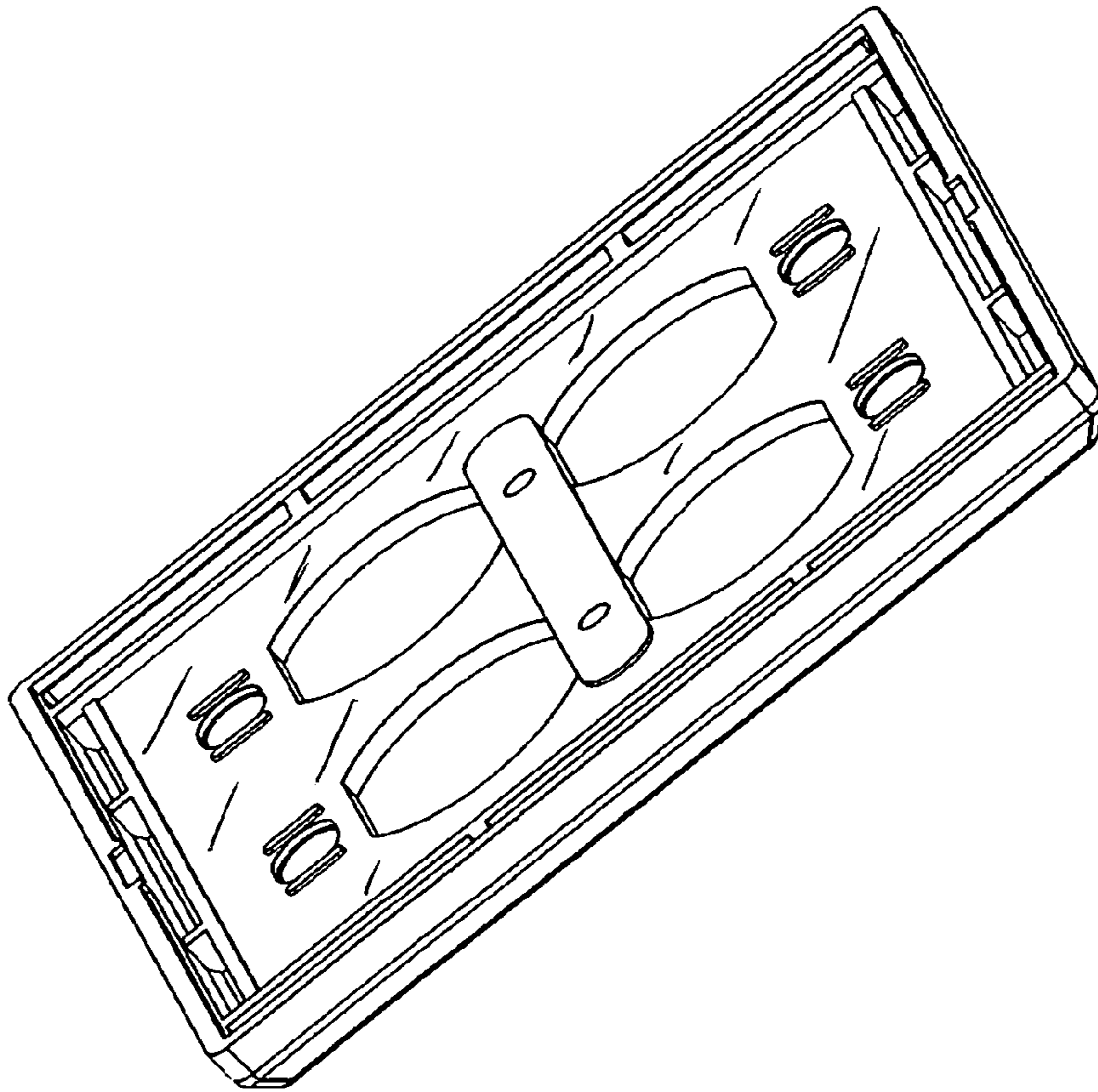


FIG. 7

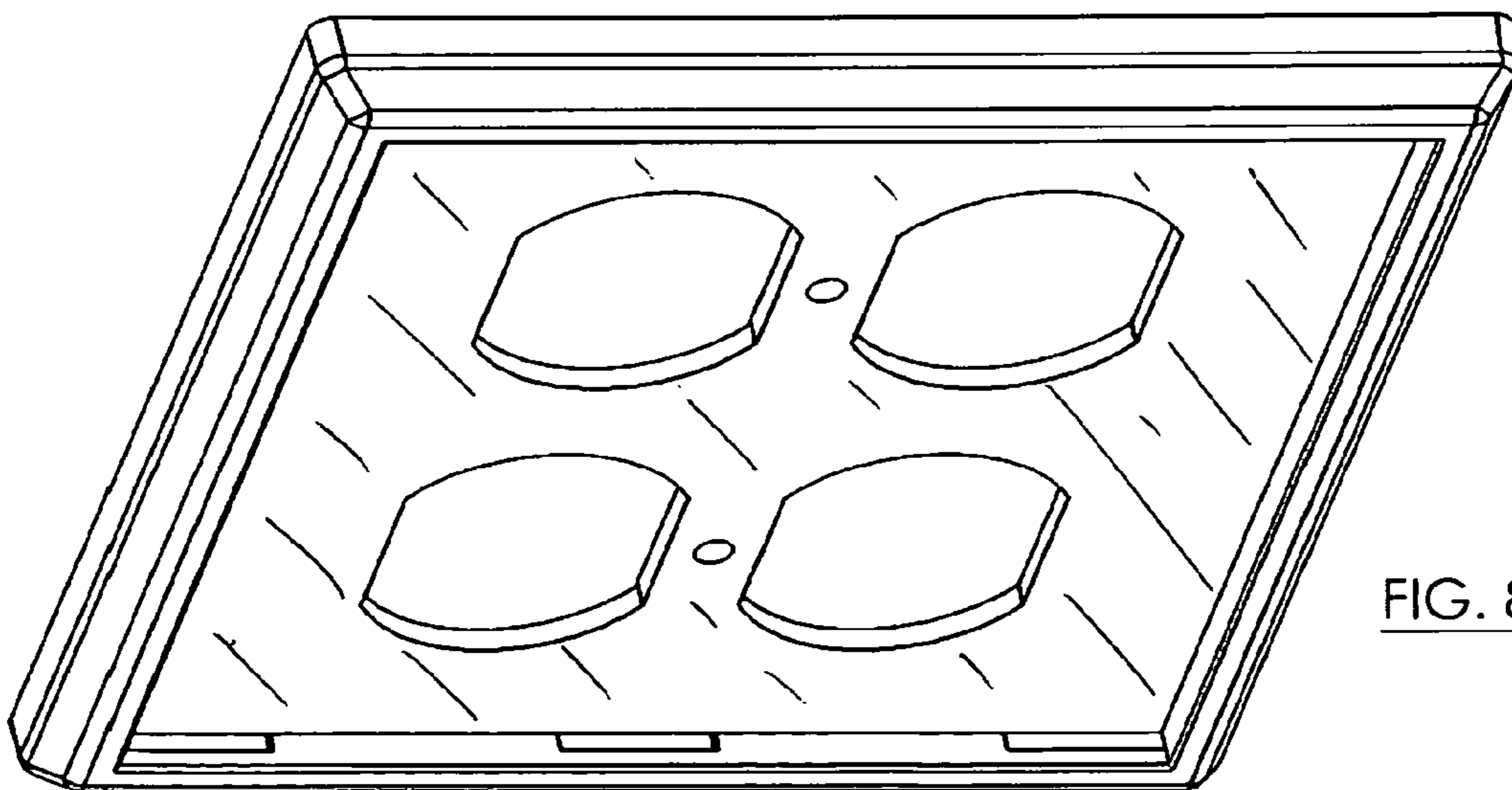


FIG. 8