

US00D675899S

(12) **United States Design Patent**
Wu

(10) **Patent No.:** **US D675,899 S**

(45) **Date of Patent:** **** Feb. 12, 2013**

(54) **STEP REGULATABLE UTILITY KNIFE**

(76) Inventor: **Yuewei Wu, Ninghai (CN)**

(**) Term: **14 Years**

(21) Appl. No.: **29/362,223**

(22) Filed: **May 21, 2010**

(51) **LOC (9) Cl.** **08-03**

(52) **U.S. Cl.** **D8/99**

(58) **Field of Classification Search** D8/95-99,
D8/105, 107; D22/118; 30/154-162, 329-331,
30/339

See application file for complete search history.

(56) **References Cited**

U.S. PATENT DOCUMENTS

D509,419 S *	9/2005	Chung	D8/99
D517,894 S *	3/2006	Kondo et al.	D8/99
D523,316 S *	6/2006	Kondo et al.	D8/99
D524,138 S *	7/2006	Chih	D8/99
7,178,244 B2 *	2/2007	Fossella	30/162
D553,936 S *	10/2007	Takamasa	D8/99

D559,651 S *	1/2008	Takamasa	D8/99
D577,564 S *	9/2008	Wu	D8/107
D594,309 S *	6/2009	Sugiura et al.	D8/99

* cited by examiner

Primary Examiner — Philip S Hyder

Assistant Examiner — Roselynn Cody

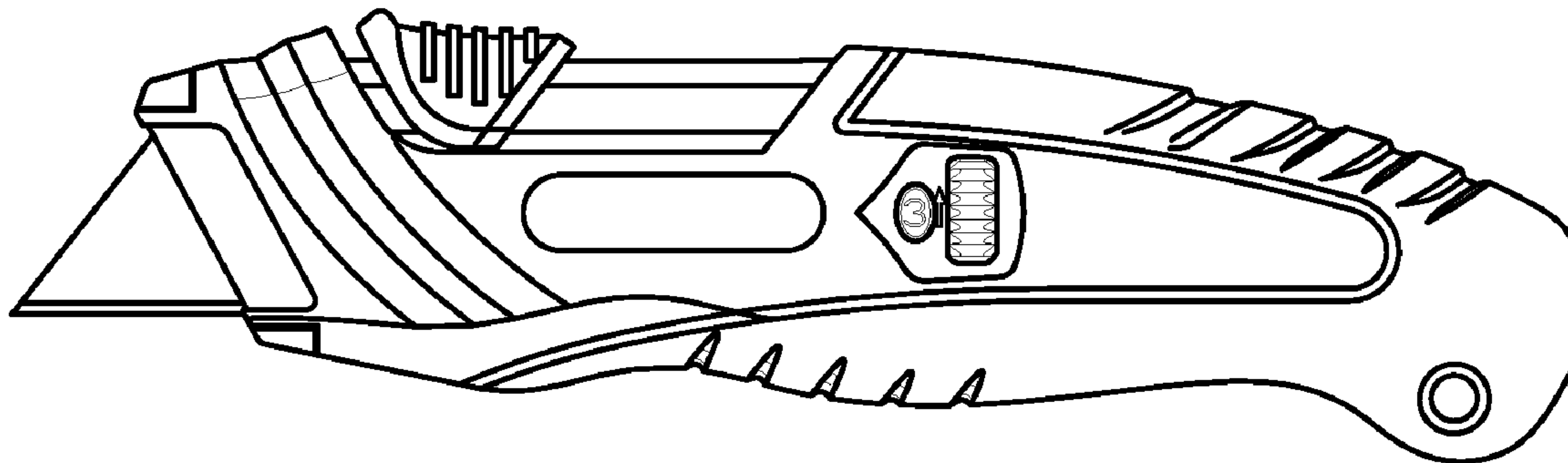
(57) **CLAIM**

The ornamental design for the step regulatable utility knife, as shown and described.

DESCRIPTION

FIG. 1 is a front view of a step regulatable utility knife showing my new design;
FIG. 2 is a top view thereof;
FIG. 3 is a rear view thereof;
FIG. 4 is a right side view thereof;
FIG. 5 is a left side view thereof;
FIG. 6 is a bottom view thereof;
FIG. 7 is a perspective view thereof; and,
FIG. 8 is another perspective view thereof.

1 Claim, 2 Drawing Sheets



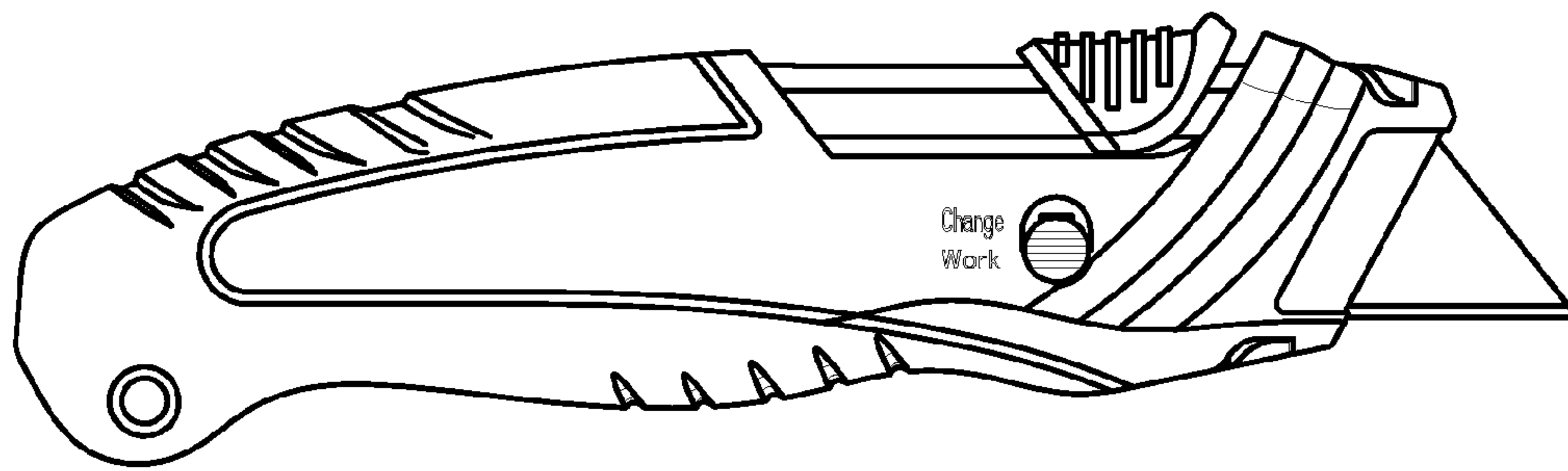


Fig. 1

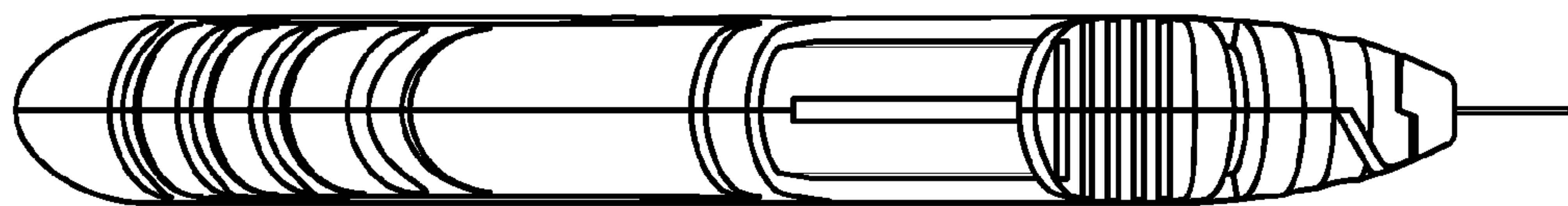


Fig. 2

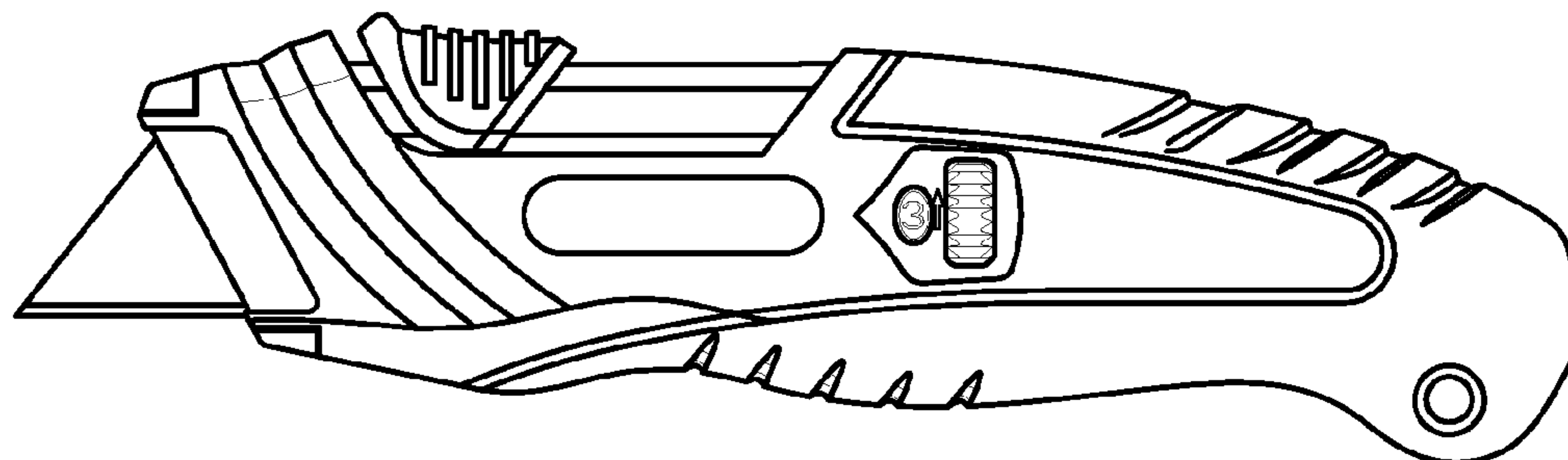


Fig. 3

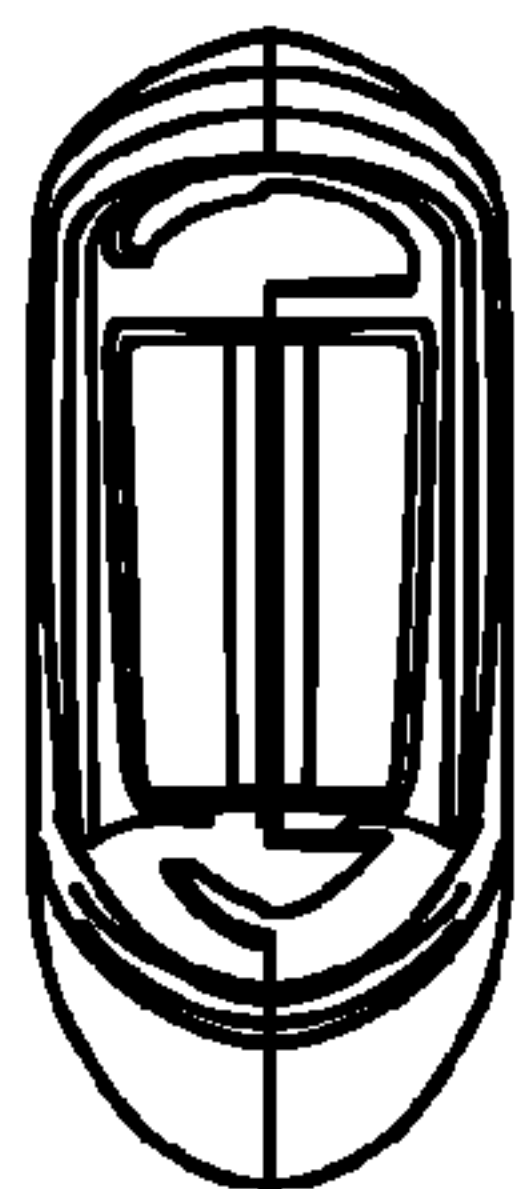


Fig. 4

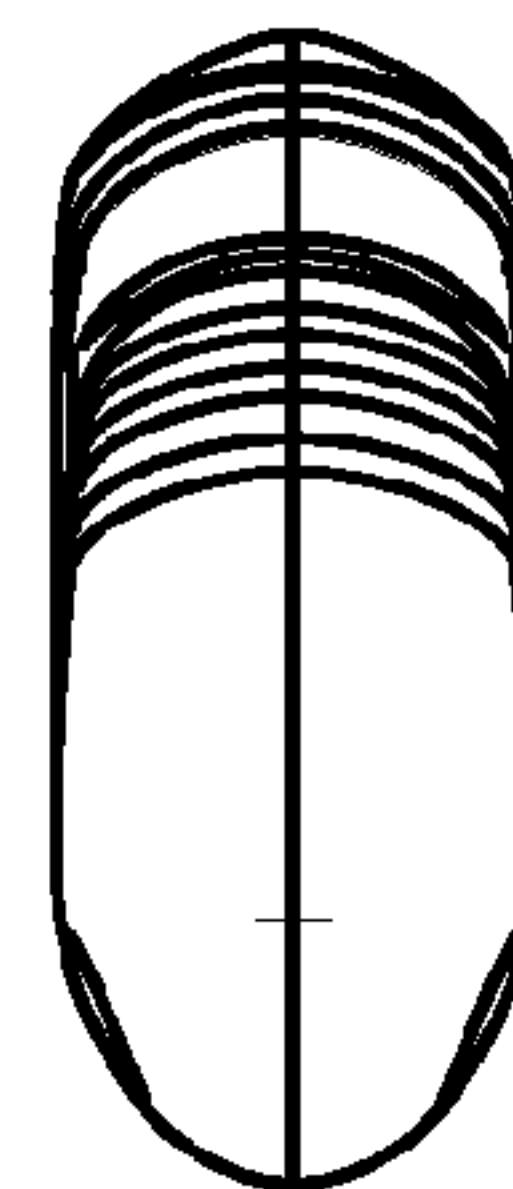


Fig. 5

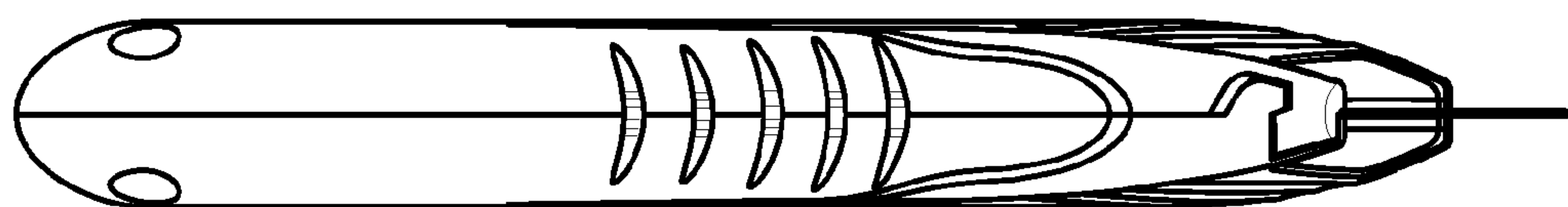


Fig. 6

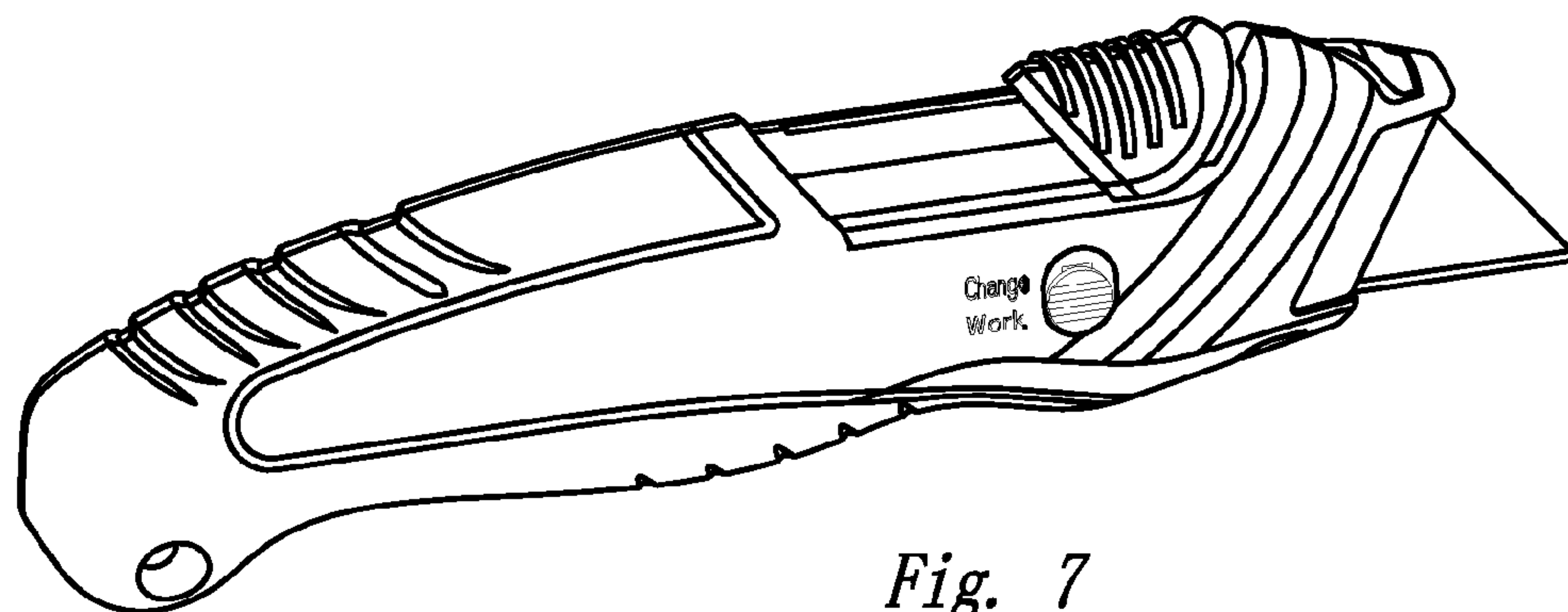


Fig. 7

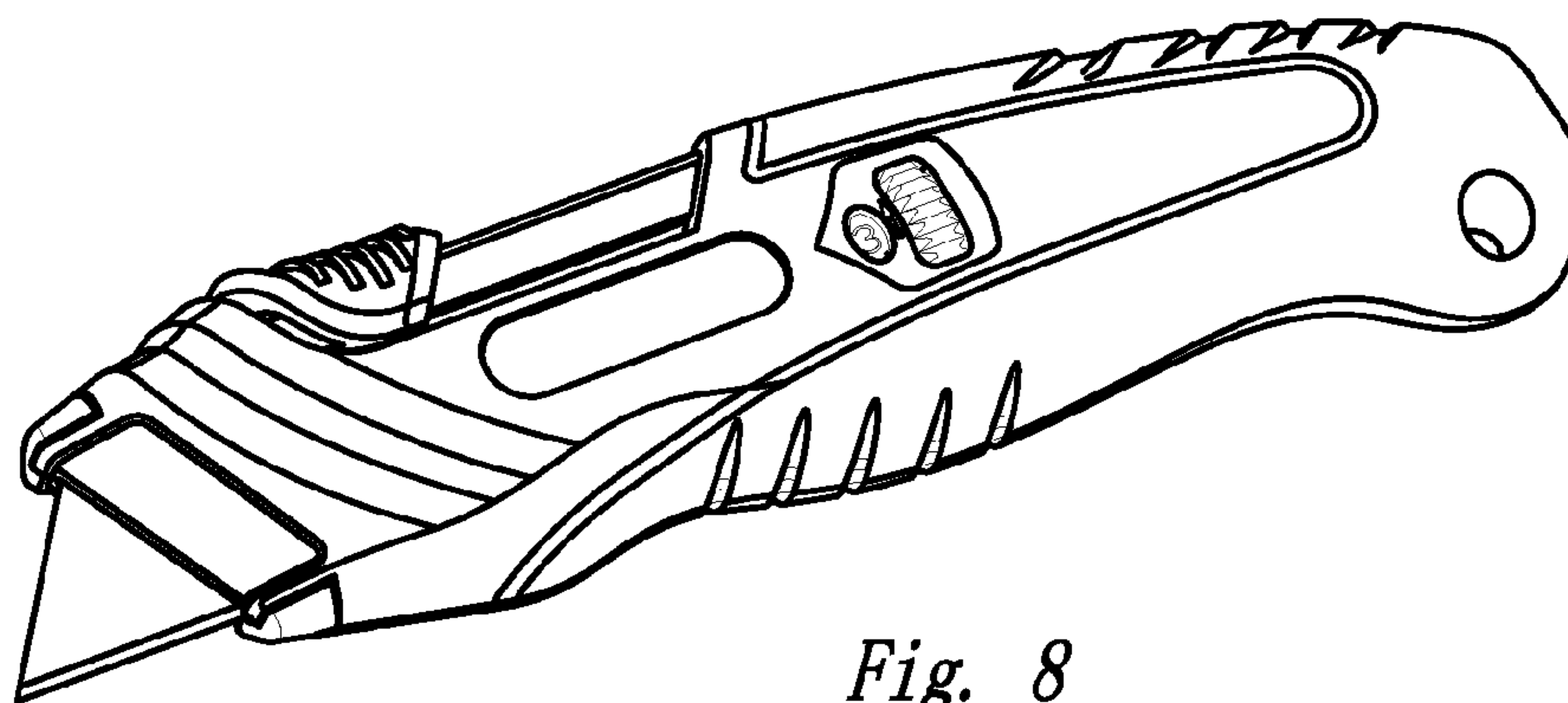


Fig. 8