



US00D675894S

(12) **United States Design Patent**
Chen

(10) **Patent No.:** **US D675,894 S**

(45) **Date of Patent:** **** Feb. 12, 2013**

(54) **SOCKET WRENCH**

(76) Inventor: **Zhi-Ji Chen**, Taichung (TW)

(**) Term: **14 Years**

(21) Appl. No.: **29/417,662**

(22) Filed: **Apr. 6, 2012**

(51) **LOC (9) Cl.** **08-05**

(52) **U.S. Cl.** **D8/25**

(58) **Field of Classification Search** D8/17,
D8/21-29, 97, 107; 81/60, 177.1, 177.85,
81/121.1, 124.3, 165-170, 110.1, 176.2,
81/124.6, 176.1, 176.15, 177.2, 186; 16/110.1;
D15/144.1; 219/75, 227, 229, 121.16, 121.18
See application file for complete search history.

(56) **References Cited**

U.S. PATENT DOCUMENTS

5,471,898 A * 12/1995 Forman 81/57.29
5,662,012 A * 9/1997 Grabovac 81/483
6,886,430 B1 * 5/2005 Tremblay et al. 81/177.8

7,275,467 B1 * 10/2007 Lee 81/475
7,677,140 B2 * 3/2010 Hull et al. 81/177.2
D632,533 S * 2/2011 Cappuccio et al. D8/25

* cited by examiner

Primary Examiner — Raphael Barkai
Assistant Examiner — Randall H Gholson

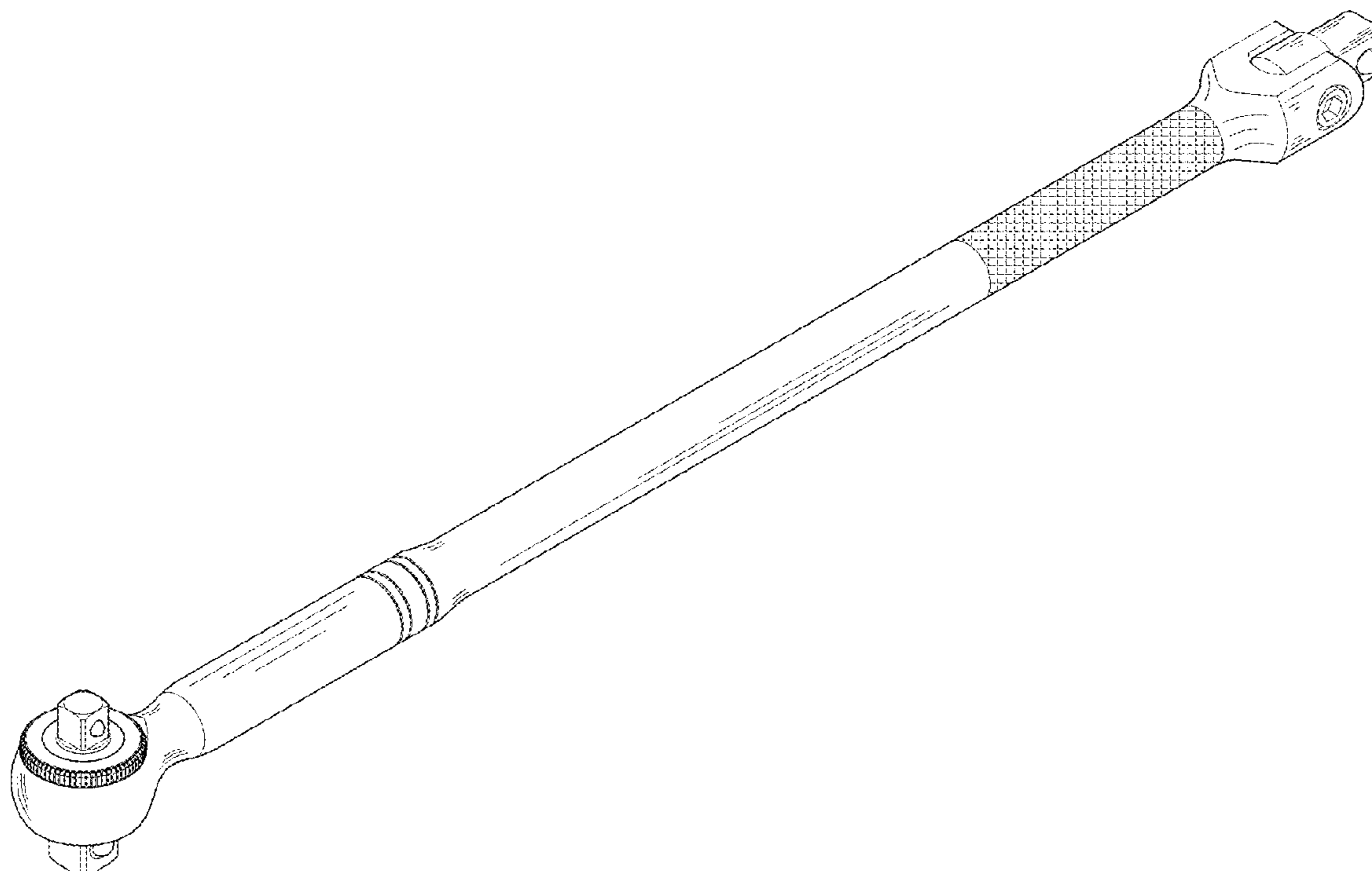
(57) **CLAIM**

The ornamental design for a socket wrench, as shown and described.

DESCRIPTION

FIG. 1 is a perspective view of a socket wrench showing my new design;
FIG. 2 is a front elevational view thereof;
FIG. 3 is a rear elevational view thereof;
FIG. 4 is a left side elevational view thereof;
FIG. 5 is a right side elevational view thereof;
FIG. 6 is a top plan view thereof; and,
FIG. 7 is a bottom plan view thereof.

1 Claim, 7 Drawing Sheets



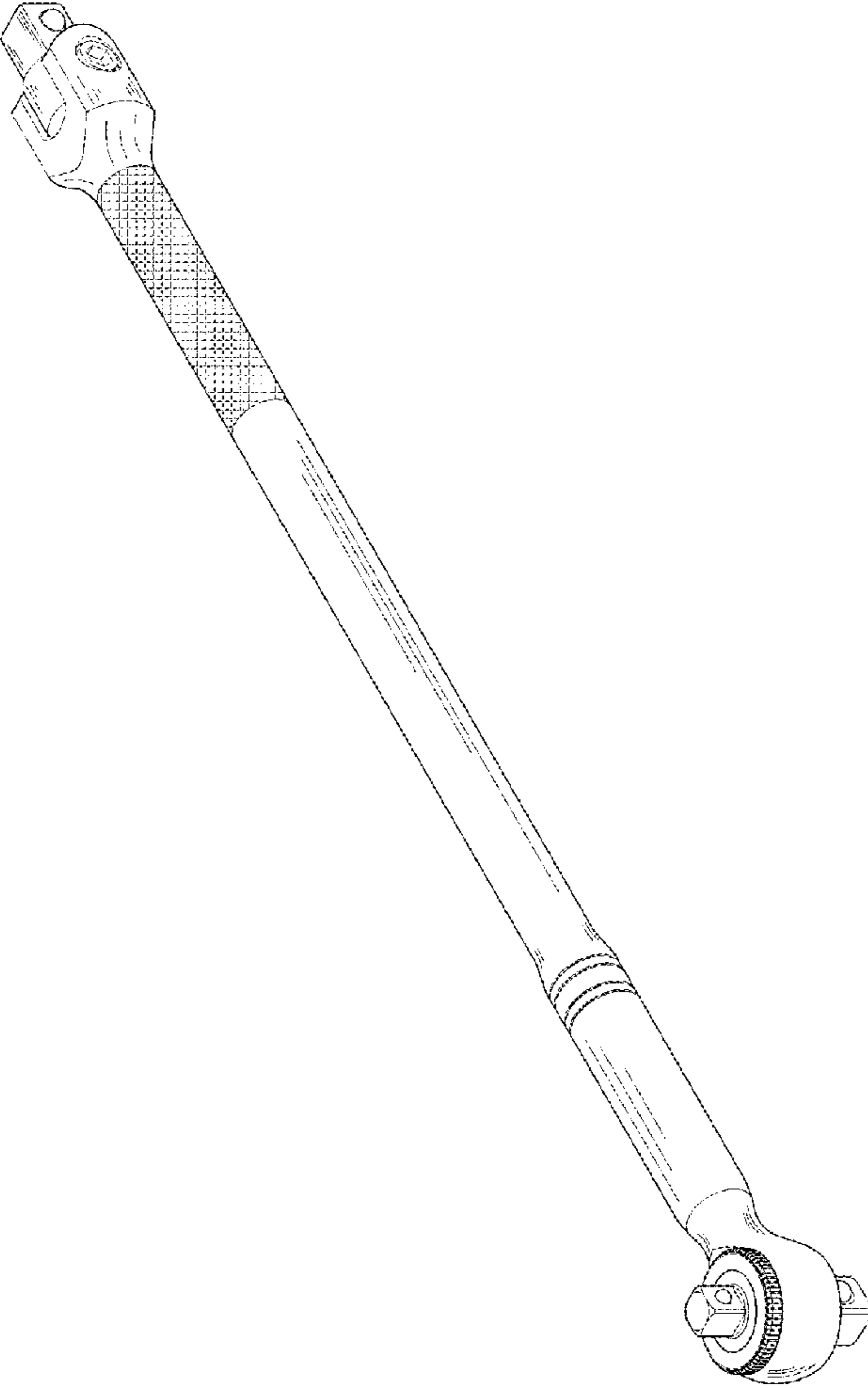


FIG. 1

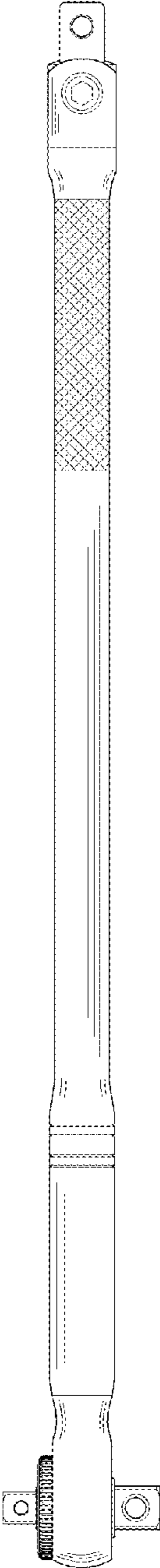


FIG.2

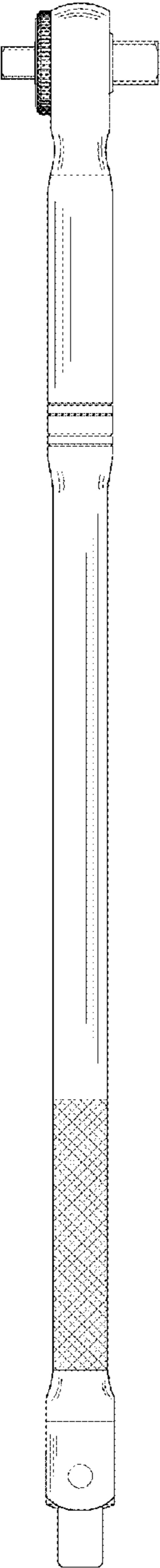


FIG.3

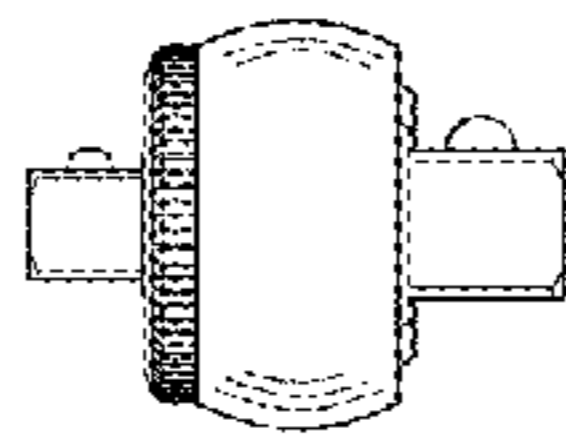


FIG.4

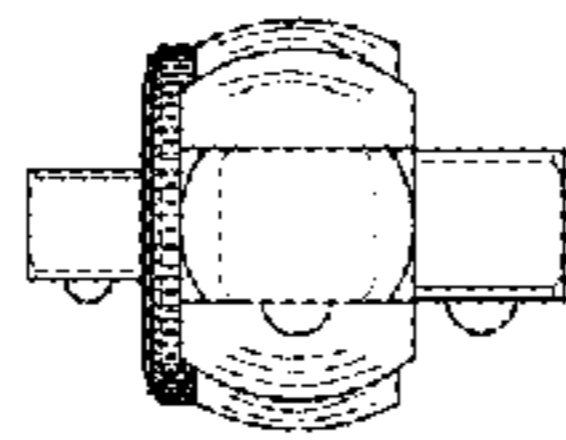


FIG.5

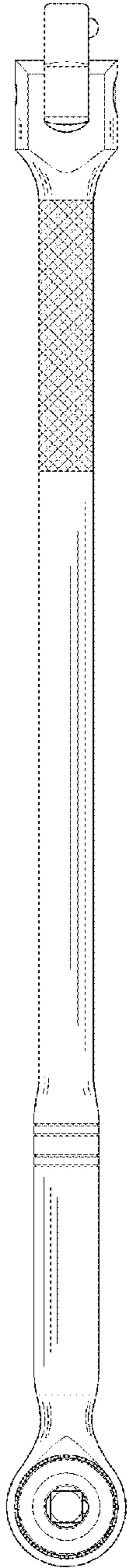


FIG.6

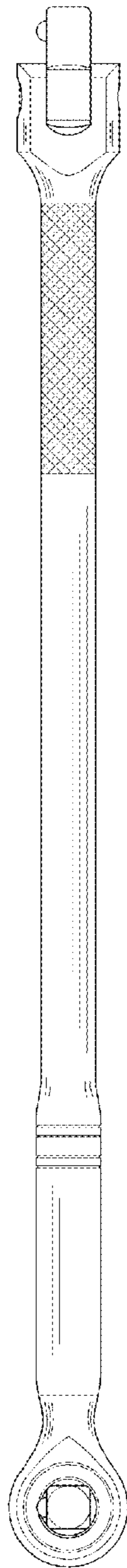


FIG. 7