



US00D675893S

(12) **United States Design Patent**
Chen

(10) **Patent No.:** **US D675,893 S**

(45) **Date of Patent:** **** Feb. 12, 2013**

(54) **RATCHET TOOL**

(76) Inventor: **Bo-Shen Chen**, Taichung (TW)

(**) Term: **14 Years**

(21) Appl. No.: **29/398,214**

(22) Filed: **Jul. 27, 2011**

(51) **LOC (9) Cl.** **08-05**

(52) **U.S. Cl.** **D8/25**

(58) **Field of Classification Search** D8/21-29,
D8/40, 42, 98; 81/58.3-59.16, 177.1, 177.85,
81/121.1, 124.3, 165-170, 110.1, 176.2,
81/124.6, 176.1, 176.15, 60, 62, 177.2; 16/110.1;
D15/144.1; 219/75, 227, 229, 121.16, 121.18
See application file for complete search history.

(56) **References Cited**

U.S. PATENT DOCUMENTS

D292,771	S	*	11/1987	Kim	D8/25
5,005,448	A	*	4/1991	Main	81/63
D347,983	S	*	6/1994	Lee	D8/25
5,606,897	A	*	3/1997	Quinn	81/124.6
D470,369	S	*	2/2003	Byram et al.	D8/25
6,516,689	B1	*	2/2003	Bates	81/60
D472,947	S	*	4/2003	Wu	D21/694
6,968,758	B2	*	11/2005	Lin	81/438
D556,007	S	*	11/2007	Hung	D8/107

D635,430	S	*	4/2011	Robinson et al.	D8/83
D657,214	S	*	4/2012	Chen	D8/25
D668,926	S	*	10/2012	Robinson et al.	D8/83
2003/0066395	A1	*	4/2003	Lin	81/177.2

* cited by examiner

Primary Examiner — Raphael Barkai
Assistant Examiner — Randall Gholson

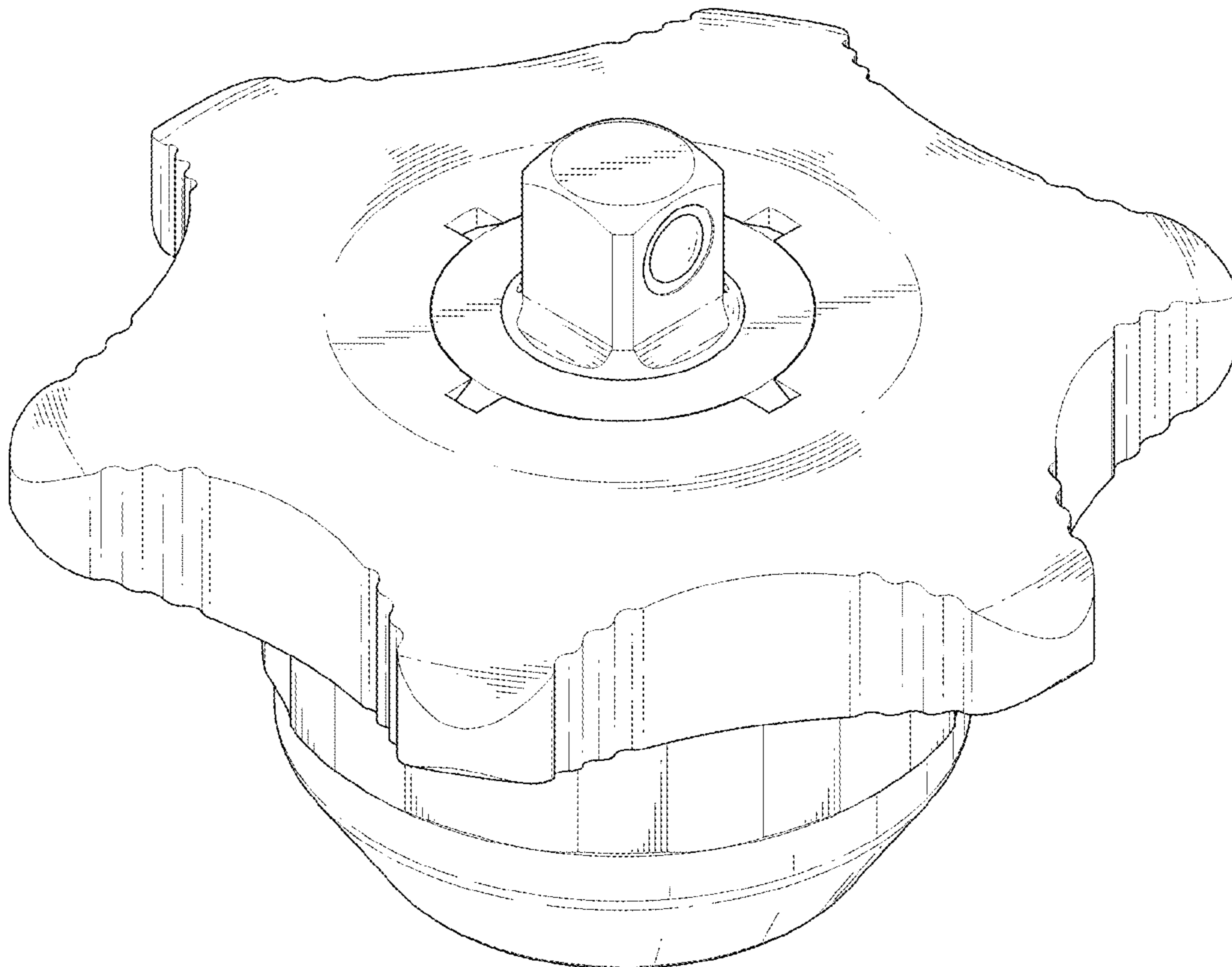
(57) **CLAIM**

The ornamental design for a ratchet tool, as shown and described.

DESCRIPTION

FIG. 1 is a perspective view of a ratchet tool showing my new design;
FIG. 2 is a front elevational view thereof;
FIG. 3 is a rear elevational view thereof;
FIG. 4 is a left side elevational view thereof;
FIG. 5 is a right side elevational view thereof;
FIG. 6 is a top plan view thereof;
FIG. 7 is a bottom plan view thereof; and,
FIG. 8 is a perspective view thereof shown in use.
The broken lines are intended to show features that are environmental only and form no part of the claimed design.

1 Claim, 8 Drawing Sheets



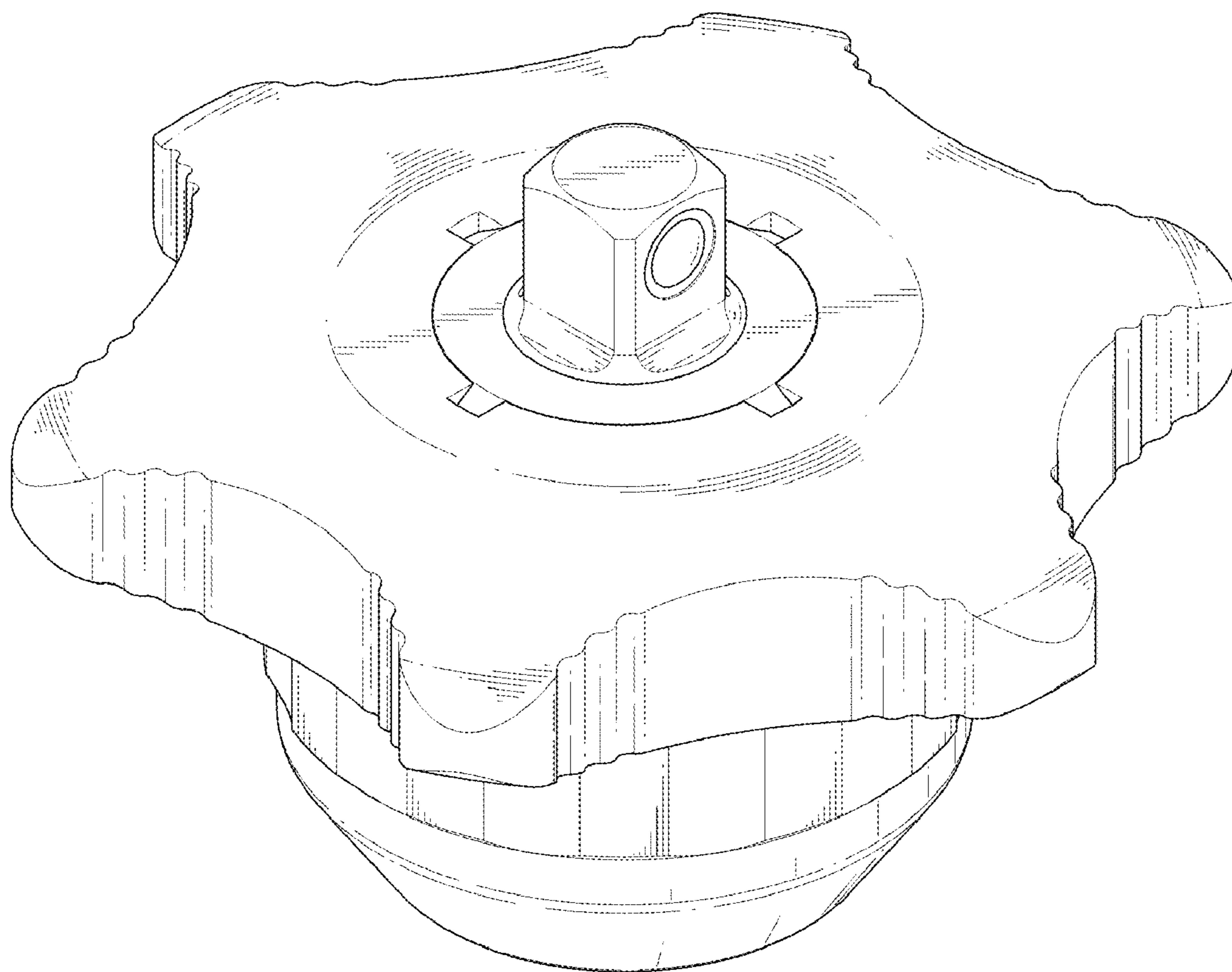


FIG. 1

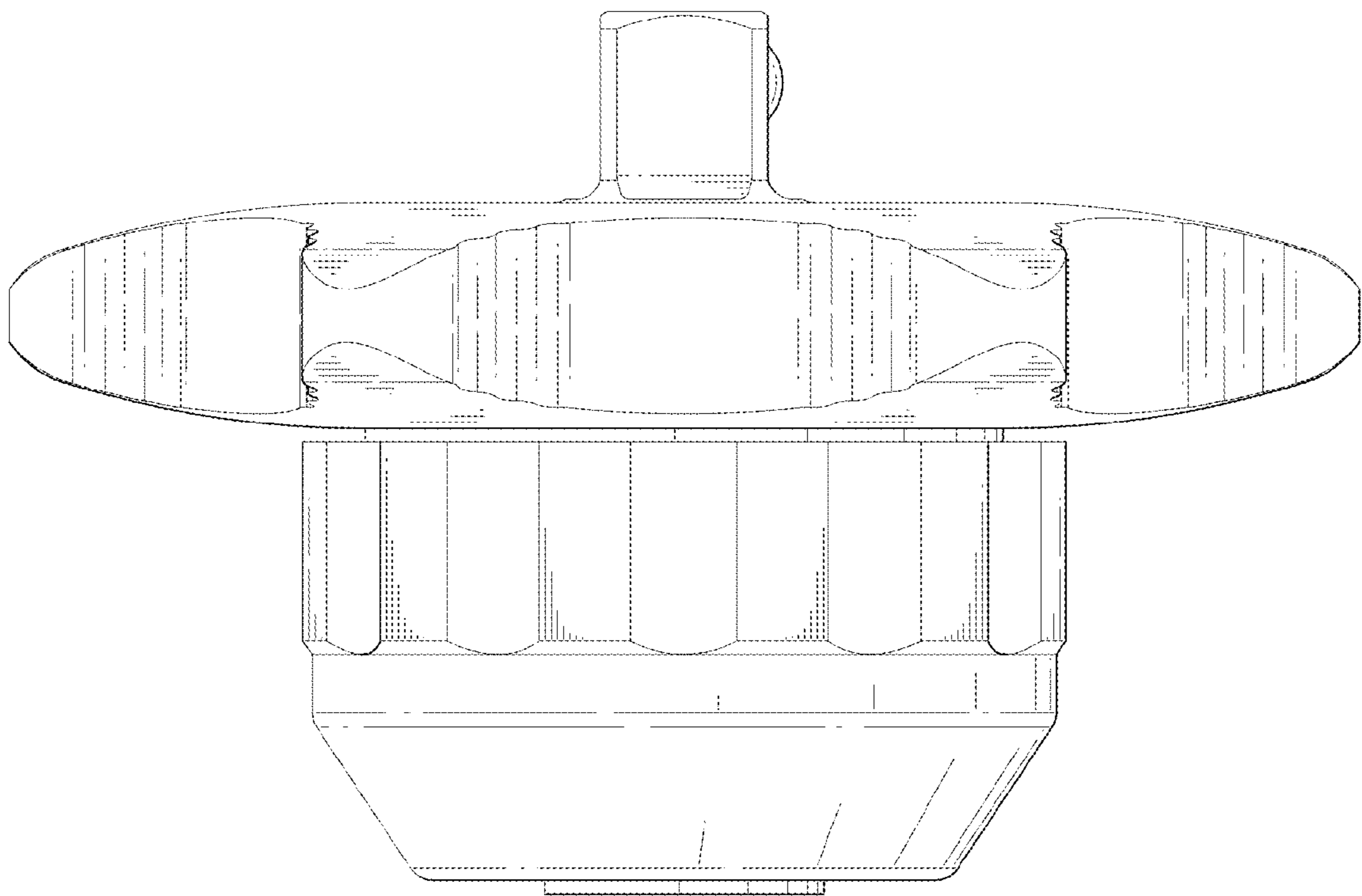


FIG. 2

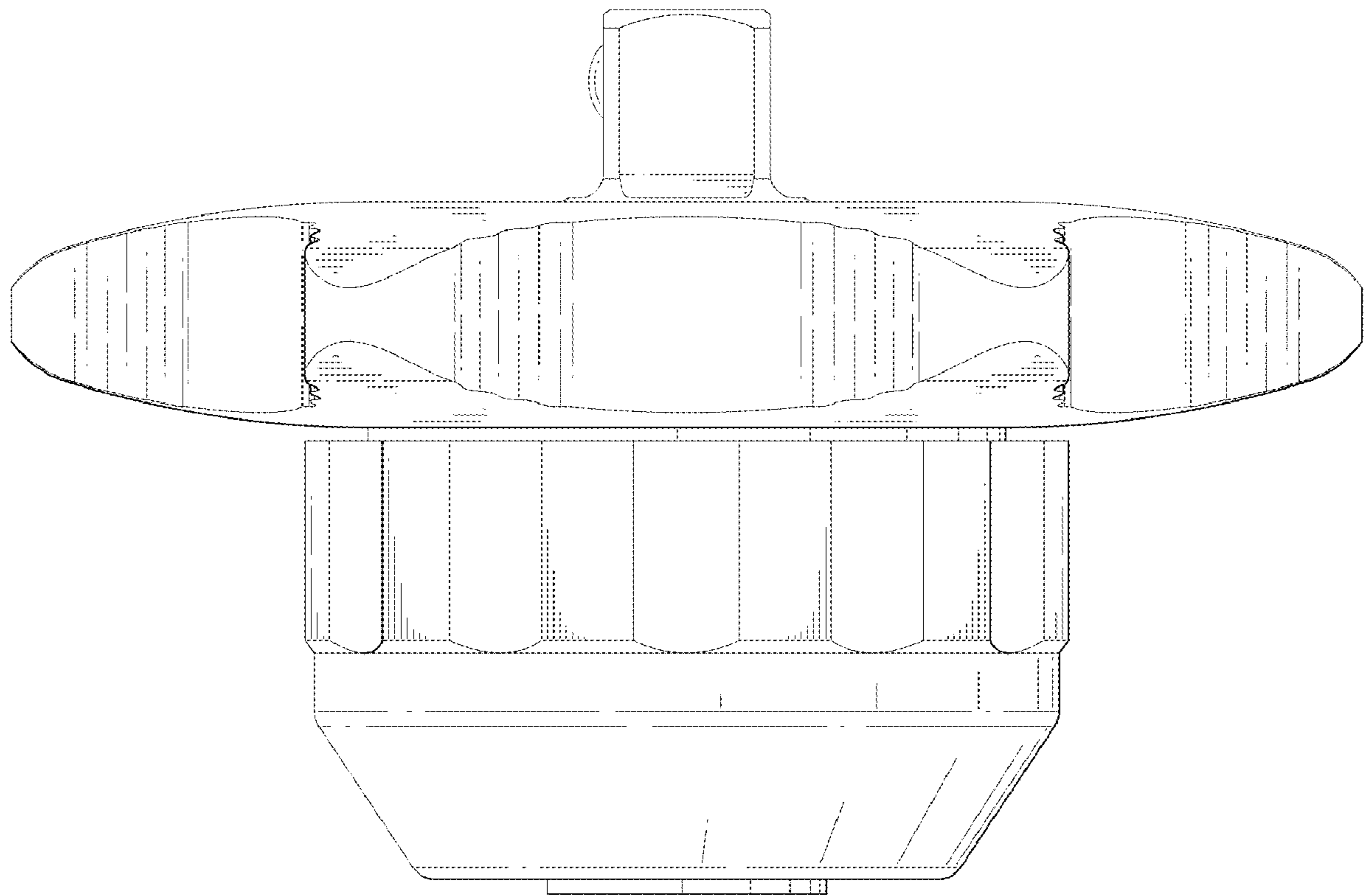


FIG. 3

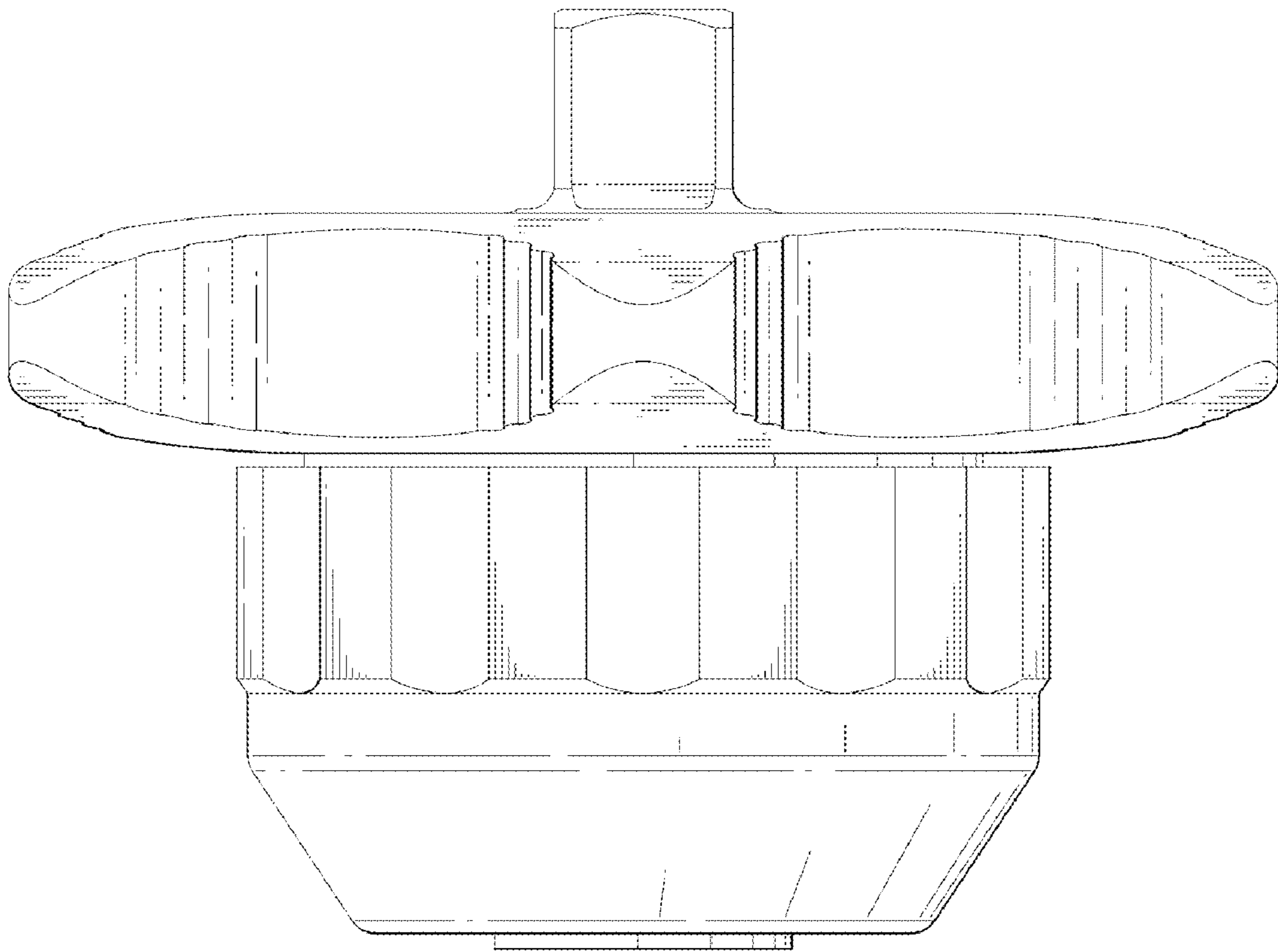


FIG. 4

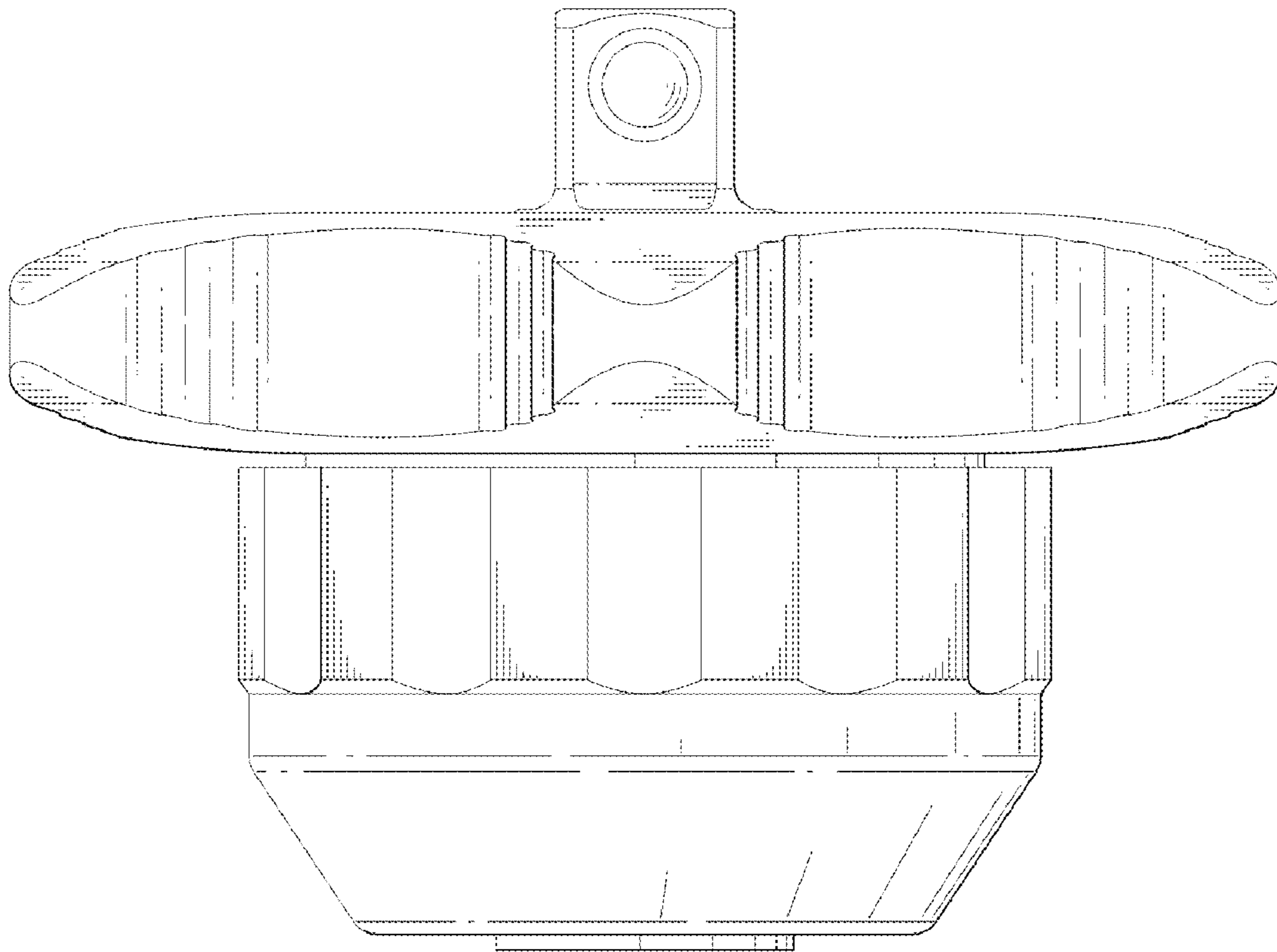


FIG. 5

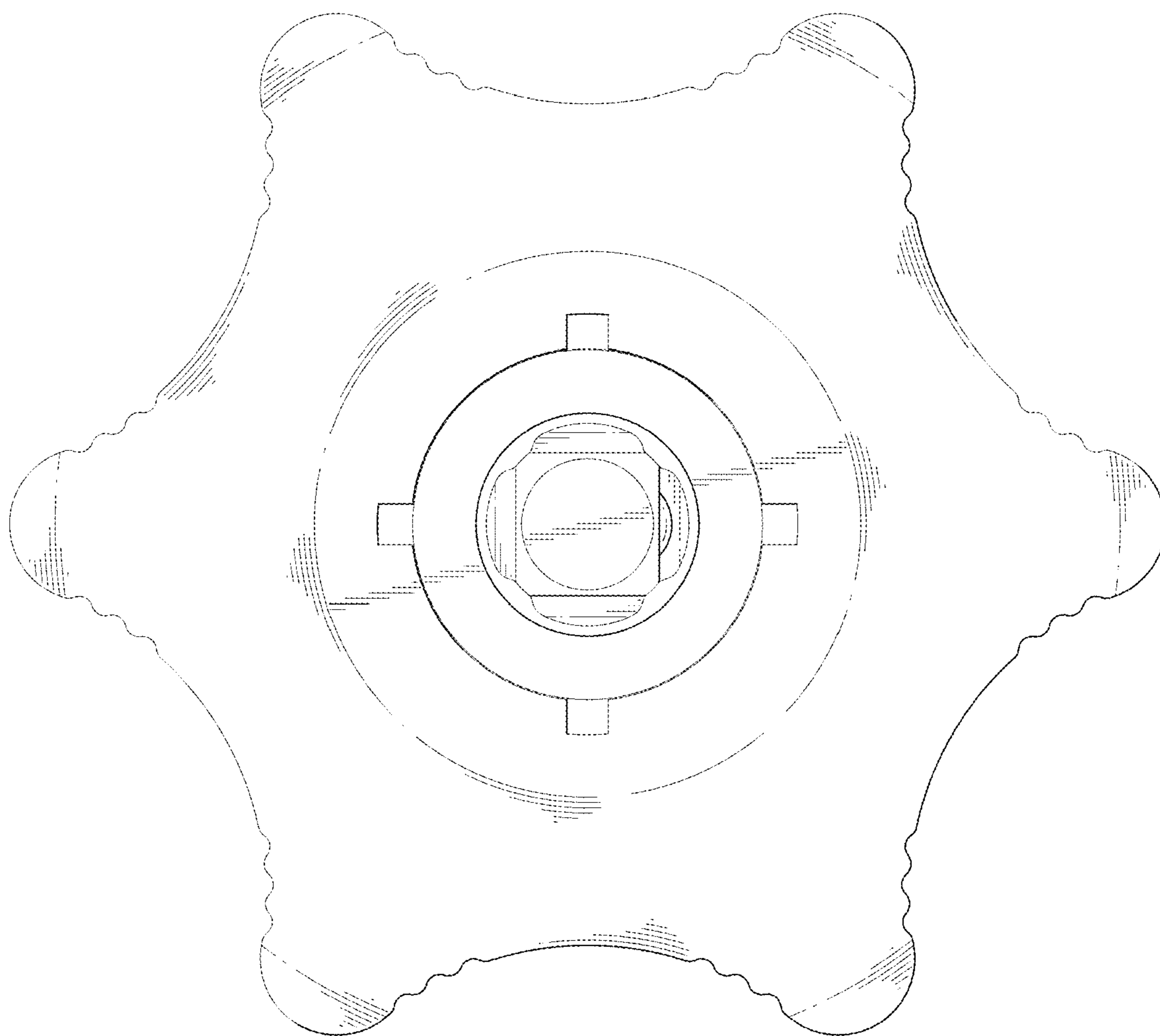


FIG. 6

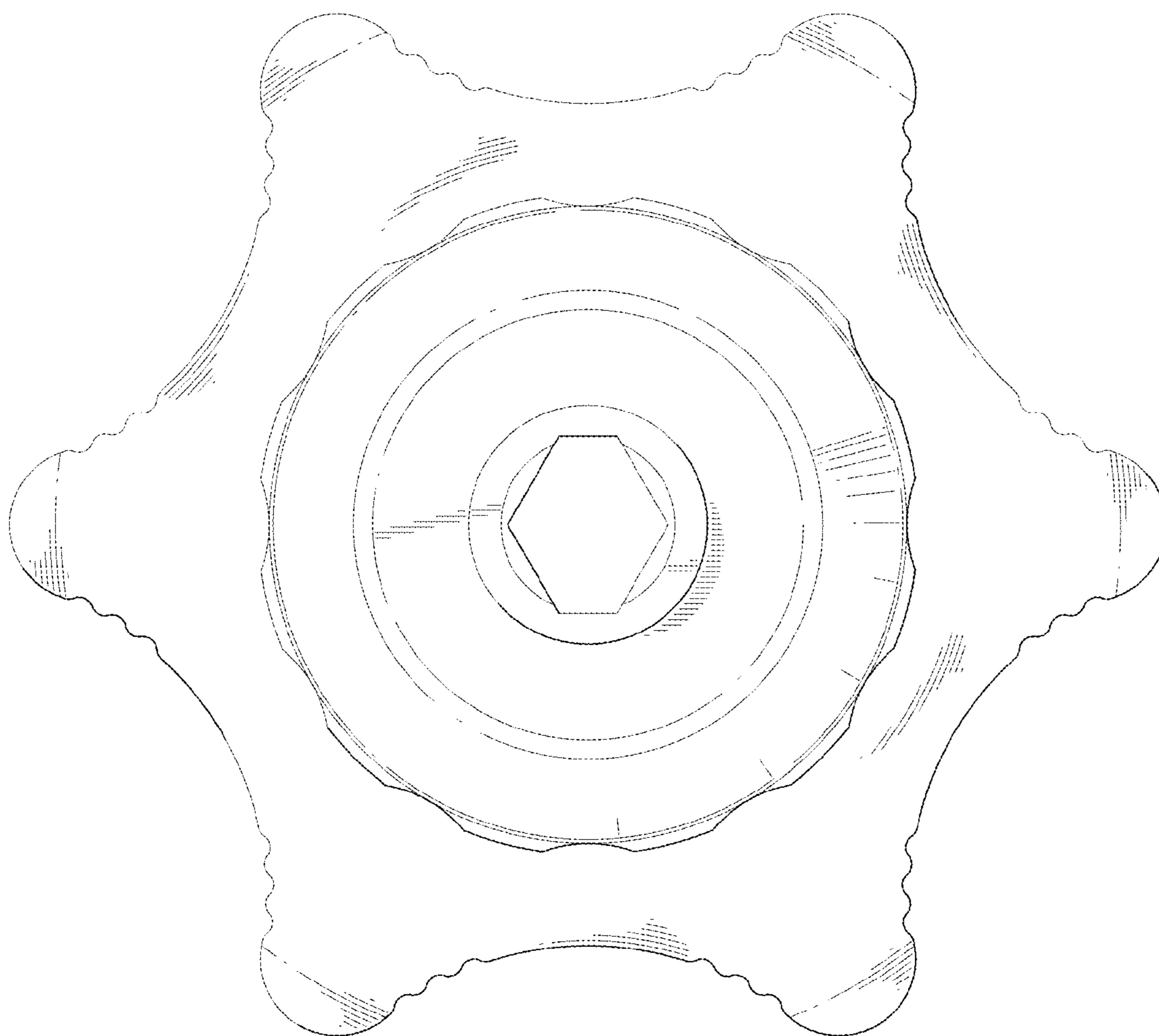


FIG. 7

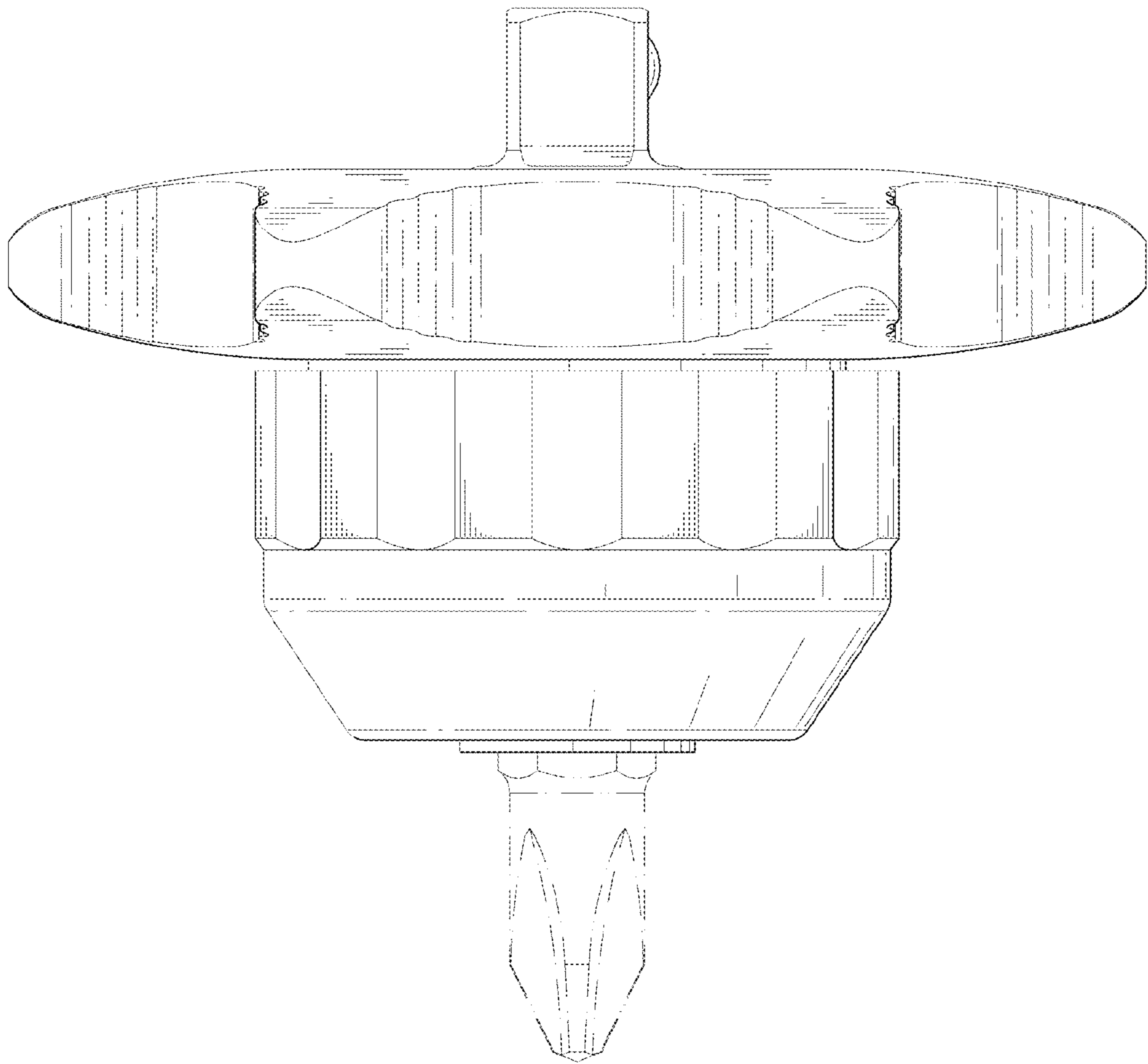


FIG. 8