



US00D675890S

(12) **United States Design Patent**
Reay

(10) **Patent No.:** **US D675,890 S**

(45) **Date of Patent:** **** Feb. 12, 2013**

(54) **PEELER**

(76) Inventor: **Gavin Reay**, London (GB)

(**) Term: **14 Years**

(21) Appl. No.: **29/401,242**

(22) Filed: **Sep. 9, 2011**

(51) **LOC (9) Cl.** **07-06**

(52) **U.S. Cl.** **D7/695**

(58) **Field of Classification Search** D7/368,
D7/669, 693, 694, 695, 393, 395; 241/92-95,
241/168, 169, 169.1, 273.1, 273.2, 273.3,
241/273.4; 99/485, 495, 567, 568, 584, 585,
99/588; 30/120.1, 278, 279.2, 279.4, 279.6,
30/280, 281, 282, 123.5, 294

See application file for complete search history.

(56) **References Cited**

U.S. PATENT DOCUMENTS

2,309,444	A *	1/1943	De Vault	30/280
2,323,863	A *	7/1943	Feemster	30/279.2
2,562,842	A *	7/1951	Cushman	81/3.56
D403,928	S *	1/1999	Joergensen	D7/695
5,865,110	A *	2/1999	Yonezawa	99/588
D407,277	S *	3/1999	Cousins	D7/695
D461,692	S *	8/2002	Law	D7/695
D479,445	S *	9/2003	Chang	D7/695

D486,703	S *	2/2004	Settele	D7/695
D488,362	S *	4/2004	Overthun et al.	D7/695
D506,650	S *	6/2005	Lee	D7/695
D511,442	S *	11/2005	Lee	D7/695
D518,689	S *	4/2006	McGuyer	D7/695
D519,335	S *	4/2006	Ishii	D7/695
7,065,882	B2 *	6/2006	Haberstroh	30/279.6
D531,466	S *	11/2006	Zirbes	D7/695
D563,738	S *	3/2008	Michaelian et al.	D7/695
D609,537	S *	2/2010	Kestenbaum	D7/695
D626,387	S *	11/2010	Hawker	D7/693

* cited by examiner

Primary Examiner — Elizabeth J Oswecki

(74) *Attorney, Agent, or Firm* — Eugene M. Cummings, P.C.

(57) **CLAIM**

The ornamental design for a peeler, as shown and described.

DESCRIPTION

FIG. 1 is a side perspective view of a peeler showing my new design.

FIG. 2 is a top perspective view of the peeler.

FIG. 3 is a front side view of the peeler.

FIG. 4 is a back side view of the peeler.

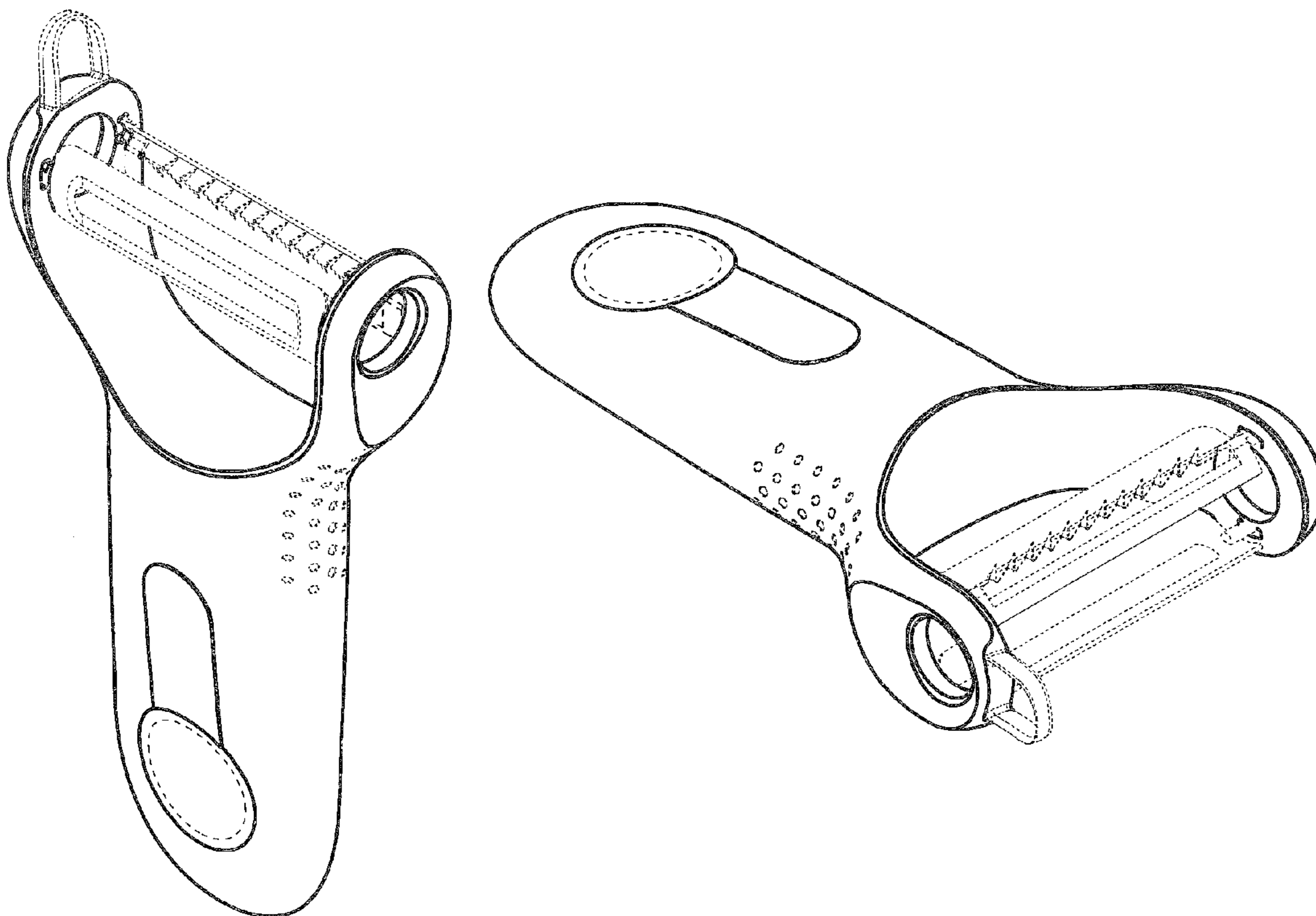
FIG. 5 is another side view of the peeler.

FIG. 6 is a top plan view of the peeler; and,

FIG. 7 is an enlarged bottom plan view of the peeler.

The broken lines shown in the drawings represent portions of the peeler that form no part of the claimed design.

1 Claim, 5 Drawing Sheets



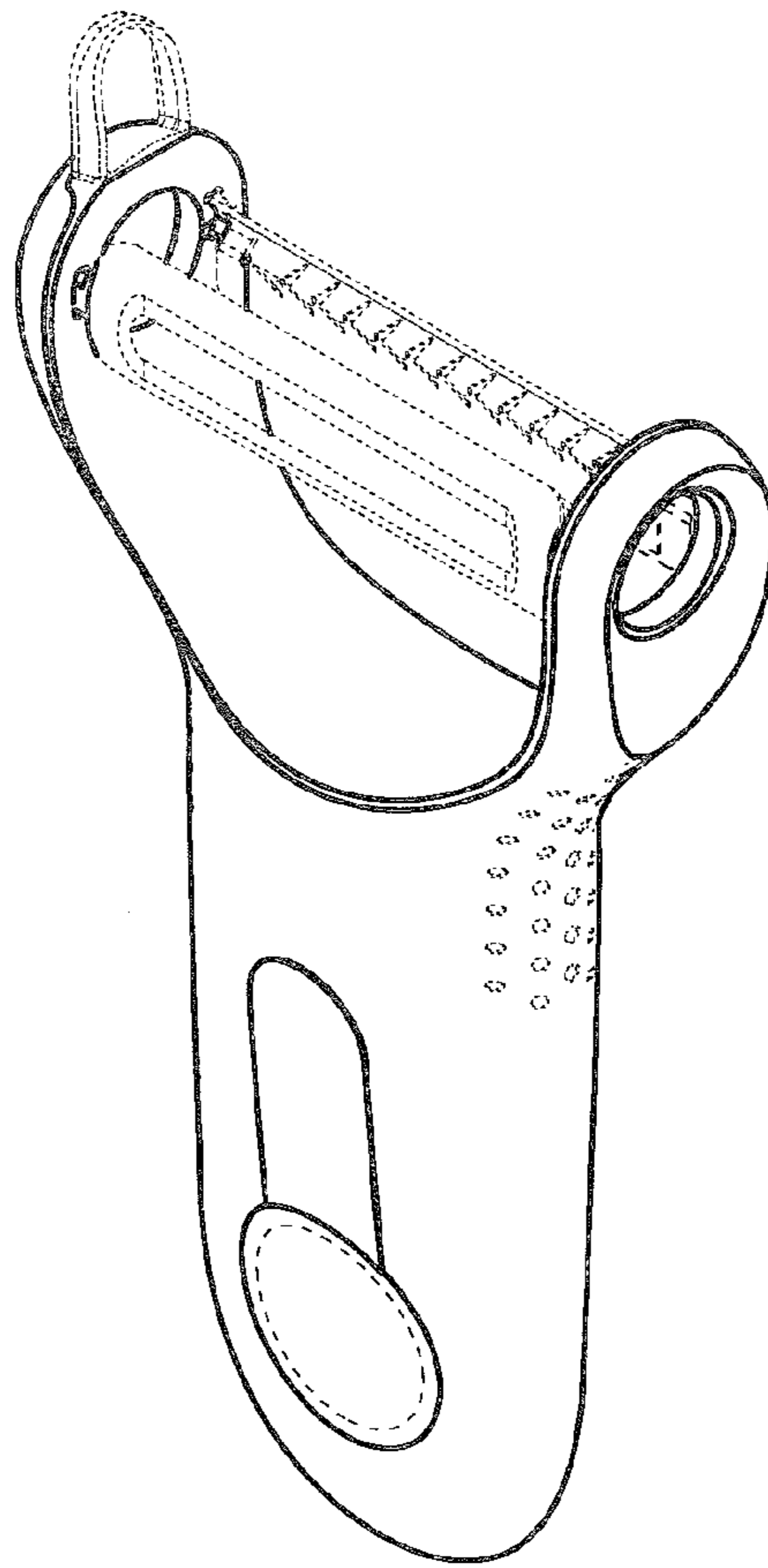


FIGURE 1

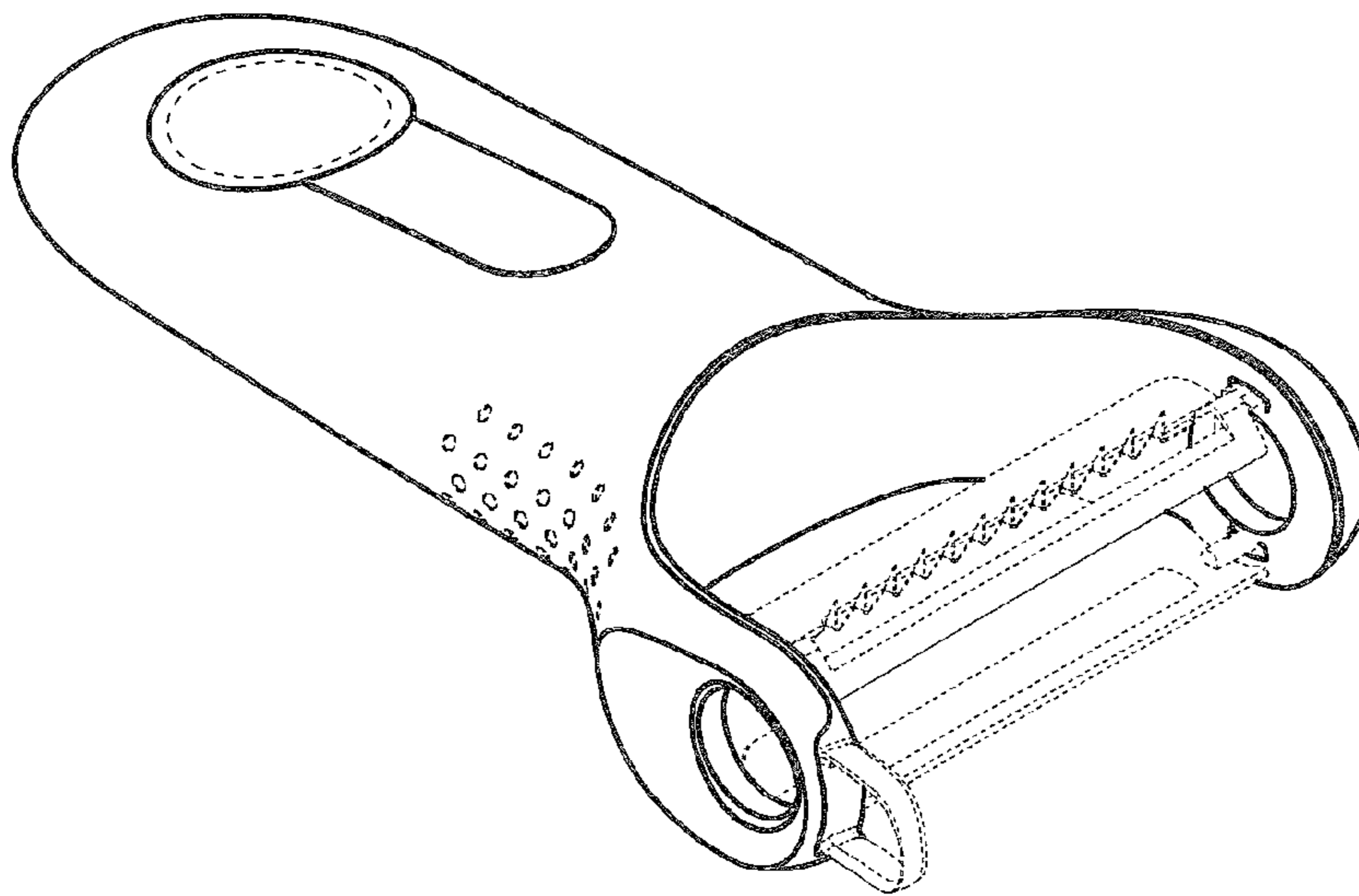


FIGURE 2

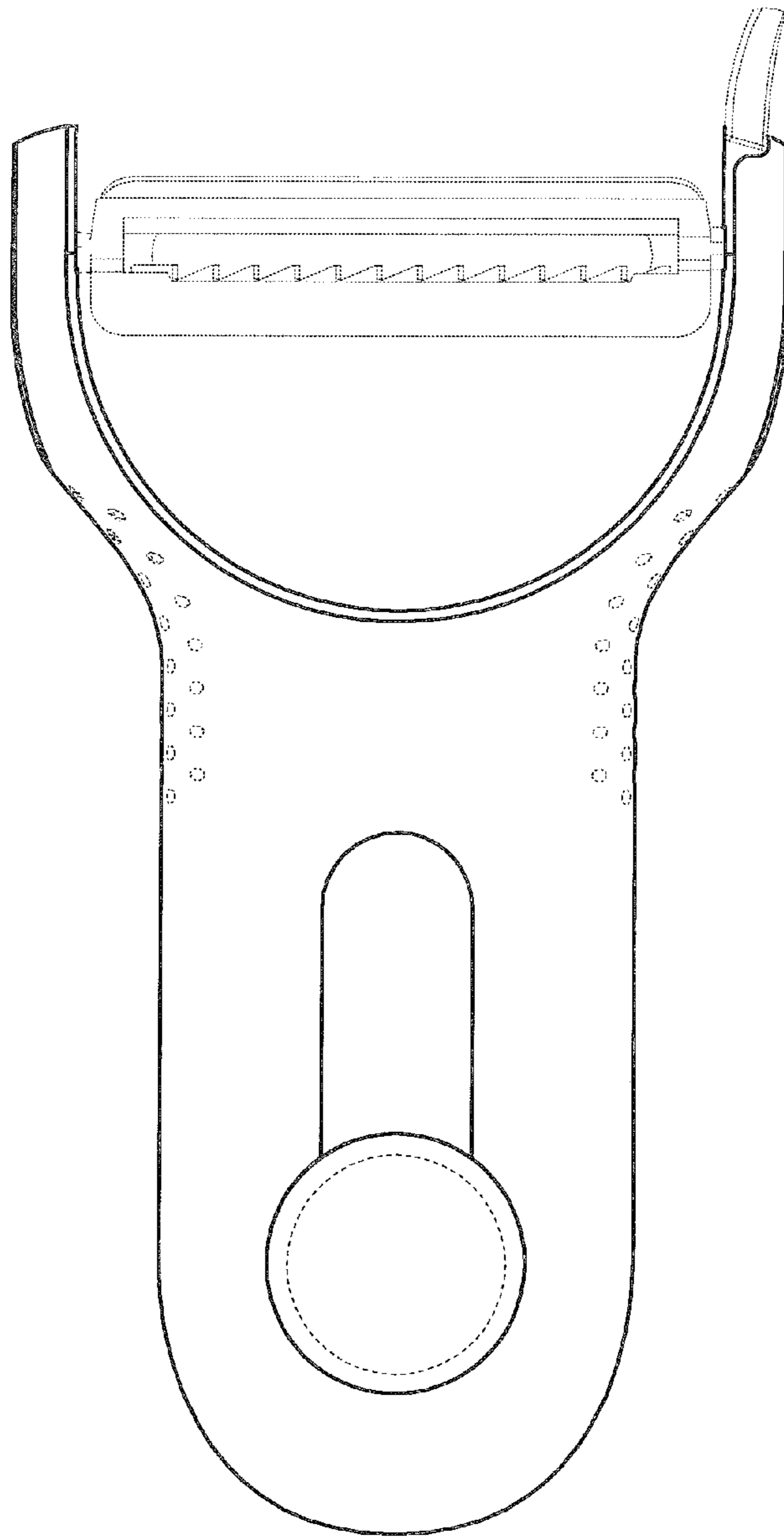


FIGURE 3

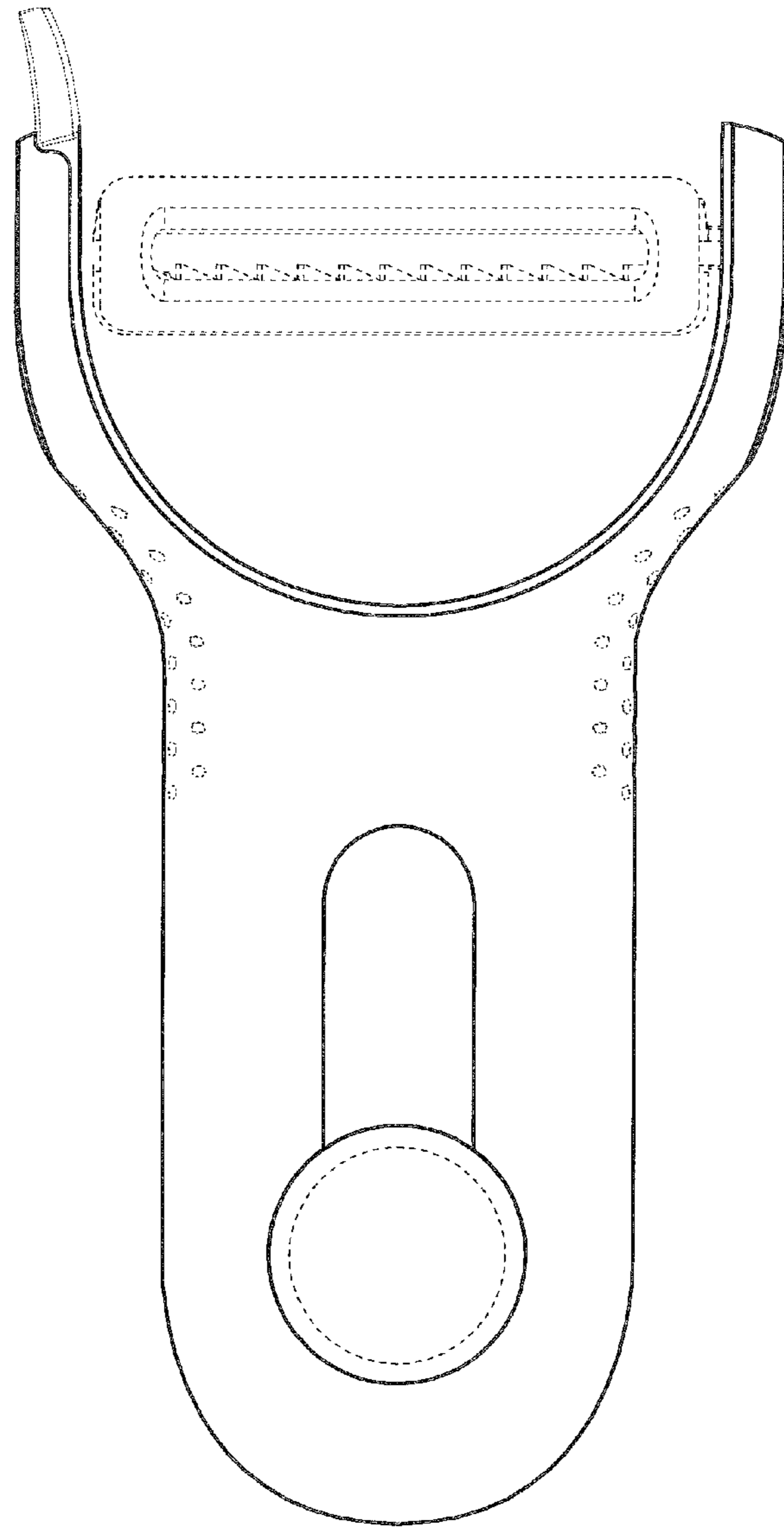


FIGURE 4

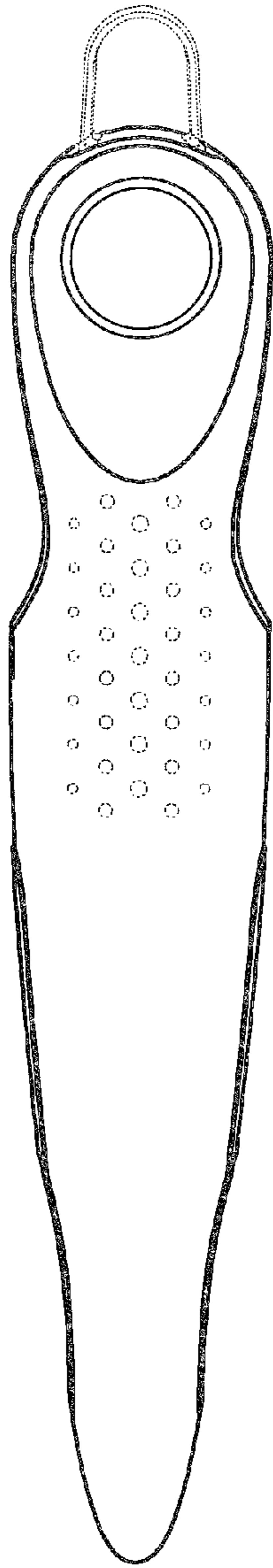


FIGURE 5

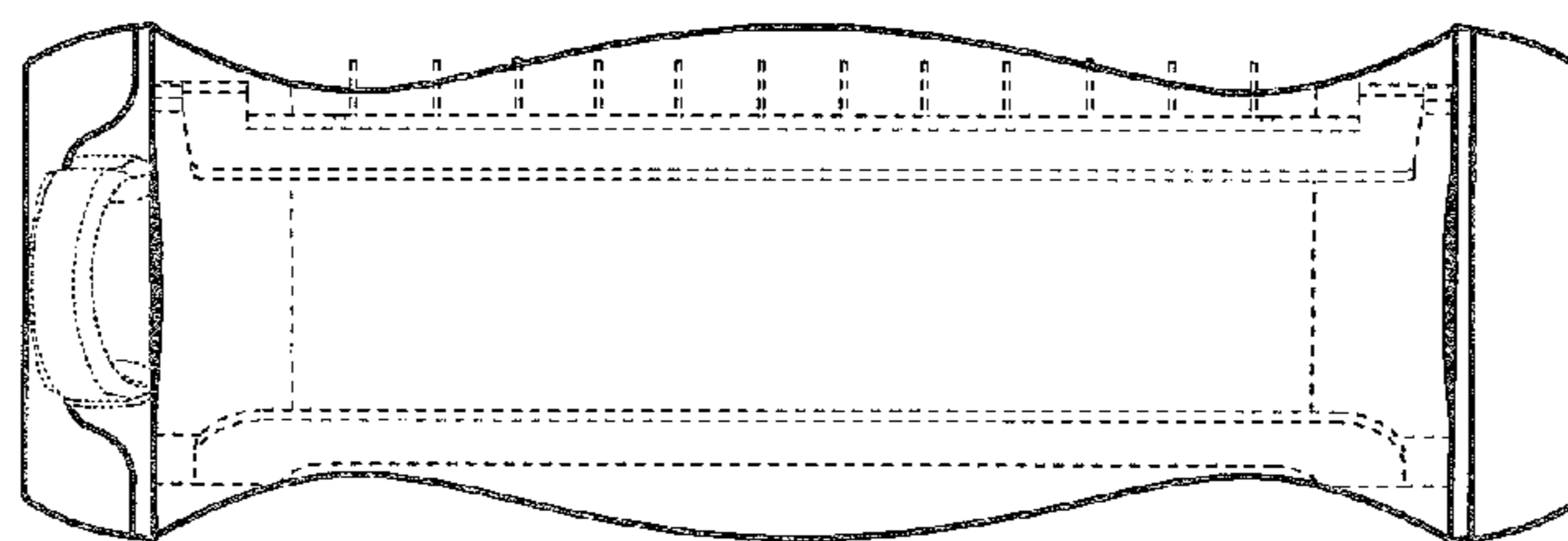


FIGURE 6

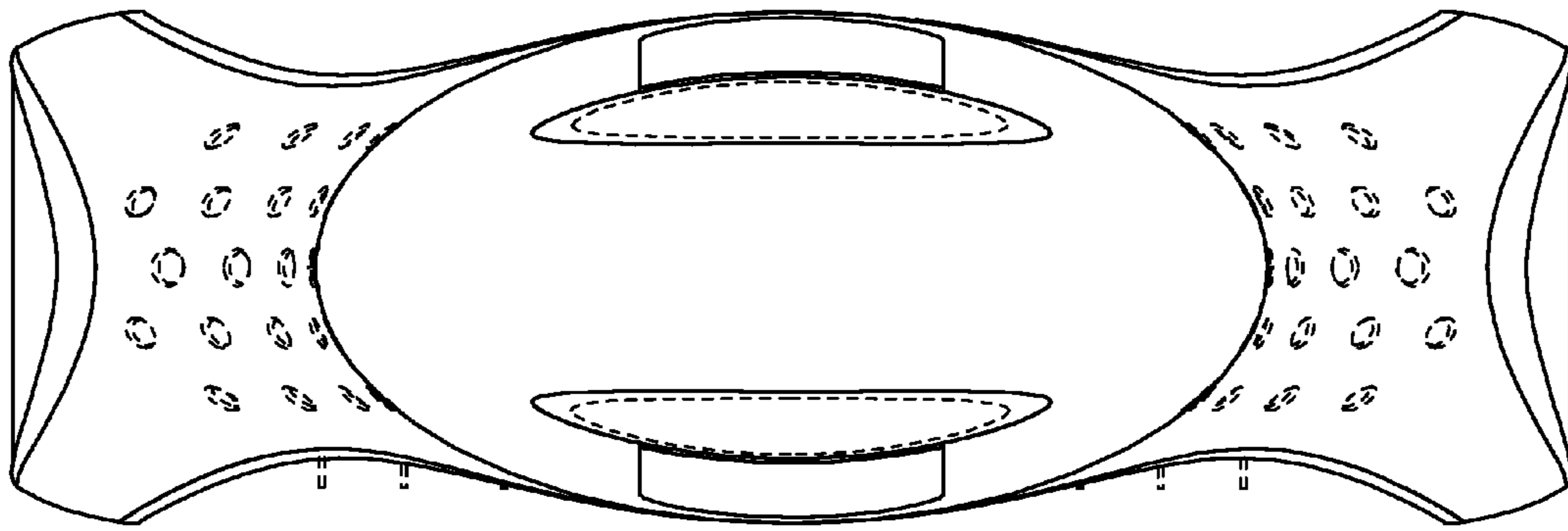


FIGURE 7