



US00D675882S

(12) **United States Design Patent**
Crockett

(10) **Patent No.:** **US D675,882 S**
(45) **Date of Patent:** **** Feb. 12, 2013**

(54) **FRENCH FRY CARTON HOLDER AND ADAPTOR FOR USE WITH VEHICLE CUP HOLDER**

(76) Inventor: **Irving R. Crockett**, Cordova, TN (US)

(**) Term: **14 Years**

(21) Appl. No.: **29/424,387**

(22) Filed: **Jun. 12, 2012**

(51) **LOC (9) Cl.** **07-04**

(52) **U.S. Cl.** **D7/619.1; D7/601**

(58) **Field of Classification Search** D7/601, D7/619.1-625; D9/431; 206/503, 514, 562, 206/217, 549; 248/311.2, 548, 314, 346.11; 215/393-395; 211/74, 71.01; 224/482, 483, 224/926, 542, 274, 275, 401, 402; 229/405, 229/400, 117.05, 906, 904; 220/23.4, 26.86

See application file for complete search history.

(56) **References Cited**

U.S. PATENT DOCUMENTS

3,684,157	A	8/1972	Mendez	
4,854,468	A *	8/1989	Dahlquist et al.	211/74
D306,975	S	4/1990	Brondyke	
5,492,269	A	2/1996	Sung	
5,720,429	A	2/1998	Cordle	
D400,763	S *	11/1998	Taylor et al.	D7/619.1
6,099,062	A *	8/2000	Siegel	224/926
6,113,049	A	9/2000	Miljanich	

6,533,233	B2 *	3/2003	Thomas	248/311.2
6,634,547	B2	10/2003	Willis	
6,732,990	B2	5/2004	Hudson	
D501,118	S *	1/2005	Schrock	D7/619.1
D527,585	S *	9/2006	Welsh	D7/619.1
D529,766	S *	10/2006	Cunningham	D7/624.2
2004/0206873	A1	10/2004	Pastore	

* cited by examiner

Primary Examiner — Terry Wallace

(57) **CLAIM**

I claim the ornamental design for the French fry carton holder and adaptor for use with vehicle cup holder, as shown and described.

DESCRIPTION

FIG. 1 is a front view of the French fry carton holder and adaptor for use with vehicle cup holder.

FIG. 2 is a rear view of the claimed design.

FIG. 3 is a side view of the claimed design.

FIG. 4 is a top view of the claimed design.

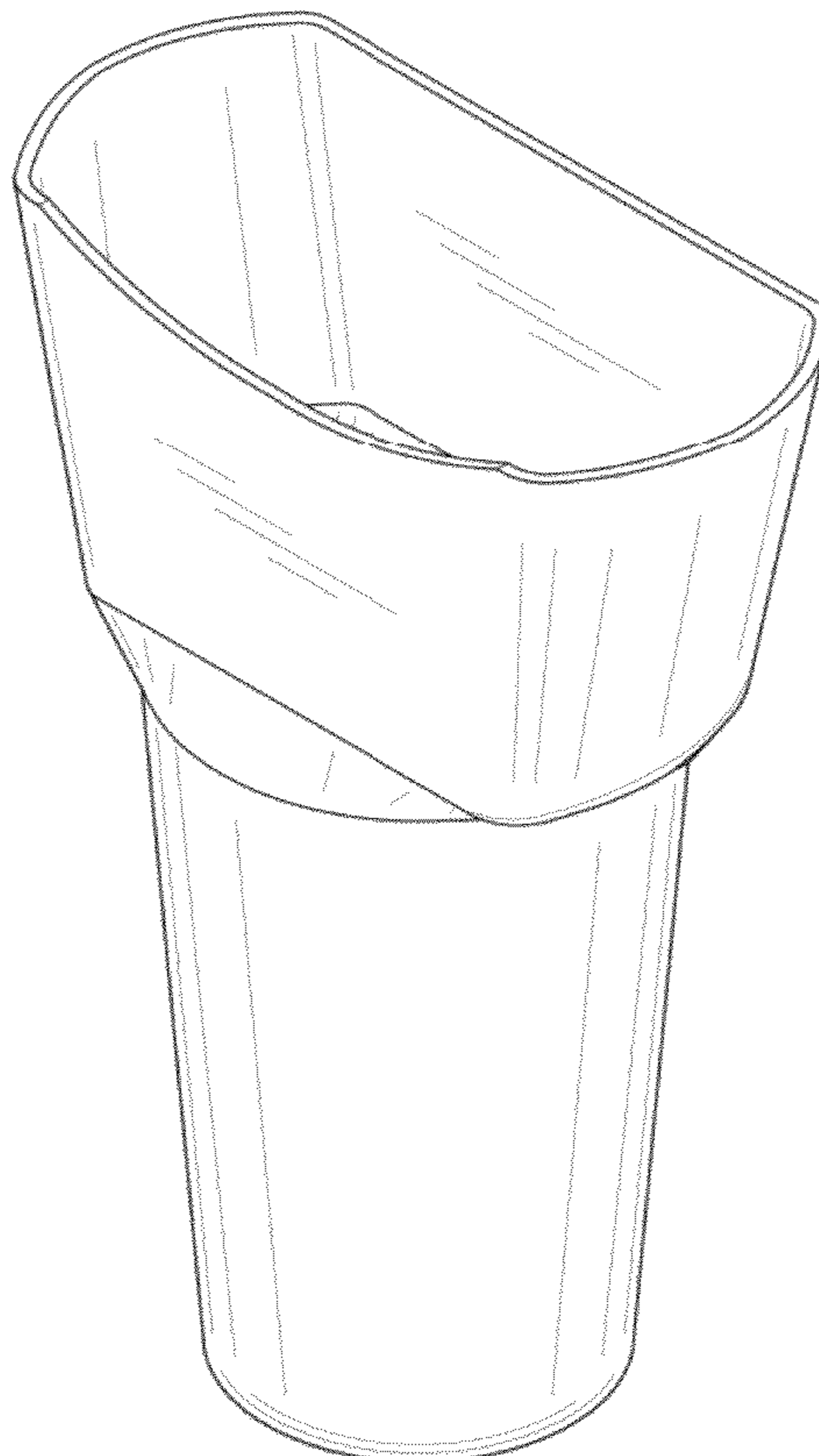
FIG. 5 is a bottom view of the claimed design.

FIG. 6 is a perspective view of the claimed design; and,

FIG. 7 is a second perspective view of the claimed design in use with a French fry carton and seated in a vehicle cup holder.

The French fry carton and vehicle cup holder are depicted in broken lines as environmental matter forming no part of the claimed design.

1 Claim, 5 Drawing Sheets



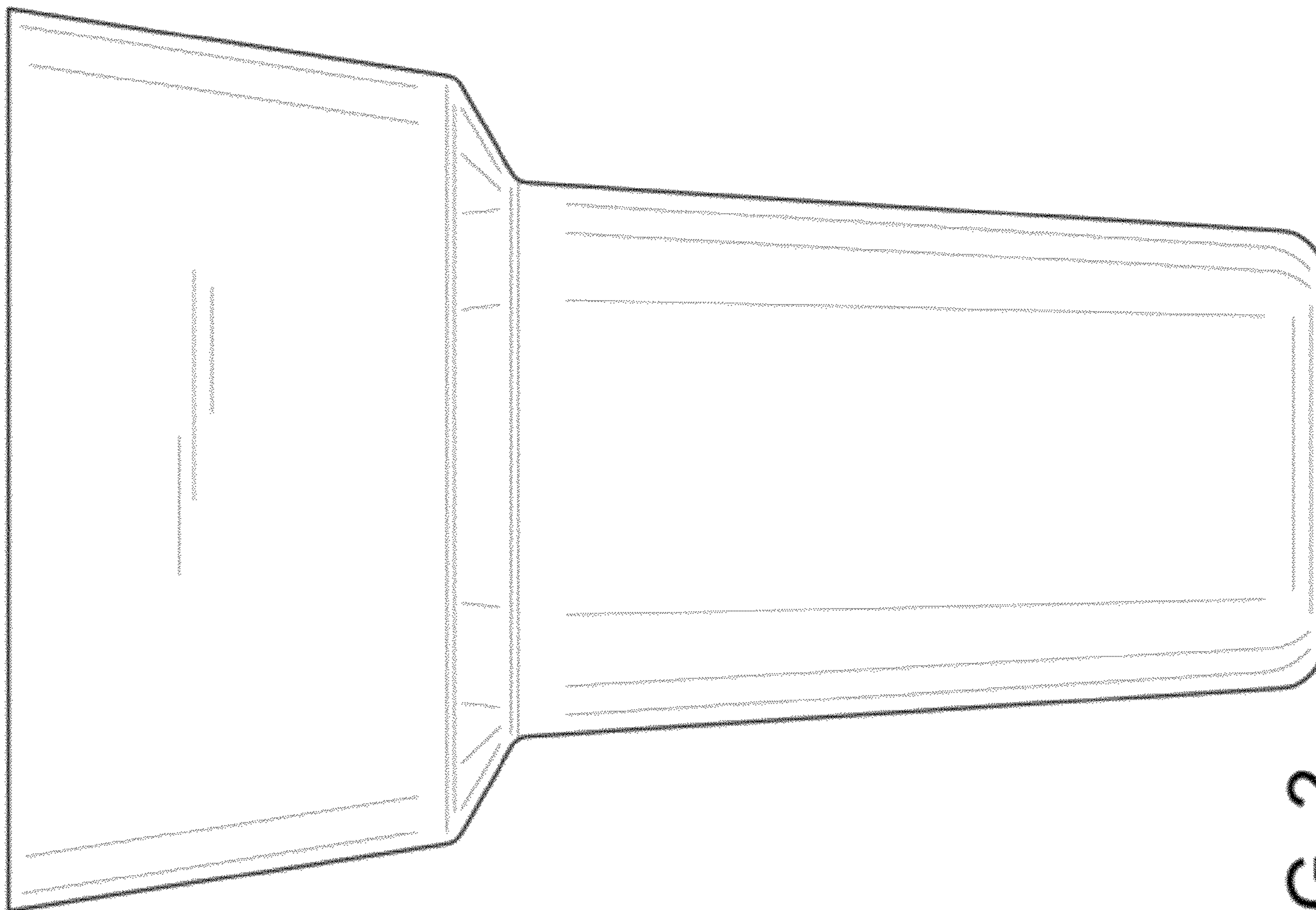


FIG. 2

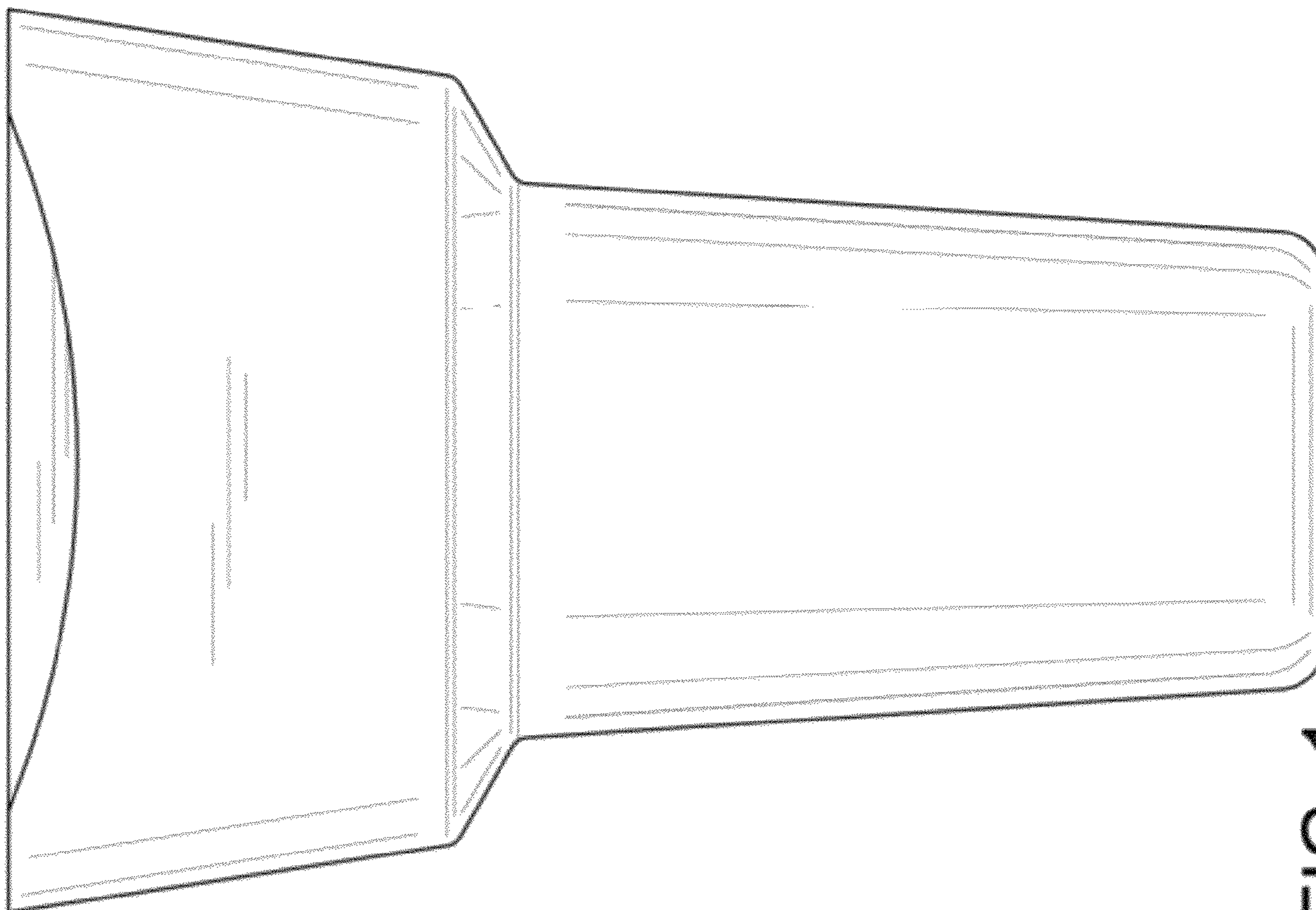


FIG. 1

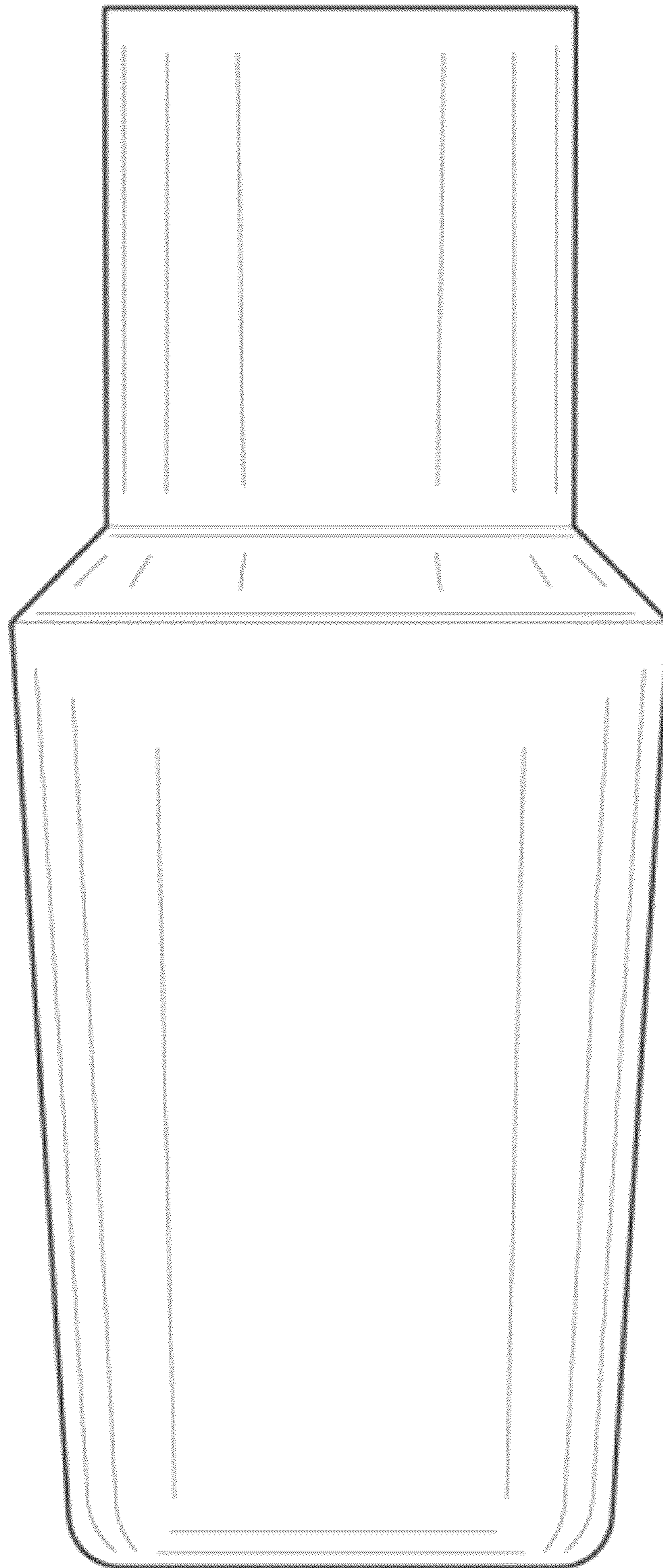


FIG. 3

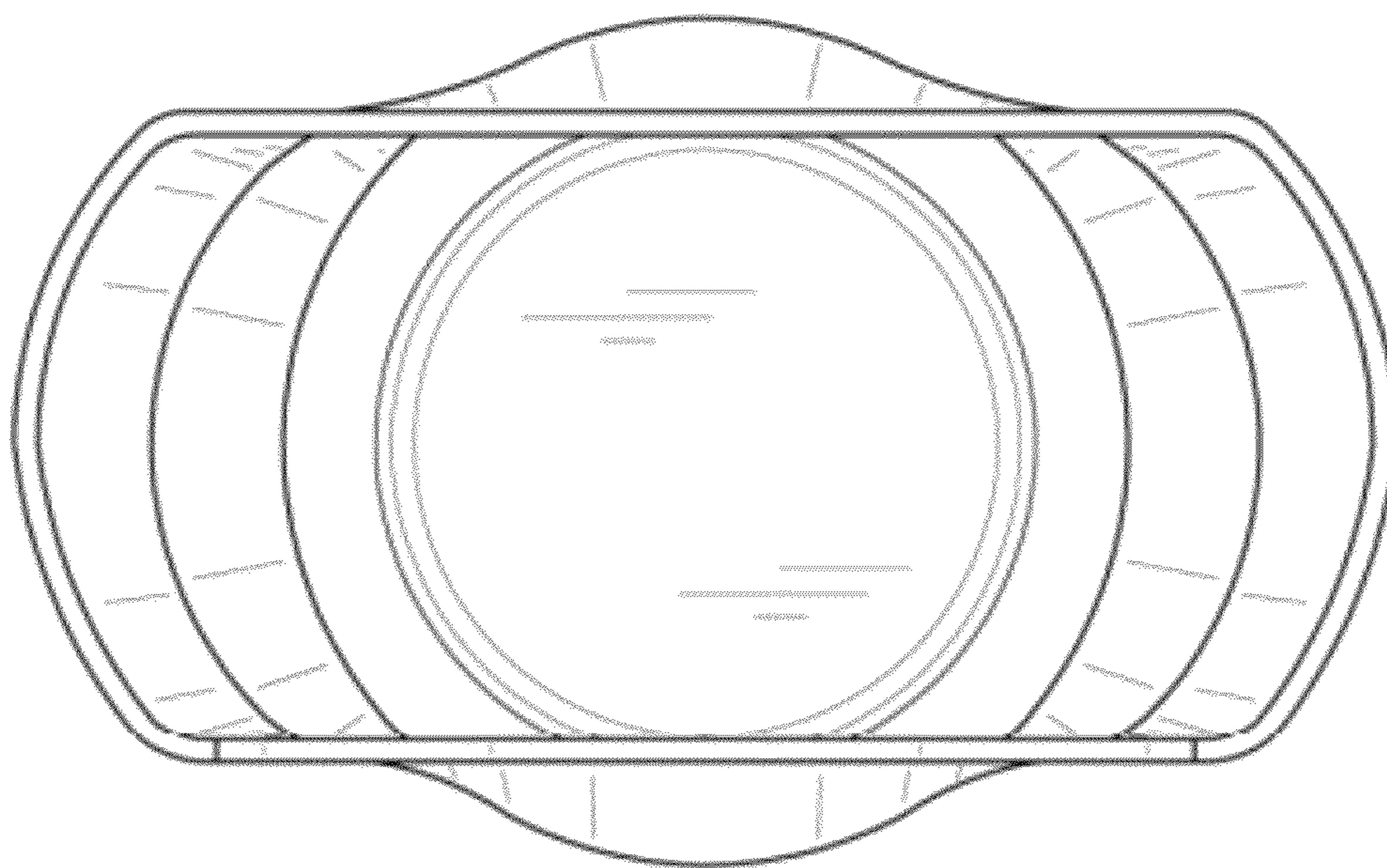


FIG. 4

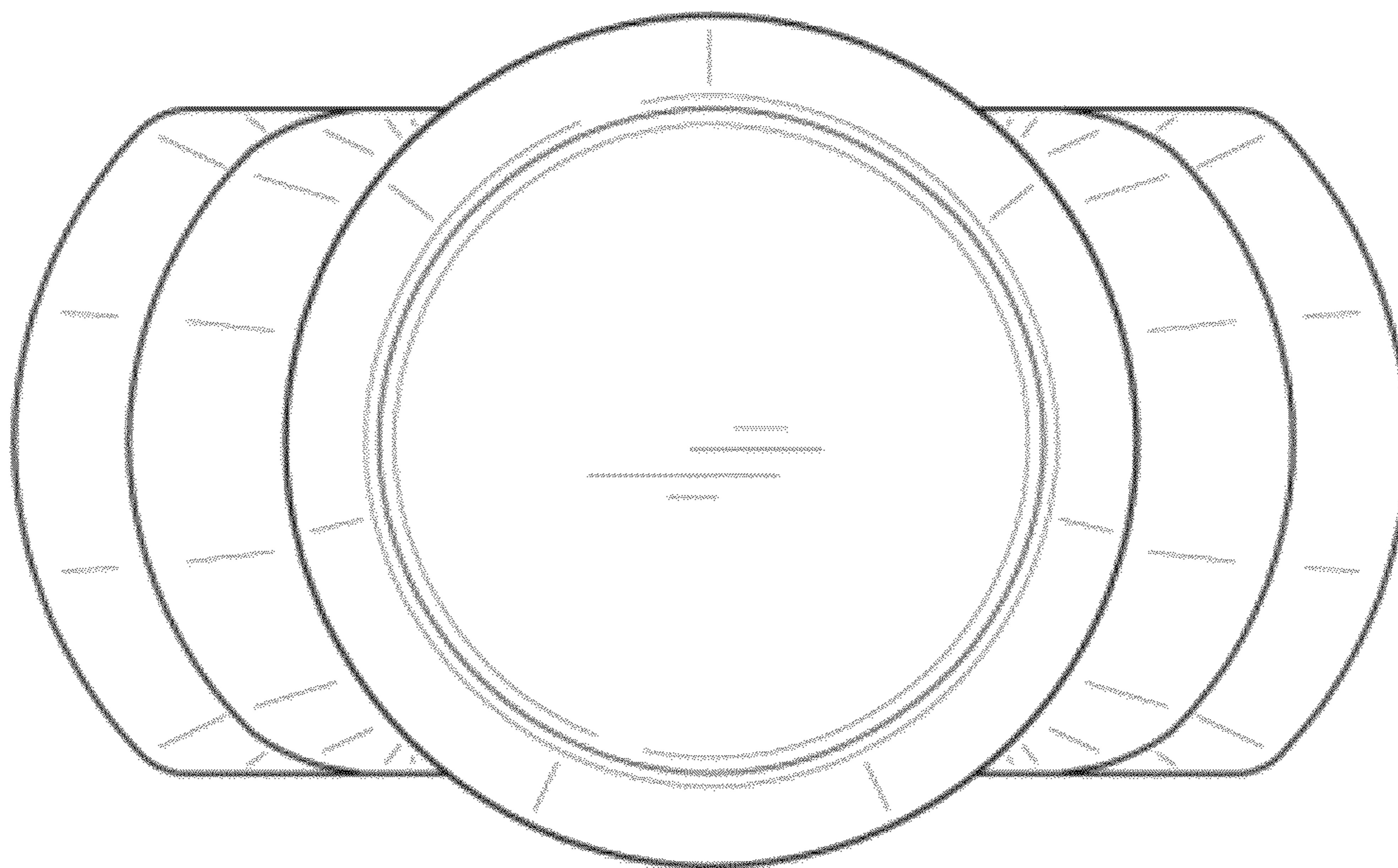


FIG. 5

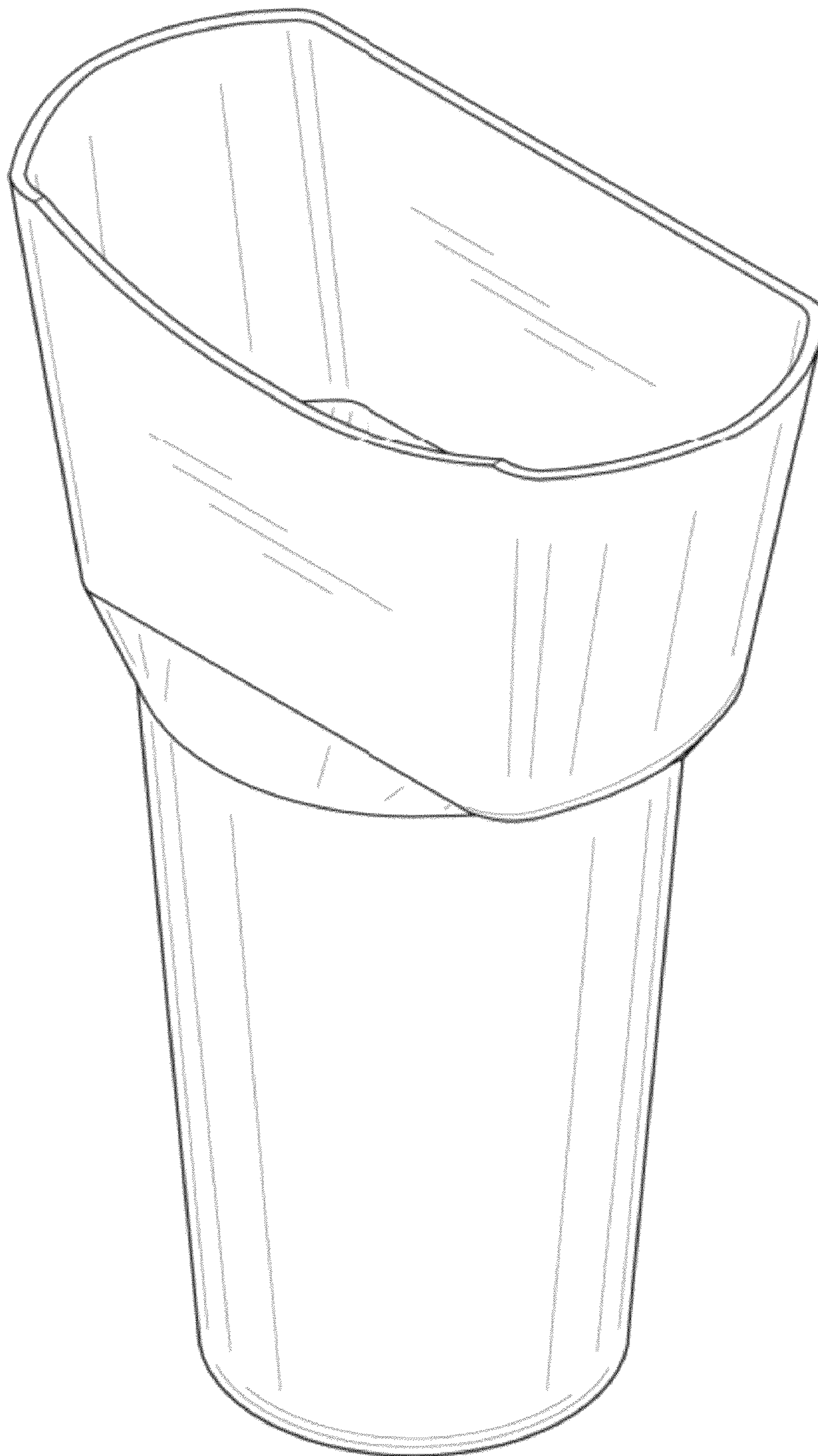


FIG. 6

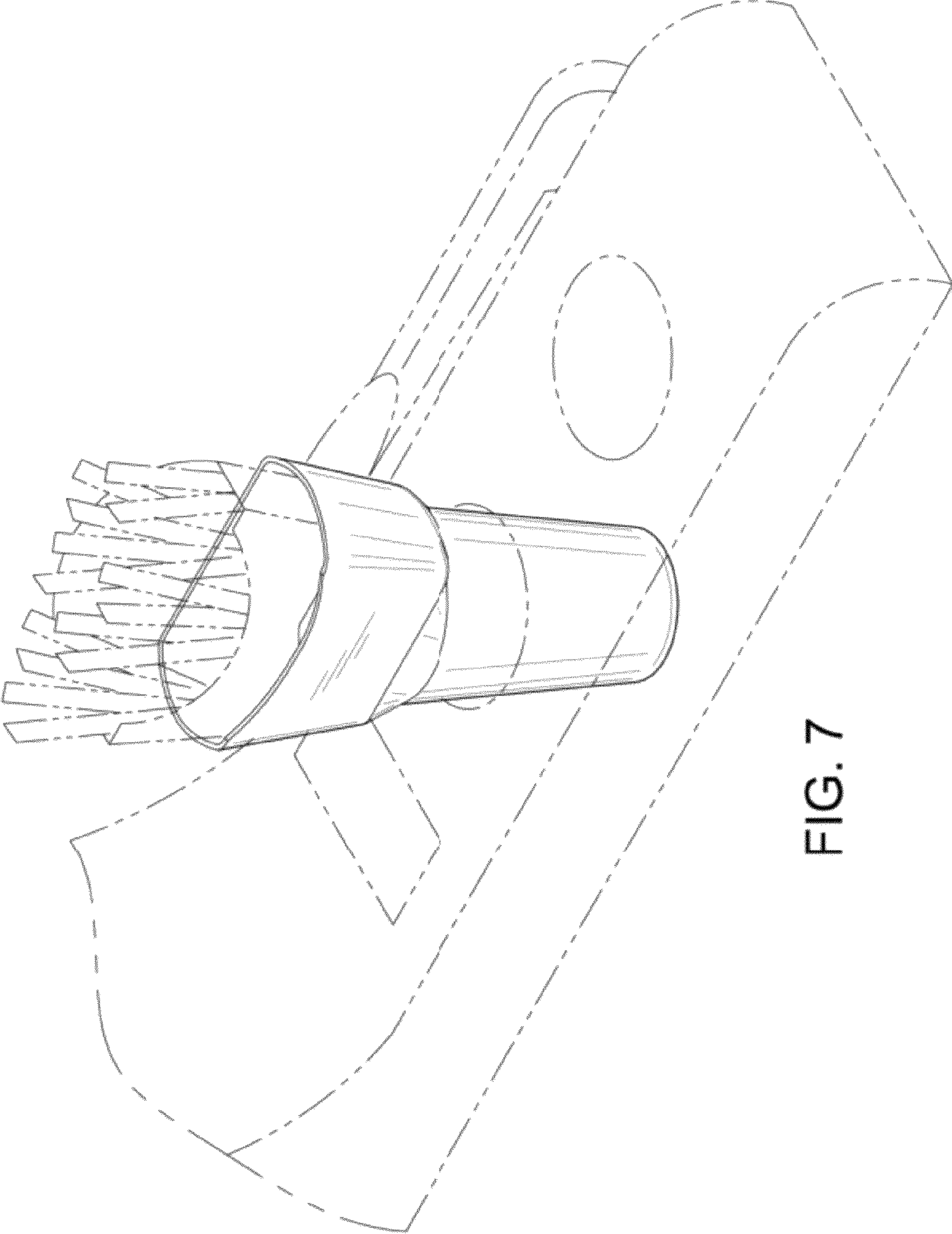


FIG. 7