



US00D675881S

(12) **United States Design Patent**
Wamack, Jr.

(10) **Patent No.:** **US D675,881 S**

(45) **Date of Patent:** **** Feb. 12, 2013**

(54) **BEVERAGE INSULATOR**

(76) Inventor: **Ralph Reese Wamack, Jr.**, Ashland, OH
(US)

(**) Term: **14 Years**

(21) Appl. No.: **29/428,401**

(22) Filed: **Jul. 31, 2012**

(51) **LOC (9) Cl.** **07-01**

(52) **U.S. Cl.** **D7/608; D7/624.3**

(58) **Field of Classification Search** D7/619.1-625,
D7/603-608; D3/229; 220/737, 739, 902,
220/903; 215/393-398; 211/74; 248/311.2,
248/309.1

See application file for complete search history.

(56) **References Cited**

U.S. PATENT DOCUMENTS

3,092,277	A	6/1963	Brim	
D266,391	S	10/1982	Jordon	
D273,247	S	4/1984	Pigott	
4,872,577	A	10/1989	Smith	
D306,545	S	3/1990	Rosdick	
D315,848	S	4/1991	Guzman	
D316,949	S	5/1991	Frizell	
D326,032	S	5/1992	Leach	
D347,973	S	6/1994	McBride	
D358,071	S *	5/1995	Gill	D7/605
6,039,207	A	3/2000	Adamek	
D429,968	S	8/2000	Frankel	
6,206,223	B1 *	3/2001	Wicker	220/375

D442,833	S *	5/2001	Shuman	D7/608
D474,650	S	5/2003	Reeves	
D488,357	S	4/2004	Cabey	
D497,778	S *	11/2004	Rich	D7/608
D625,513	S *	10/2010	Carnes et al.	D3/229

* cited by examiner

Primary Examiner — Terry Wallace

(74) *Attorney, Agent, or Firm* — QuickPatents, Inc.; Kevin Prince

(57) **CLAIM**

I claim the ornamental design for a beverage insulator, as shown and described.

DESCRIPTION

FIG. 1 is a perspective view of a beverage insulator, showing my new design in an open position;

FIG. 2 is a perspective view thereof, illustrated in a closed position;

FIG. 3 is a front elevational view of FIG. 2;

FIG. 4 is a rear elevational view of FIG. 2;

FIG. 5 is a right-side elevational view of FIG. 2, the left-side elevational view being a mirror image thereof;

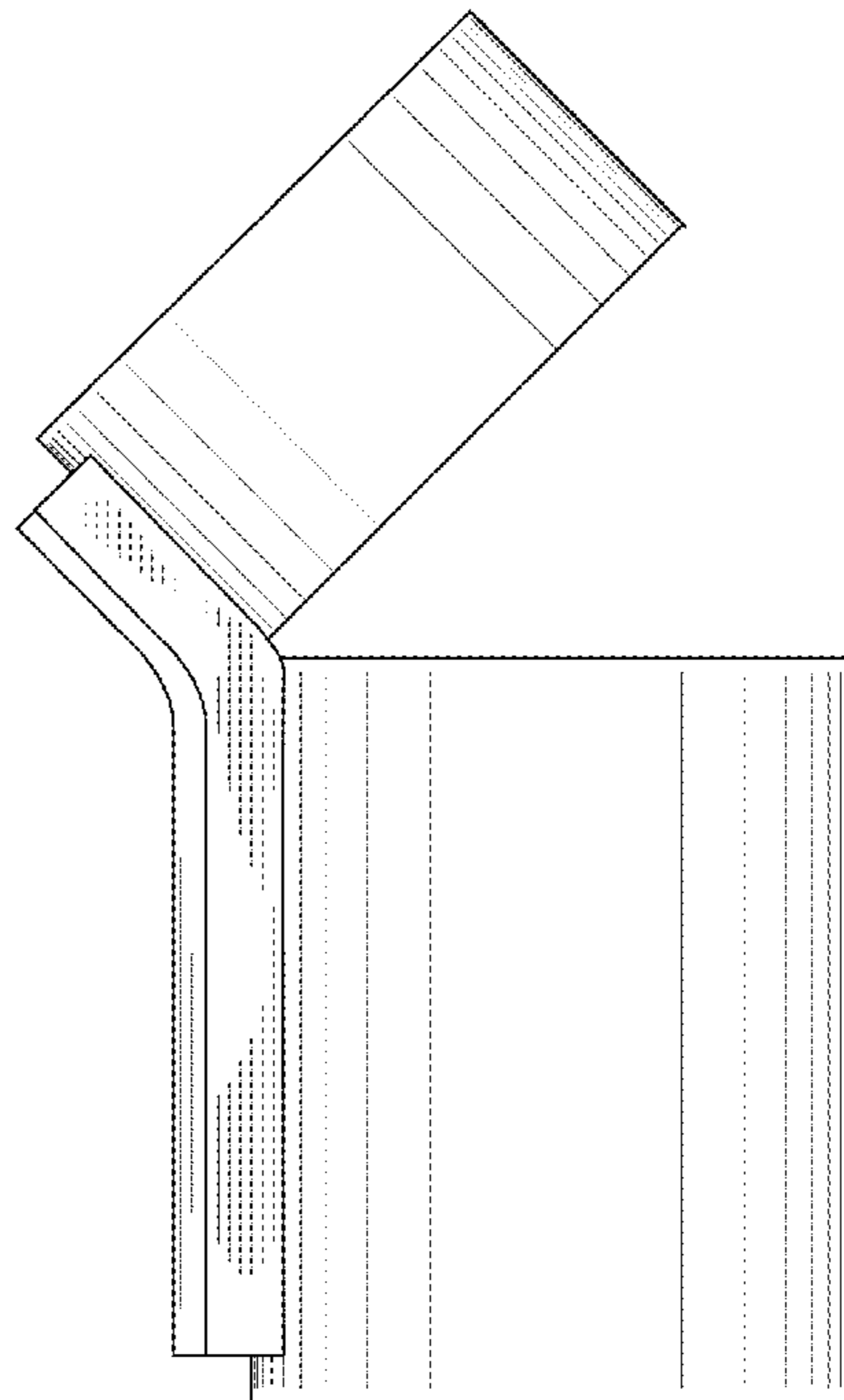
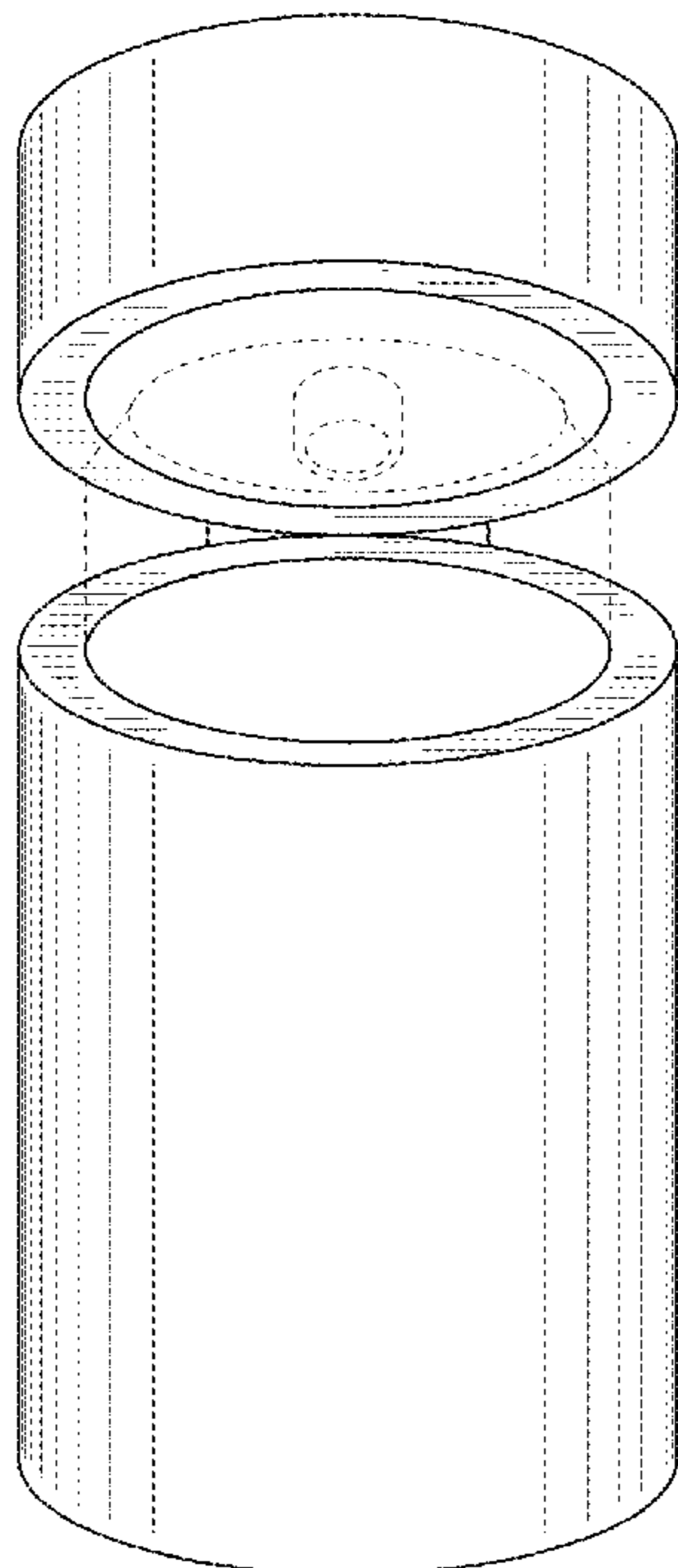
FIG. 6 is a top plan view of FIG. 2;

FIG. 7 is a bottom plan view of FIG. 2; and,

FIG. 8 is a left-side elevational view of FIG. 1, the right-side elevational view being a mirror image thereof.

The broken lines showing a soda can in FIG. 1 and an aperture in FIG. 7 depict environmental matter and form no part of the claimed design.

1 Claim, 3 Drawing Sheets



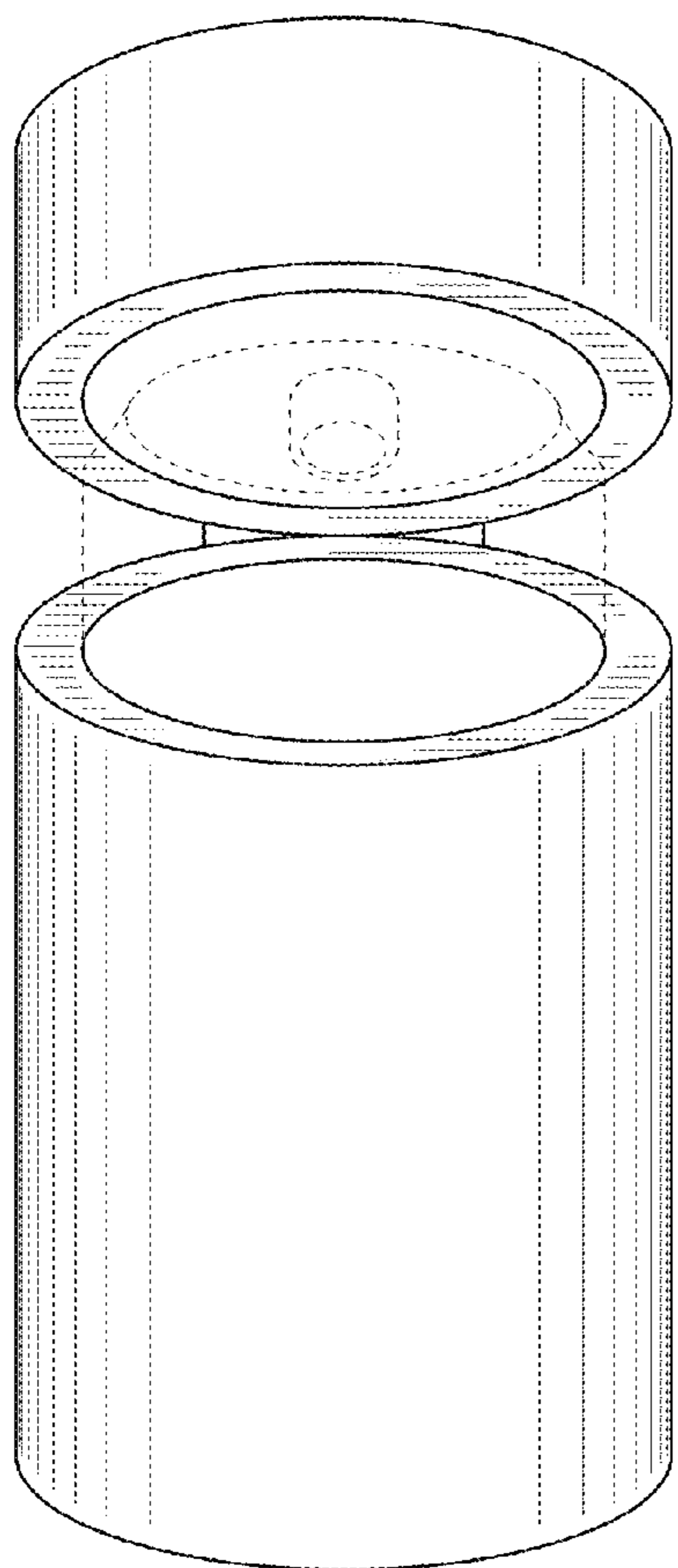


FIG. 1

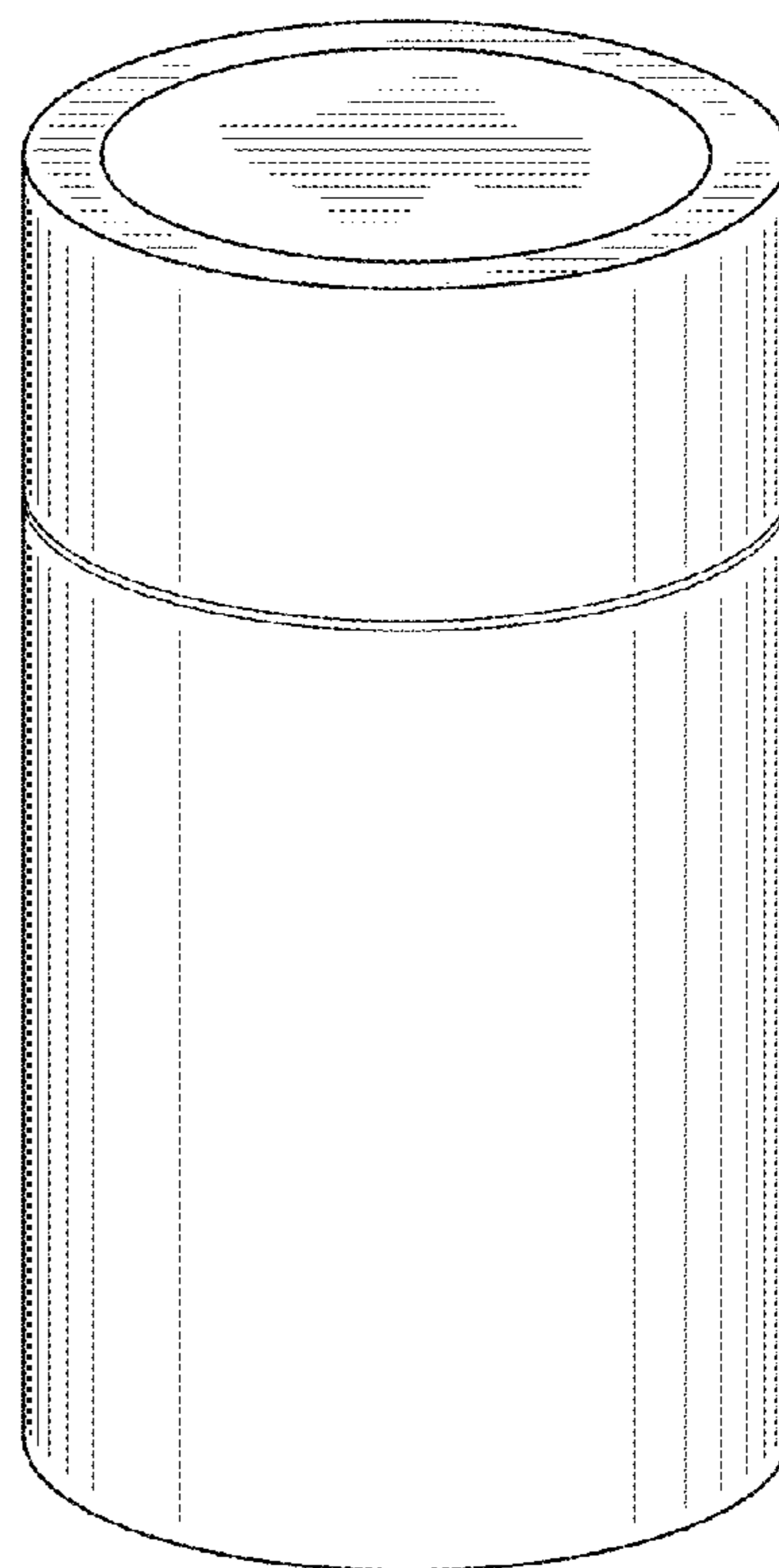


FIG. 2

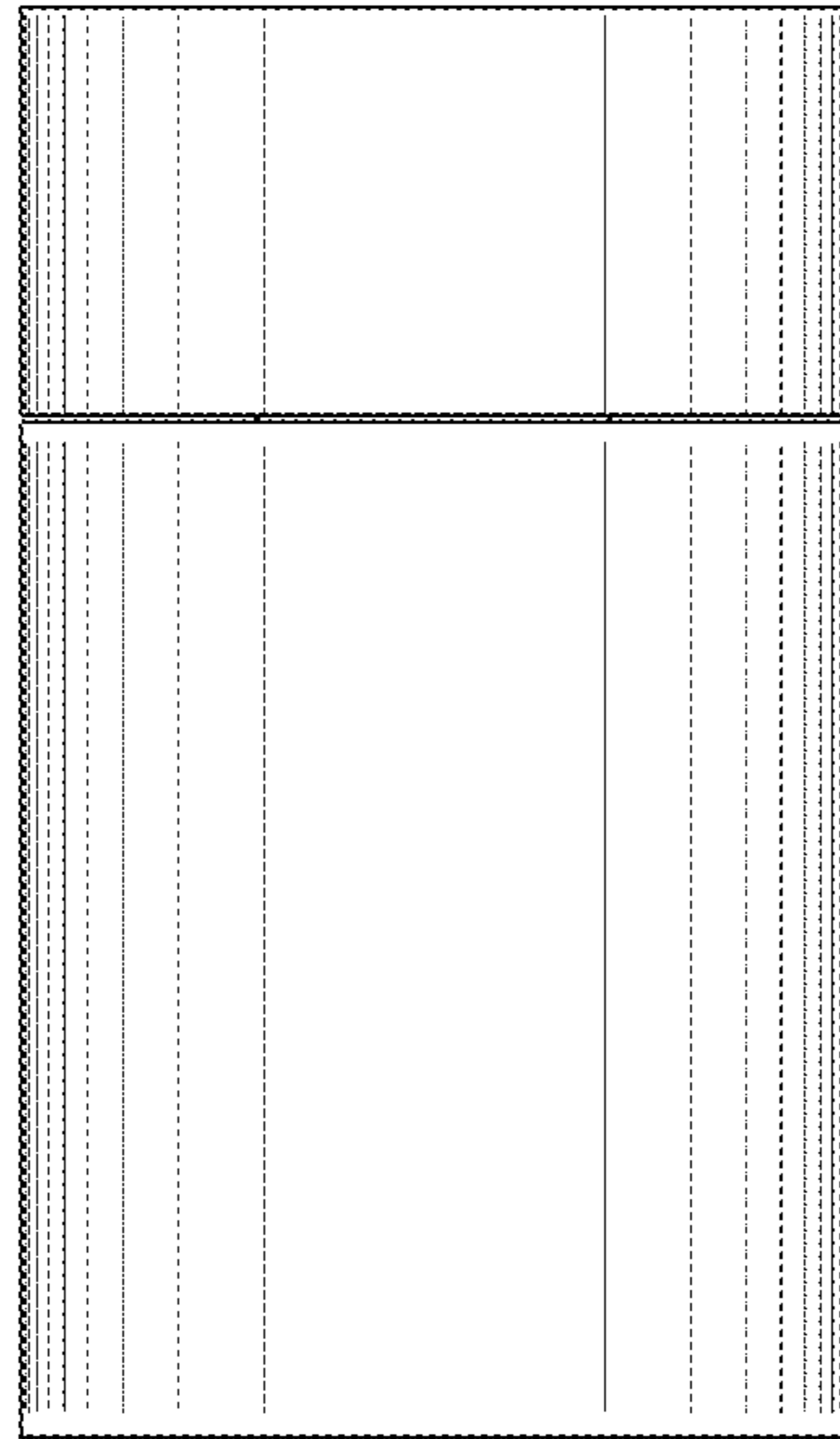


FIG. 3

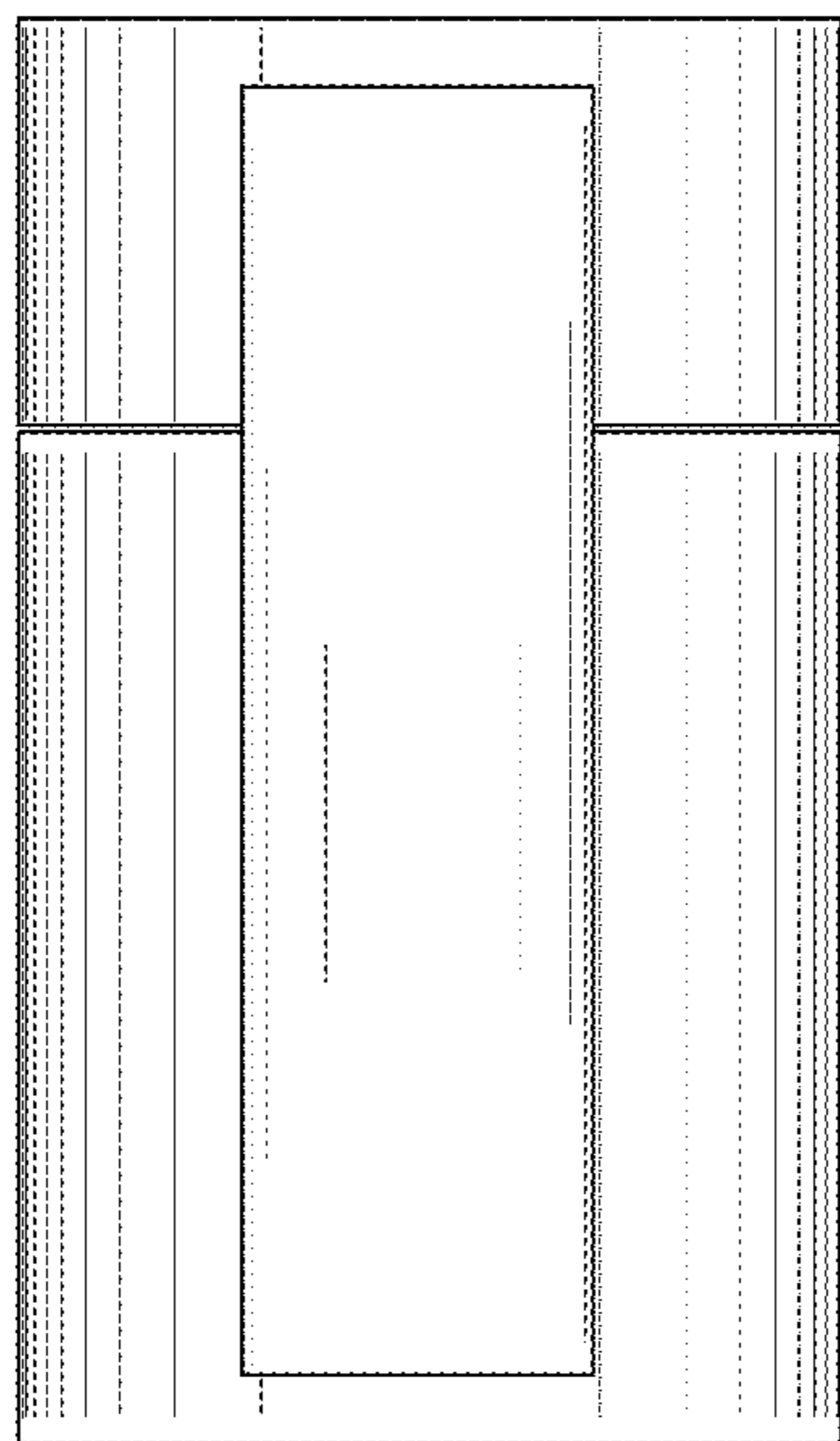


FIG. 4

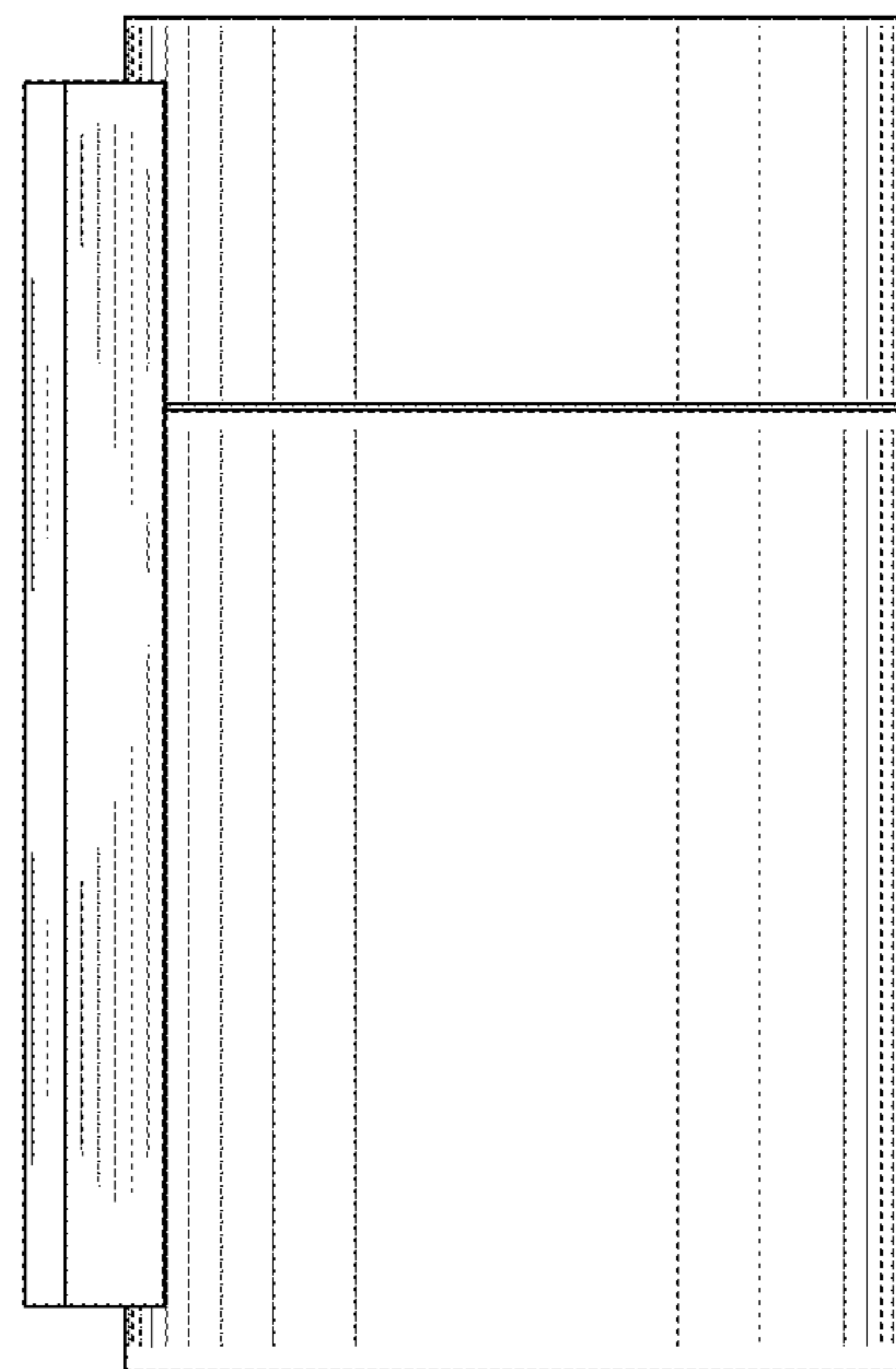


FIG. 5

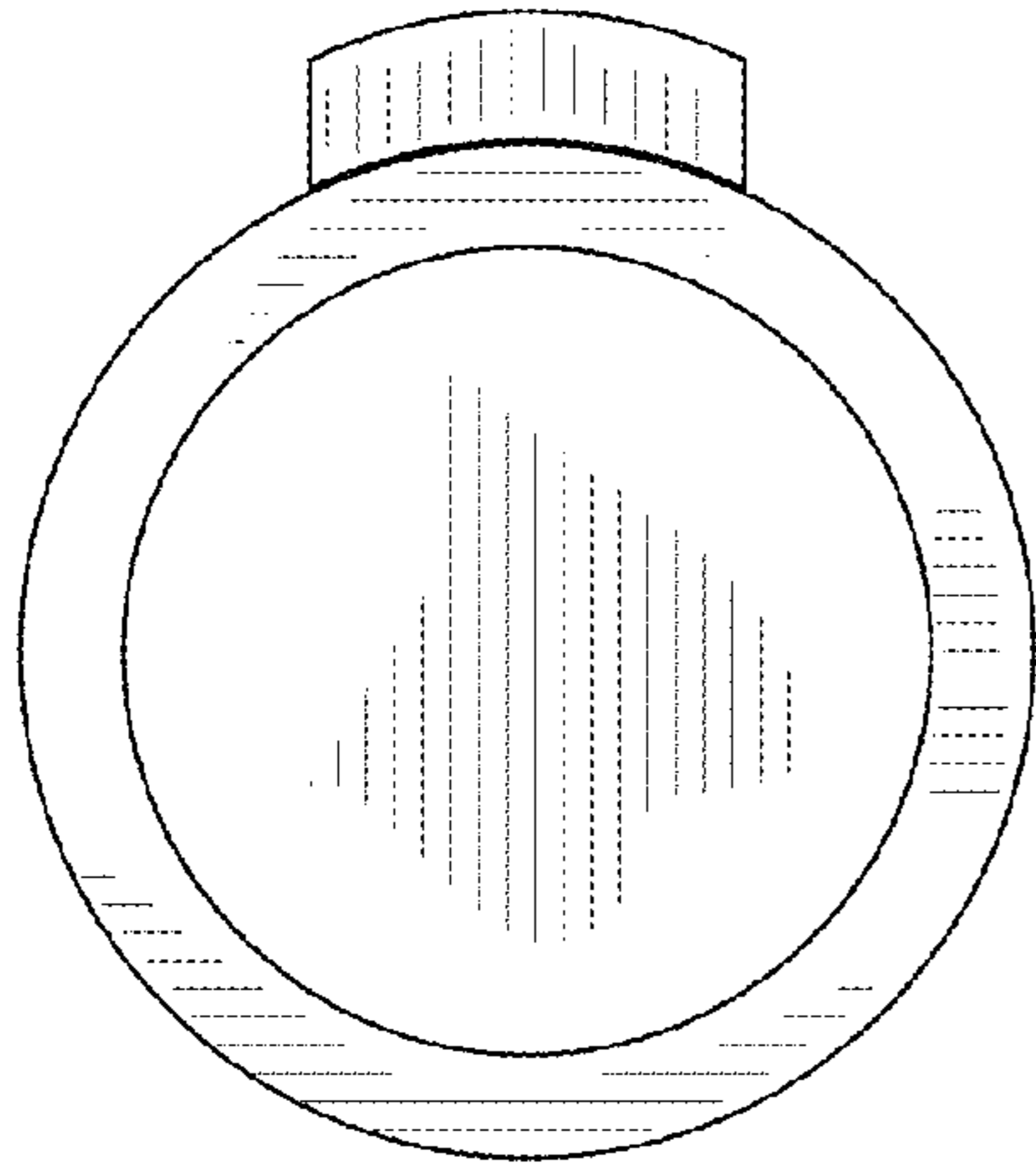


FIG. 6

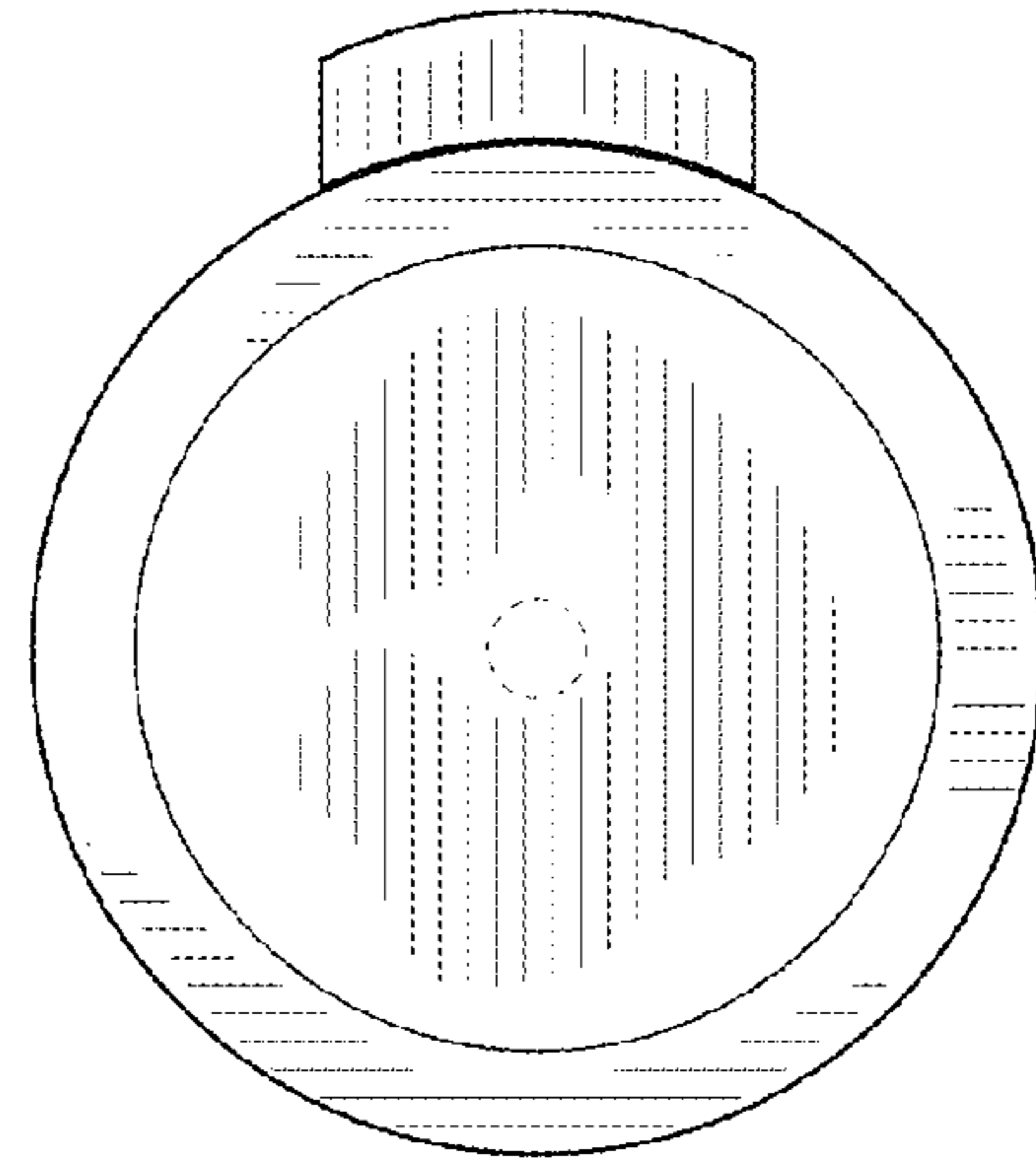


FIG. 7

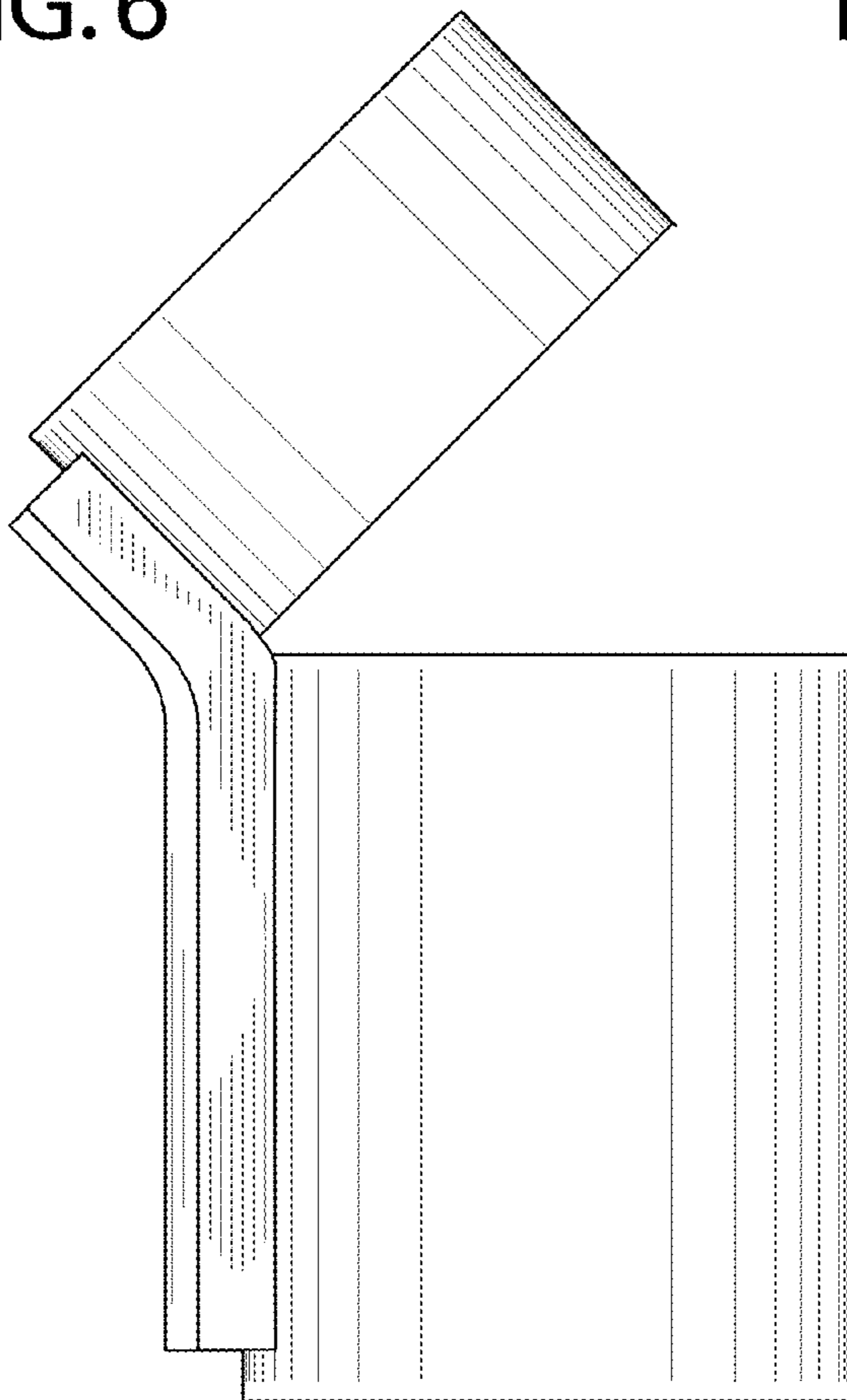


FIG. 8