



US00D675879S

(12) **United States Design Patent**
Lauzet

(10) **Patent No.:** **US D675,879 S**
(45) **Date of Patent:** **** Feb. 12, 2013**

(54) **CHAMPAGNE BUCKET**

(75) Inventor: **Maurice Lauzet**, Quingey (FR)

(73) Assignee: **PSP (Societe Par Actions Simplifree)**,
Quingey (FR)

(**) Term: **14 Years**

(21) Appl. No.: **29/419,953**

(22) Filed: **May 3, 2012**

(51) **LOC (9) Cl.** **07-01**

(52) **U.S. Cl.** **D7/603**

(58) **Field of Classification Search** D7/601-605,
D7/629, 612-615; 62/457.1-457.9, 371,
62/372; 220/660, 669-673, 675, 574-575,
220/592.09, 592.01, 592.12, 592.17, 592.19

See application file for complete search history.

(56) **References Cited**

U.S. PATENT DOCUMENTS

6,976,371 B2 * 12/2005 Gleason et al. 62/457.9
7,124,603 B2 * 10/2006 Bianco 62/457.3
D608,156 S * 1/2010 Bodum D7/603
D621,223 S * 8/2010 Bas D7/603

* cited by examiner

Primary Examiner — Terry Wallace

(74) *Attorney, Agent, or Firm* — Egbert Law Offices, PLLC

(57) **CLAIM**

The ornamental design for a champagne bucket, as shown and described.

DESCRIPTION

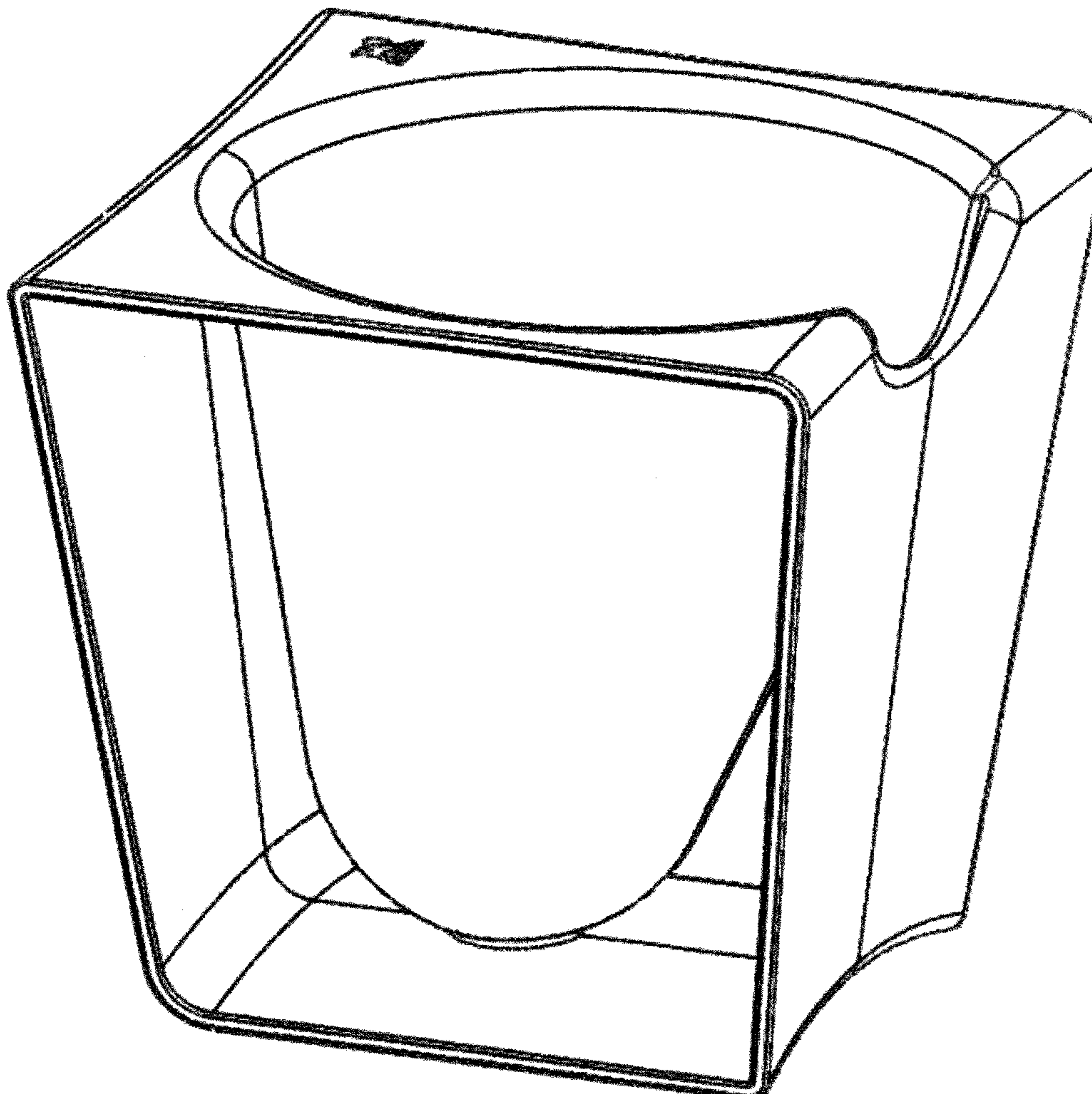
FIG. 1 is an upper perspective view of the champagne bucket showing my design.

FIG. 2 is a side elevation view thereof, an opposite side view being identical;

FIG. 3 is front elevation view thereof; and,

FIG. 4 is a top plan view thereof.

1 Claim, 4 Drawing Sheets



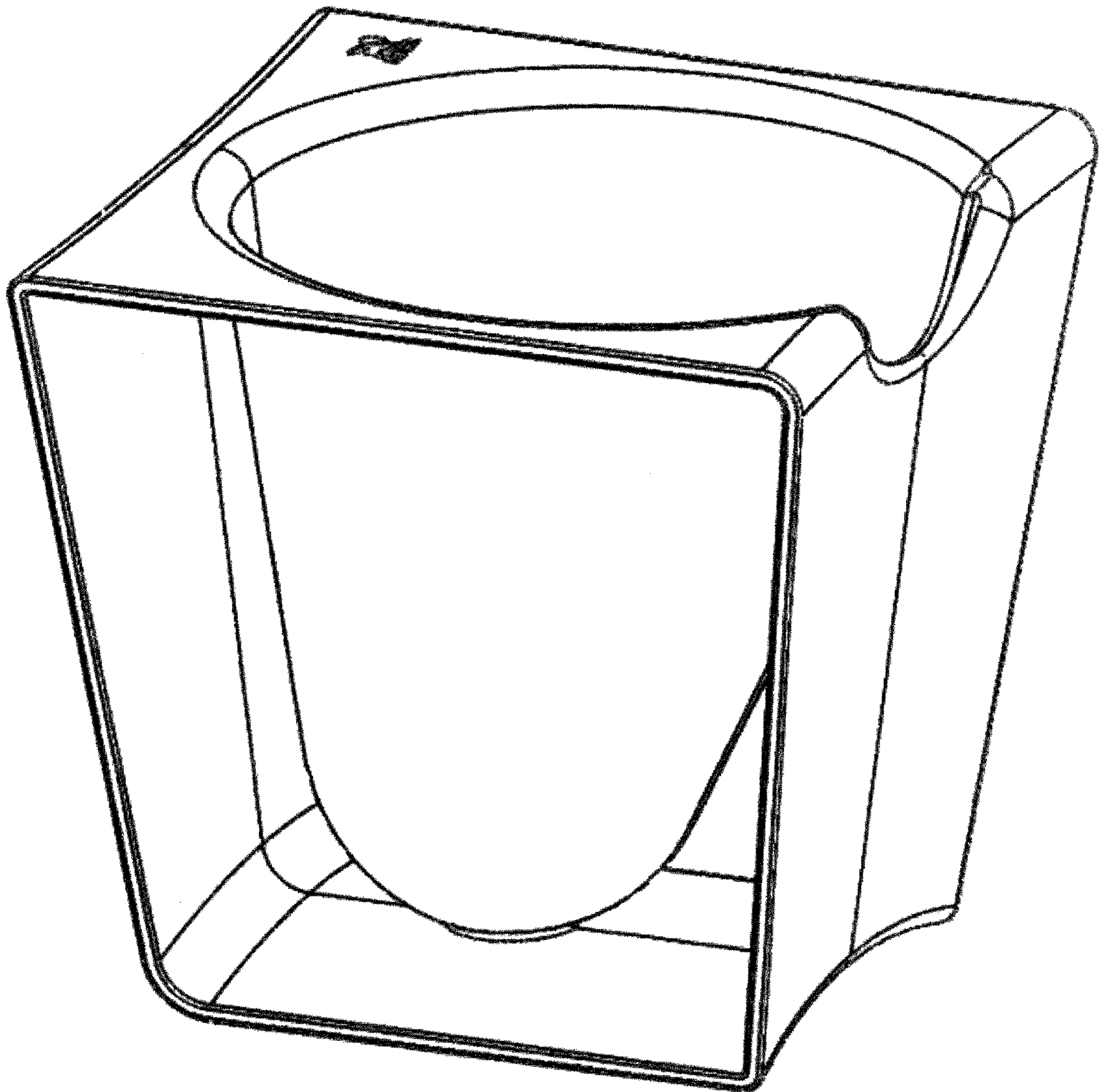


FIGURE 1

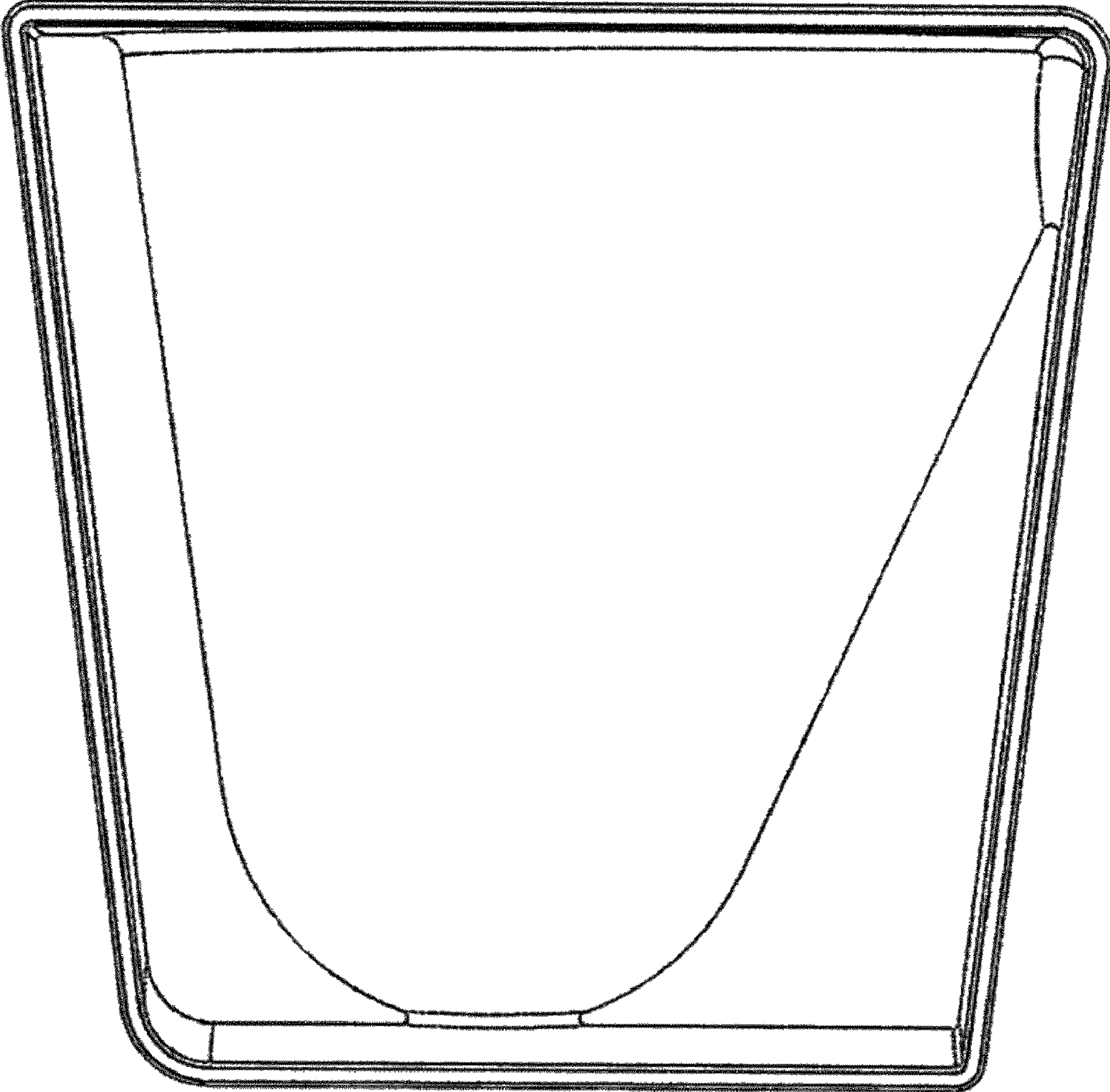


FIGURE 2

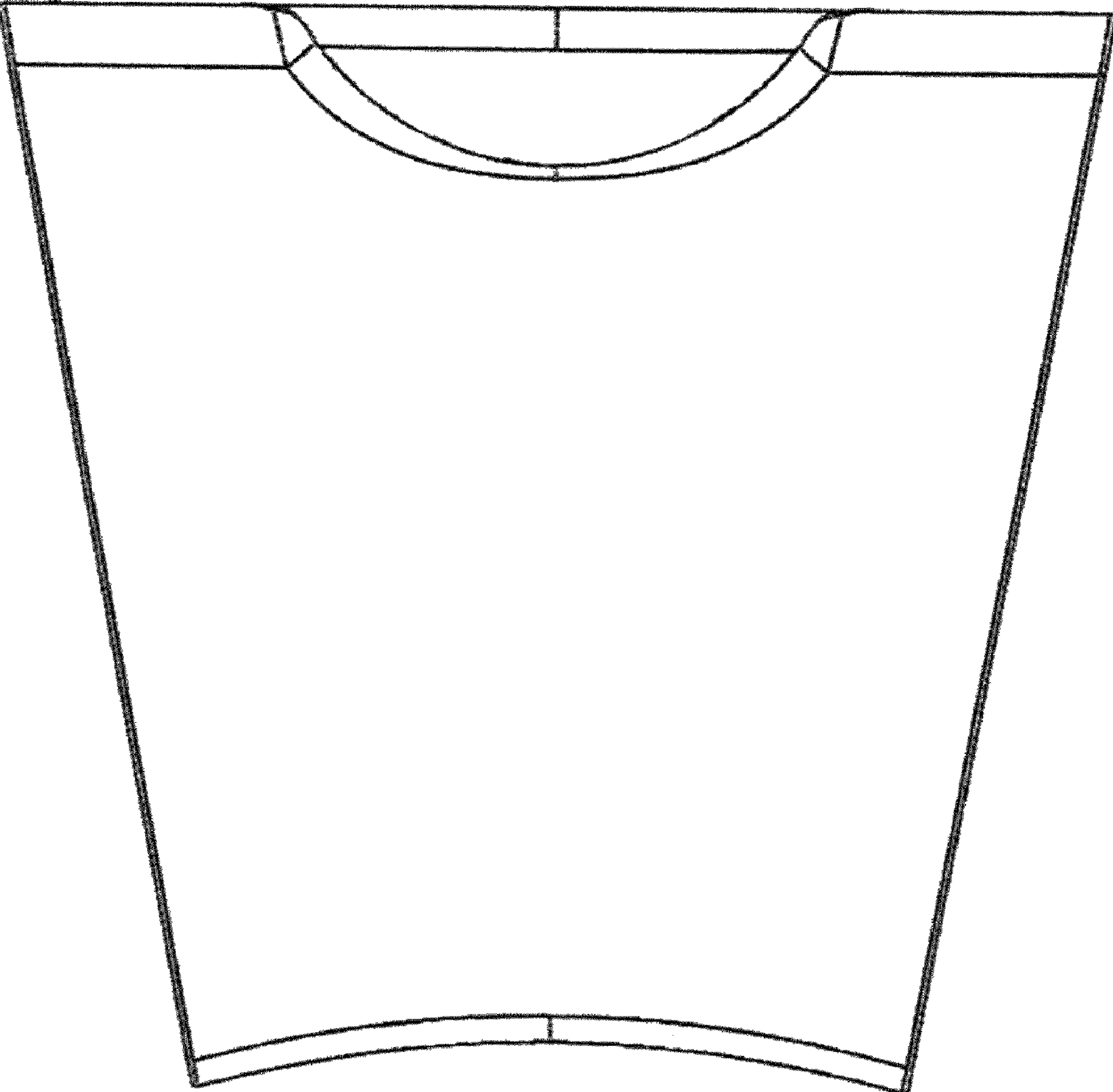


FIGURE 3

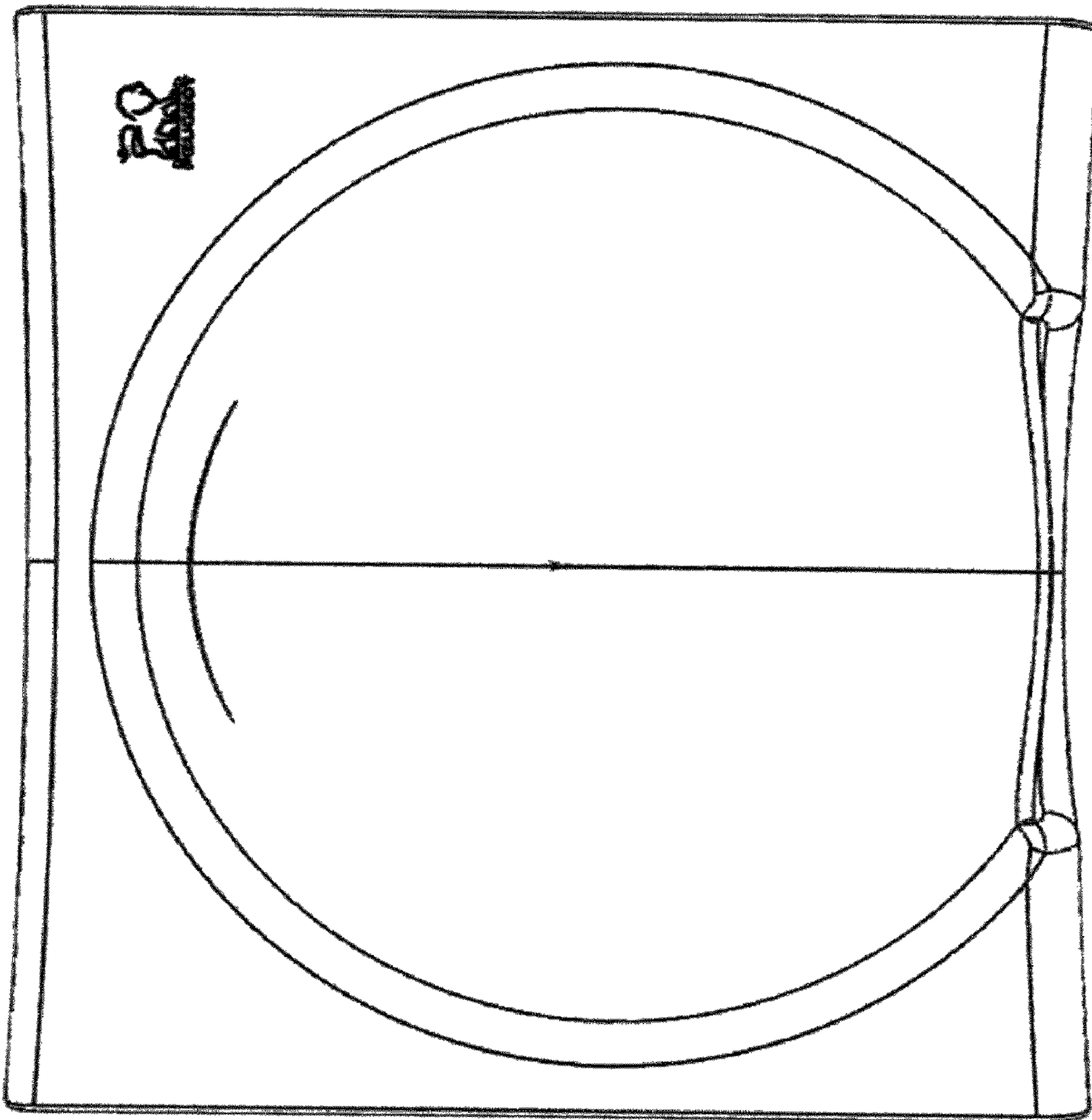


FIGURE 4