



US00D675876S

(12) **United States Design Patent**
Penttinen

(10) **Patent No.:** **US D675,876 S**

(45) **Date of Patent:** **** Feb. 12, 2013**

(54) **WINE GLASS**

(75) Inventor: **Anu Penttinen**, Helsinki (FI)

(73) Assignee: **Marimekko OYJ**, Helsinki (FI)

(**) Term: **14 Years**

(21) Appl. No.: **29/418,598**

(22) Filed: **Apr. 18, 2012**

(51) **LOC (9) Cl.** **07-01**

(52) **U.S. Cl.** **D7/532; D7/523**

(58) **Field of Classification Search** D7/509,
D7/523, 532, 624.2; D26/22; 220/737, 703,
220/592.16, 592.17

See application file for complete search history.

(56) **References Cited**

U.S. PATENT DOCUMENTS

D39,591	S	*	9/1908	Low	D19/85
1,107,700	A	*	8/1914	Pick	215/382
D70,476	S	*	6/1926	Heisey	D7/532
D96,731	S	*	9/1935	Dougherty	D7/532
2,028,566	A	*	1/1936	Seipel et al.	294/31.2
D107,991	S	*	1/1938	Hansen	D7/532
D108,421	S	*	2/1938	Brill	D7/532
D120,134	S	*	4/1940	Morrison	D7/532
D160,259	S	*	9/1950	Gustkey	D7/532
D234,110	S	*	1/1975	Achenbach	D7/532
D236,936	S	*	9/1975	Achenbach	D7/615

D243,816	S	*	3/1977	Achenbach	D7/532
D244,502	S	*	5/1977	Harbaugh et al.	D7/532
D437,185	S	*	2/2001	Freed	D7/510
6,527,137	B1	*	3/2003	Kleckauskas et al.	220/705
D479,669	S	*	9/2003	Norris et al.	D7/532
D547,123	S	*	7/2007	Sandberg	D7/532
D555,430	S	*	11/2007	Tien	D7/532
D572,084	S	*	7/2008	Blake	D7/513
D607,278	S	*	1/2010	Luchak	D7/536
D626,787	S	*	11/2010	Holscher	D7/532
D634,163	S	*	3/2011	Holscher	D7/532
D648,181	S	*	11/2011	Kraemer	D7/532
D648,984	S	*	11/2011	Gullickson et al.	D7/510
D651,046	S	*	12/2011	Myers	D7/523
D654,319	S	*	2/2012	Myers	D7/523
D662,767	S	*	7/2012	Hotell et al.	D7/396.2

* cited by examiner

Primary Examiner — Marianne Pandozzi

(74) *Attorney, Agent, or Firm* — Antonio Papageorgiou
Ostrow Kaufman LLP

(57) **CLAIM**

The ornamental design for a wine glass, as shown.

DESCRIPTION

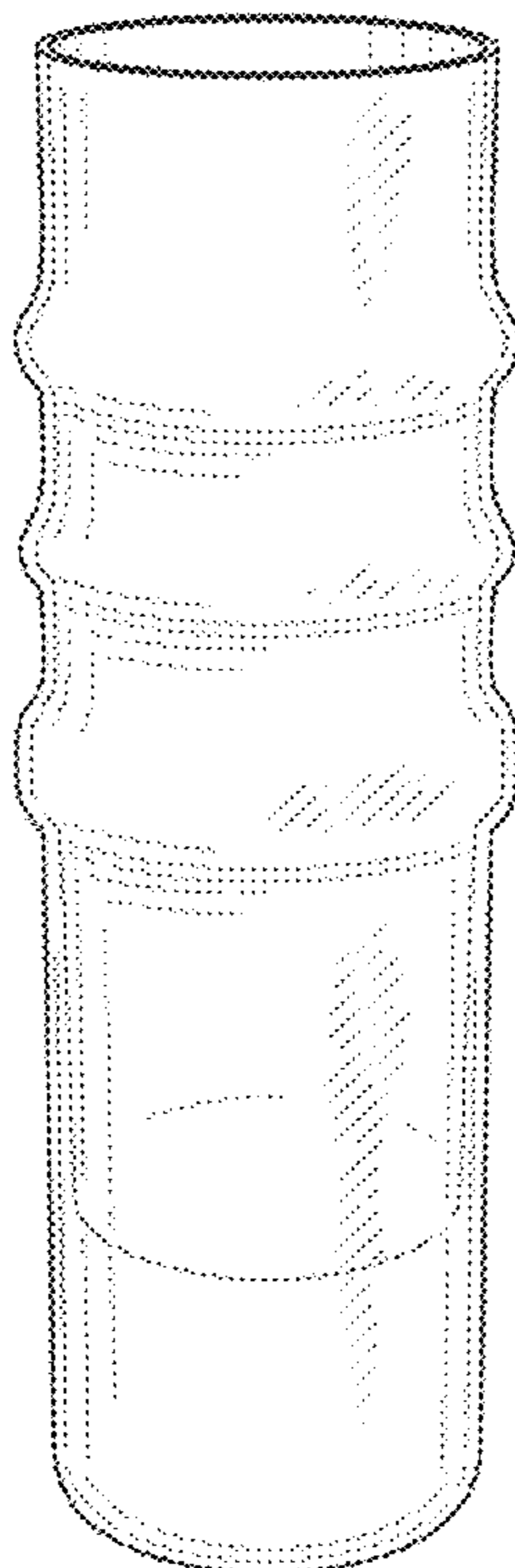
FIG. 1 is a front perspective view of a wine glass showing my new design;

FIG. 2 is a side view thereof;

FIG. 3 is a top plan view thereof; and,

FIG. 4 is a bottom plan view thereof.

1 Claim, 3 Drawing Sheets



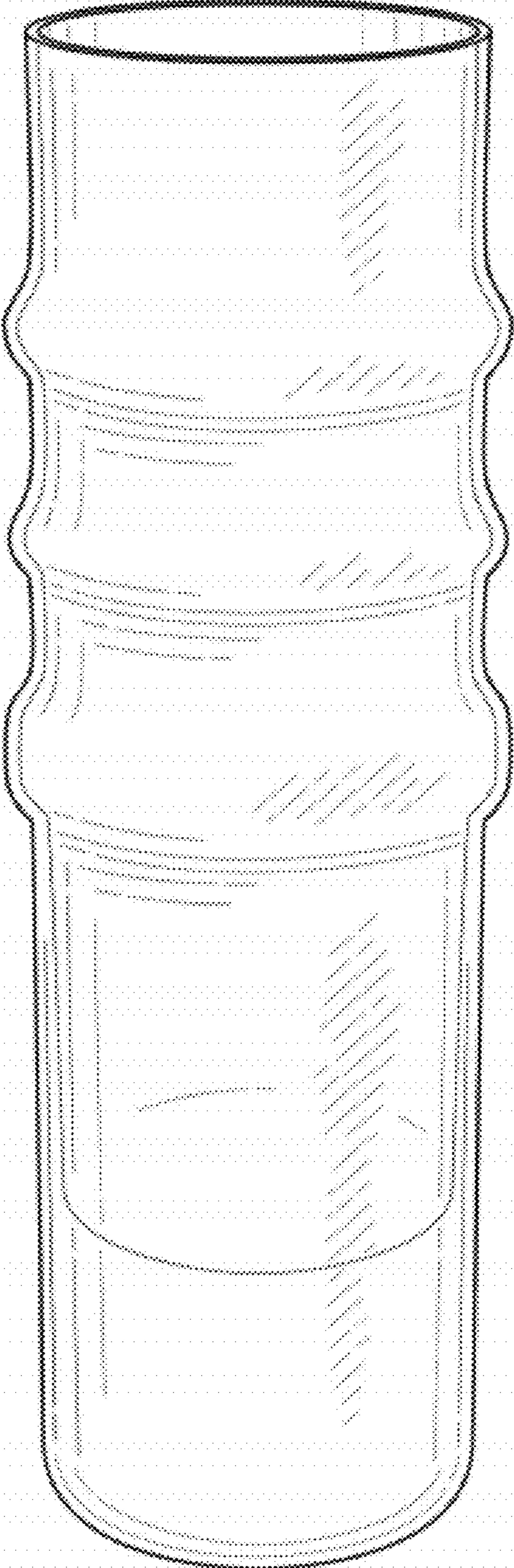


Fig. 1

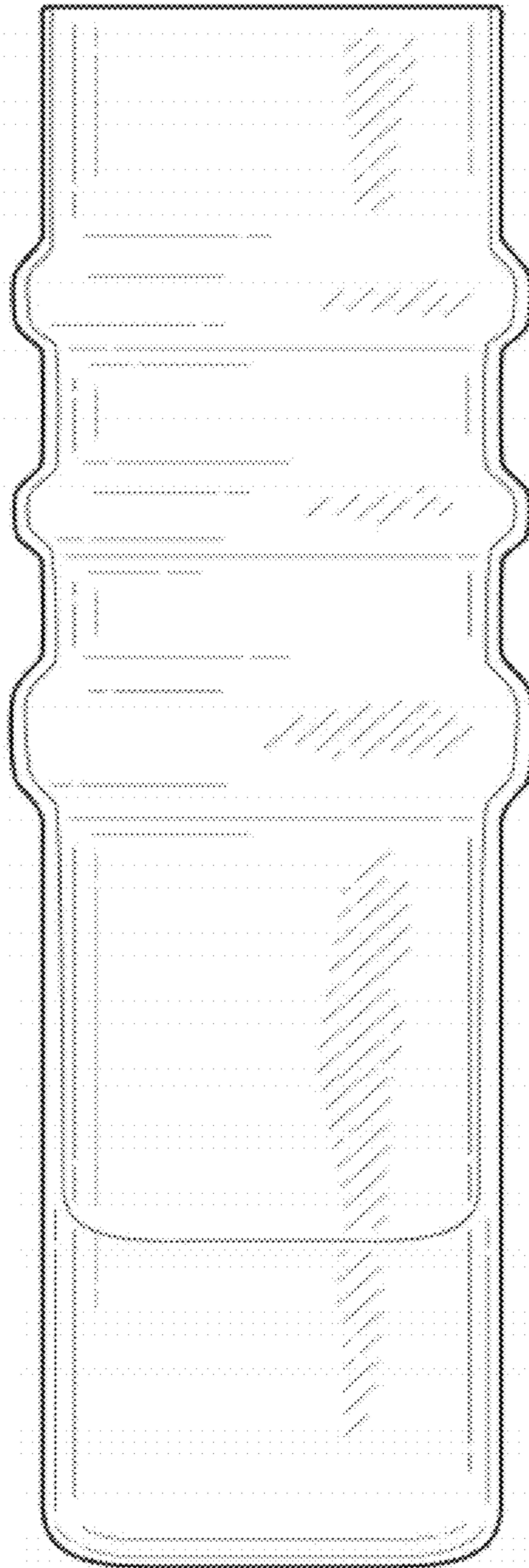


Fig. 2

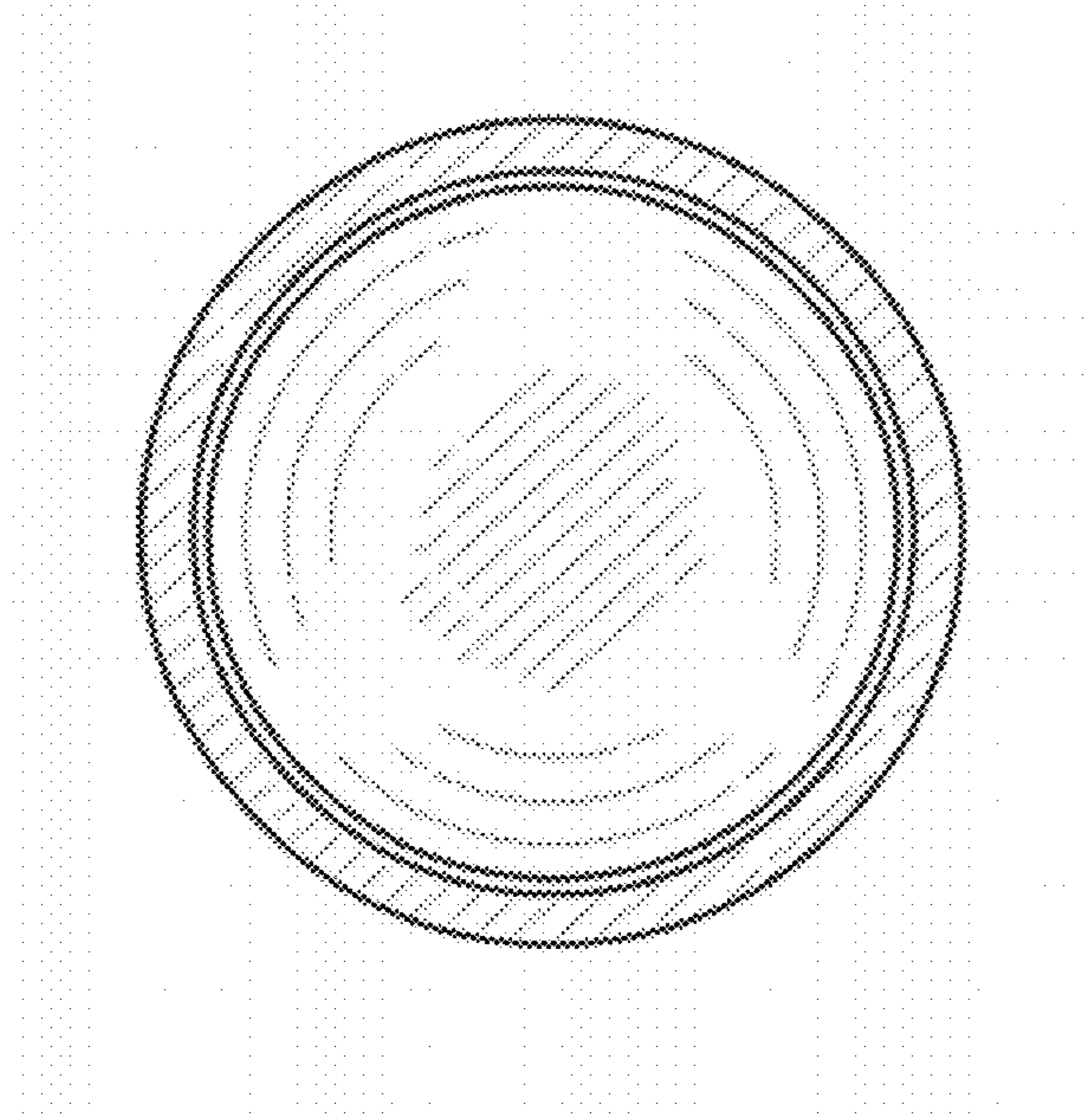


Fig. 3

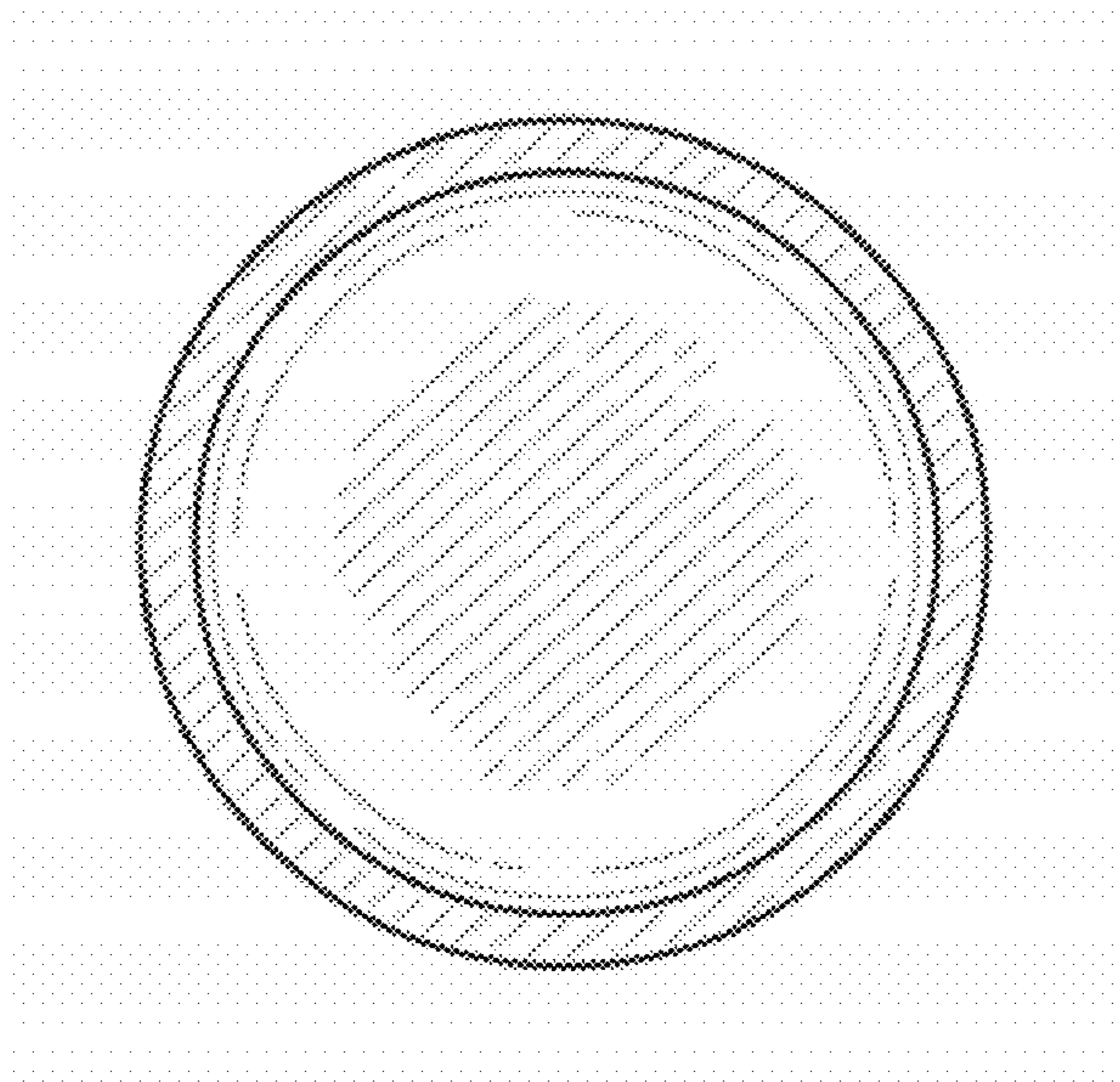


Fig. 4