



US00D675875S

(12) **United States Design Patent**
Miller

(10) **Patent No.:** **US D675,875 S**

(45) **Date of Patent:** **** Feb. 12, 2013**

(54) **SHOT GLASS WITH REMOVABLE
CONDIMENT CONTAINER**

(75) Inventor: **David Todd Miller**, Keller, TX (US)

(73) Assignee: **Innovative Barware LLC**, Keller, TX
(US)

(**) Term: **14 Years**

(21) Appl. No.: **29/406,225**

(22) Filed: **Nov. 10, 2011**

Related U.S. Application Data

(63) Continuation-in-part of application No. 13/168,860,
filed on Jun. 24, 2011.

(51) **LOC (9) Cl.** **07-01**

(52) **U.S. Cl.** **D7/523**

(58) **Field of Classification Search** D7/536,
D7/533, 300, 510, 523, 507, 511, 509, 300.1,
D7/528, 526, 525, 530, 531, 532, 300.2;
220/737, 718, 642, 758, 769, 574, 912, 592.17,
220/592.16, 495.03; 206/216; D19/70; 426/88
See application file for complete search history.

(56) **References Cited**

U.S. PATENT DOCUMENTS

2,663,866	A *	12/1953	Simpson	340/689
5,123,190	A *	6/1992	Erberber	40/324
D363,854	S *	11/1995	Katz	D7/509
D367,413	S *	2/1996	Ballin	D8/34
D376,071	S *	12/1996	Ballin	D7/523
5,930,951	A *	8/1999	Wong	47/66.1
D448,241	S *	9/2001	Morris, Jr.	D7/507
6,419,384	B1 *	7/2002	Lewis et al.	362/562
6,868,694	B2 *	3/2005	Nielsen	62/457.3
D508,594	S *	8/2005	Snell	D34/1
D580,228	S *	11/2008	Hayden	D7/513
D581,738	S *	12/2008	Bodum	D7/523
D613,624	S *	4/2010	Bodum	D10/46.2
D655,982	S *	3/2012	Liu	D7/509
2008/0011710	A1 *	1/2008	Cohn	215/329

OTHER PUBLICATIONS

SideKick Shot Glass, reviewed Jul. 12, 2011, [online], [site visited Oct. 2, 2012]. Available from Internet, <URL: http://www.sidekickshotglass.com/SideKick_Shot_Glass_p/sksg0006.htm>.*
SideKick Shot Glass—The World’s Coolest, Smoking, Infusion Shot Glass, uploaded Sep. 15, 2011, [online], [site visited Oct. 2, 2012]. Available from Internet, <URL: http://www.youtube.com/watch?v=-soF_0Px2NY>.*

Todd Miller, Inventor of SideKick Shot Glass, LinkedIn, [site visited Oct. 2, 2012], Available from Internet, <URL: www.linkedin.com/pub/todd-miller/31/95a/614>.*

* cited by examiner

Primary Examiner — Robert M Spear

Assistant Examiner — Janice Hallmark

(74) *Attorney, Agent, or Firm* — Mark W Handley

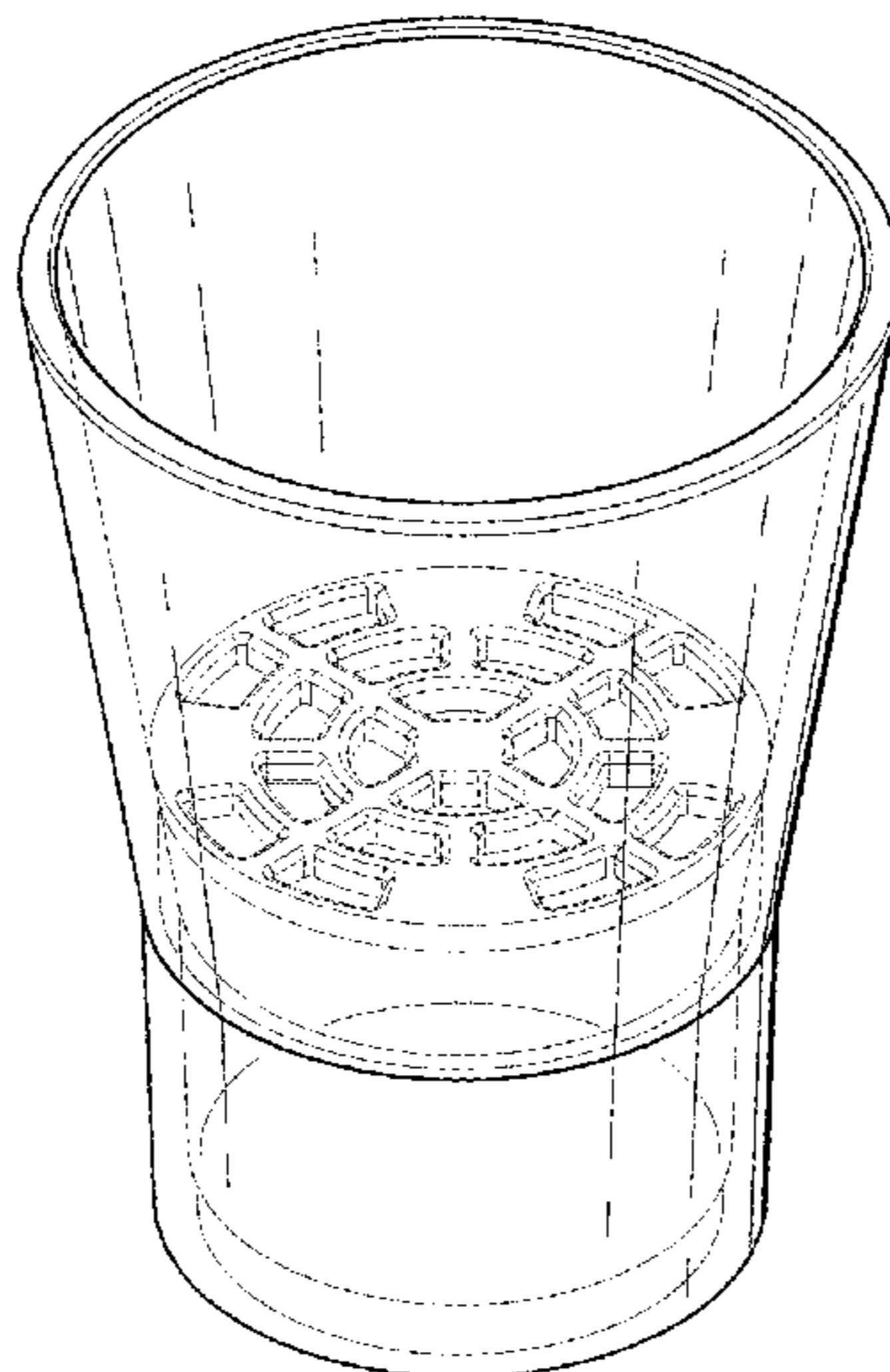
(57) **CLAIM**

The ornamental design for a shot glass with removable condiment container, as shown and described.

DESCRIPTION

FIG. 1 is a perspective view of a shot glass with removable condiment container embodying my design;
FIG. 2 is a right side view of the shot glass with removable condiment container;
FIG. 3 is a left side view of the shot glass with removable condiment container;
FIG. 4 is a front view of the shot glass with removable condiment container;
FIG. 5 is a rear view of the shot glass with removable condiment container;
FIG. 6 is a top view of the shot glass with removable condiment container; and,
FIG. 7 is a bottom view of the shot glass with removable condiment container.

1 Claim, 4 Drawing Sheets



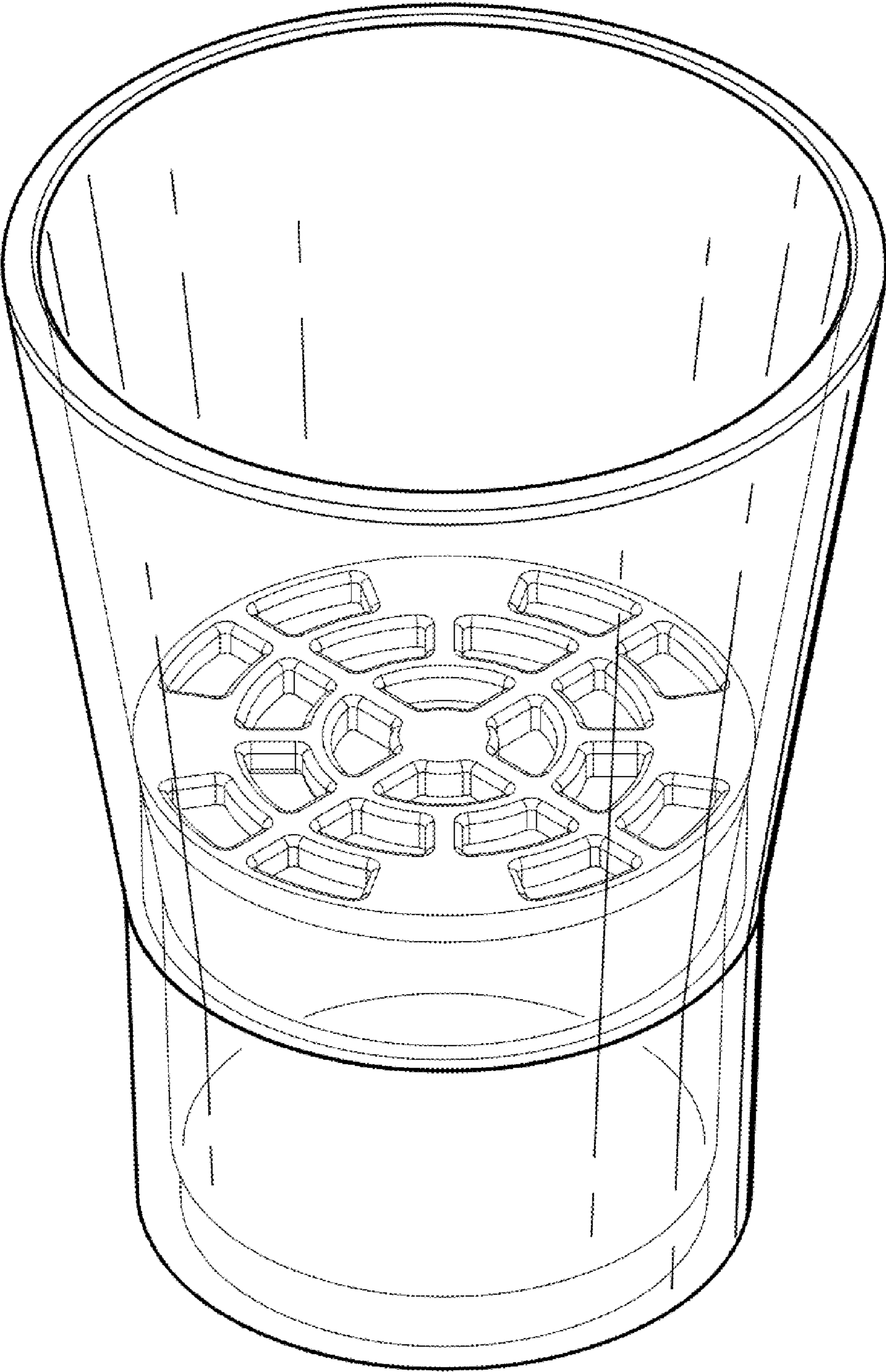


FIG. 1

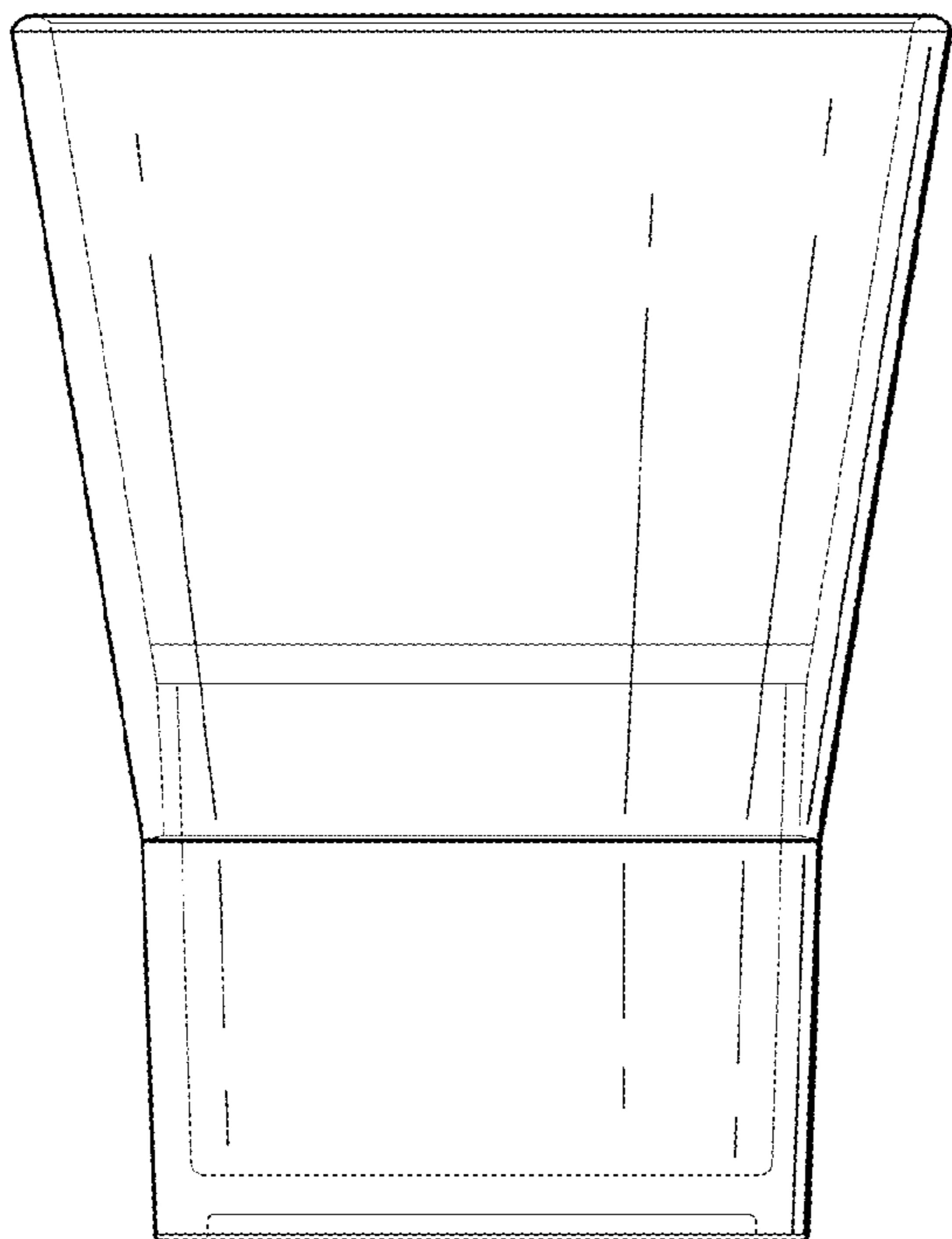


FIG. 2

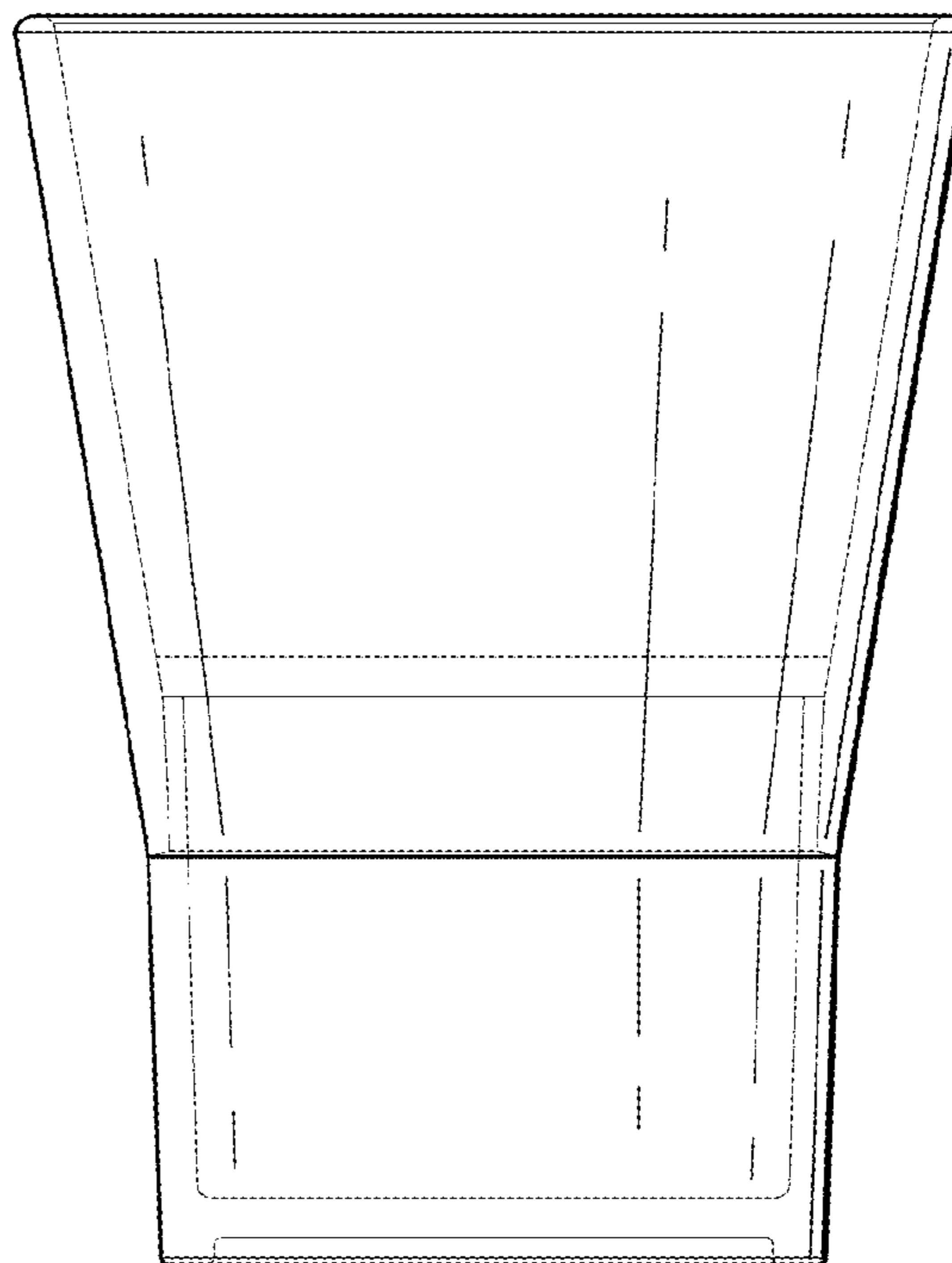


FIG. 3

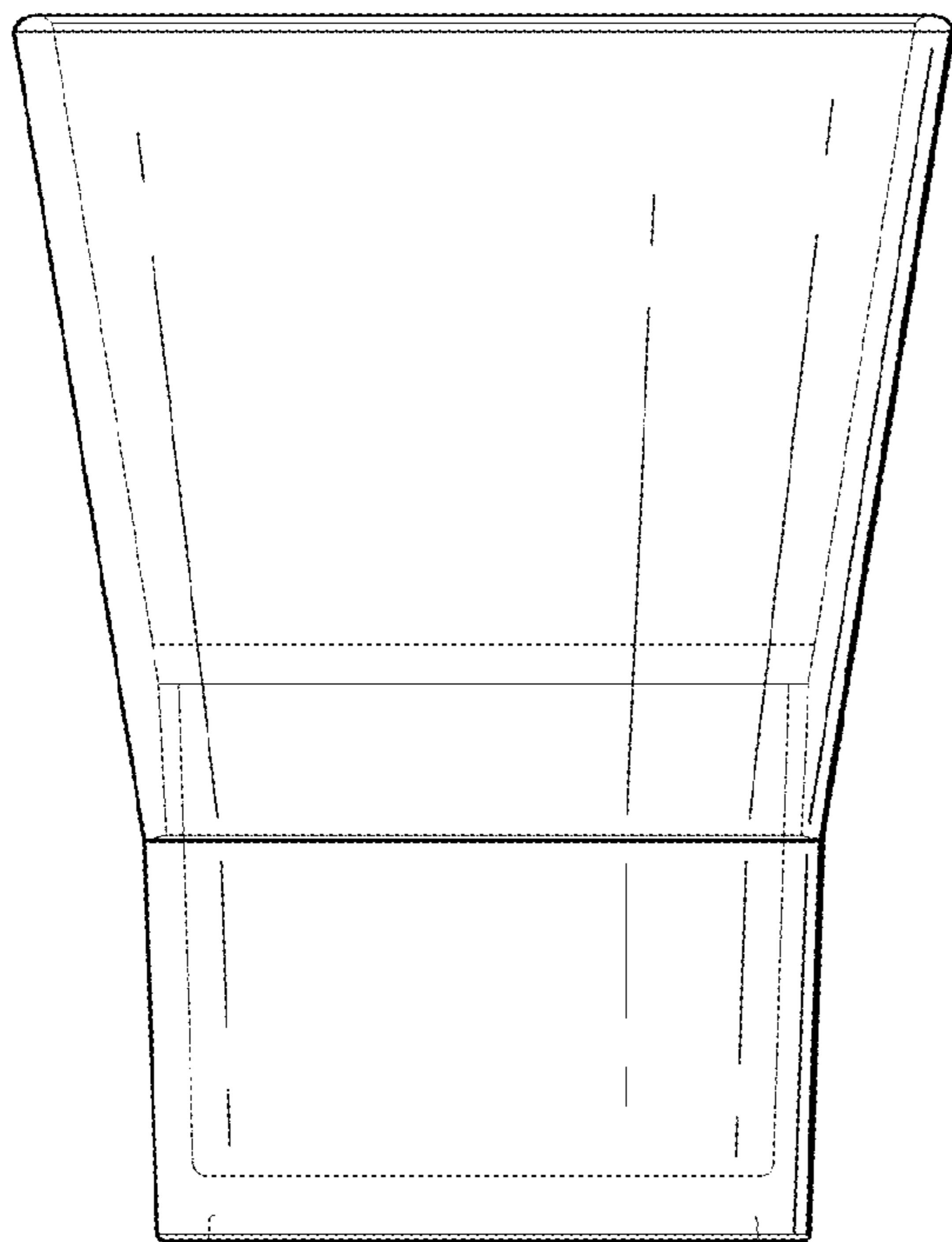


FIG. 4

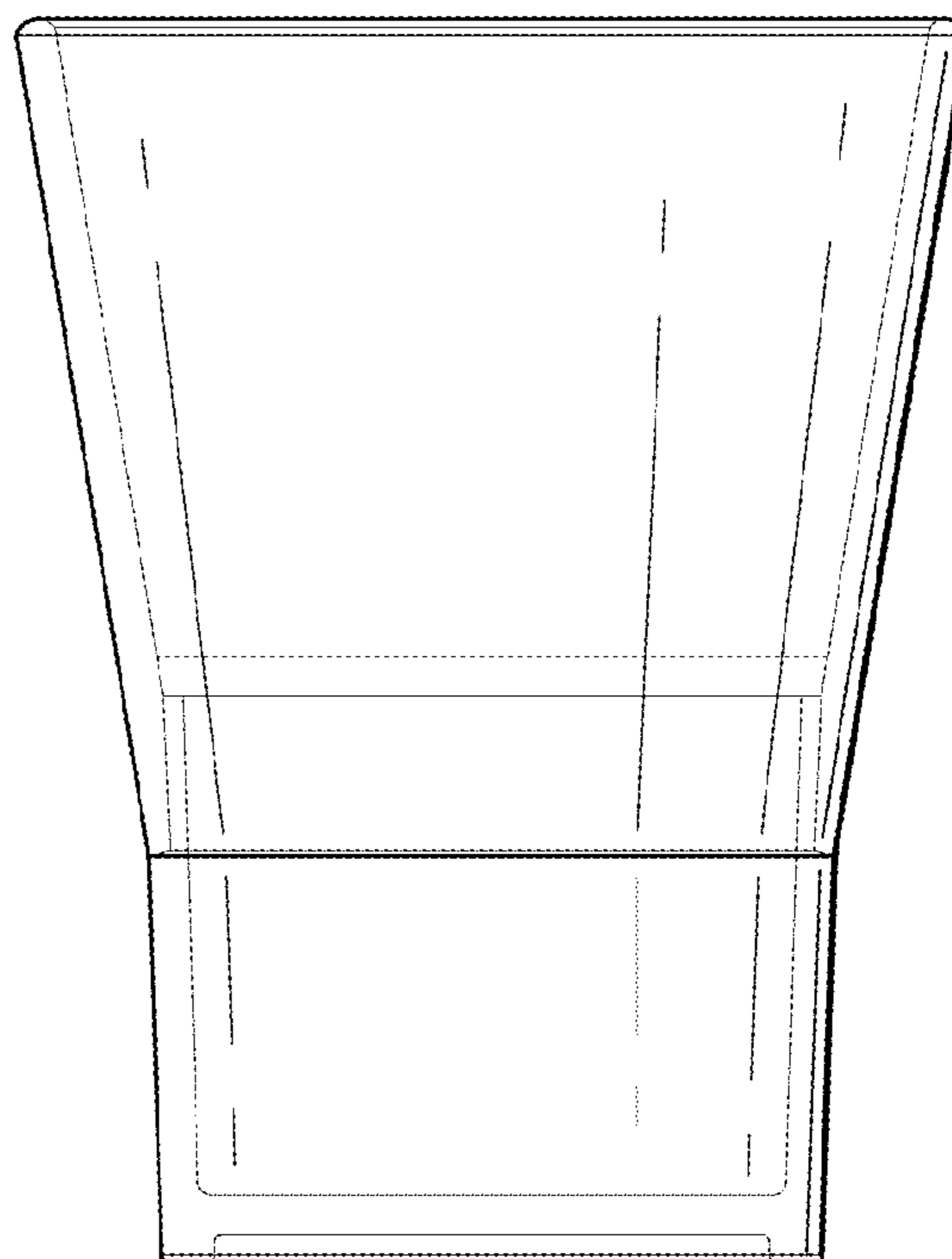


FIG. 5

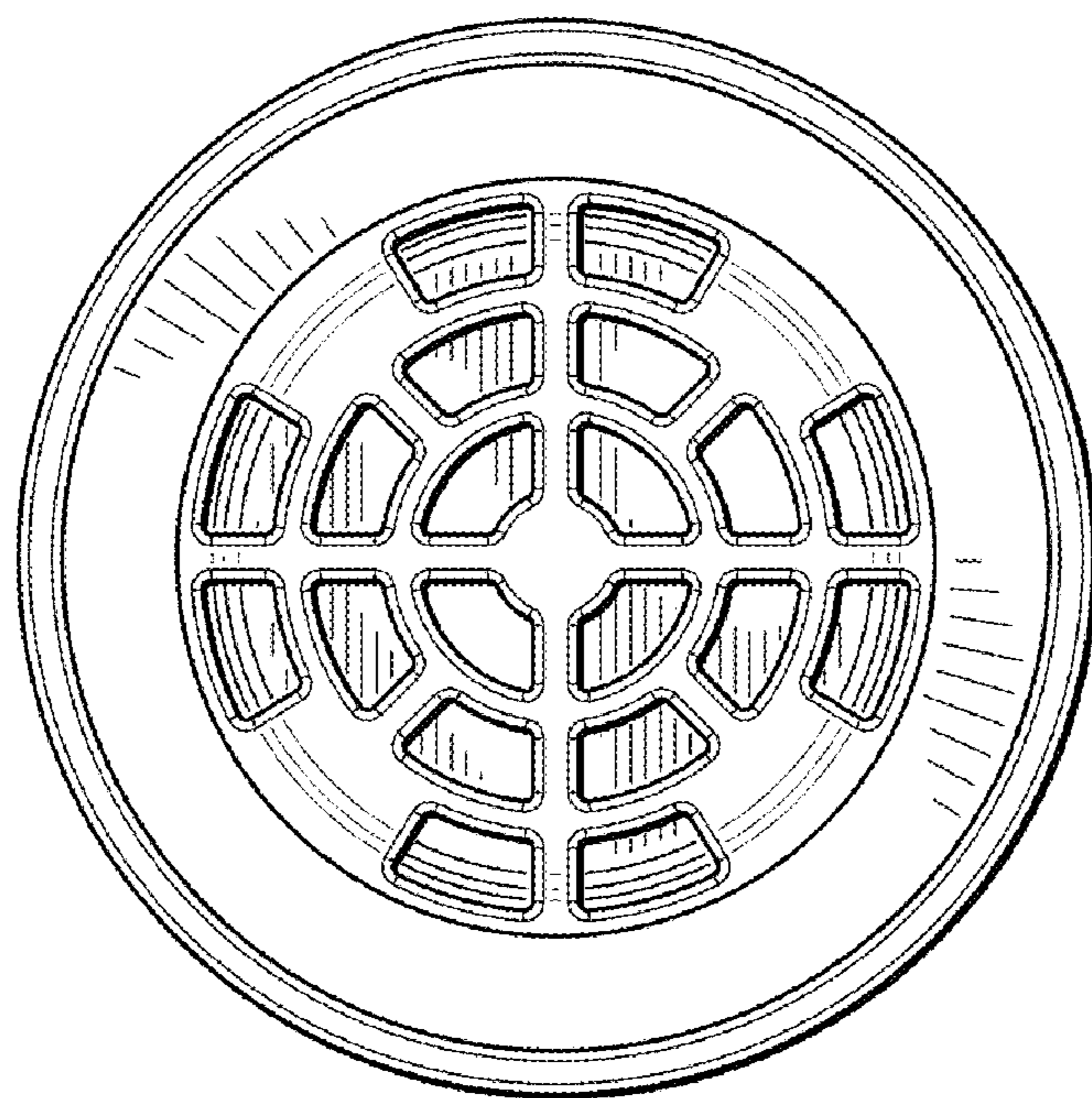


FIG. 6

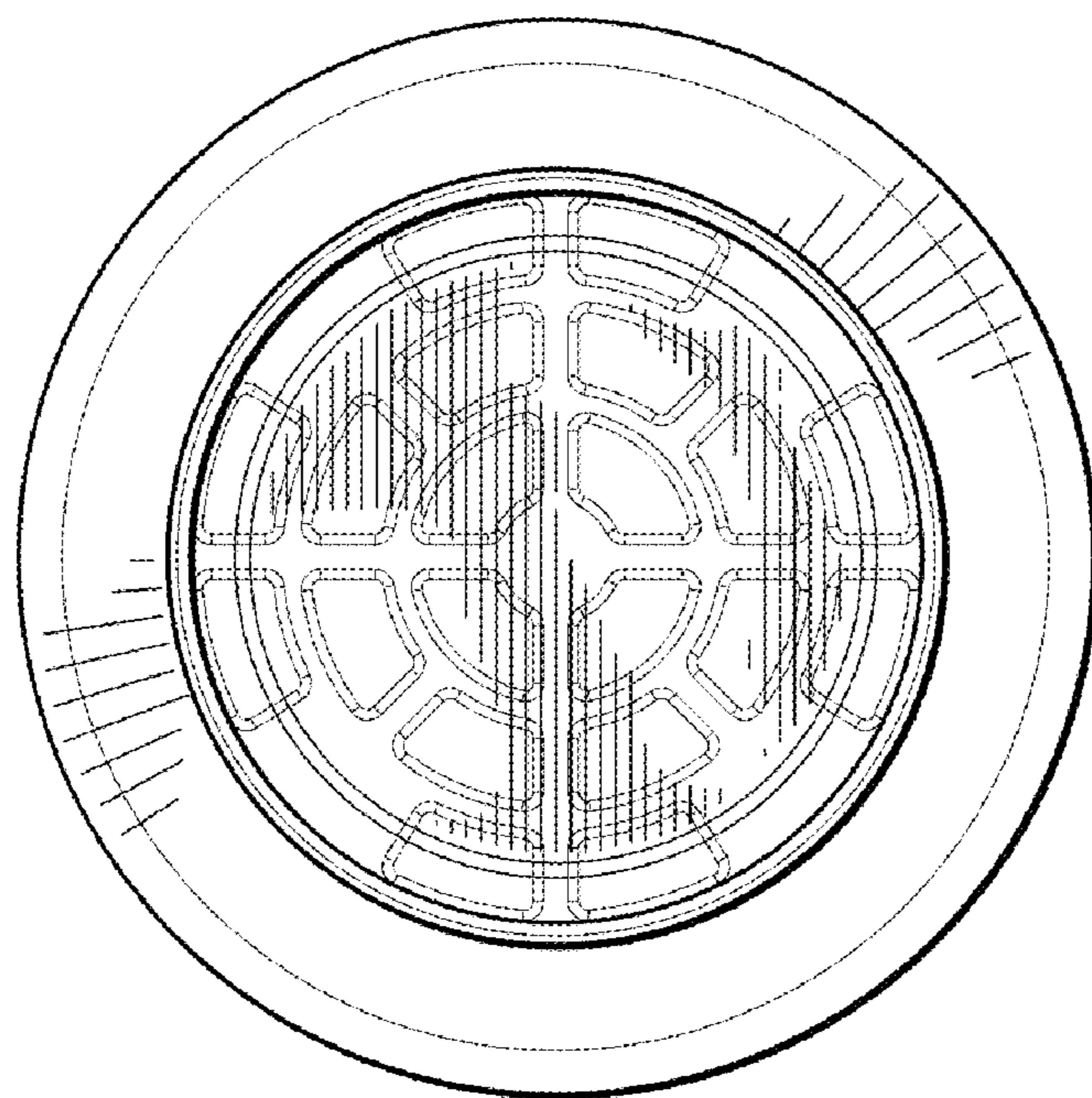


FIG. 7