

US00D675874S

(12) **United States Design Patent**  
**Citrin**

(10) **Patent No.:** **US D675,874 S**

(45) **Date of Patent:** **\*\* Feb. 12, 2013**

(54) **VESSEL**

(76) Inventor: **Andrew S. Citrin**, Las Vegas, NV (US)

(\*\*) Term: **14 Years**

(21) Appl. No.: **29/427,962**

(22) Filed: **Jul. 24, 2012**

D561,532 S *	2/2008	Martin	.....	D7/515
D561,533 S *	2/2008	Martin	.....	D7/515
D572,085 S *	7/2008	Martin	.....	D7/520
D575,107 S *	8/2008	Martin	.....	D7/515
D575,584 S *	8/2008	Martin	.....	D7/515
D575,585 S *	8/2008	Geens	.....	D7/553.2
D588,410 S *	3/2009	Kleckauskas et al.	.....	D7/507
D654,320 S *	2/2012	McClellan et al.	.....	D7/525
D667,270 S *	9/2012	Citrin	.....	D7/514

\* cited by examiner

**Related U.S. Application Data**

(62) Division of application No. 29/394,404, filed on Jun. 16, 2011, now Pat. No. Des. 667,270.

(51) **LOC (9) Cl.** ..... **07-01**

(52) **U.S. Cl.** ..... **D7/514; D7/515; D7/509; D7/537**

(58) **Field of Classification Search** ..... **D7/514, D7/515, 509, 523, 507, 522, 524, 537; 220/703, 220/592.16, 592.17**

See application file for complete search history.

*Primary Examiner* — Marianne Pandozzi

(74) *Attorney, Agent, or Firm* — Schiff Hardin LLP

(57) **CLAIM**

The ornamental design for a vessel, as shown and described.

**DESCRIPTION**

FIG. 1 is a front elevational view of one embodiment of a vessel showing my new design;

FIG. 2 is a rear elevational view of the vessel shown in FIG. 1;

FIG. 3 is a left side elevational view of the vessel shown in FIG. 1;

FIG. 4 is a right side elevational view of the vessel shown in FIG. 1;

FIG. 5 is a bottom plan view of the vessel shown in FIG. 1; and,

FIG. 6 is a top plan view of the vessel shown in FIG. 1.

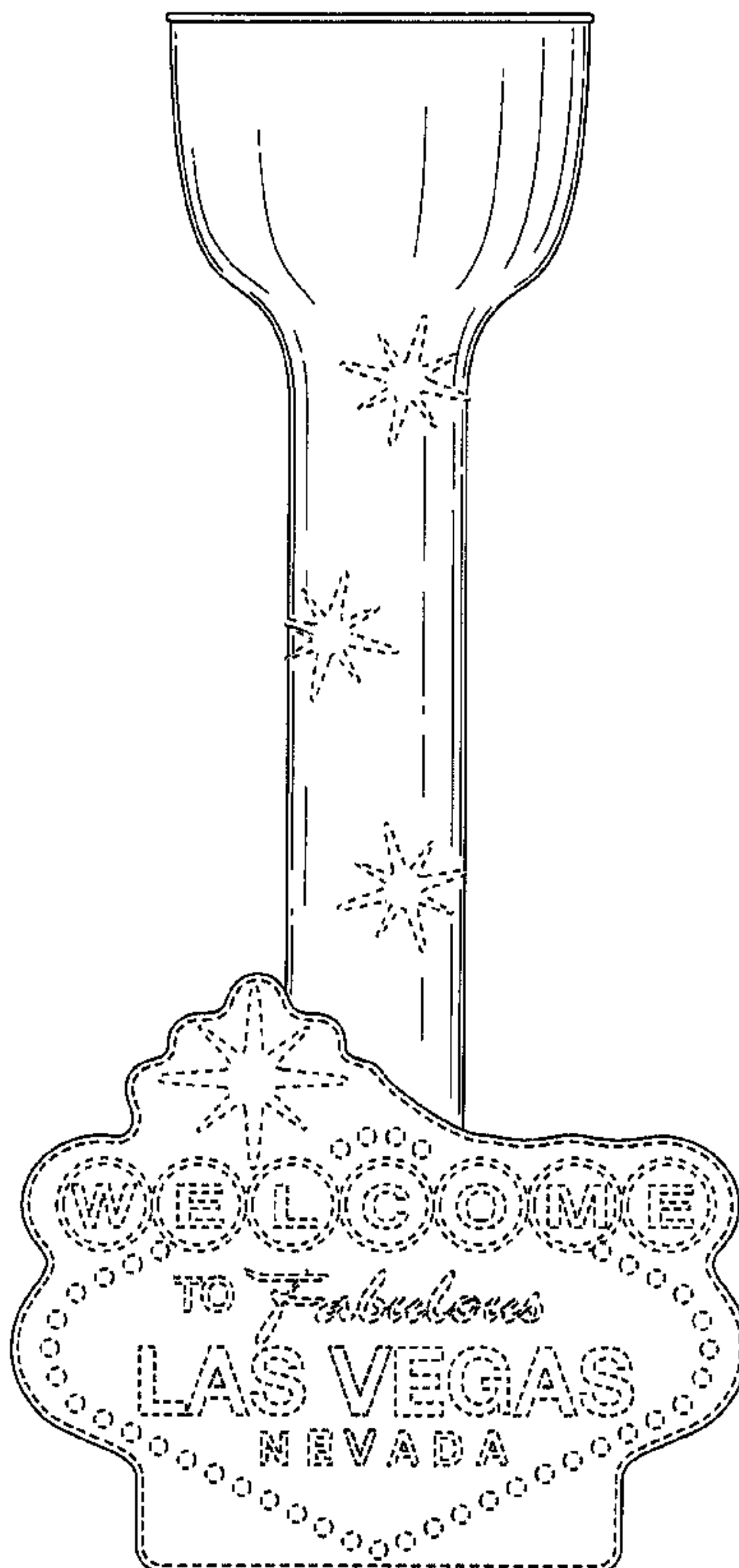
The broken lines in the drawings are included for the purpose of illustration and form no part of the claimed design.

(56) **References Cited**

**U.S. PATENT DOCUMENTS**

D172,316 S *	5/1954	Sanford	.....	D9/649
D248,004 S *	5/1978	Simpson	.....	D7/524
D281,910 S *	12/1985	Dinnebier et al.	.....	D26/11
D302,225 S *	7/1989	Shapard	.....	D7/524
D400,051 S *	10/1998	Miyagi	.....	D7/524
D435,194 S *	12/2000	Betras	.....	D7/511
D473,753 S *	4/2003	Hanson	.....	D7/510
D548,534 S *	8/2007	Sullivan	.....	D7/608

**1 Claim, 4 Drawing Sheets**



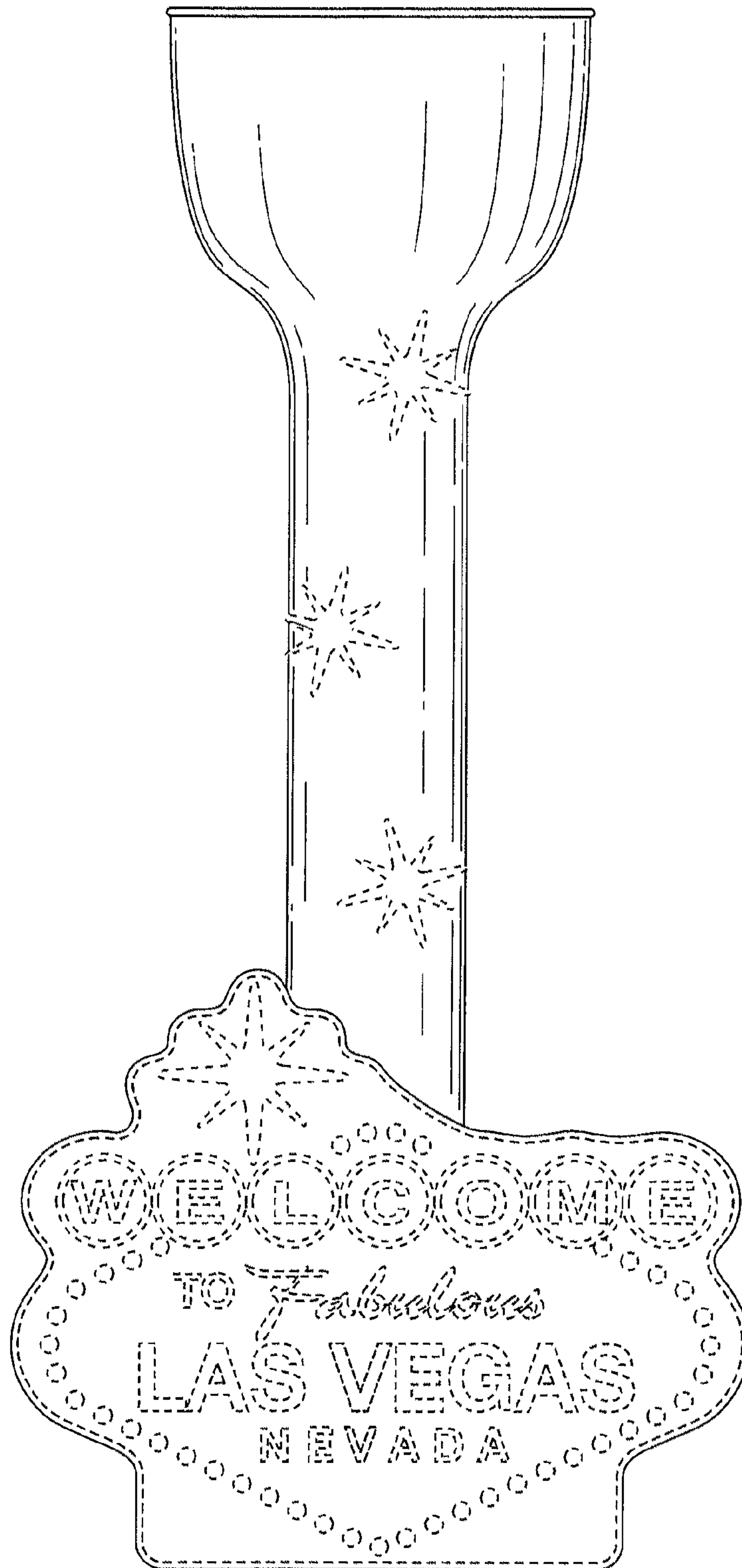


FIG. 1

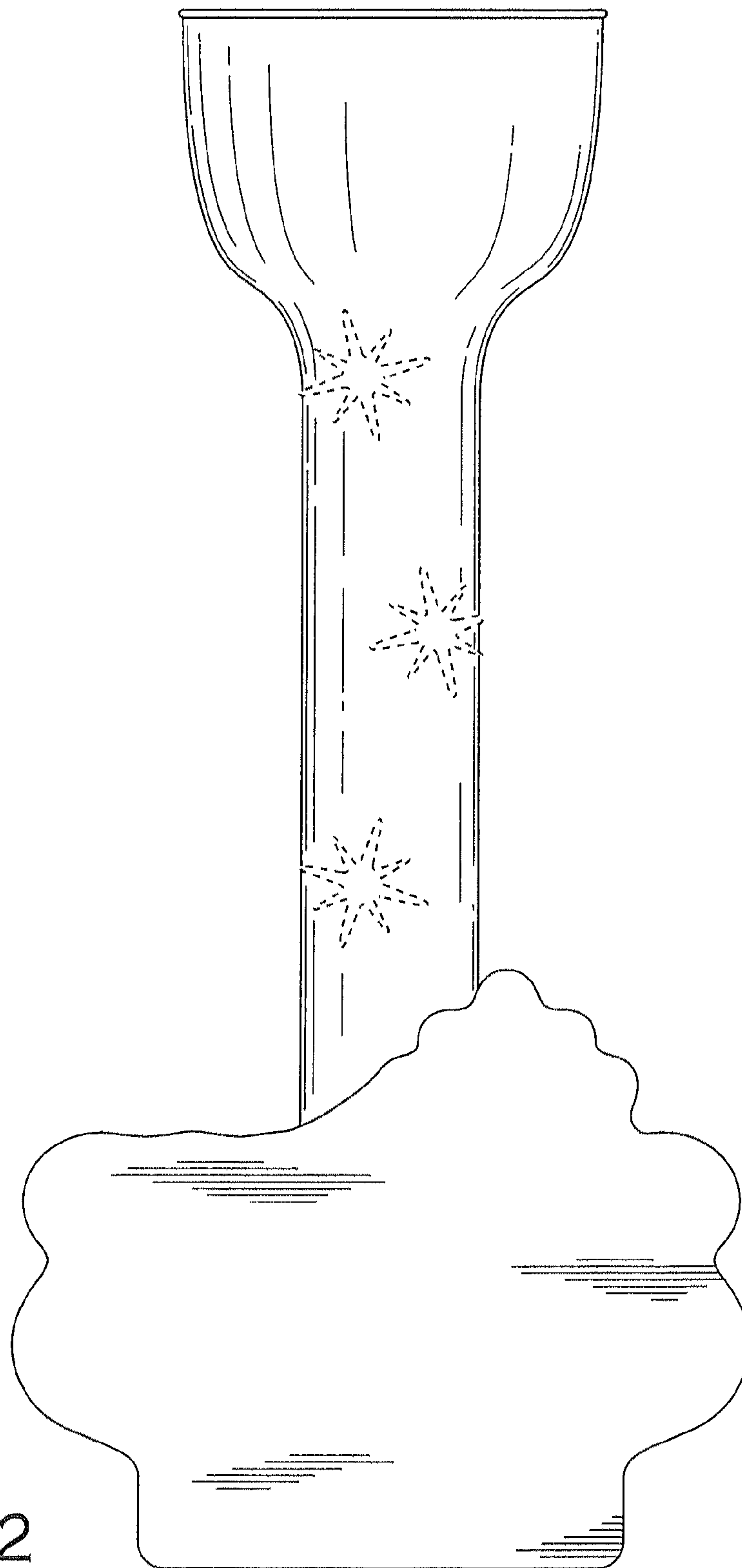


FIG. 2

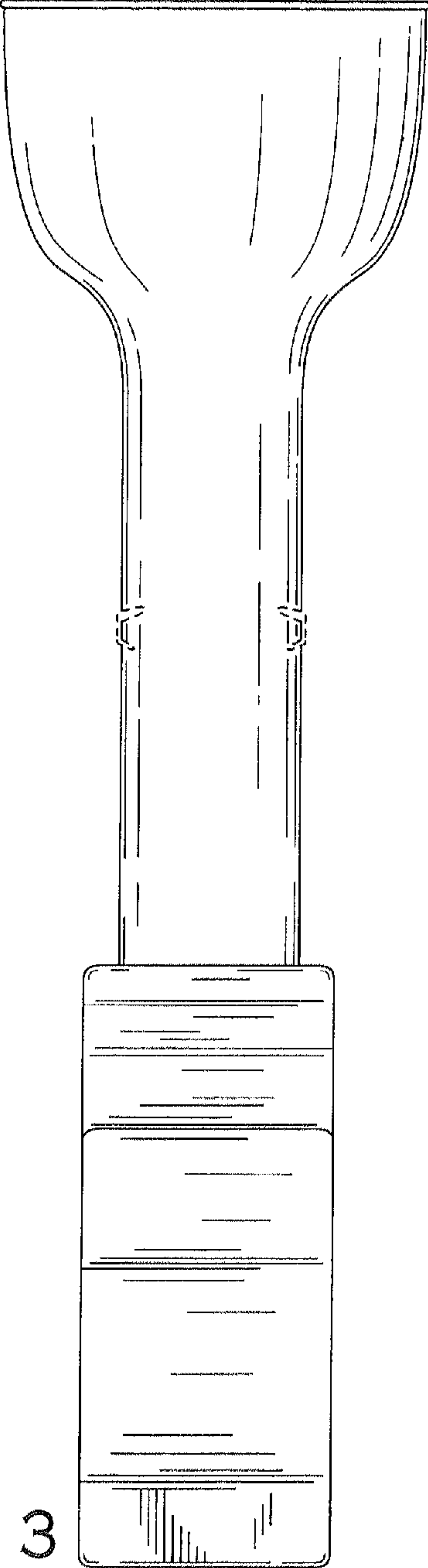


FIG. 3

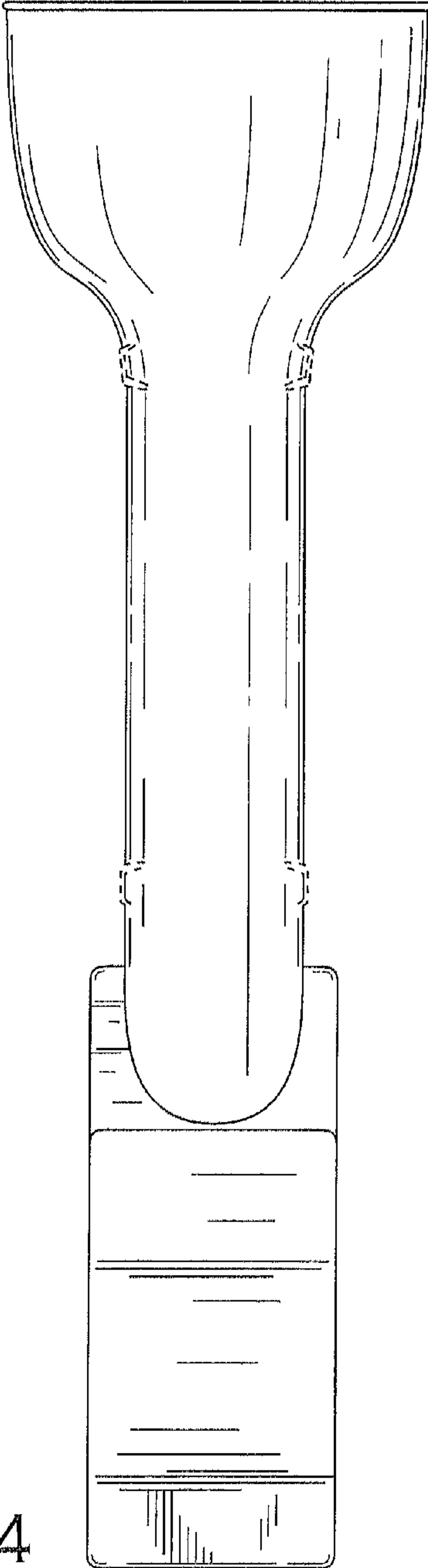


FIG. 4

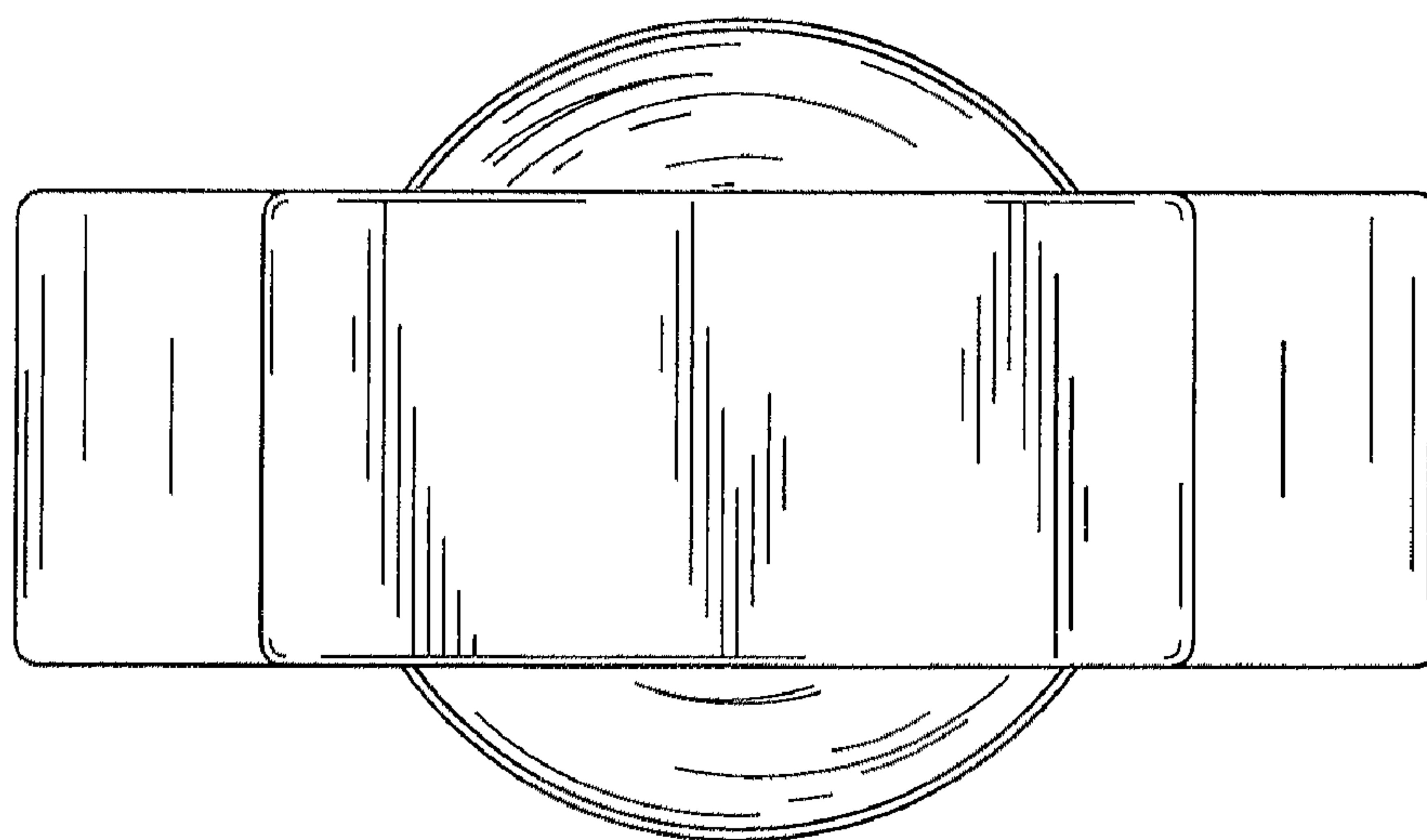


FIG. 5

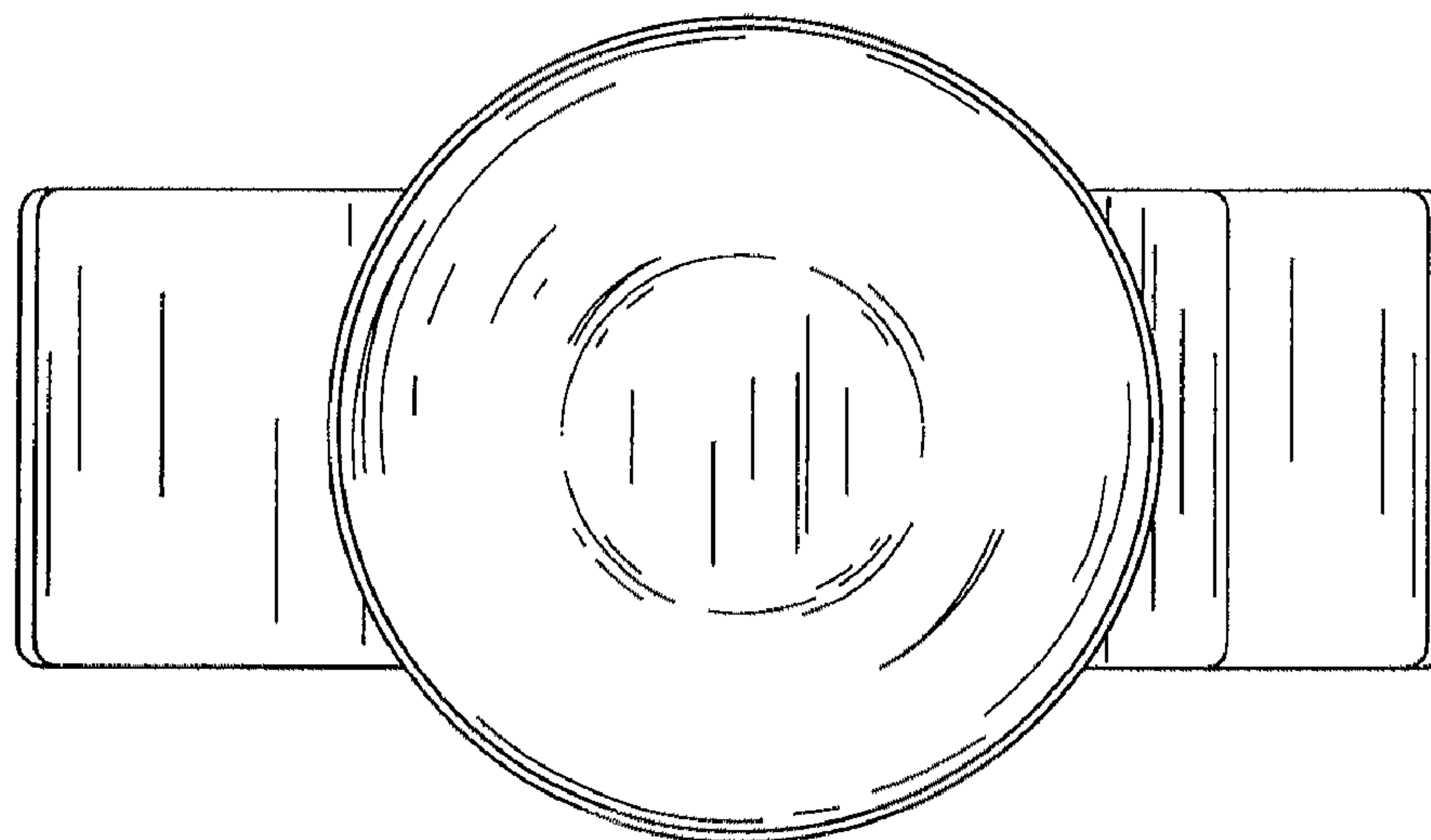


FIG. 6