



US00D675873S

(12) **United States Design Patent**
Miller et al.

(10) **Patent No.:** **US D675,873 S**

(45) **Date of Patent:** **** Feb. 12, 2013**

(54) **BEVERAGE CONTAINER**

(75) Inventors: **Blair Miller**, Chicago, IL (US); **David Joseph**, Oak Park, IL (US)

(73) Assignee: **Ignite USA, LLC**, Chicago, IL (US)

(**) Term: **14 Years**

(21) Appl. No.: **29/406,589**

(22) Filed: **Nov. 16, 2011**

(51) **LOC (9) Cl.** **07-01**

(52) **U.S. Cl.** **D7/510**

(58) **Field of Classification Search** D7/510,
D7/511, 536, 532, 523, 531; D9/551, 529;
215/121, 382, 387; 220/674, 715, 713, 718,
220/592.16, 592.17, 709, 708

See application file for complete search history.

(56) **References Cited**

U.S. PATENT DOCUMENTS

D540,979 S *	4/2007	Chen	D27/148
D544,302 S *	6/2007	Gibbons	D7/510
D564,841 S *	3/2008	Clemens et al.	D7/510
D589,751 S *	4/2009	Liu et al.	D7/510
D651,045 S *	12/2011	Eyal	D7/510
D660,081 S *	5/2012	Gilbert	D7/509

* cited by examiner

Primary Examiner — Robert M Spear

Assistant Examiner — Janice Hallmark

(74) *Attorney, Agent, or Firm* — McDermott Will & Emery LLP

(57) **CLAIM**

We claim the ornamental design for a beverage container, as shown and described.

DESCRIPTION

FIG. 1 is a perspective view of a beverage container according to the new design;

FIG. 2 is a front view of the beverage container shown in FIG. 1;

FIG. 3 is a left side view of the beverage container shown in FIG. 1;

FIG. 4 is a back view of the beverage container shown in FIG. 1;

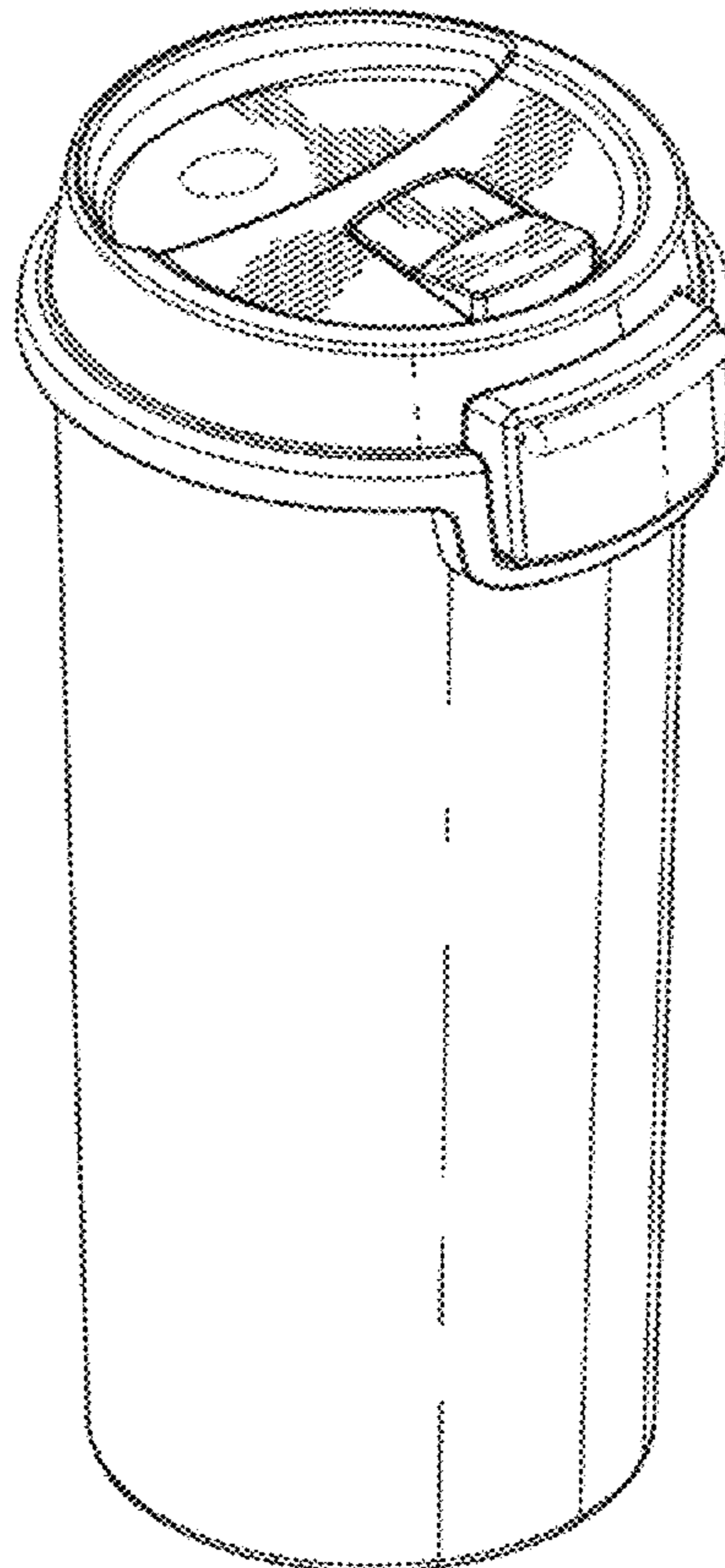
FIG. 5 is a right side view of the beverage container shown in FIG. 1;

FIG. 6 is a top view of the beverage container shown in FIG. 1; and,

FIG. 7 is a bottom view of the beverage container shown in FIG. 1.

Features shown in broken lines in the drawings are not part of the claim.

1 Claim, 4 Drawing Sheets



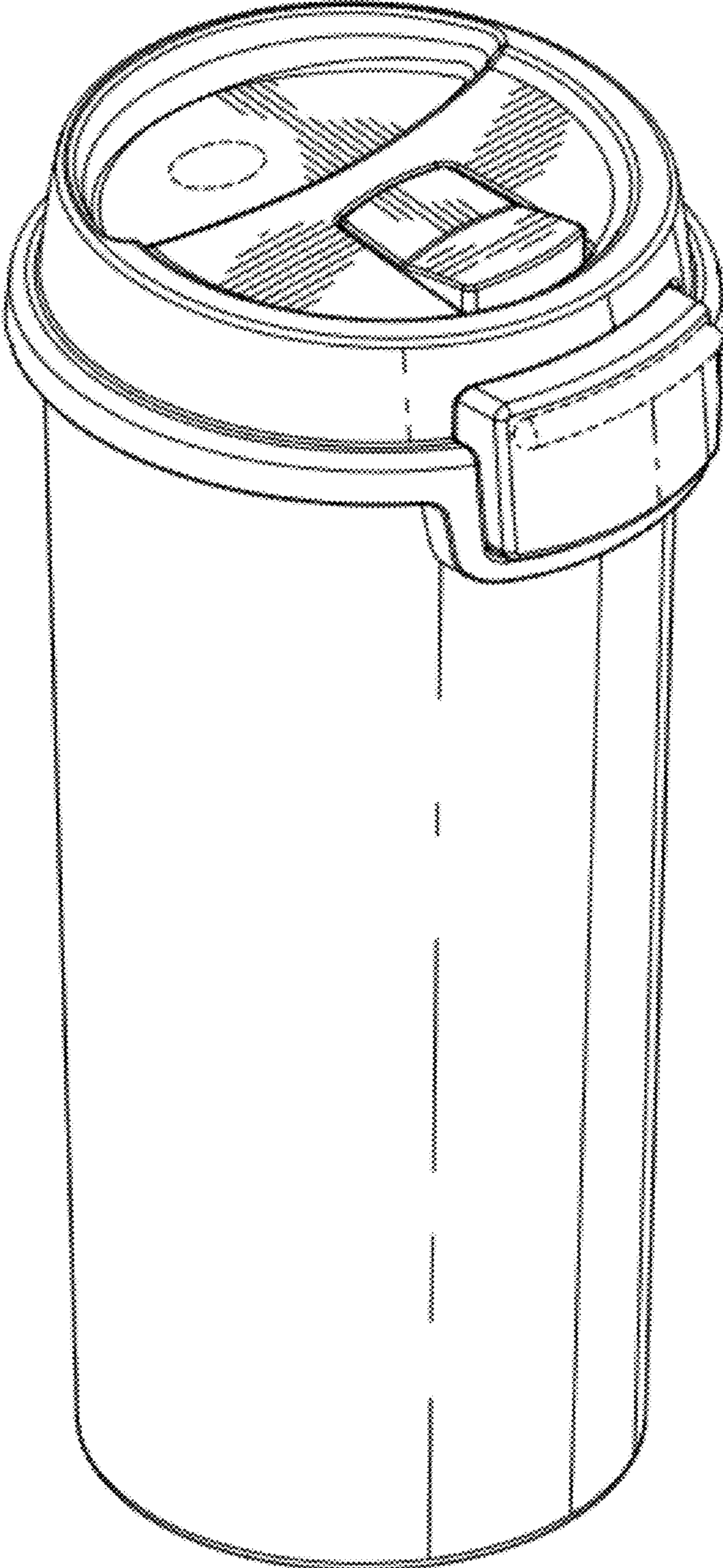


FIG. 1

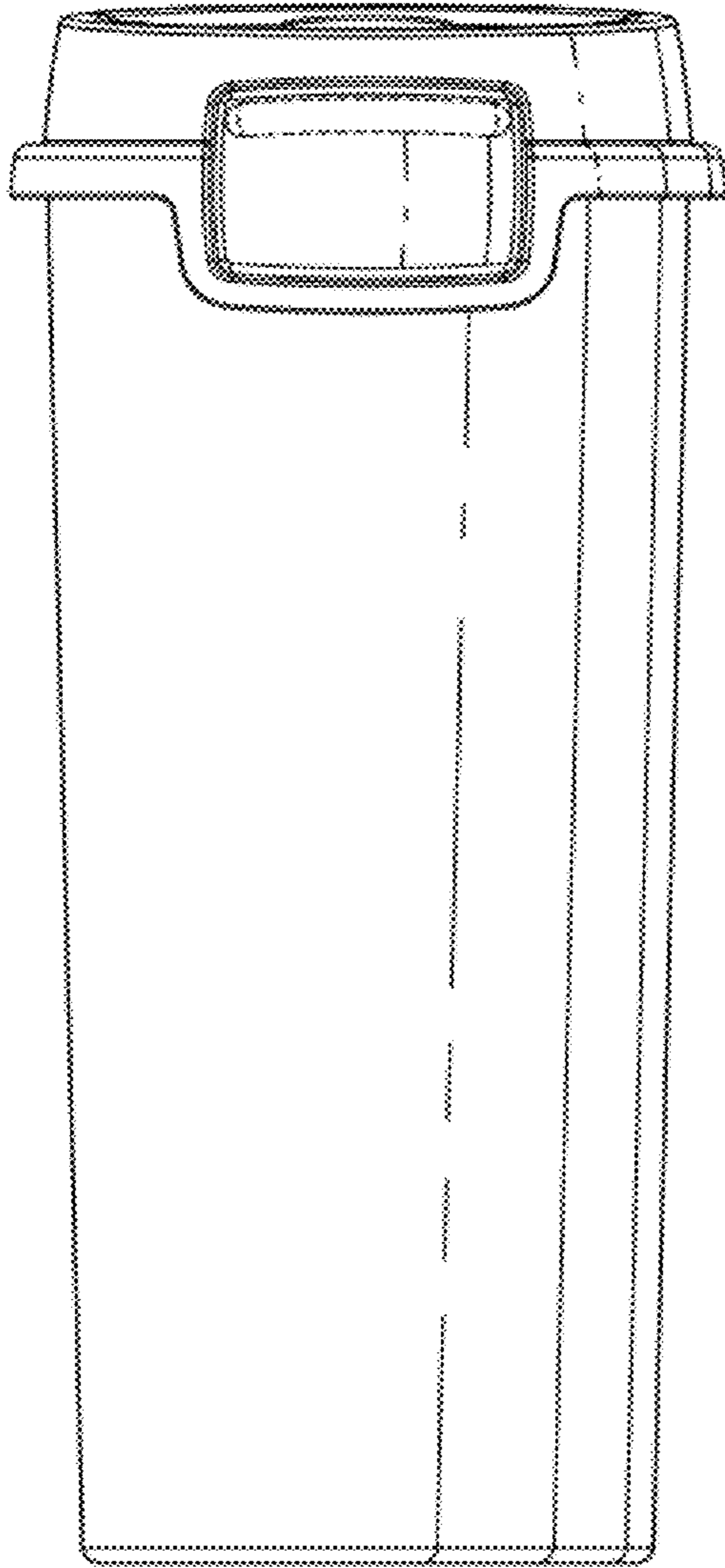


FIG. 2

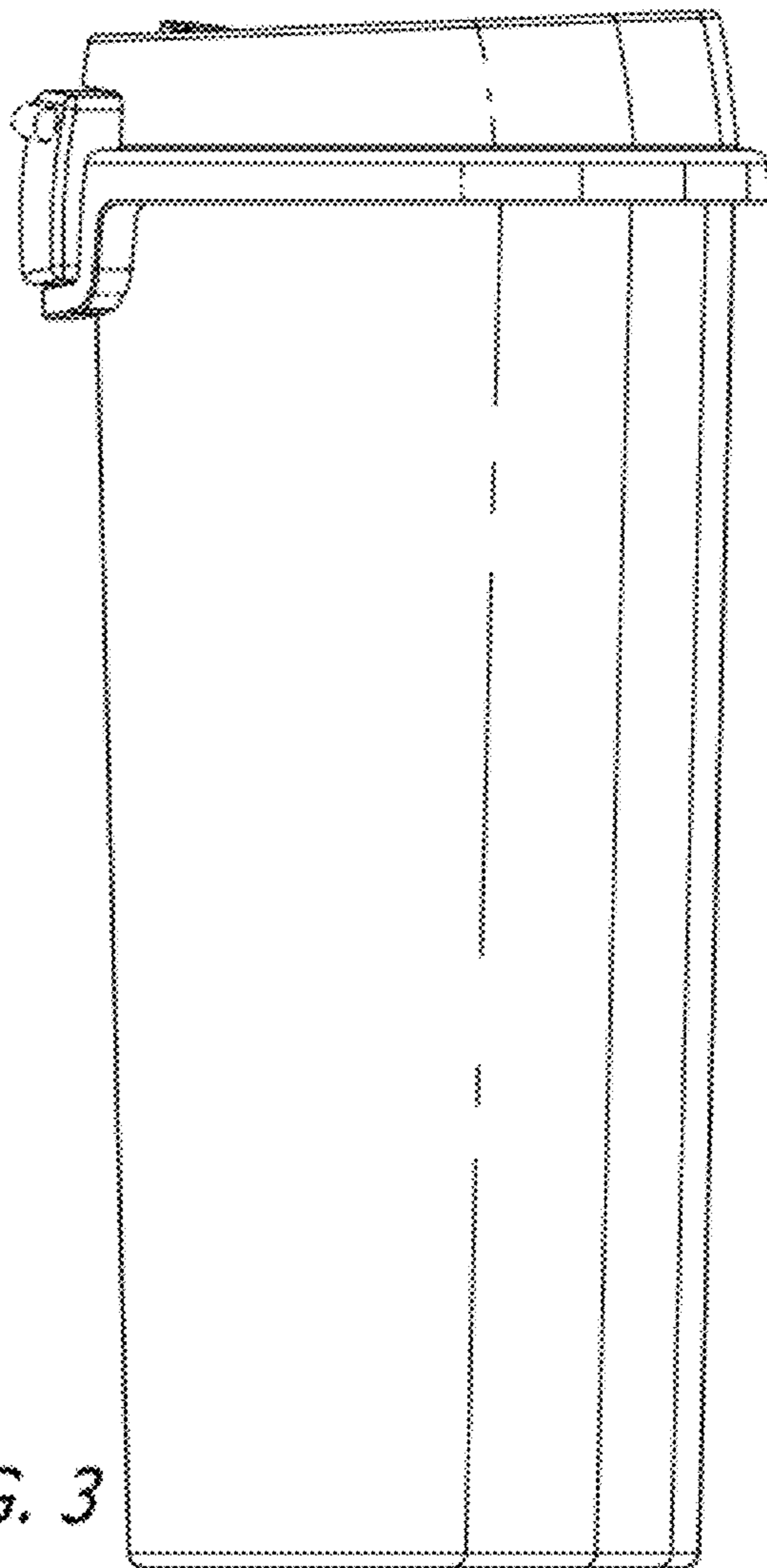


FIG. 3

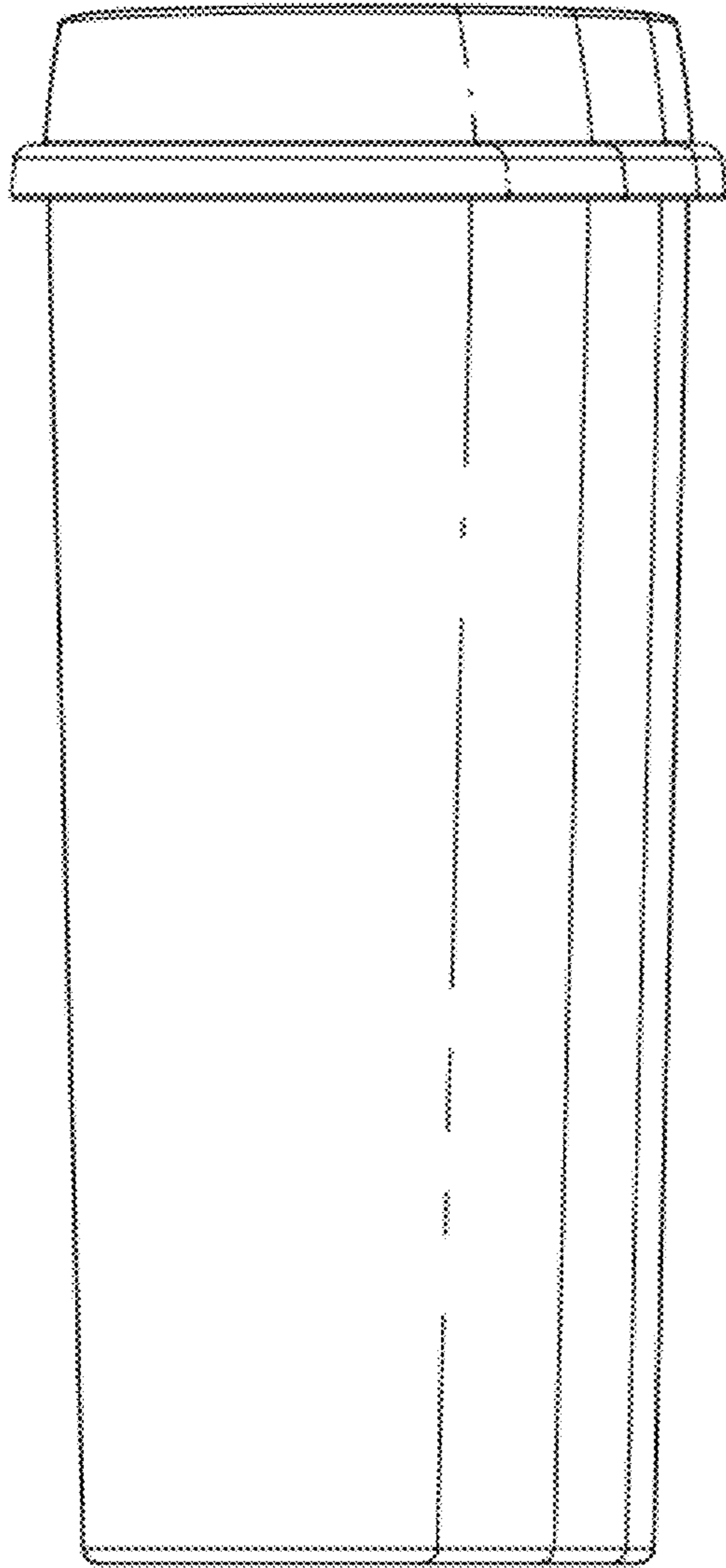


FIG. 4

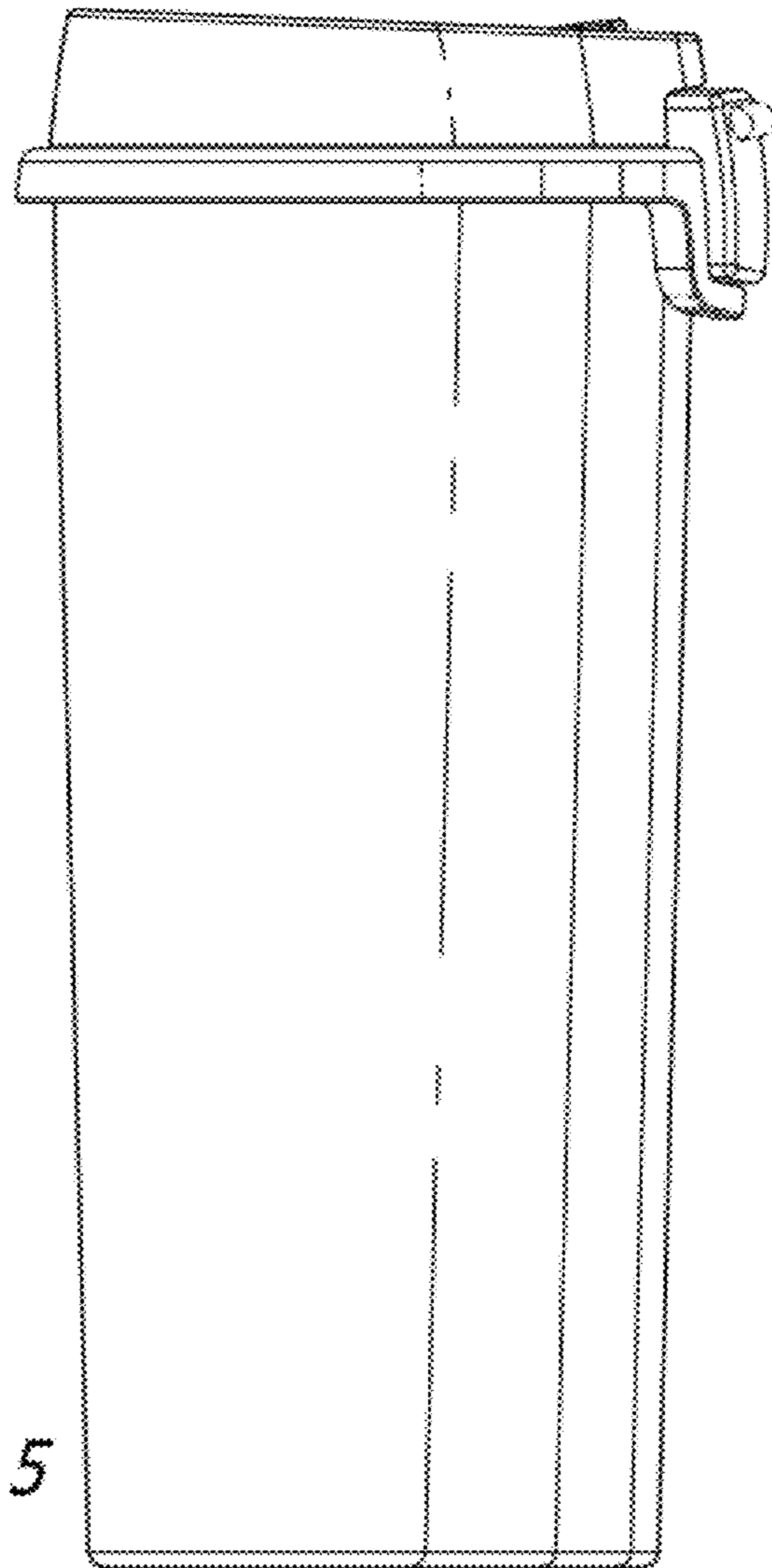


FIG. 5

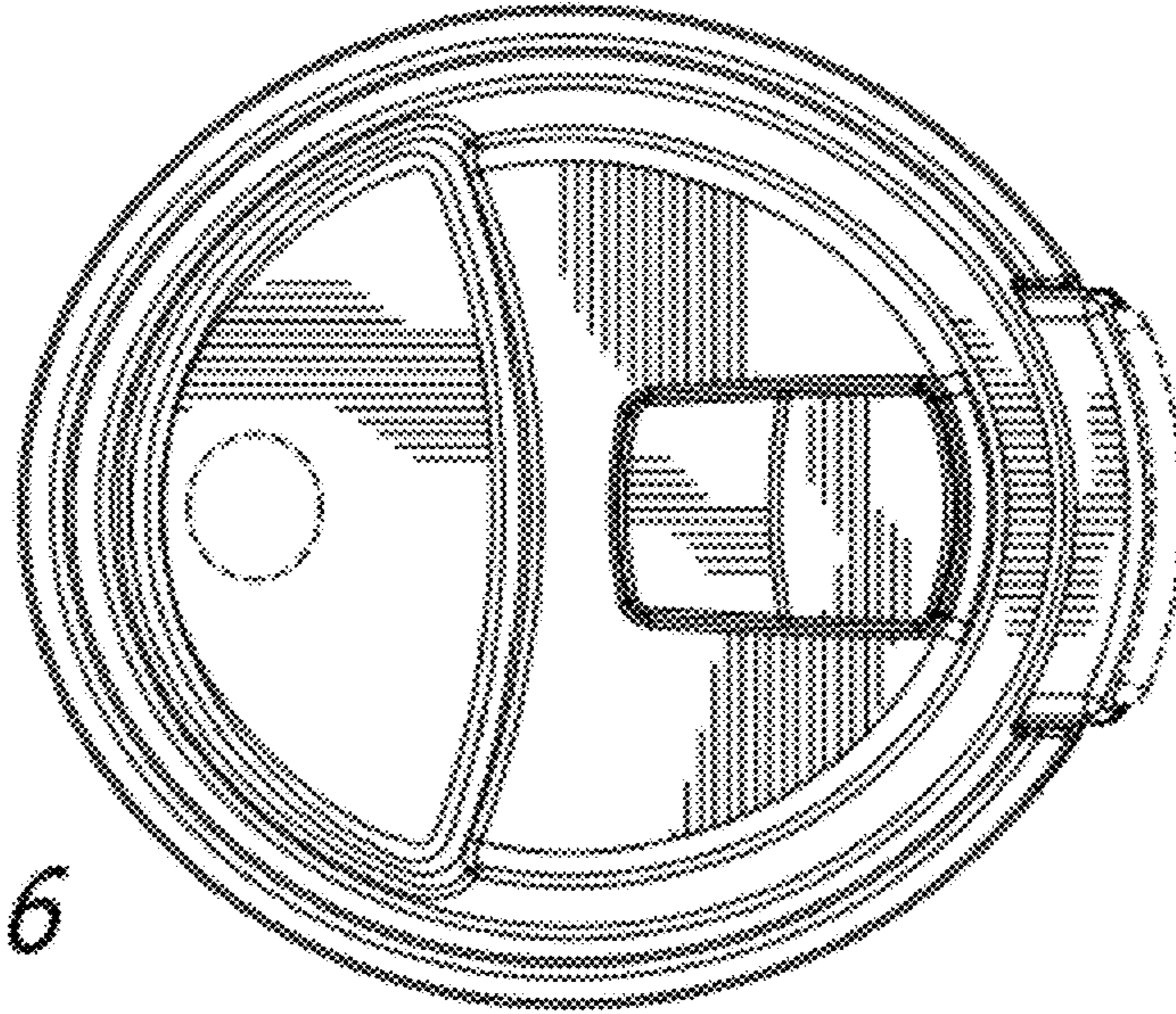


FIG. 6

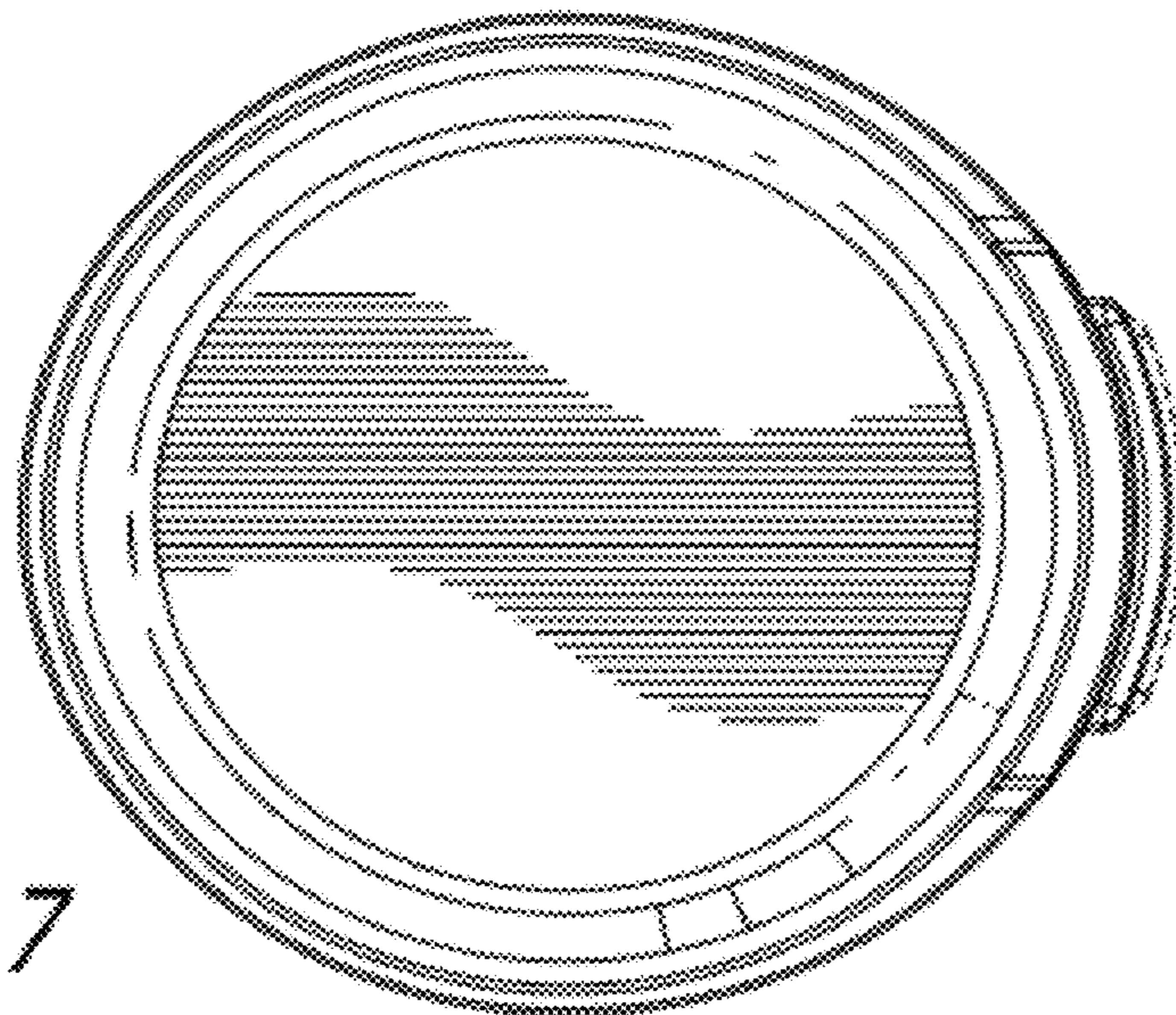


FIG. 7