



US00D675862S

(12) **United States Design Patent**
Bodum

(10) **Patent No.:** **US D675,862 S**

(45) **Date of Patent:** **** Feb. 12, 2013**

(54) **GRILL**

(75) **Inventor:** **Jørgen Bodum**, Meggen (CH)

(73) **Assignee:** **PI-Design AG**, Triengen (CH)

(**) **Term:** **14 Years**

(21) **Appl. No.:** **29/404,483**

(22) **Filed:** **Oct. 21, 2011**

(30) **Foreign Application Priority Data**

Apr. 26, 2011 (WO) DM/075 861

(51) **LOC (9) Cl.** **07-02**

(52) **U.S. Cl.** **D7/337**

(58) **Field of Classification Search** D7/332,
D7/334, 337, 402-404, 408-409, 354-355,
D7/359; 126/27, 44, 25 R, 41 R, 9 R, 40,
126/50, 38, 39 H, 39 N, 39 K, 39 M; 99/425,
99/444-447, 450, 482

See application file for complete search history.

(56) **References Cited**

U.S. PATENT DOCUMENTS

4,498,452	A	*	2/1985	Schlosser et al.	126/9 R
4,576,140	A		3/1986	Schlosser		
D284,929	S	*	8/1986	Schlosser et al.	D7/332
D376,510	S	*	12/1996	Ting	D7/332
D395,785	S	*	7/1998	Lin	D7/332
D417,362	S	*	12/1999	Ting	D7/402
D427,840	S	*	7/2000	Pai	D7/332
D463,707	S	*	10/2002	Bossler	D7/332

D501,115	S	*	1/2005	Zhang	D7/332
D504,798	S	*	5/2005	Nipke et al.	D7/402
D508,364	S	*	8/2005	Nipke et al.	D7/334
D511,640	S	*	11/2005	Nipke et al.	D7/337
D637,034	S	*	5/2011	Bodum	D7/337

FOREIGN PATENT DOCUMENTS

WO	DM/072218	8/2009
WO	DM/073963	7/2010

OTHER PUBLICATIONS

Page from website <http://contento-shop.com/cmd/shop/a/Detail/pid/672055/cid/2001/Contento-BBQ-Kugelgrill-schwarz/>.

Page from website <http://weberstephen.ch/Default.aspx?ID=129&GroupID=GROUP16&ProductID=PROD643&pagetitle=Sm.>

* cited by examiner

Primary Examiner — Ruth McInroy

(74) *Attorney, Agent, or Firm* — Sughrue Mion, PLLC

(57) **CLAIM**

The ornamental design for a grill, as shown and described.

DESCRIPTION

FIG. 1 is a perspective view of a grill showing my new design; FIG. 2 is a front side view thereof; FIG. 3 is a back side view thereof; FIG. 4 is a right side view thereof; FIG. 5 is a left side view thereof; FIG. 6 is a top view thereof; and, FIG. 7 is a bottom view thereof.

The broken lines depict environmental subject matter only and form no part of the claimed design.

1 Claim, 7 Drawing Sheets

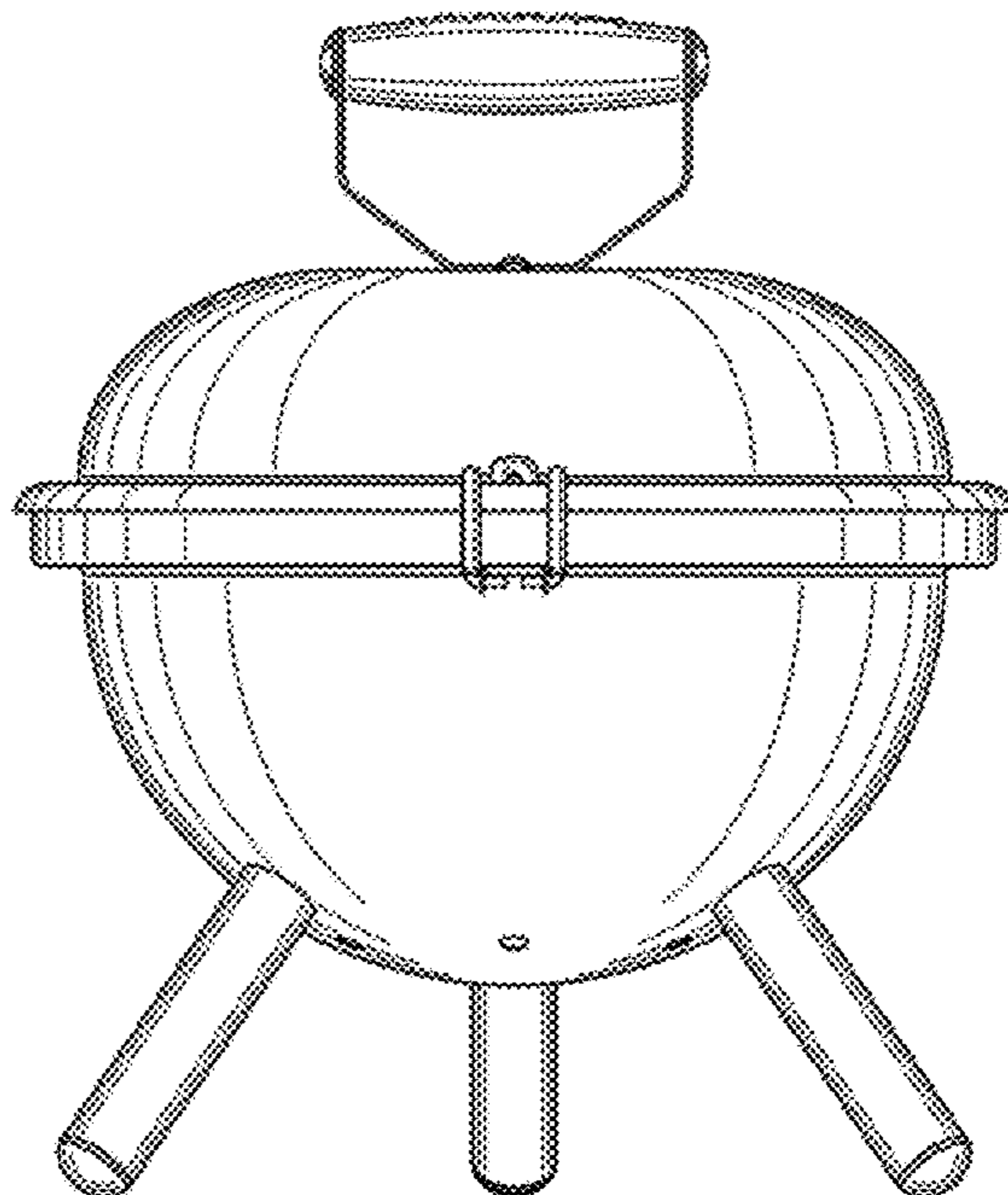
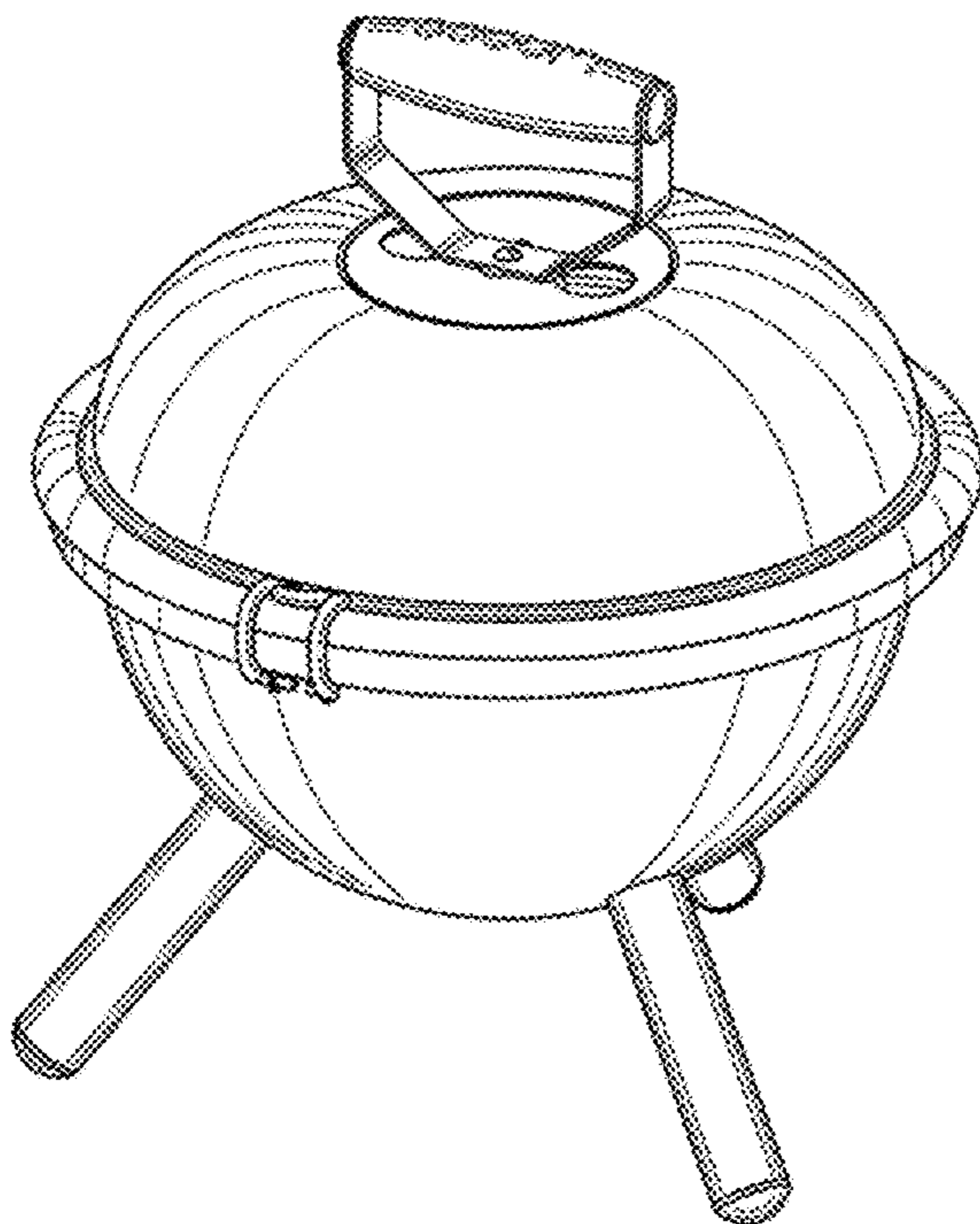


Figure 1

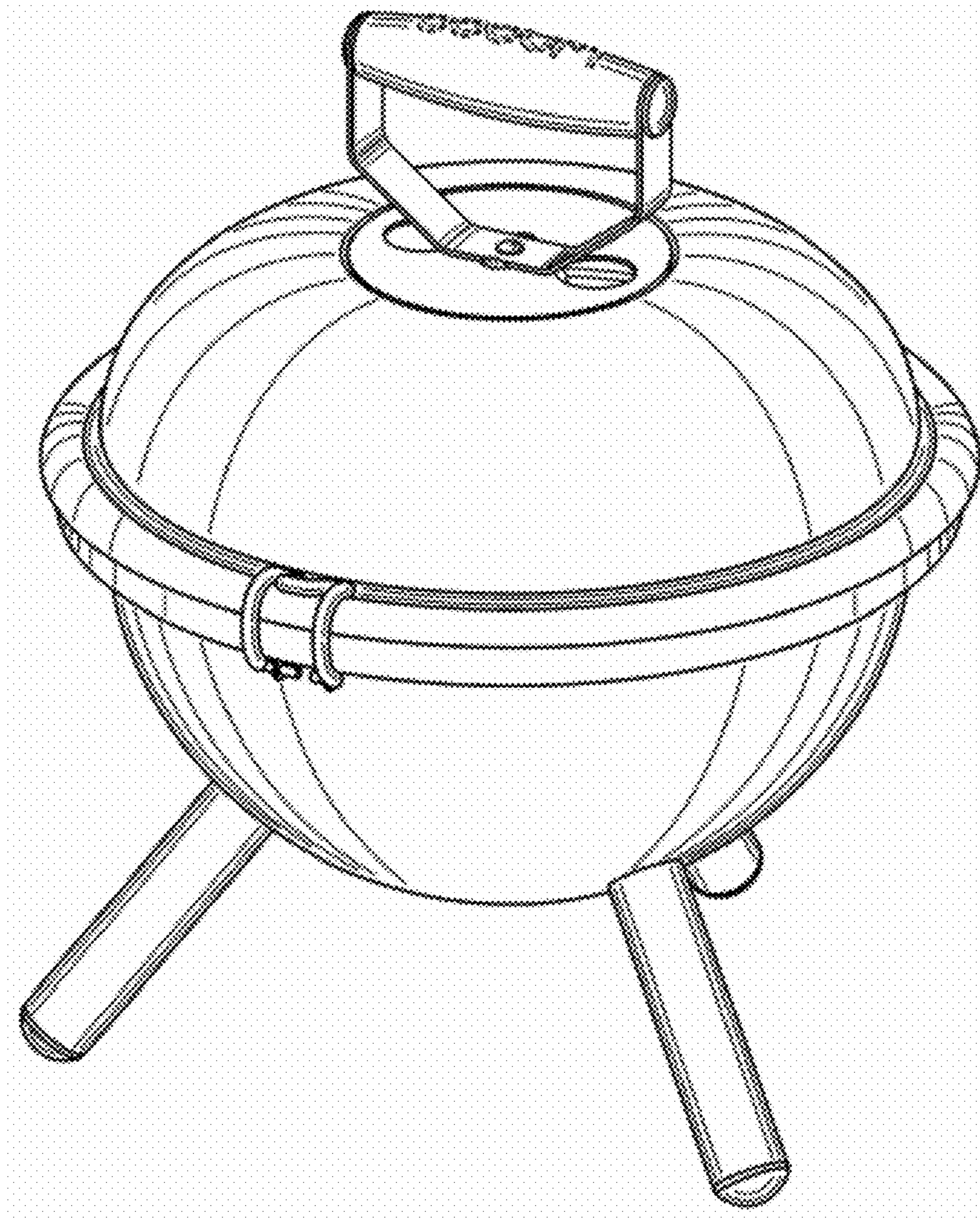


Figure 2

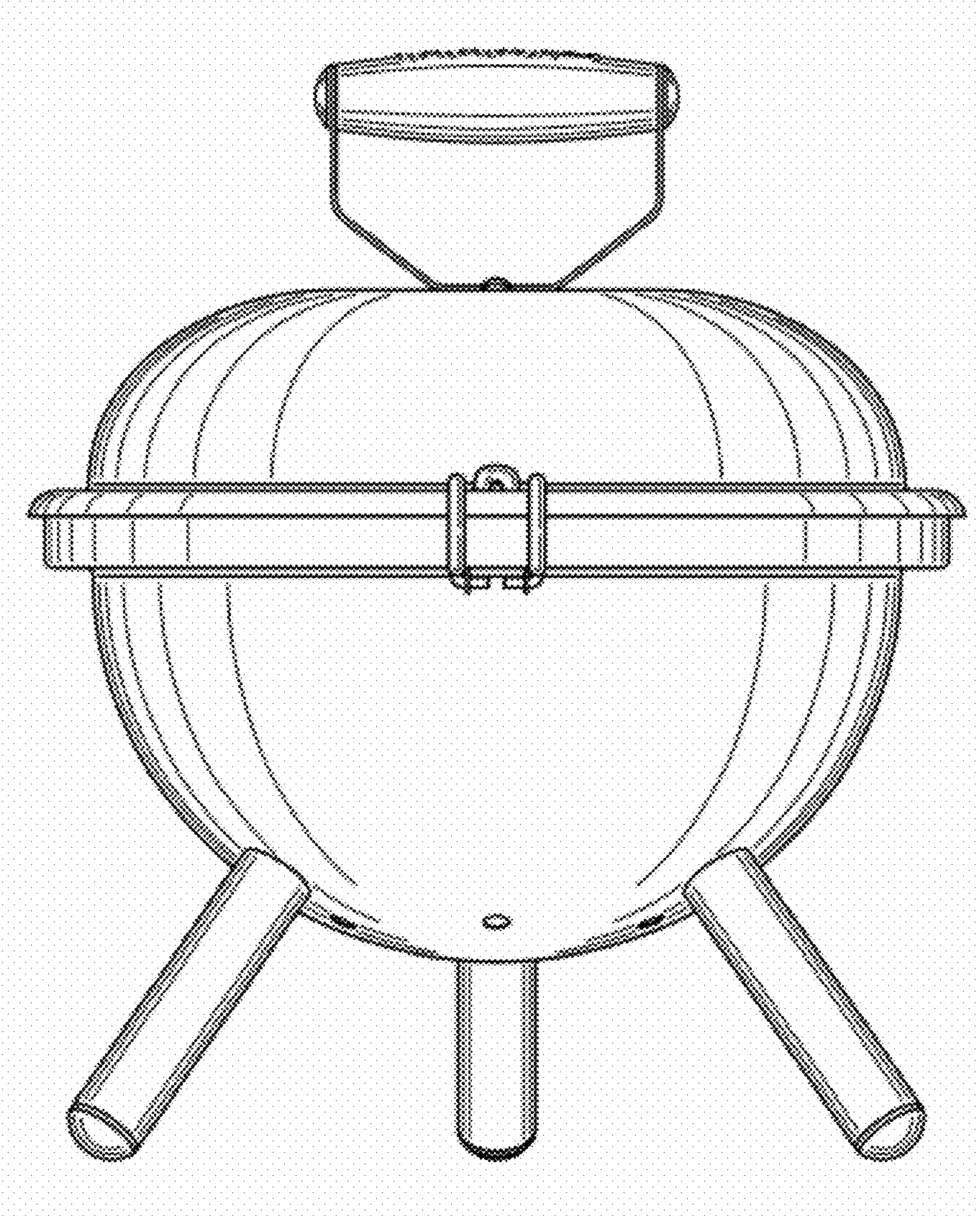


Figure 3

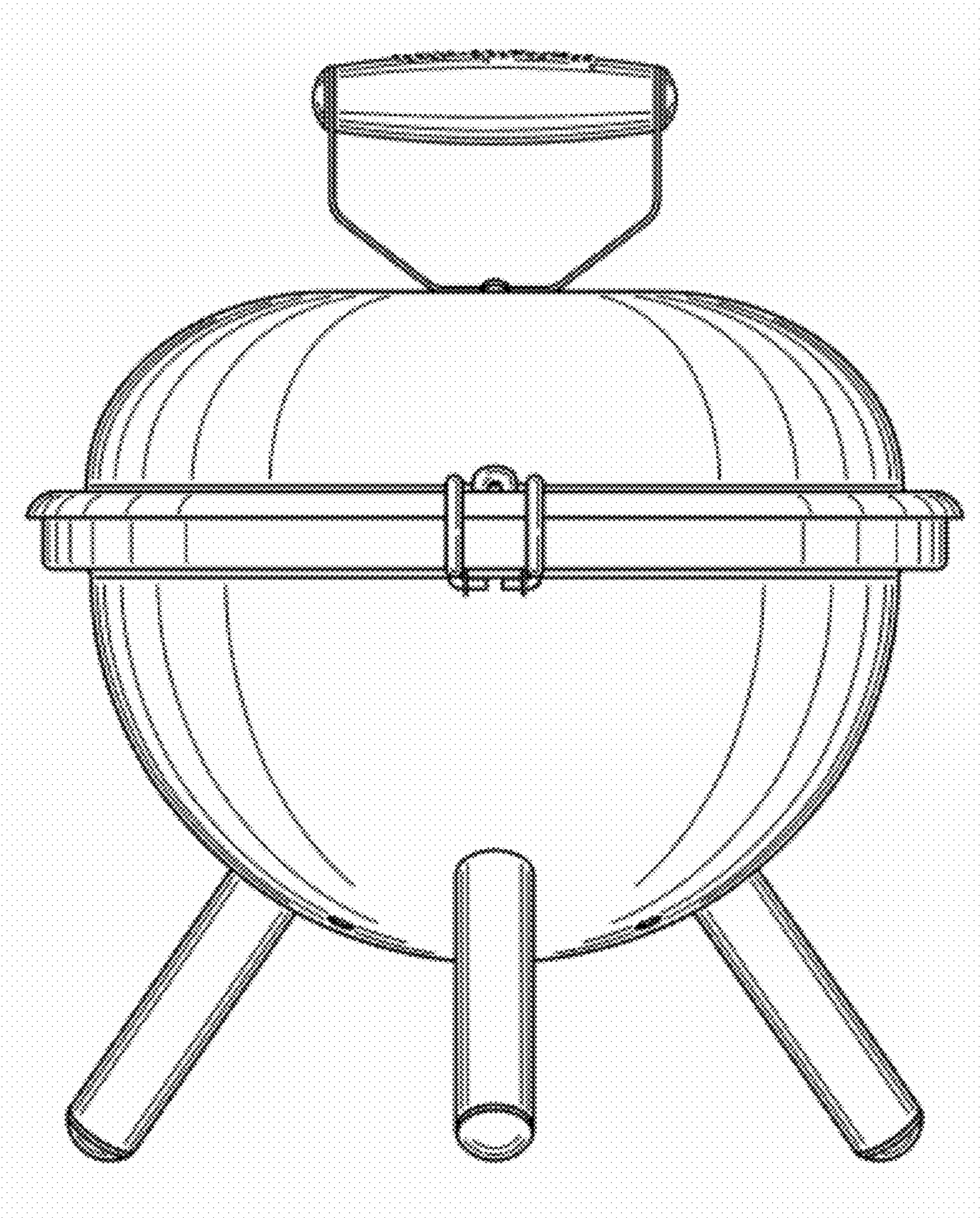


Figure 4

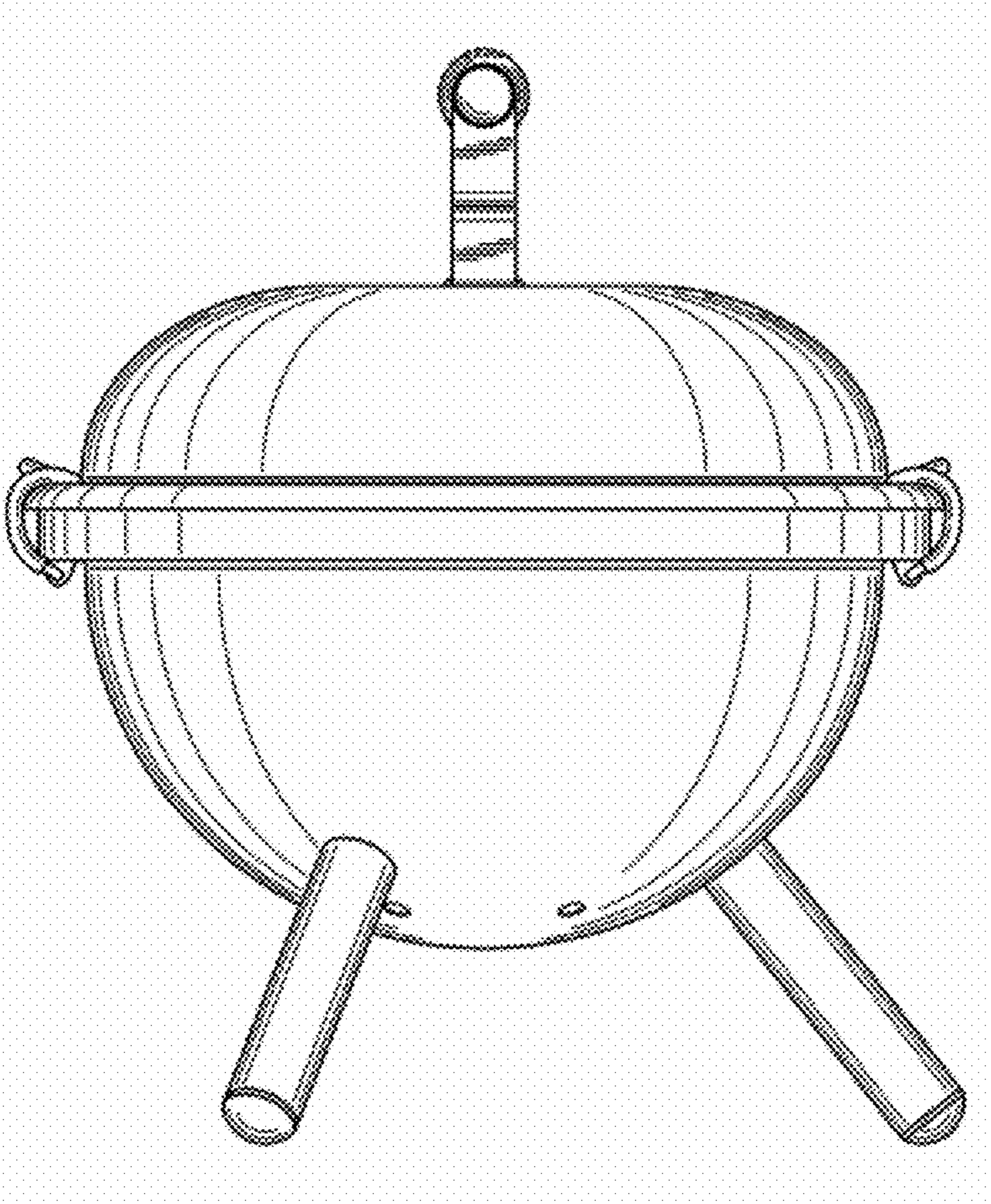


Figure 5

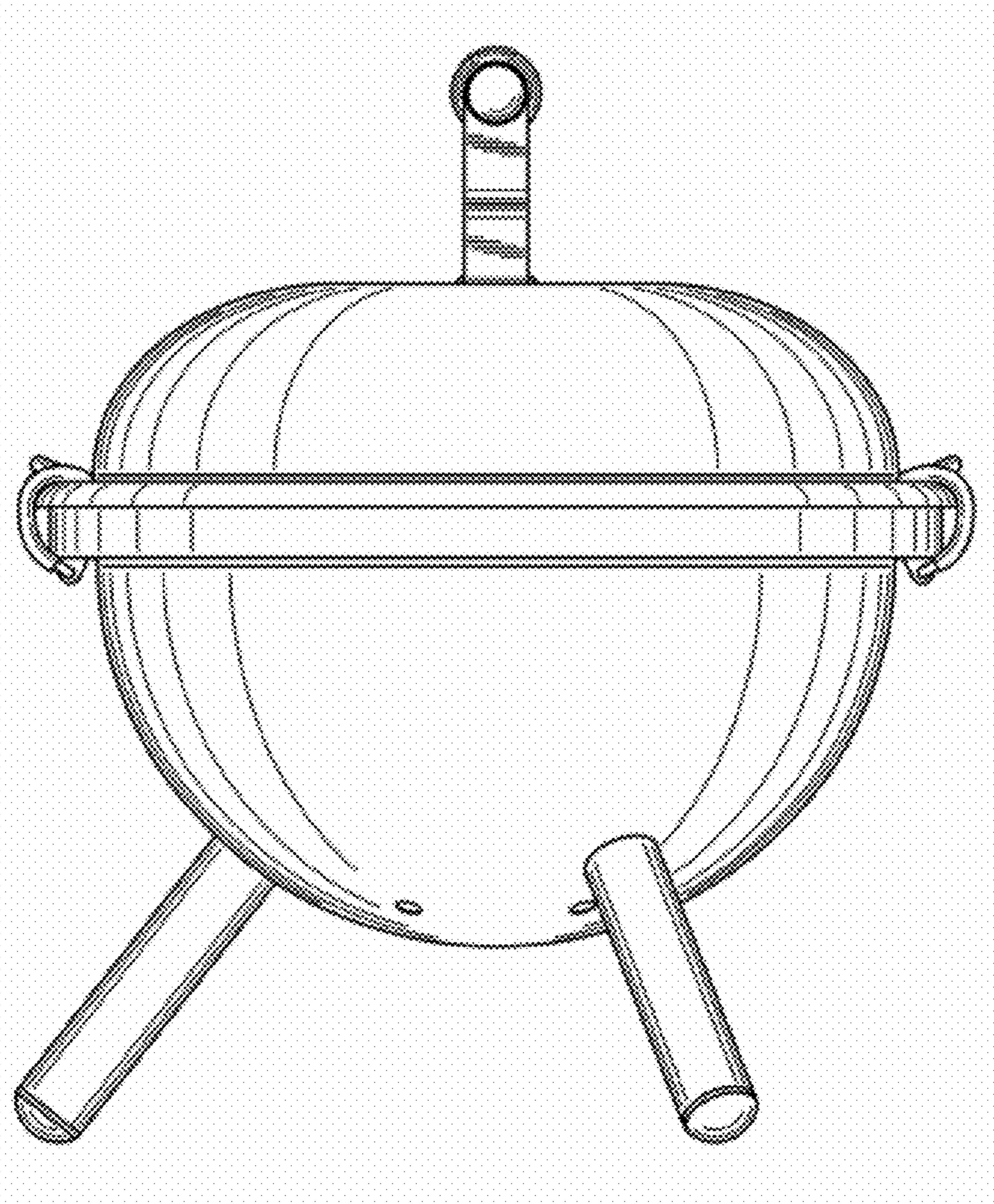


Figure 6

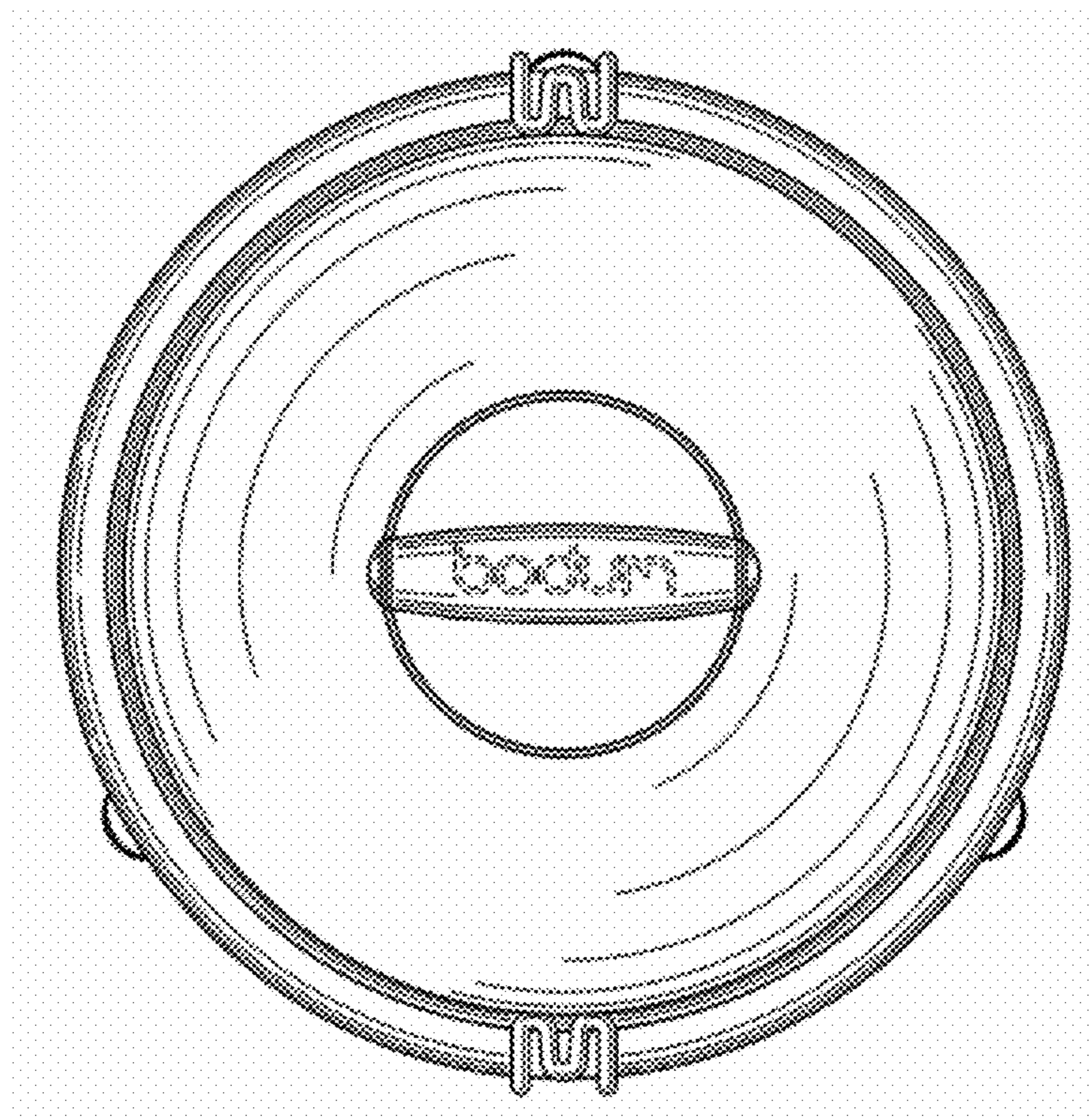


Figure 7

