



US00D675859S

(12) **United States Design Patent**
De Prà

(10) **Patent No.:** **US D675,859 S**

(45) **Date of Patent:** **** Feb. 12, 2013**

(54) **COFFEE MAKER**

(75) Inventor: **Dario De Prà**, Mirano (IT)

(73) Assignee: **Koninklijke Philips Electronics N.V.**,
Eindhoven (NL)

(**) Term: **14 Years**

(21) Appl. No.: **29/406,008**

(22) Filed: **Nov. 9, 2011**

(30) **Foreign Application Priority Data**

May 9, 2011 (EM) 001860693-0001

(51) **LOC (9) Cl.** **07-01**

(52) **U.S. Cl.** **D7/309; D7/311**

(58) **Field of Classification Search** D7/309-311,
D7/306, 300; 99/323.3, 306, 293, 297, 305,
99/309, 311

See application file for complete search history.

(56) **References Cited**

U.S. PATENT DOCUMENTS

D536,917 S *	2/2007	McWilliam	D7/309
D600,062 S *	9/2009	Lavy	D7/309
D604,087 S *	11/2009	Lavy	D7/309
D615,339 S *	5/2010	Bronwasser	D7/306
D658,423 S *	5/2012	Curtis et al.	D7/309

* cited by examiner

Primary Examiner — Marianne Pandozzi

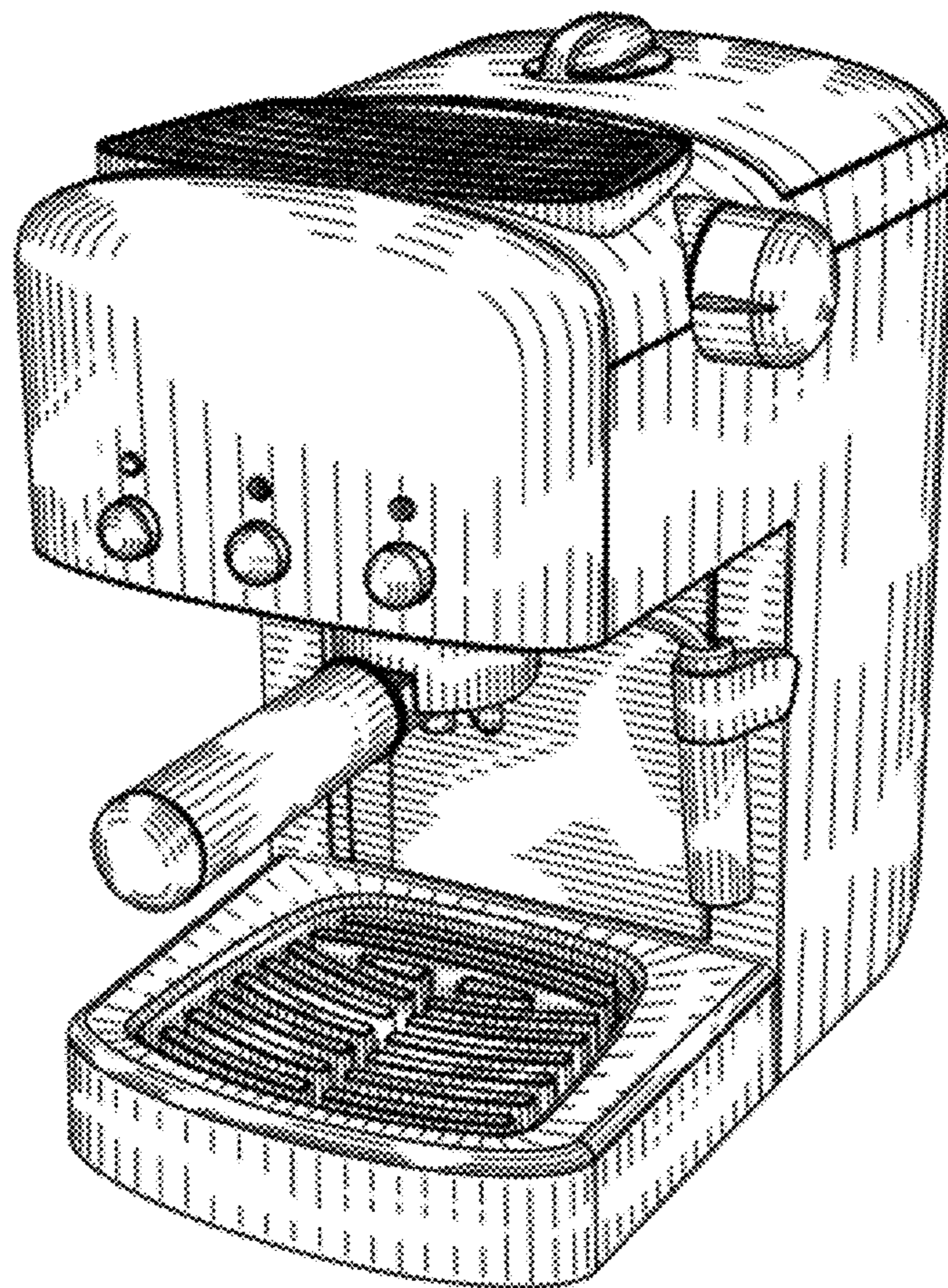
(57) **CLAIM**

The ornamental design for a coffee maker, as shown.

DESCRIPTION

FIG. 1 is a perspective view showing my design;
FIG. 2 is a front elevational view thereof;
FIG. 3 is a rear elevational view thereof;
FIG. 4 is a right side elevational view thereof;
FIG. 5 is a left side elevational view thereof;
FIG. 6 is a top plan view thereof; and,
FIG. 7 is a bottom plan view thereof.
The broken lines in the drawings are included for the purpose
of illustration and form no part of the claimed design.

1 Claim, 7 Drawing Sheets



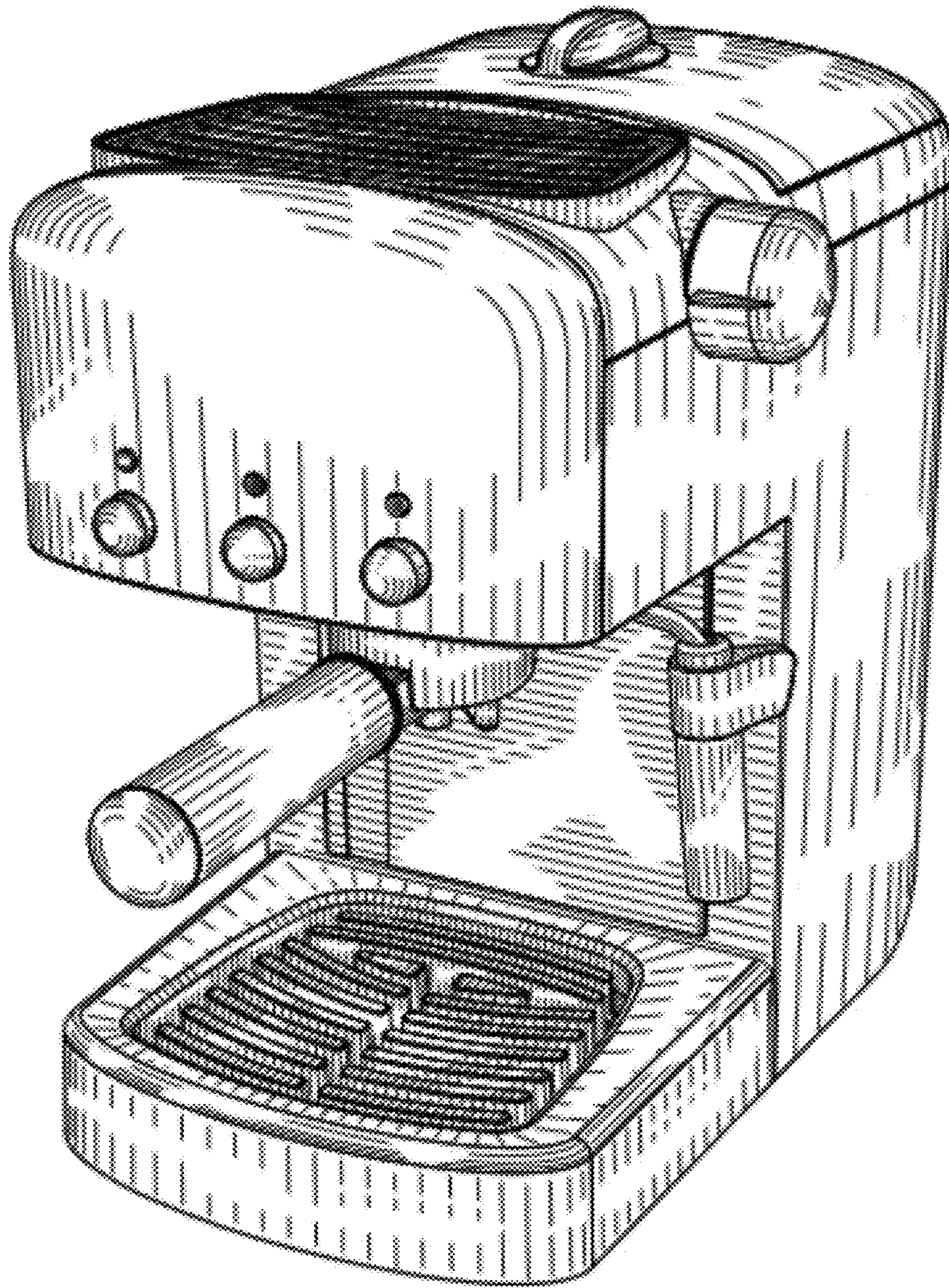


FIG. 1

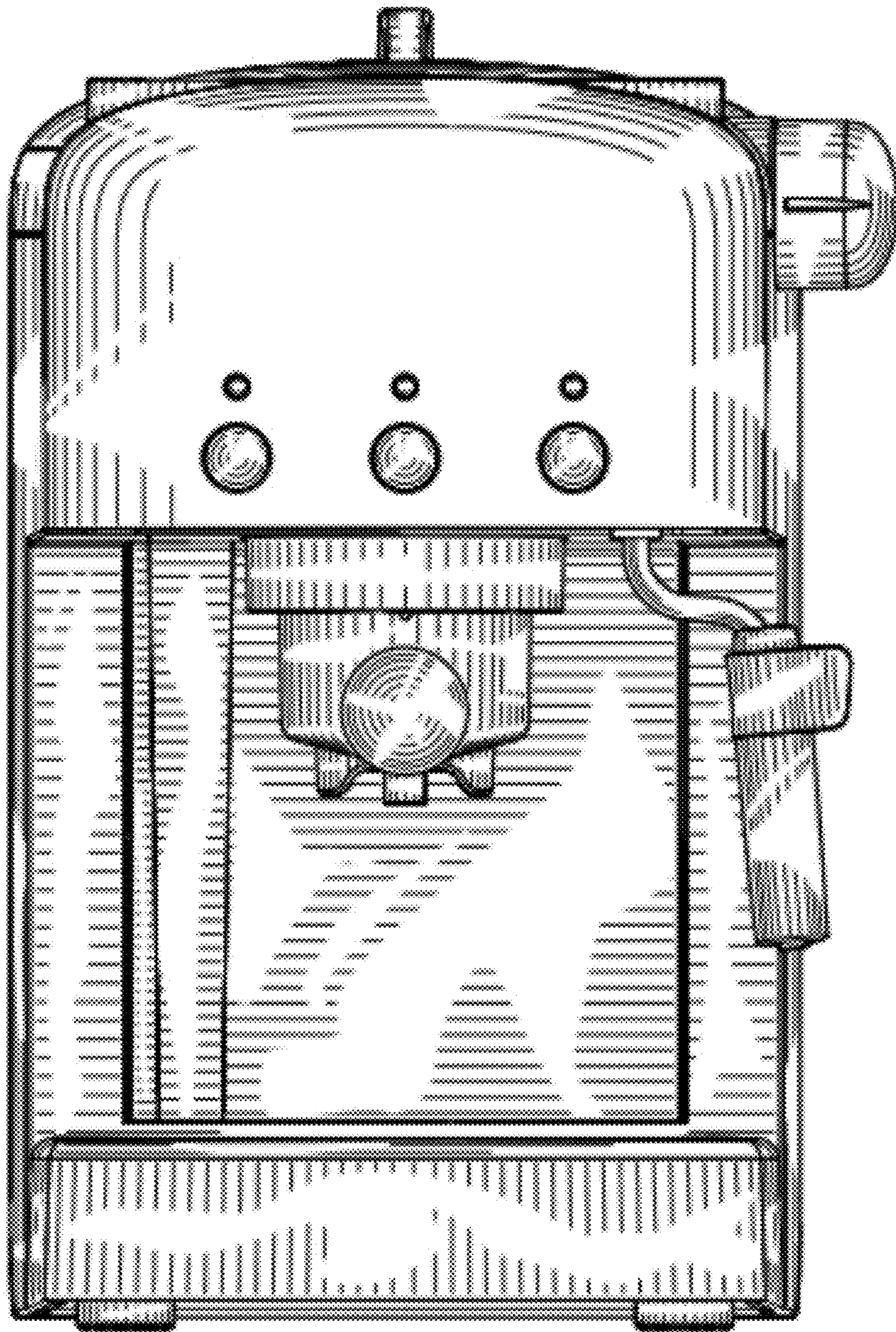


FIG.2

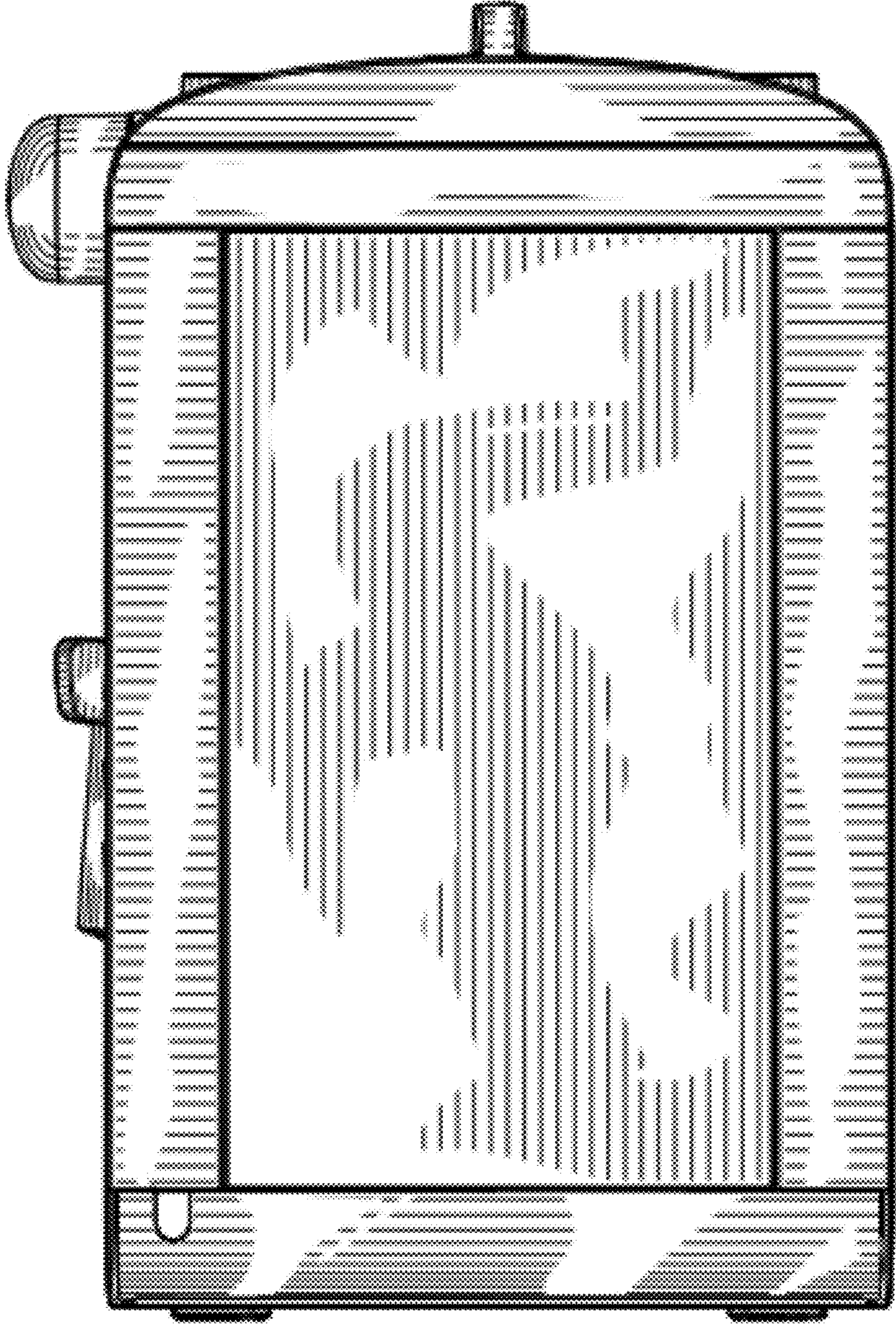


FIG. 3

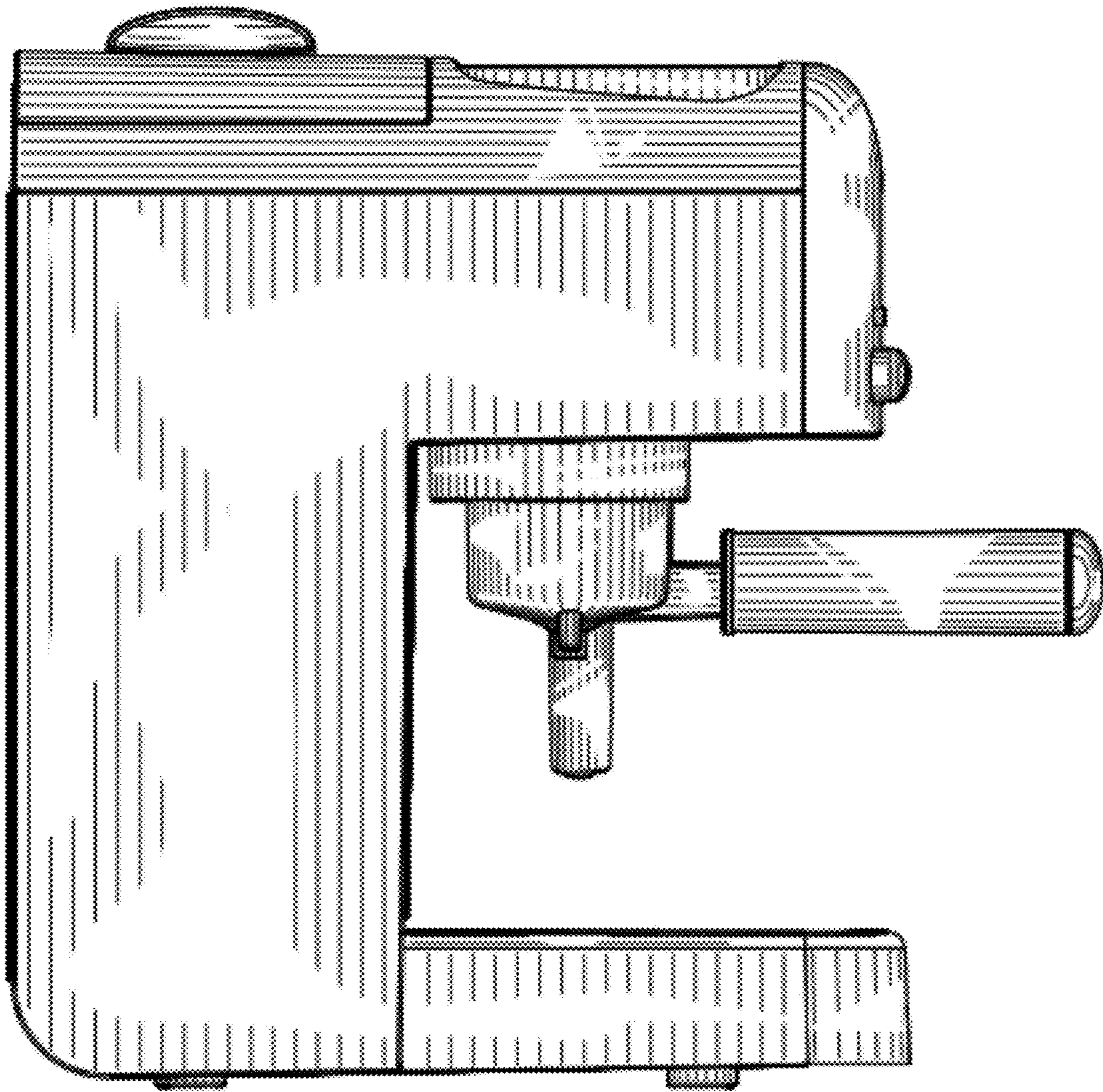


FIG.4

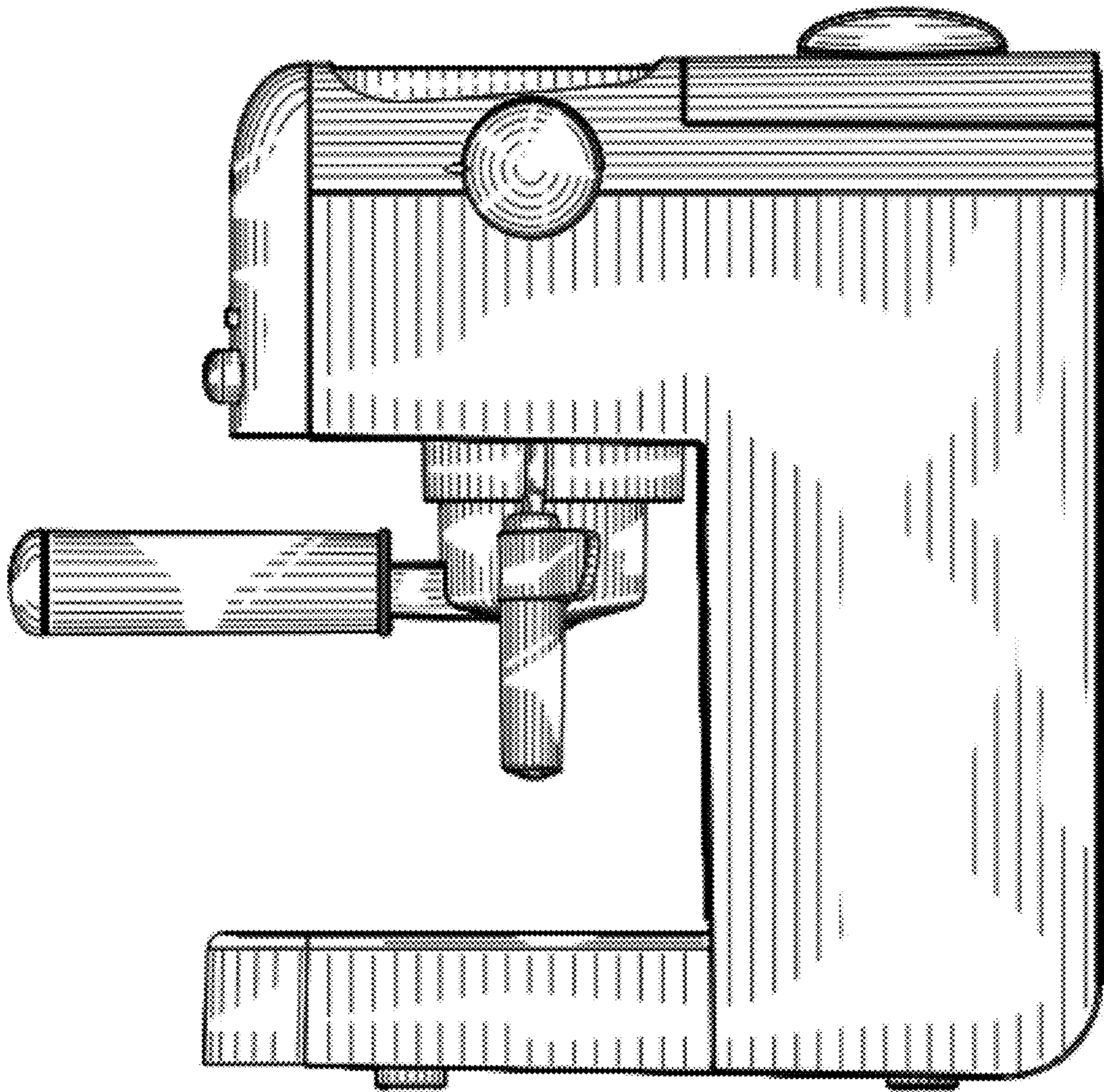


FIG. 5

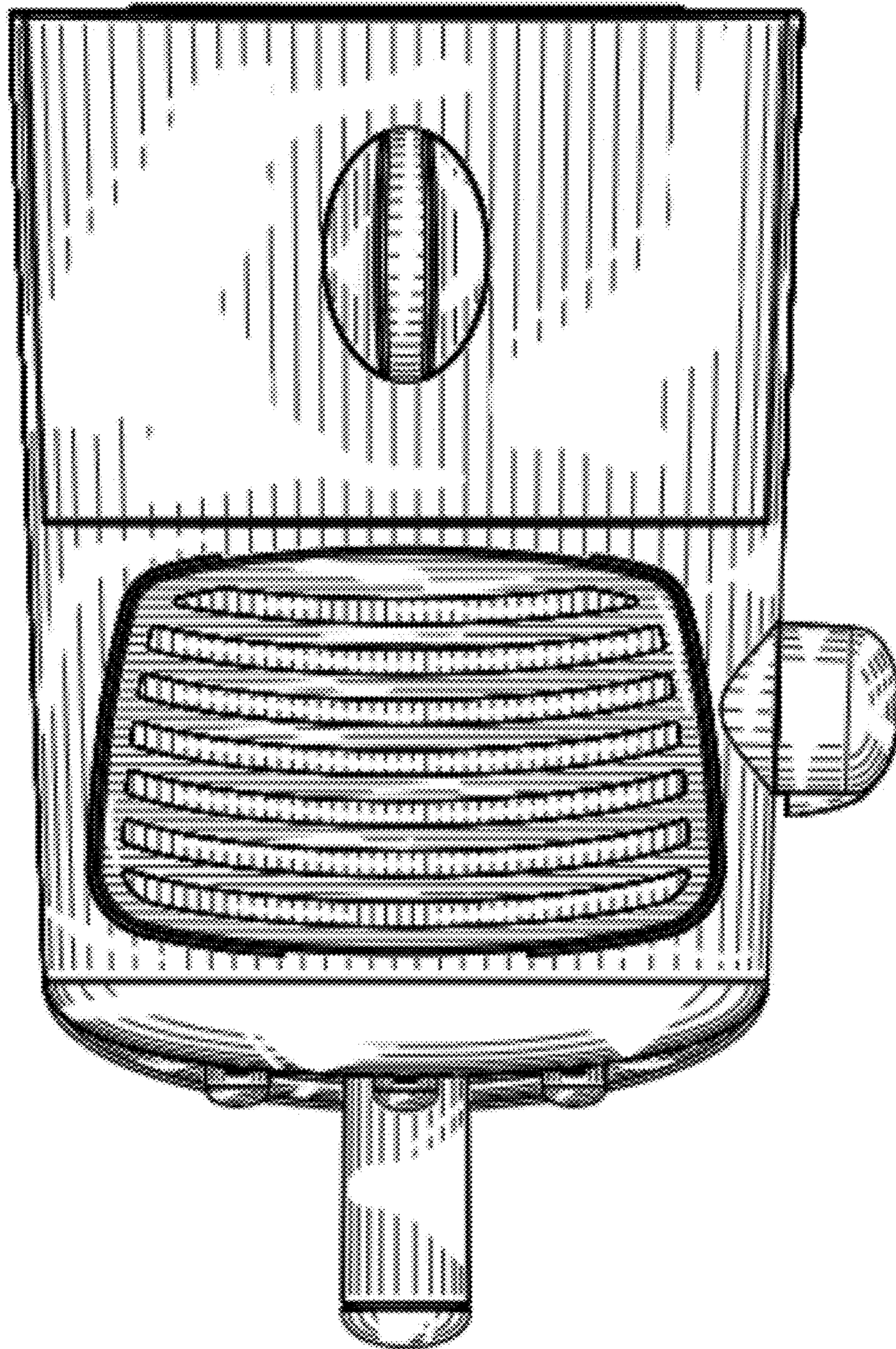


FIG. 6

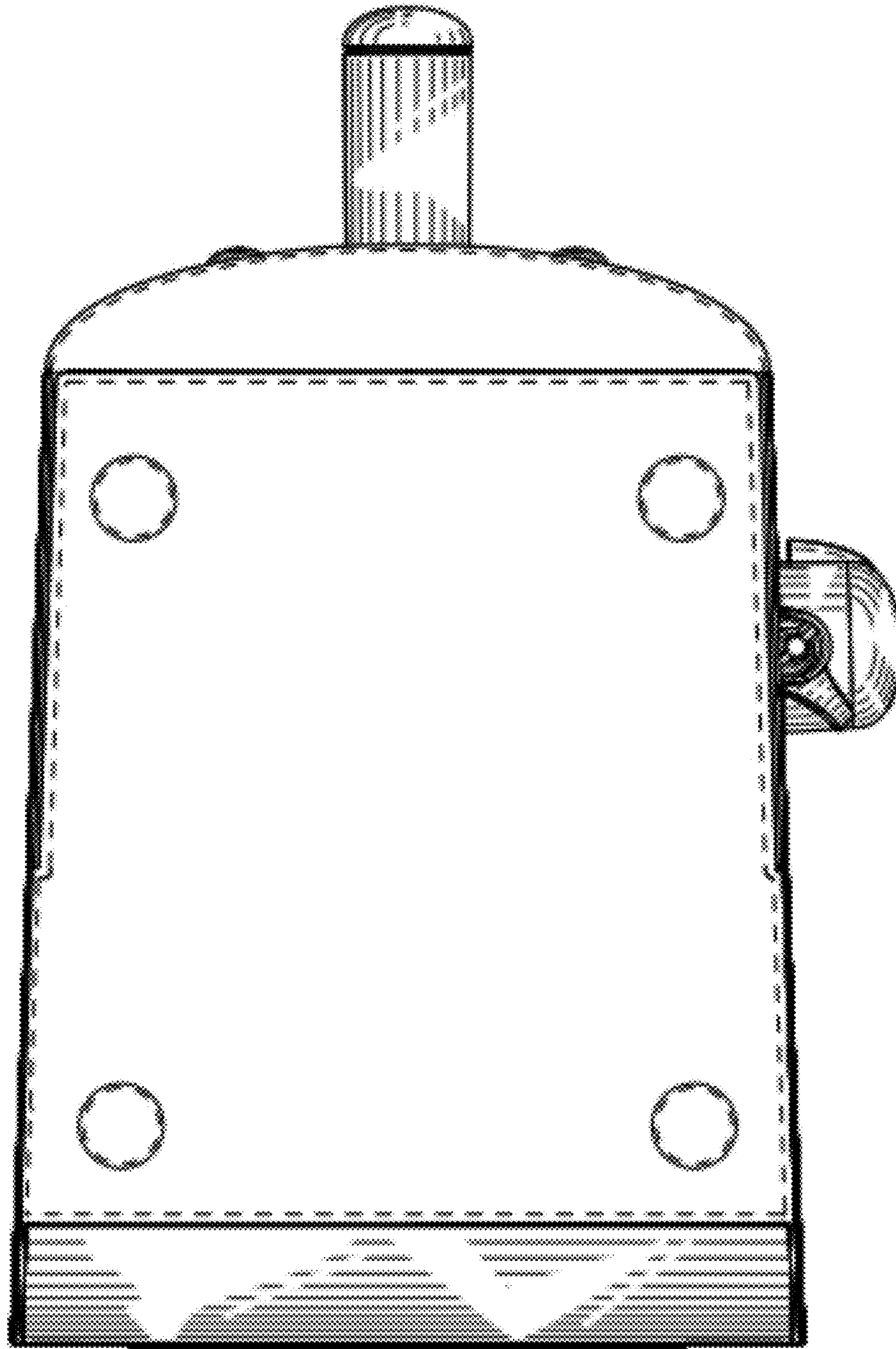


FIG. 7