



US00D675858S

(12) **United States Design Patent**  
**Farrell**

(10) **Patent No.:** **US D675,858 S**  
(45) **Date of Patent:** **\*\* Feb. 12, 2013**

(54) **GOLF CART SEAT COVER**

(76) Inventor: **Marsha H Farrell**, Raleigh, NC (US)

(\*\*) Term: **14 Years**

(21) Appl. No.: **29/419,220**

(22) Filed: **Apr. 26, 2012**

(51) **LOC (9) Cl.** ..... **06-13**

(52) **U.S. Cl.** ..... **D6/611**

(58) **Field of Classification Search** ..... D6/610,  
D6/611, 596, 601, 602, 603, 615, 617, 621;  
D7/332, 334-337; D12/401-405; 135/87,  
135/88.01, 95; 150/165-167, 158, 154; 280/770;  
296/136.01, 136.1, 136.11

See application file for complete search history.

(56) **References Cited**

**U.S. PATENT DOCUMENTS**

|              |     |         |            |         |
|--------------|-----|---------|------------|---------|
| 2,191,956    | A   | 2/1940  | Coldren    |         |
| 4,676,376    | A * | 6/1987  | Keiswetter | 206/494 |
| 5,217,275    | A   | 6/1993  | Ridge      |         |
| D359,411     | S * | 6/1995  | Wade       | D6/610  |
| 6,158,805    | A   | 12/2000 | Blaney     |         |
| 6,254,182    | B1  | 7/2001  | Townsend   |         |
| 6,279,993    | B1  | 8/2001  | Berthiaume |         |
| D484,351     | S   | 12/2003 | Bridge     |         |
| D498,108     | S   | 11/2004 | Bridge     |         |
| 6,926,334    | B1  | 8/2005  | Diehm      |         |
| 7,213,864    | B2  | 5/2007  | Gasper     |         |
| D610,855     | S * | 3/2010  | Siklosi    | D6/611  |
| D611,751     | S * | 3/2010  | Siklosi    | D6/611  |
| D635,811     | S * | 4/2011  | Leung      | D6/610  |
| 8,042,195    | B1  | 10/2011 | Massey     |         |
| 2012/0023635 | A1  | 2/2012  | Ehler      |         |

**OTHER PUBLICATIONS**

Baby Sew-N-Sew, Golf Items, [http://babysew-n-sew.com/Golf\\_Cart\\_Seat\\_Covers.html](http://babysew-n-sew.com/Golf_Cart_Seat_Covers.html), available as of Mar. 2012.

Cabela's, Cabela's Golf Cart Neoprene Camo Seat Covers, <http://www.cabelas.com/product/Cabelas-Golf-Cart-Neoprene-Camo-Seat-Covers/747209.uts>, available as of Mar. 2012.

Coverbonanza.com Golf Cart Seat Blanket, <http://www.coverbonanza.com/25172/583925/Golf-Cart-Accessories/Golf-Cart-Seat-Blanket.html>, available as of Mar. 2012.

Eric A. Rosenberg, Golf Gift Ideas, <http://ezinearticles.com/?Golf-Gift-Ideas&id=5485372>, submitted Dec. 2, 2010.

Target, Fairway Golf Car Seat Cover, <http://www.target.com/p/fairway-golf-car-seat-cover-sand/-/A-10556009>, available as of Jan. 2009.

Sittinprettycovers, Golf Cart Seat Cover, <http://www.etsy.com/listing/94428961/golf-cart-seat-cover>, available as of Mar. 2012.

Shopgetorganized, Classic Accessories Tan Golf Cart Seat Cover Blanket, <http://www.ebay.com/itm/Classic-Accessories-Tan-Golf-Cart-Seat-Cover-...>, available as of Mar. 2012.

Nif Tee Seat, Nif Tee Seat: The golf cart seat cover, <http://www.nifteeseat.com/>, available as of Mar. 2012.

Show No, show no, <http://showno.com/>, available as of Mar. 2012.

Tote Me Around, Golf Cart Seat Covers, <http://www.totemearound.com/golf-cart-seat-covers.html>, available as of Mar. 2012.

\* cited by examiner

*Primary Examiner* — Katrina A Betton

(74) *Attorney, Agent, or Firm* — Olive & Olive, P.A.

(57) **CLAIM**

The ornamental design for a golf cart seat cover, as shown and described.

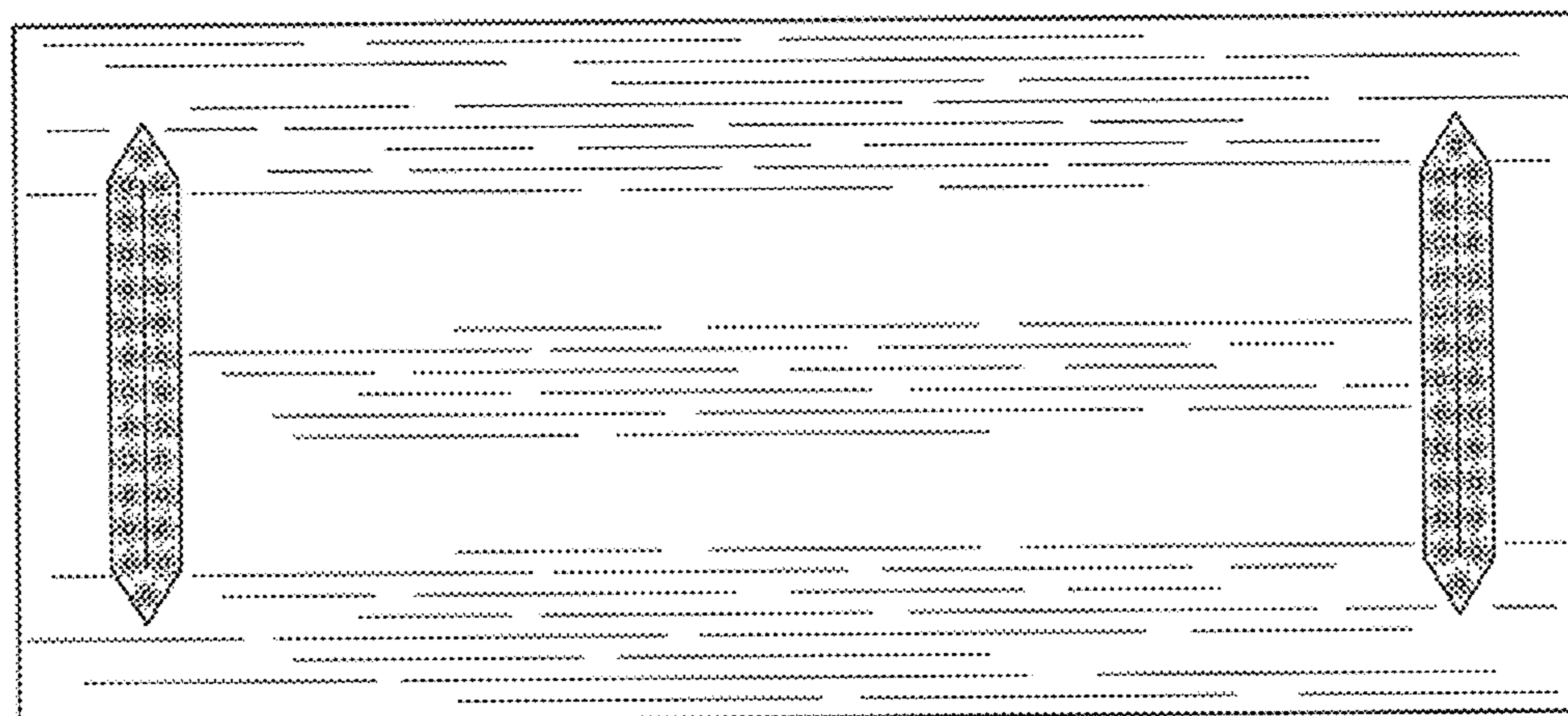
**DESCRIPTION**

FIG. 1 is a top perspective view of the golf cart seat cover showing my design as it fits on a golf cart; and, FIG. 2 is a top view of the golf cart seat cover.

The bottom and sides of the golf cart seat cover are plain and unadorned and do not form a part of my design.

The broken lines showing flowers represent optional artwork that may be added to the design, but they are for illustrative purposes only and form no part of the claimed design.

**1 Claim, 2 Drawing Sheets**



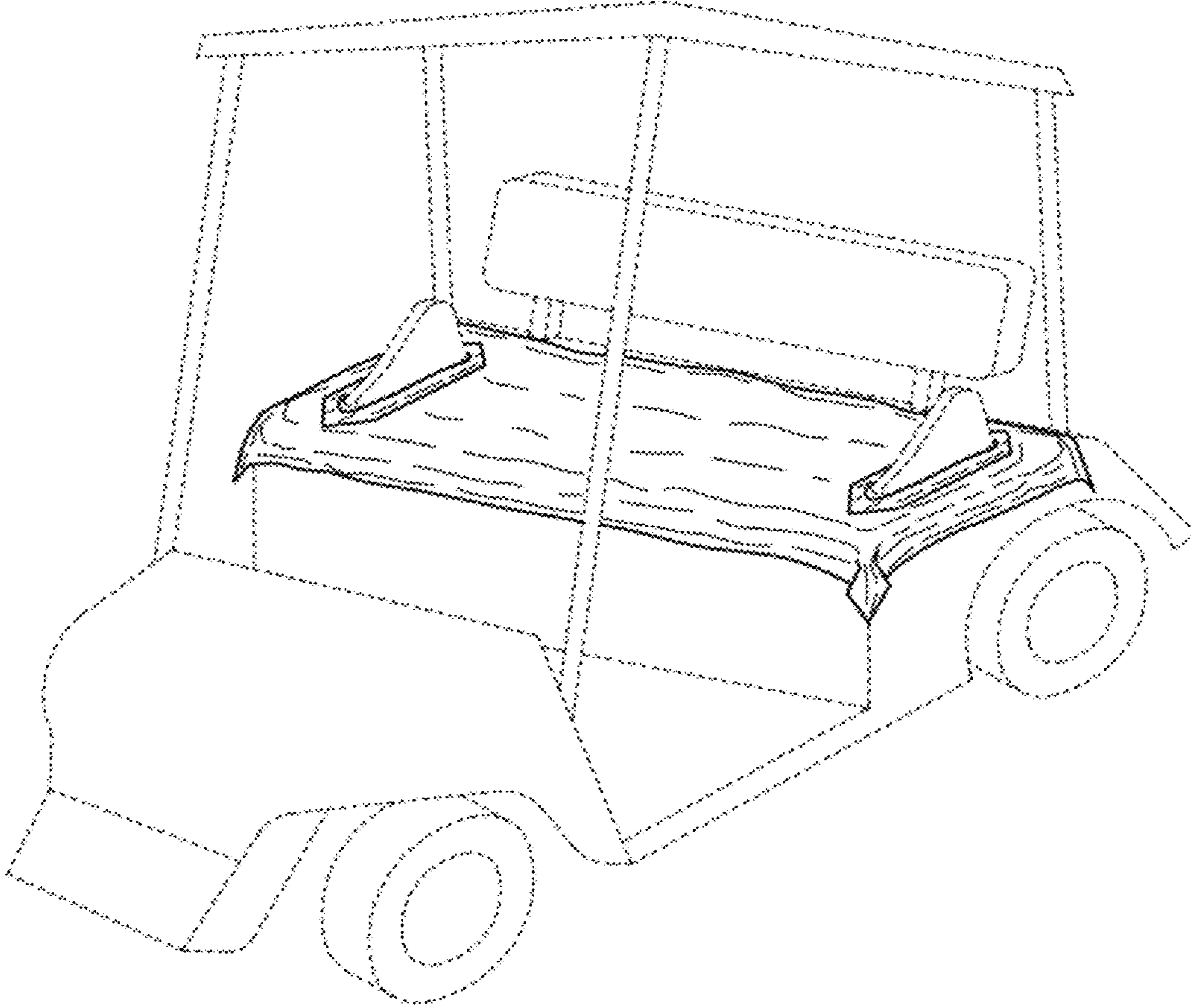


Fig. 1



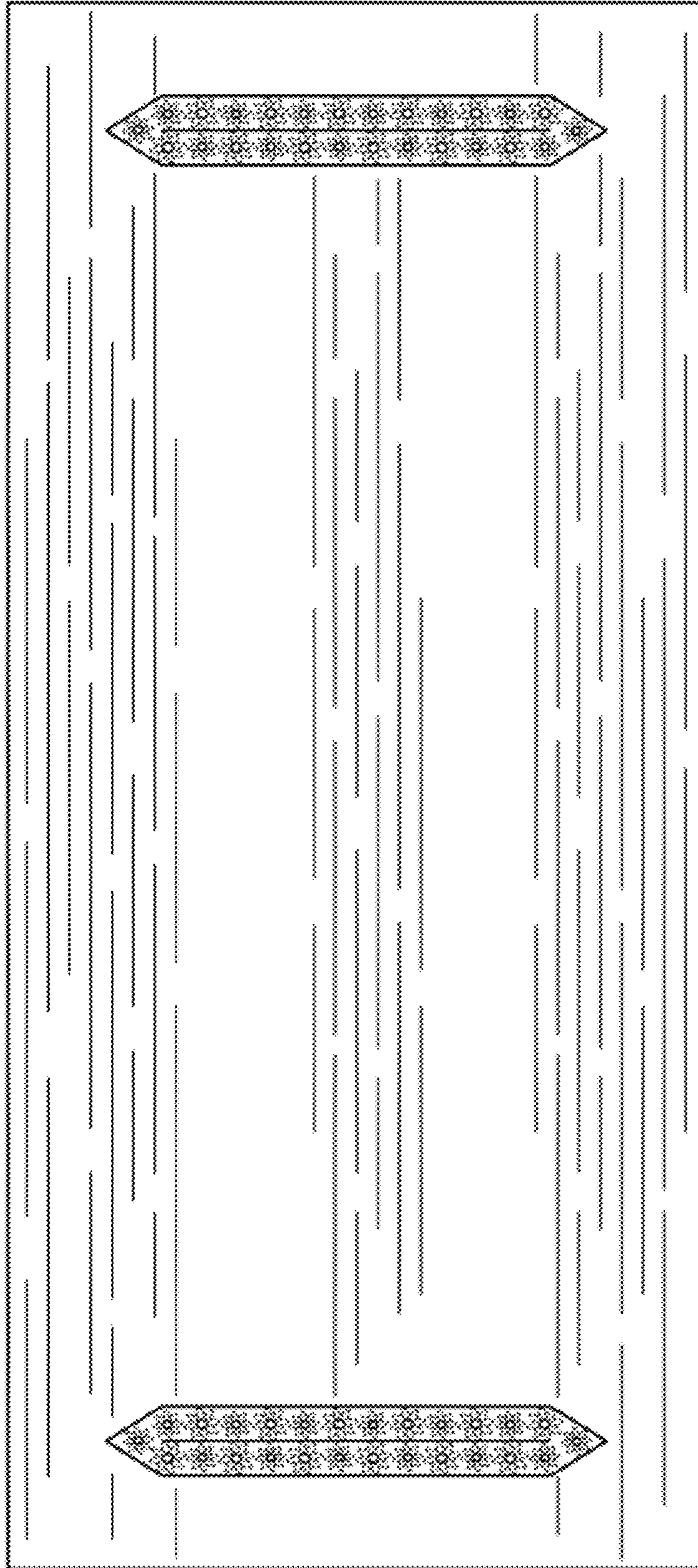


Fig. 2