



US00D675857S

(12) **United States Design Patent**  
**Eshom**

(10) **Patent No.:** **US D675,857 S**

(45) **Date of Patent:** **\*\* Feb. 12, 2013**

(54) **ARM REST COVER**

(76) **Inventor:** **Colleen M. Eshom**, Bullhead City, AZ  
(US)

(\*\*) **Term:** **14 Years**

(21) **Appl. No.:** **29/396,690**

(22) **Filed:** **Jul. 5, 2011**

(51) **LOC (9) Cl.** ..... **06-13**

(52) **U.S. Cl.** ..... **D6/610**

(58) **Field of Classification Search** ..... D6/610,  
D6/611, 596, 601, 602, 603, 615, 617, 621;  
D7/332, 334-337; D12/401-405; 135/87,  
135/88.01, 95; 150/165-167, 158, 154; 280/770;  
296/136.01, 136.1, 136.11  
See application file for complete search history.

(56) **References Cited**

**U.S. PATENT DOCUMENTS**

4,727,898	A *	3/1988	Guma	135/87
4,940,276	A *	7/1990	Madison	296/136.11
5,029,933	A *	7/1991	Gillem	296/136.11
5,102,183	A *	4/1992	Swartz	296/136.1
D331,211	S *	11/1992	Harris	D12/401
5,356,191	A *	10/1994	Sheehan	296/95.1
5,409,286	A *	4/1995	Huang	296/136.04
5,435,362	A *	7/1995	Chiang	150/166
D393,828	S *	4/1998	Threats, Sr.	D12/401
D411,162	S *	6/1999	Richter	D12/401
6,070,629	A *	6/2000	Whiteside	150/166
D433,661	S *	11/2000	Hanson	D12/401

6,427,709	B1 *	8/2002	Montes	135/88.07
6,516,844	B1 *	2/2003	Henry	150/167
6,648,396	B2 *	11/2003	Monahan et al.	296/97.7
6,705,337	B1 *	3/2004	Peckham	135/88.07
D489,035	S *	4/2004	Butler	D12/401
D496,322	S *	9/2004	Farney et al.	D12/401
7,431,375	B1 *	10/2008	Julius	296/95.1
D602,839	S *	10/2009	Carrow	D12/401
D638,777	S *	5/2011	Poland et al.	D12/402
D658,565	S *	5/2012	Akmal	D12/401
2005/0242558	A1 *	11/2005	Cohen	280/770
2010/0219657	A1 *	9/2010	Kinley	296/100.01
2012/0132377	A1 *	5/2012	Donaldson	160/370.21

\* cited by examiner

*Primary Examiner* — Katrina A Betton

(74) *Attorney, Agent, or Firm* — Michael Ries

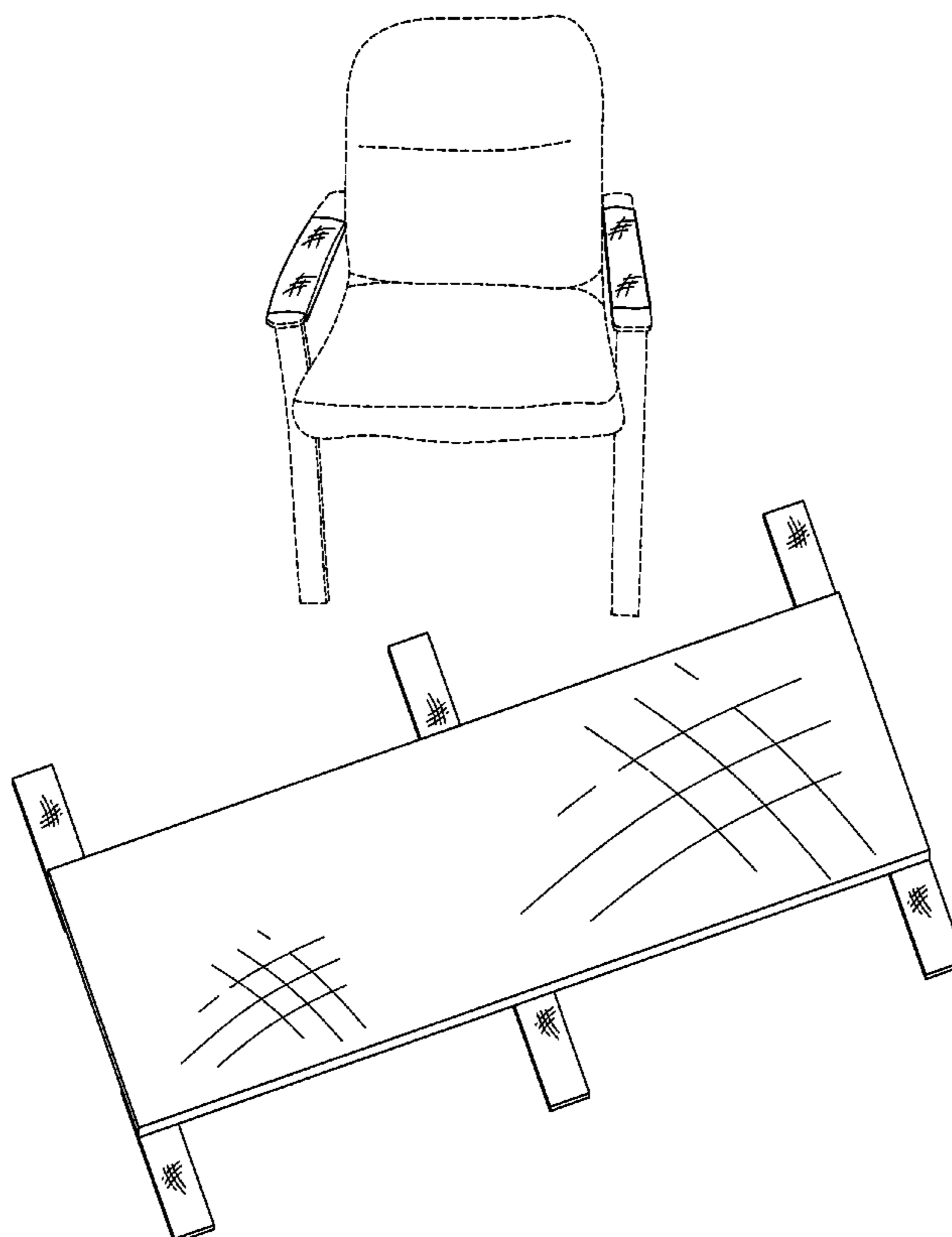
(57) **CLAIM**

The ornamental design for an arm rest cover, as shown and described.

**DESCRIPTION**

FIG. 1—is a top perspective view with two arm rest covers wrapped around the arm rests of a chair;  
FIG. 2—is top perspective view;  
FIG. 3—is a bottom view;  
FIG. 4—is a top view;  
FIG. 5—is a side view; and,  
FIG. 6—is an end view.

**1 Claim, 6 Drawing Sheets**



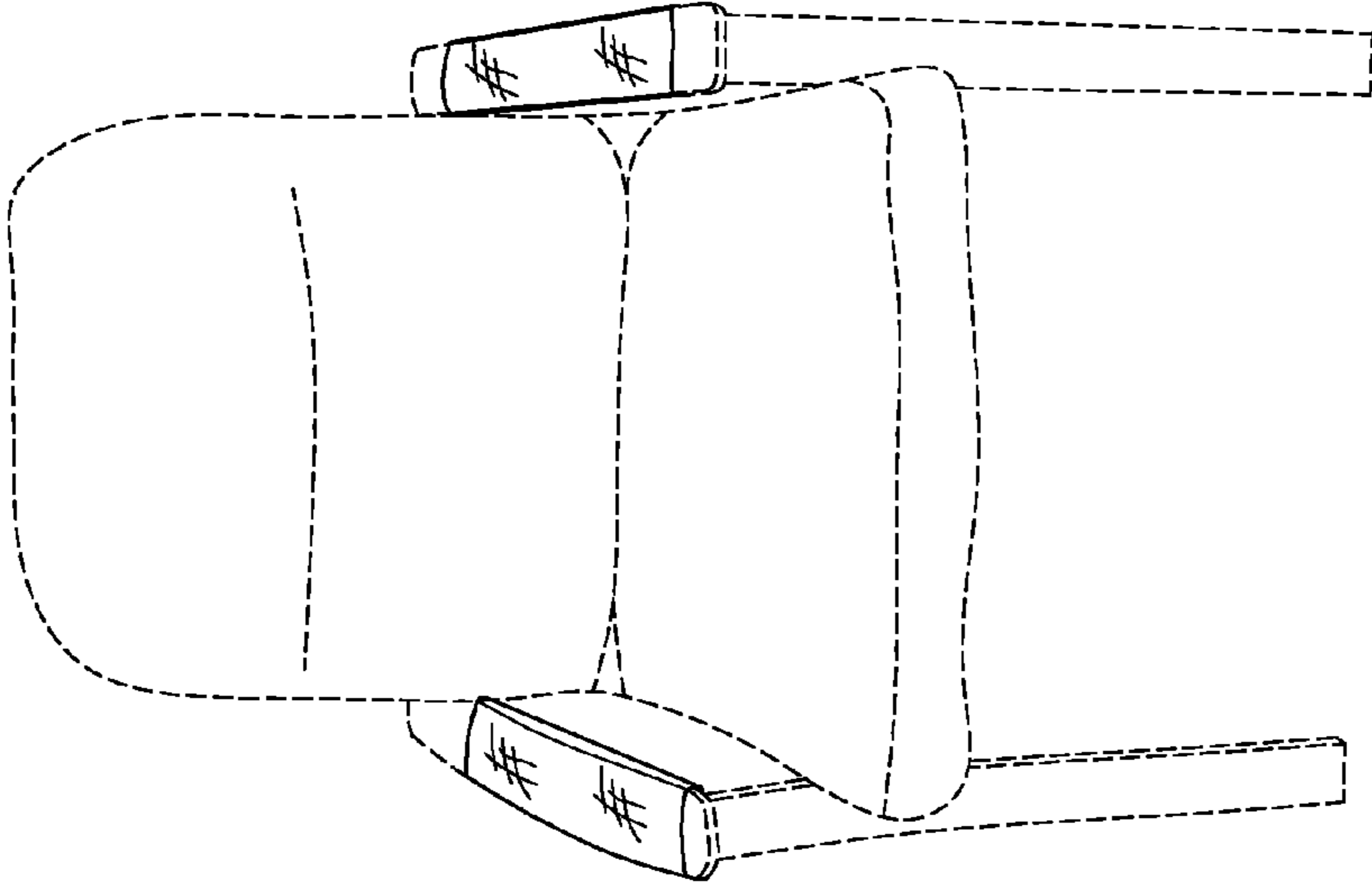


FIG. 1

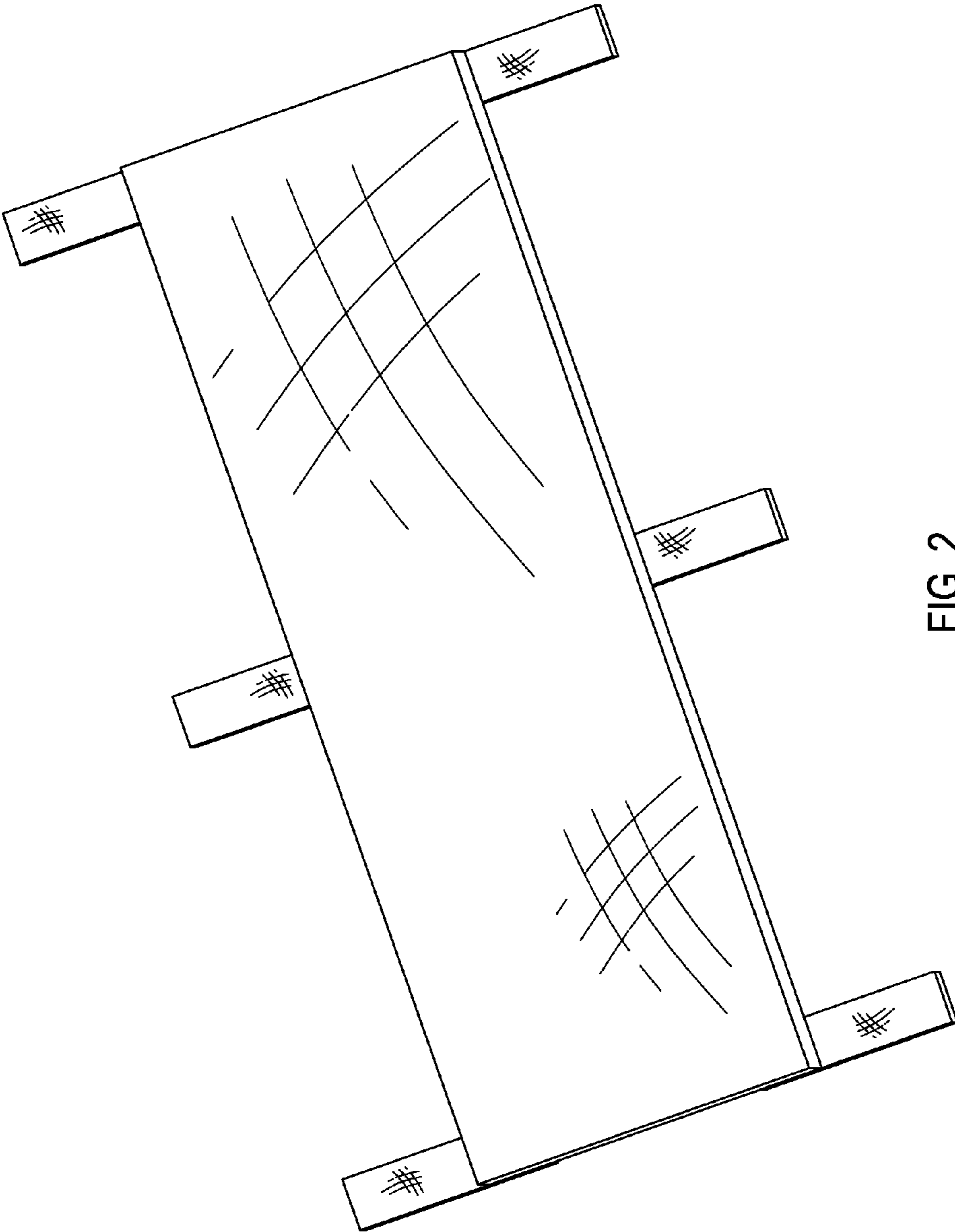


FIG. 2

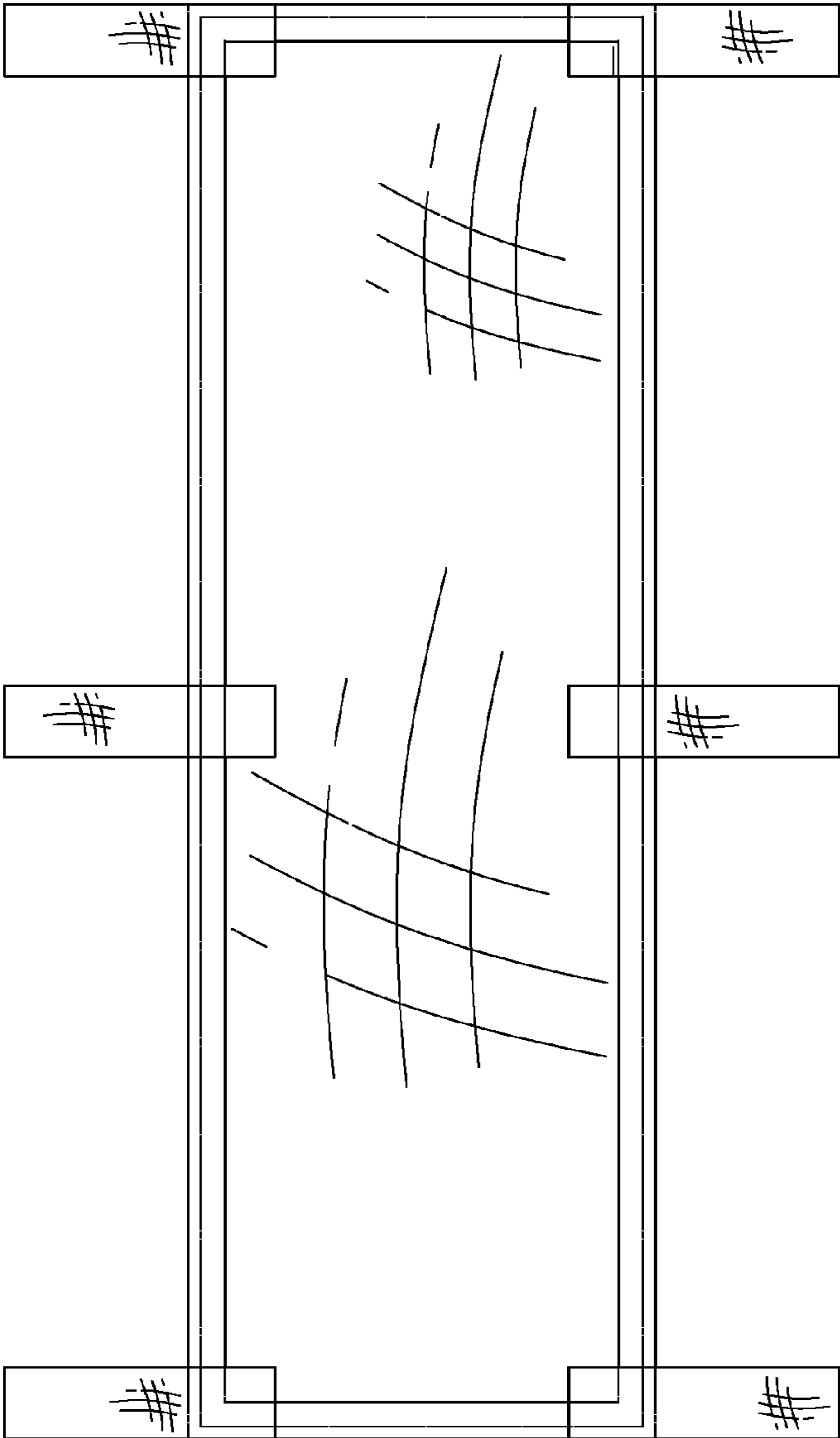


FIG. 3

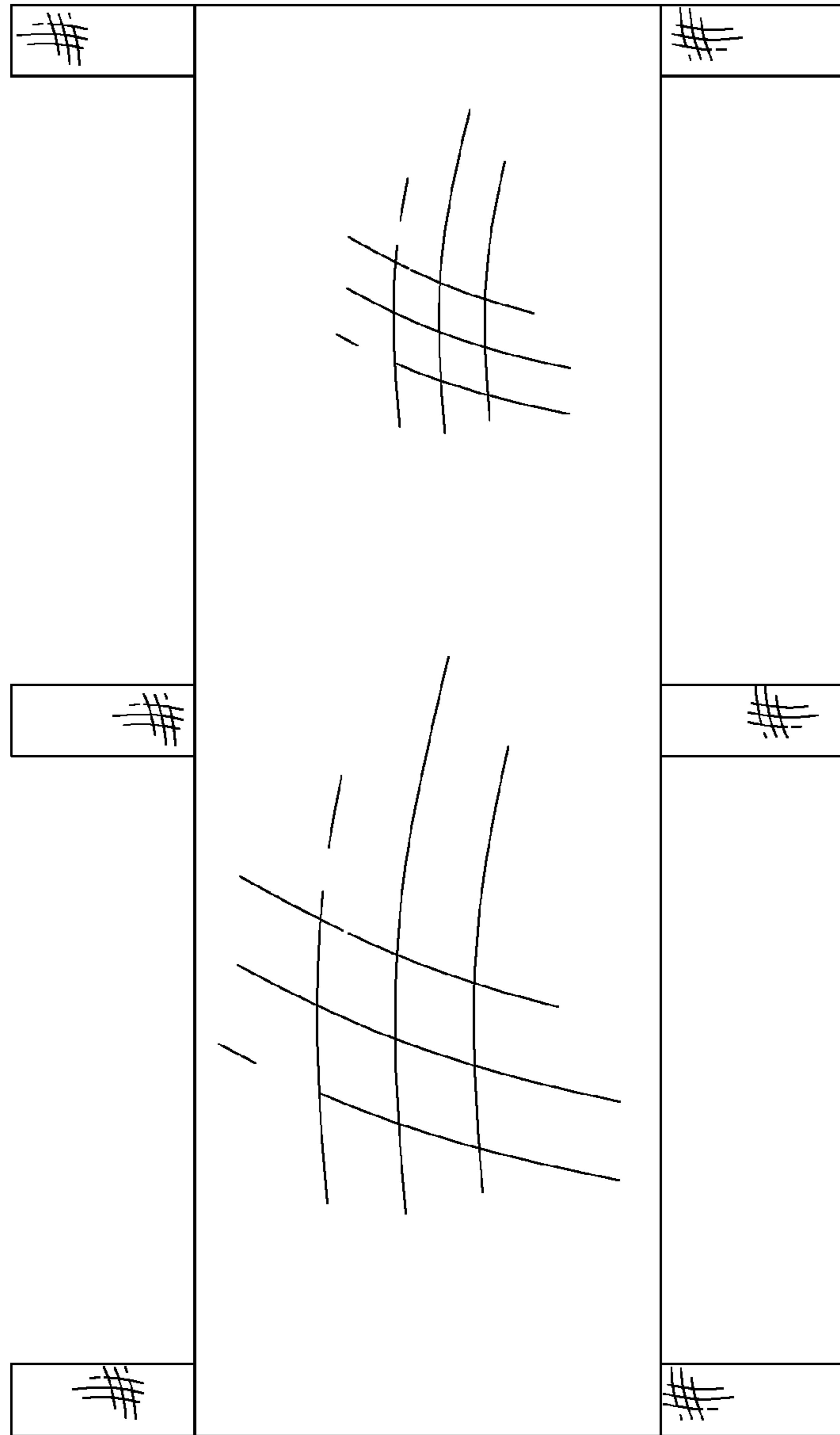


FIG. 4



FIG. 5



FIG. 6