



US00D675856S

(12) **United States Design Patent**  
**Yiannaki**

(10) **Patent No.:** **US D675,856 S**

(45) **Date of Patent:** **\*\* Feb. 12, 2013**

(54) **FOAM SUPPORT WITH COIL ENCLOSURES FOR USE IN A MATTRESS OR A CUSHION**

(75) Inventor: **Andrew Costas Yiannaki**, Raleigh, NC (US)

(73) Assignee: **Nomaco Inc.**, Zebulon, NC (US)

(\*\*) Term: **14 Years**

(21) Appl. No.: **29/365,131**

(22) Filed: **Jul. 2, 2010**

(51) **LOC (9) Cl.** ..... **06-09**

(52) **U.S. Cl.** ..... **D6/606**

(58) **Field of Classification Search** ..... D6/606,  
D6/605, 604, 595, 596, 601, 323, 570, 572,  
D6/553, 554; 5/739, 253, 716-721; D8/395,  
D8/394, 396, 373, 382, 372; 248/316.7,  
248/74.2; 211/68, 60.1, 13, 70.6, 63, 66,  
211/69.1, 89.01, 113

See application file for complete search history.

(56) **References Cited**

**U.S. PATENT DOCUMENTS**

676,573	A *	6/1901	Bowers	.....	211/70.6
2,615,577	A *	10/1952	Bartleman	.....	211/70.6
2,826,769	A *	3/1958	Drews	.....	5/717
3,822,426	A *	7/1974	Mistarz	.....	5/717
3,894,706	A *	7/1975	Mizusawa	.....	248/68.1
D241,314	S *	9/1976	Hug	.....	D8/395
D245,747	S *	9/1977	Ikeda	.....	D6/606
5,005,793	A *	4/1991	Shillington	.....	248/231.81
5,398,820	A *	3/1995	Kiss	.....	211/13.1
D363,016	S *	10/1995	Sippelle et al.	.....	D8/395
5,456,437	A *	10/1995	Chander et al.	.....	248/316.7
5,462,212	A *	10/1995	Hertel, Jr.	.....	224/570
5,537,699	A *	7/1996	Bonaddio et al.	.....	5/739
D376,309	S *	12/1996	Takai	.....	D8/380
5,642,557	A *	7/1997	Clews	.....	24/339
5,787,532	A *	8/1998	Langer et al.	.....	5/717
D413,035	S *	8/1999	Weterrings et al.	.....	D6/572
6,109,569	A *	8/2000	Sakaida	.....	248/75

(Continued)

**FOREIGN PATENT DOCUMENTS**

WO 2012076978 A1 6/2012  
WO 2012078398 A1 6/2012

(Continued)

**OTHER PUBLICATIONS**

“Corner ‘S’ Tube 4.5 inch Final Spec” Product Specifications, Nomaco Inc., Mar. 2, 2010, 1 page.

(Continued)

*Primary Examiner* — Lucy Lieberman

(74) *Attorney, Agent, or Firm* — Withrow & Terranova, PLLC

(57) **CLAIM**

The ornamental design for foam support with coil enclosures for use in a mattress or a cushion, as shown and described.

**DESCRIPTION**

FIG. 1 is a top perspective view of a first embodiment of a foam support with coil enclosures for use in a mattress or a cushion showing my new design;

FIG. 2 is a front view of the foam support with coil enclosures of FIG. 1;

FIG. 3 is a left side view of the foam support with coil enclosures of FIG. 1, and a right side view is identical thereto; FIG. 4 is a top view of the foam support with coil enclosures of FIG. 1;

FIG. 5 is bottom view of the foam support with coil enclosures of FIG. 1;

FIG. 6 is a top perspective view of a second embodiment of the foam support with coil enclosures for use in a mattress or a cushion;

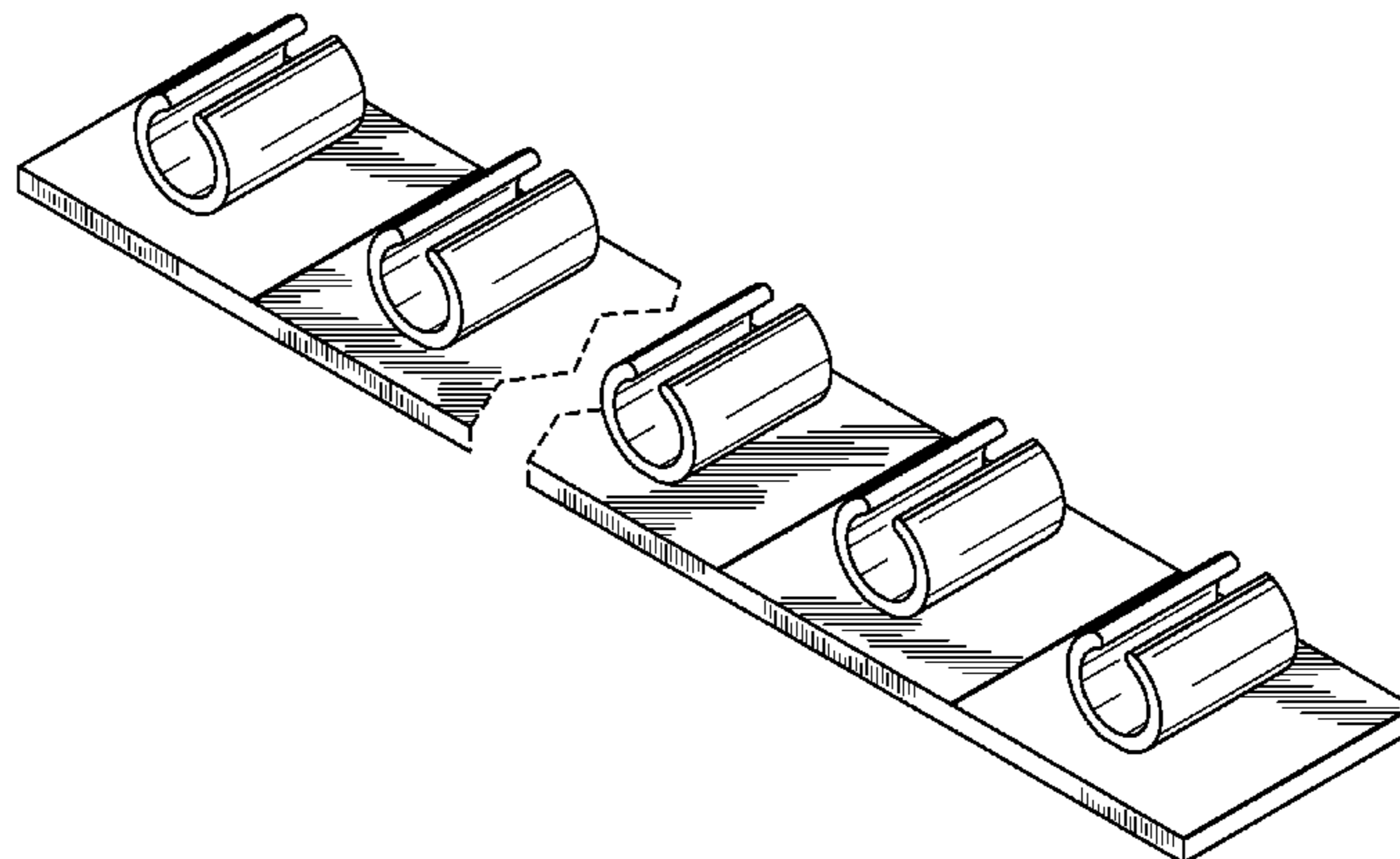
FIG. 7 is a front view of the foam support with coil enclosures of FIG. 6;

FIG. 8 is a left side view of the foam support with coil enclosures of FIG. 6, and a right side view is identical thereto; FIG. 9 is a top view of the foam support with coil enclosures of FIG. 6; and,

FIG. 10 is bottom view of the foam support with coil enclosures of FIG. 6.

Both embodiments of the claimed design are shown with a symbolic break. The appearance of any portion of the article between the break lines forms no part of the claimed design. The broken lines in the drawings do not form part of the claimed design.

**1 Claim, 10 Drawing Sheets**



# US D675,856 S

Page 2

## U.S. PATENT DOCUMENTS

6,122,787 A \* 9/2000 Kao ..... 5/723  
6,263,533 B1 \* 7/2001 Dimitry et al. .... 5/717  
D454,740 S \* 3/2002 Baggott ..... D6/534  
6,568,014 B1 \* 5/2003 Sabalasky et al. .... 5/717  
7,036,173 B2 \* 5/2006 Gladney ..... 5/730  
7,082,635 B2 \* 8/2006 Barman et al. .... 5/717  
7,093,858 B1 \* 8/2006 Russell ..... 285/28  
7,185,770 B1 \* 3/2007 Roten ..... 211/70.6  
7,251,847 B2 \* 8/2007 Wells ..... 5/716  
D581,715 S \* 12/2008 Scheuch ..... D6/606  
7,644,461 B2 1/2010 Lee  
D612,188 S \* 3/2010 Yiannaki ..... D6/606  
7,805,790 B2 \* 10/2010 DeMoss ..... 5/716  
7,841,031 B2 \* 11/2010 Rawls-Meehan ..... 5/719  
7,845,036 B2 \* 12/2010 Rinchetti ..... 5/739  
D640,535 S \* 6/2011 Austro ..... D8/382  
D665,449 S \* 8/2012 Guirlinger ..... D19/83  
8,266,745 B2 9/2012 Mossbeck  
2004/0182802 A1 \* 9/2004 Paul ..... 211/75  
2005/0246839 A1 \* 11/2005 Niswonger ..... 5/716

2007/0118987 A1 5/2007 Gladney et al.  
2010/0071136 A1 3/2010 Weber  
2011/0179579 A1 \* 7/2011 Henderson et al. .... 5/717  
2012/0167312 A1 \* 7/2012 Sobran et al. .... 5/739  
2012/0175829 A1 7/2012 Bullard  
2012/0180224 A1 \* 7/2012 DeMoss et al. .... 5/717

## FOREIGN PATENT DOCUMENTS

WO 2012099812 A1 7/2012  
WO 2012099888 A1 7/2012  
WO 2012099936 A1 7/2012  
WO 2012155131 A1 11/2012

## OTHER PUBLICATIONS

“C-Clip 5.0 inch” Product Specifications, Nomaco Inc., Jul. 9, 2009,  
3 pages.  
“Ultra Corner II 5.5 inch” Product Specifications, Nomaco Inc., Mar.  
3, 2010, 1 page.

\* cited by examiner

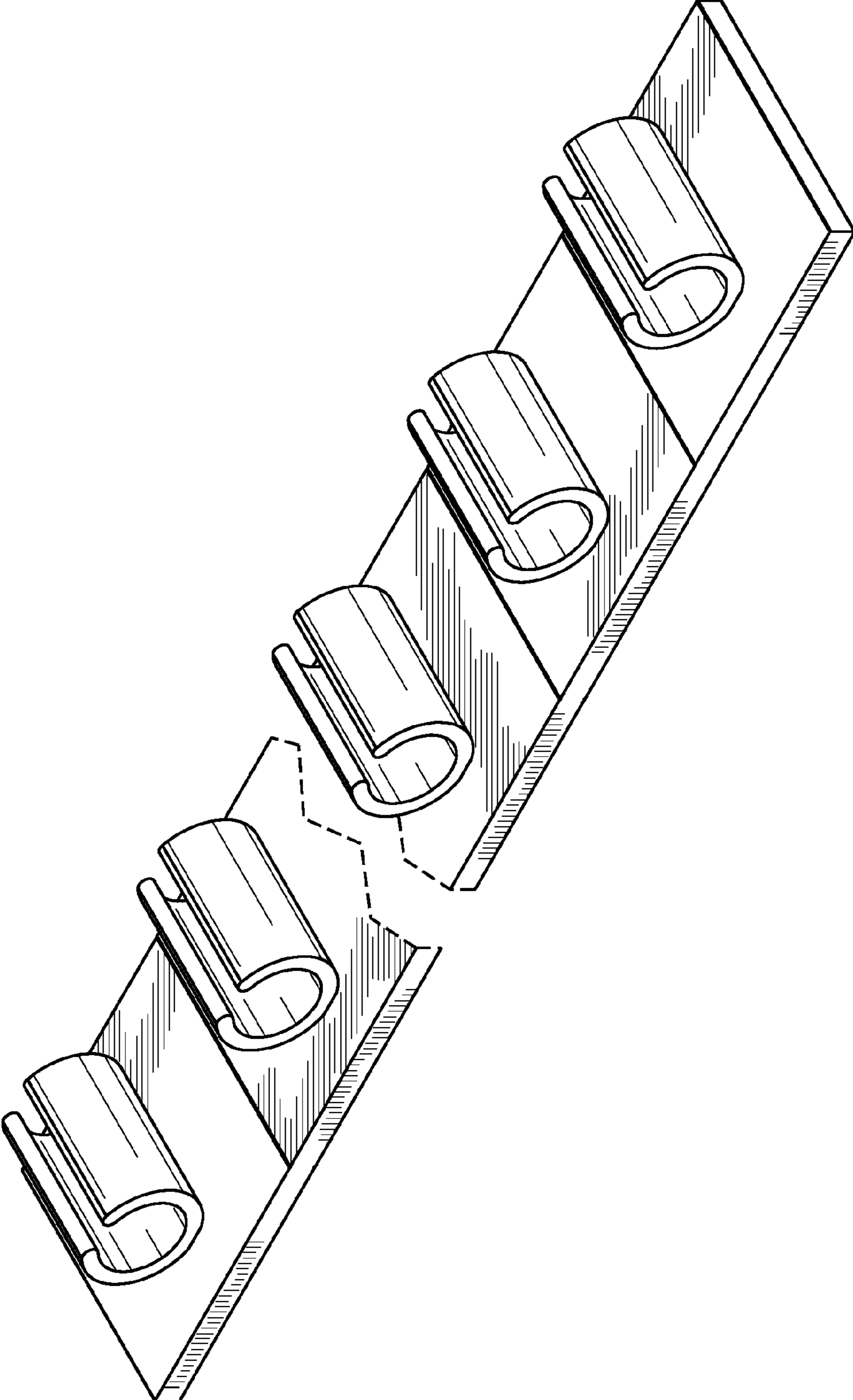


FIG. 1

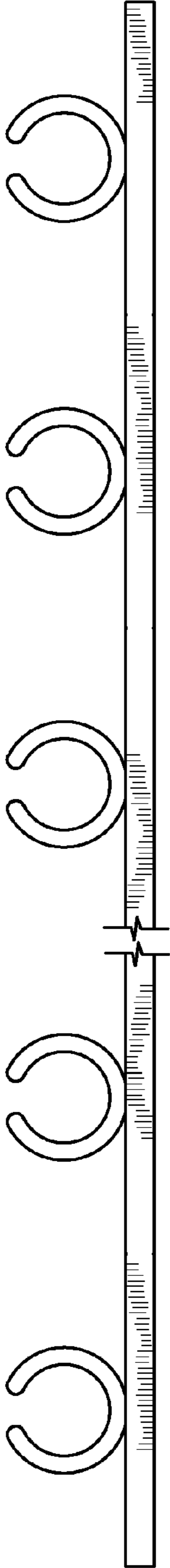
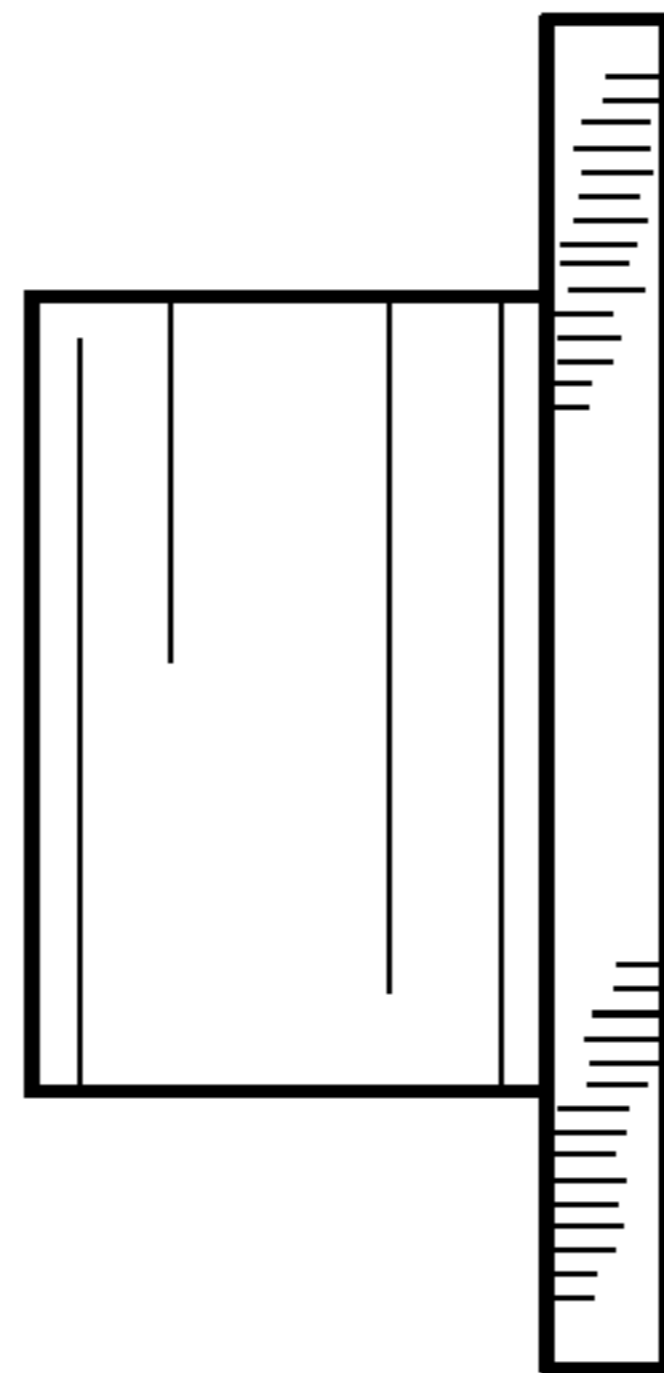
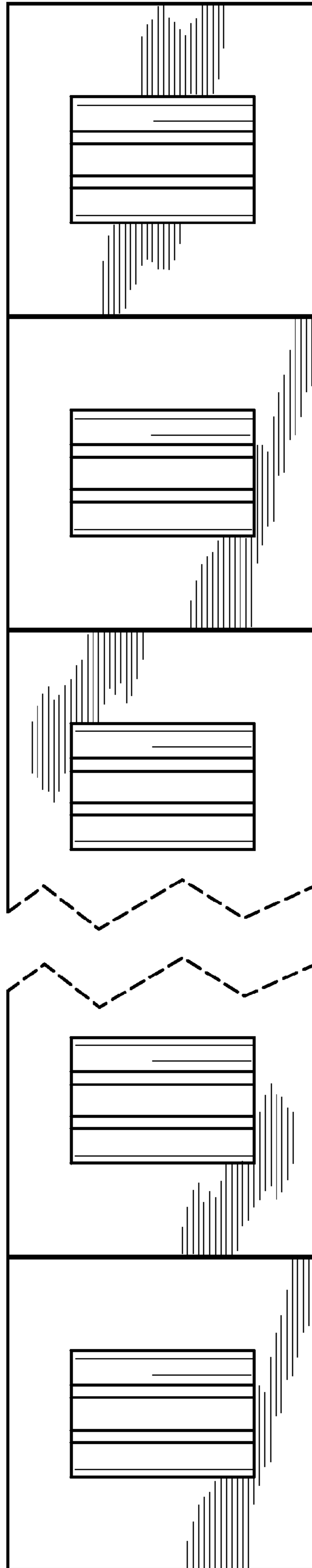


FIG. 2



**FIG. 3**



**FIG. 4**

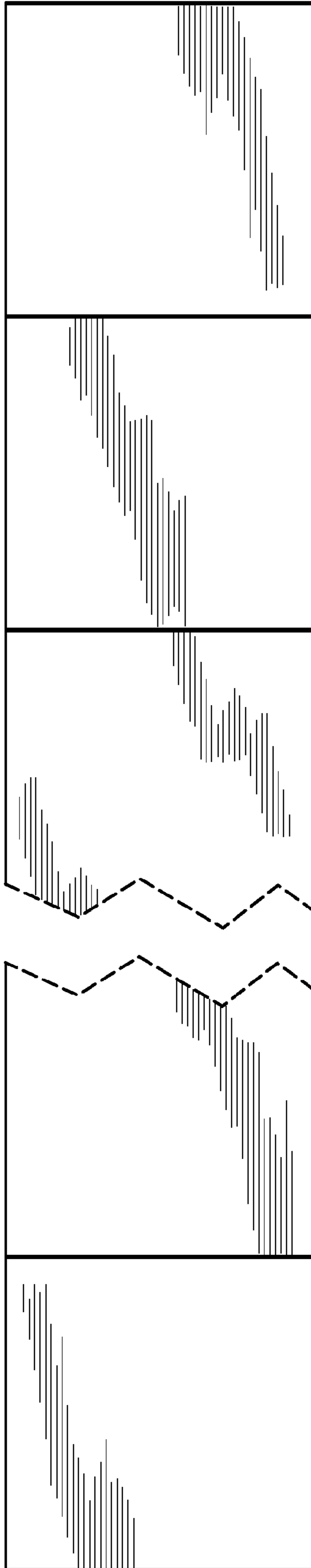


FIG. 5

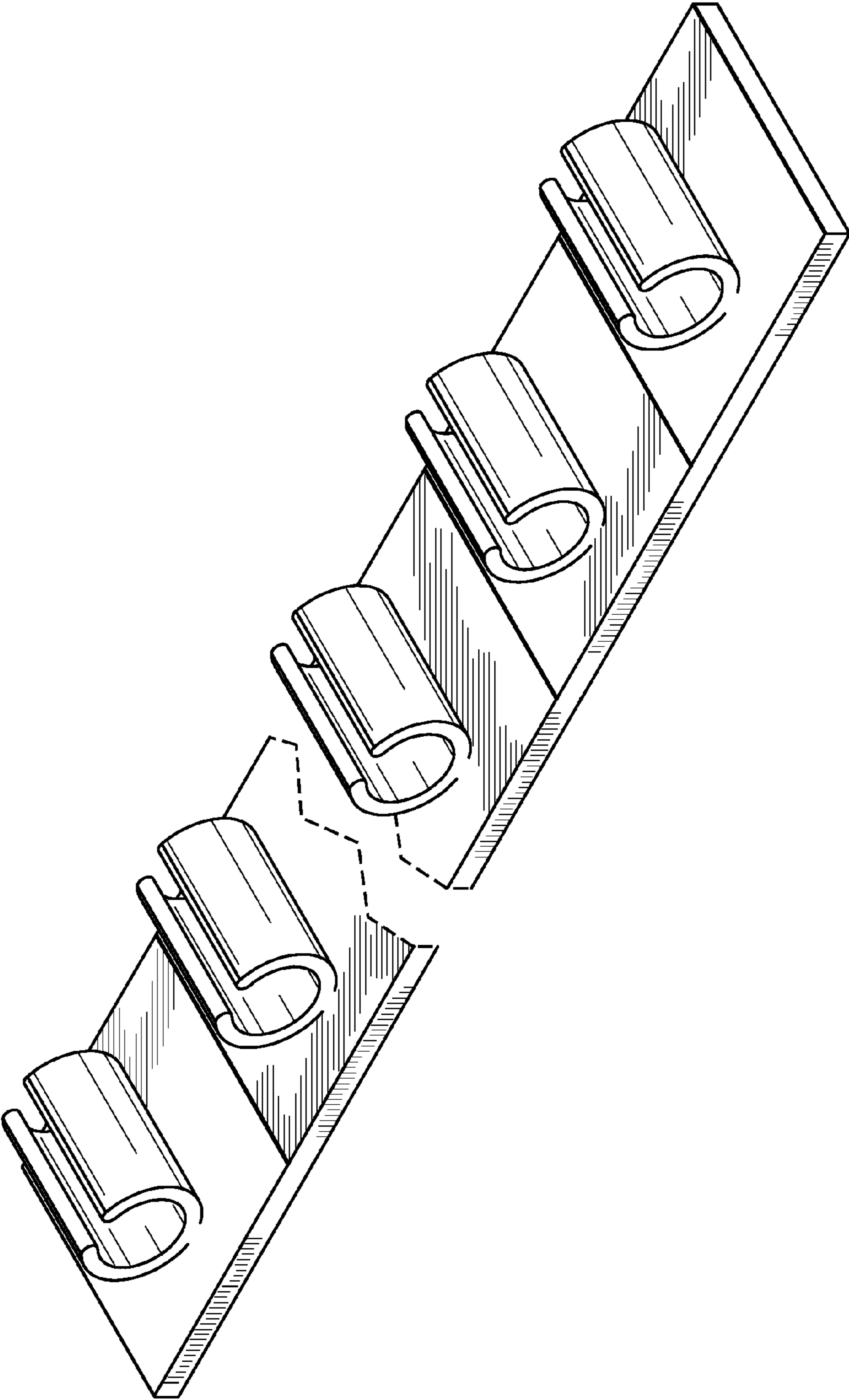


FIG. 6



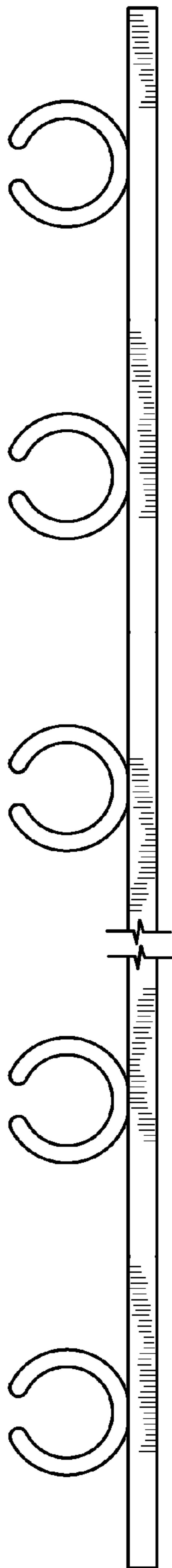
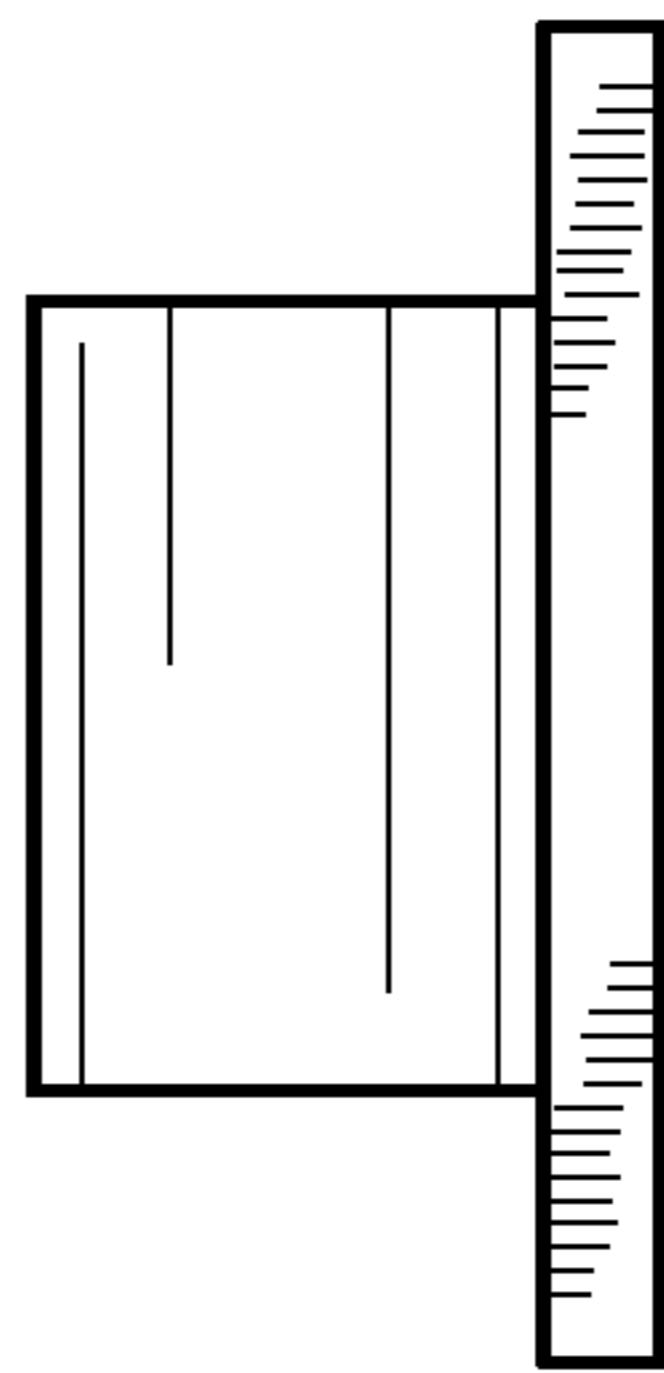


FIG. 7



**FIG. 8**

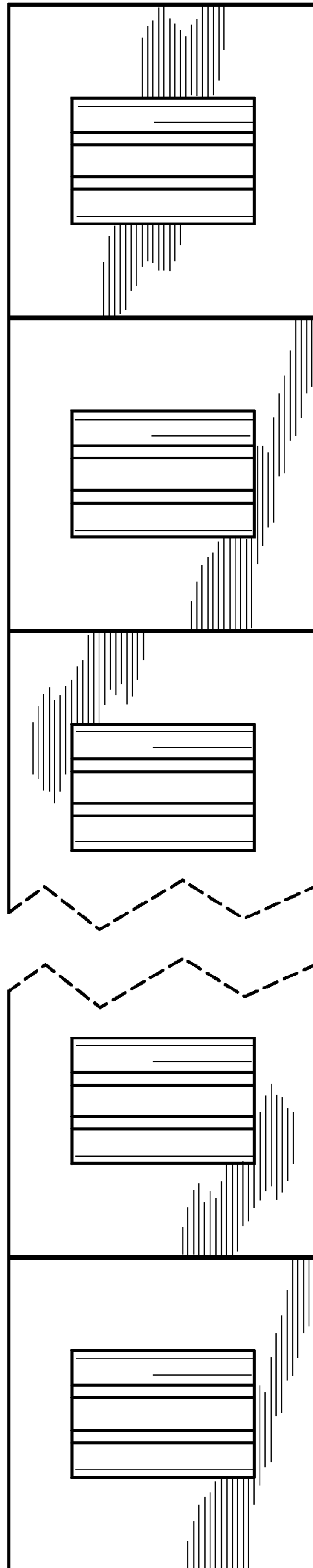
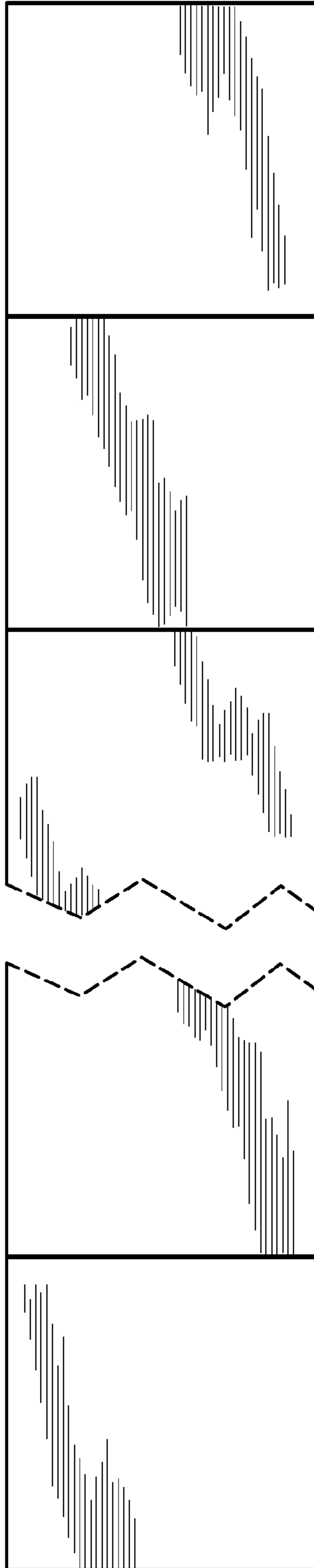


FIG. 9



**FIG. 10**