

US00D675853S

(12) **United States Design Patent**
Bunoz

(10) **Patent No.:** **US D675,853 S**
(45) **Date of Patent:** **** Feb. 12, 2013**

(54) **SOAP DISPENSER**

(56) **References Cited**

(75) Inventor: **Etienne Bunoz**, Hailsham (GB)
(73) Assignee: **Evonik Stockhausen GmbH**, Krefeld (DE)
(**) Term: **14 Years**
(21) Appl. No.: **29/422,148**
(22) Filed: **May 17, 2012**

U.S. PATENT DOCUMENTS

D512,863	S	*	12/2005	Bowes et al.	D6/545
D568,659	S	*	5/2008	Ophardt et al.	D6/545
D588,388	S	*	3/2009	Crawford	D6/545
D591,544	S	*	5/2009	Franjesevic et al.	D6/545
D620,292	S	*	7/2010	Kim	D6/545
D628,421	S	*	12/2010	Ophardt et al.	D6/545
D631,681	S	*	2/2011	Ciavarella et al.	D6/545
D643,237	S	*	8/2011	Reynolds et al.	D6/545

* cited by examiner

Primary Examiner — Brian N Vinson
(74) *Attorney, Agent, or Firm* — Paul D. Strain, Esq.; Strain & Strain PLLC

Related U.S. Application Data

(62) Division of application No. 29/403,362, filed on Oct. 5, 2011.

(57) **CLAIM**

The ornamental design for a soap dispenser, as shown and described.

DESCRIPTION

(30) **Foreign Application Priority Data**

Apr. 19, 2011 (WO) 598519001

(51) **LOC (9) Cl.** **23-02**

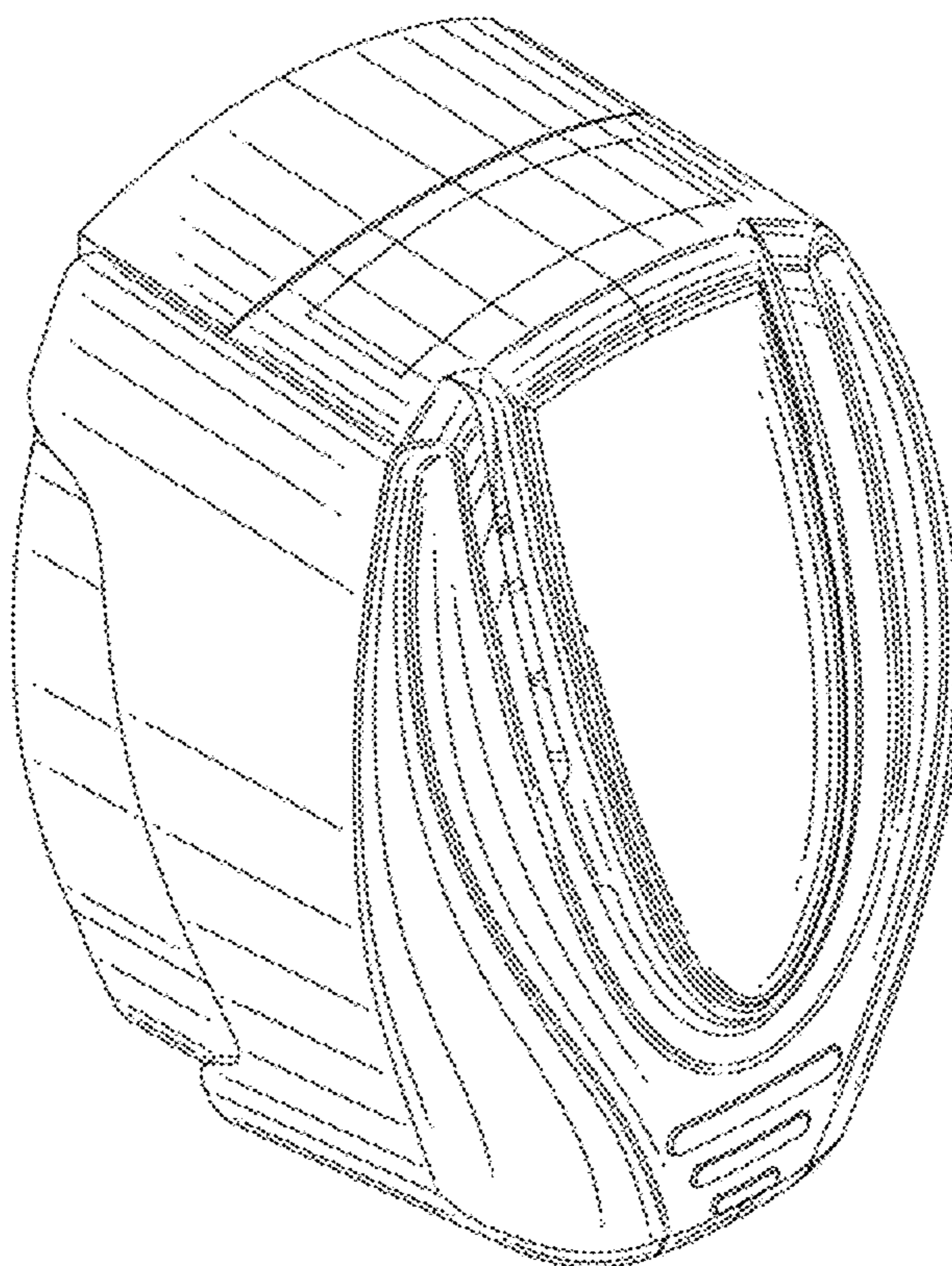
(52) **U.S. Cl.** **D6/545**

(58) **Field of Classification Search** D6/542-545;
221/208, 282, 283; 222/105, 173, 180, 181.1,
222/181.2, 181.3

FIG. 1 is a top, front, and left side perspective view of a soap dispenser showing my new design;
FIG. 2 is a front elevational view thereof;
FIG. 3 is a right side elevational view thereof;
FIG. 4 is a top plan view thereof; and,
FIG. 5 is a bottom plan view thereof.
The broken line disclosure in the views represents portions of the article in which the claimed design is embodied, but which form no part of the claimed design.

See application file for complete search history.

1 Claim, 5 Drawing Sheets



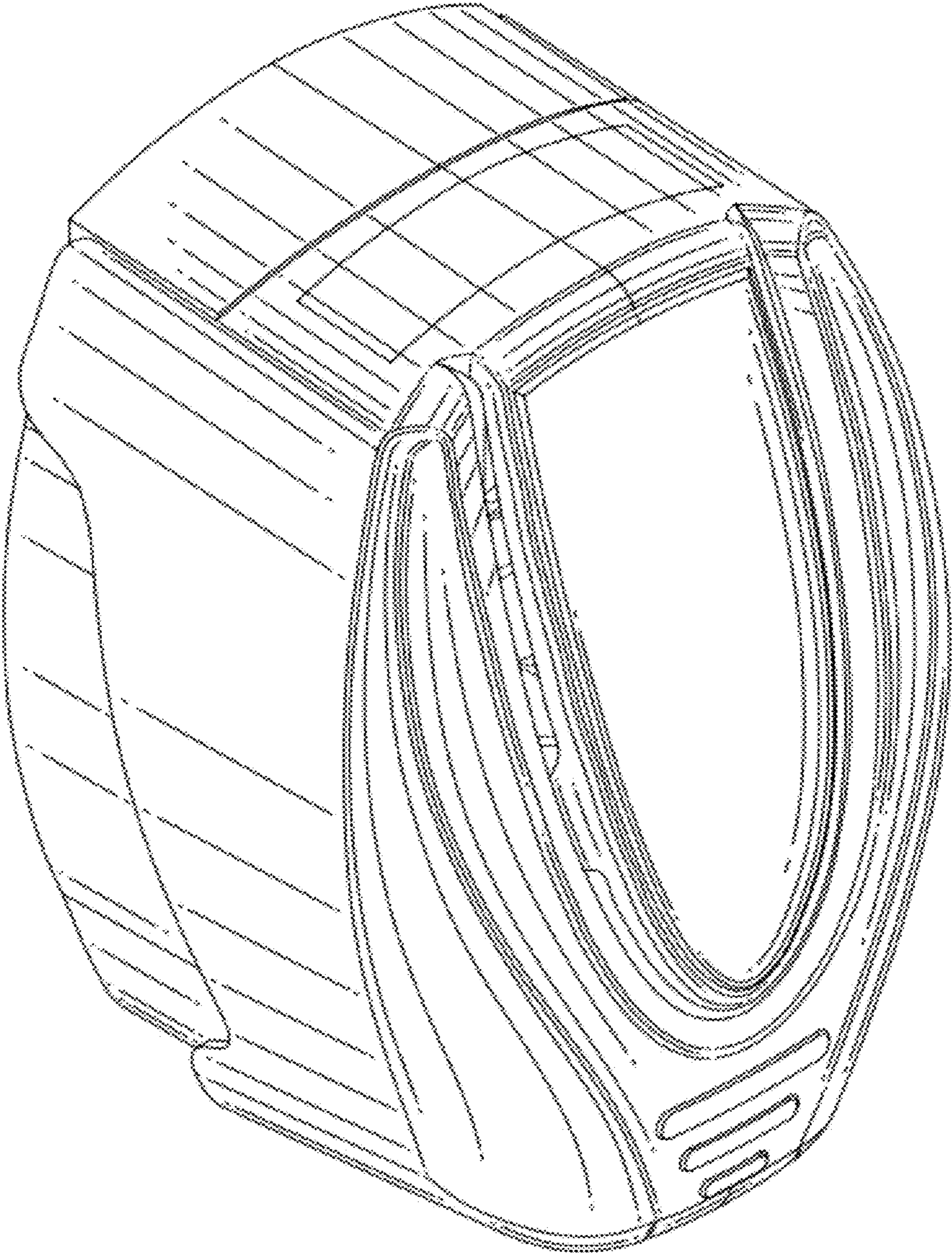


FIG. 1

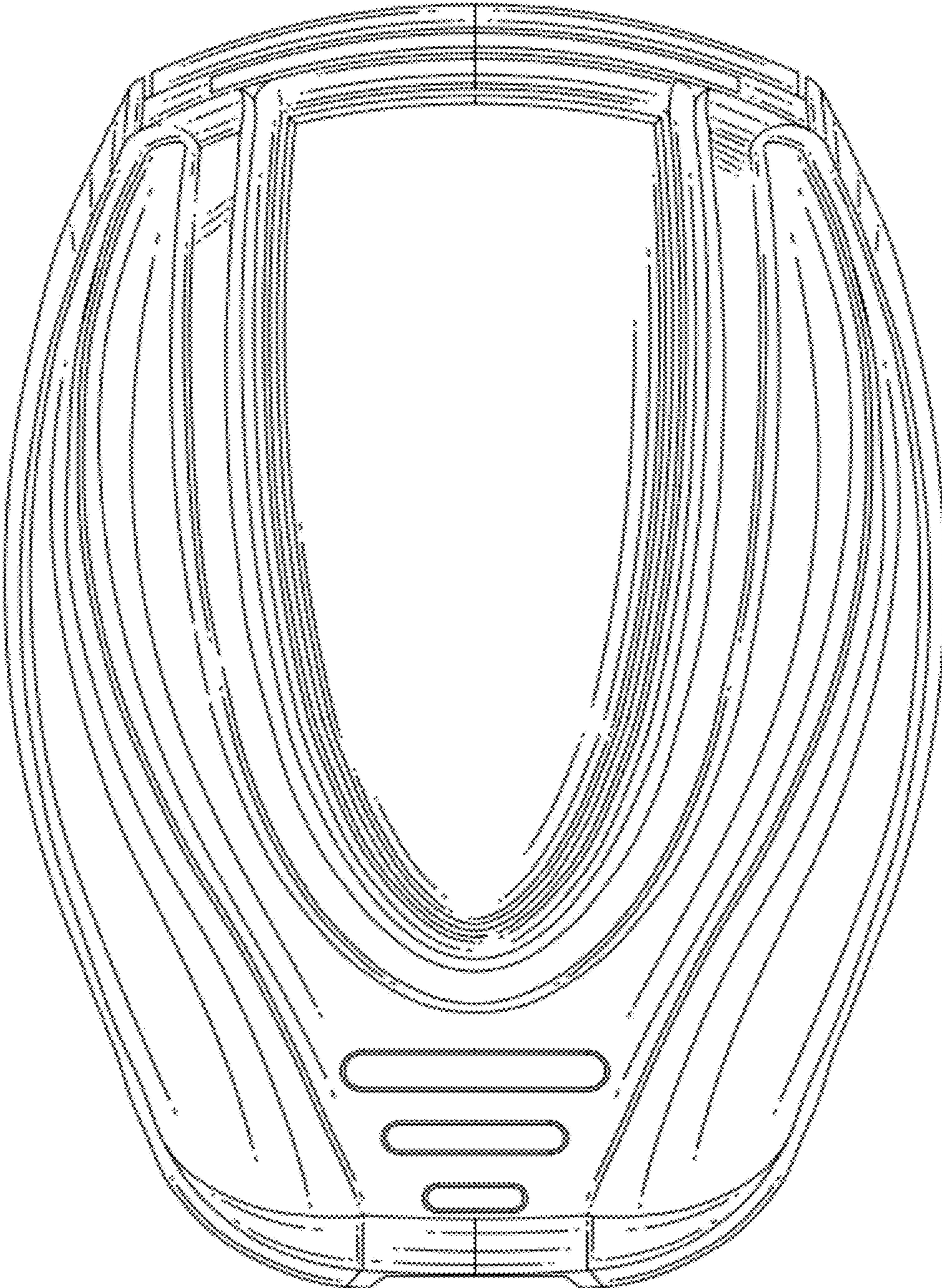


FIG. 2

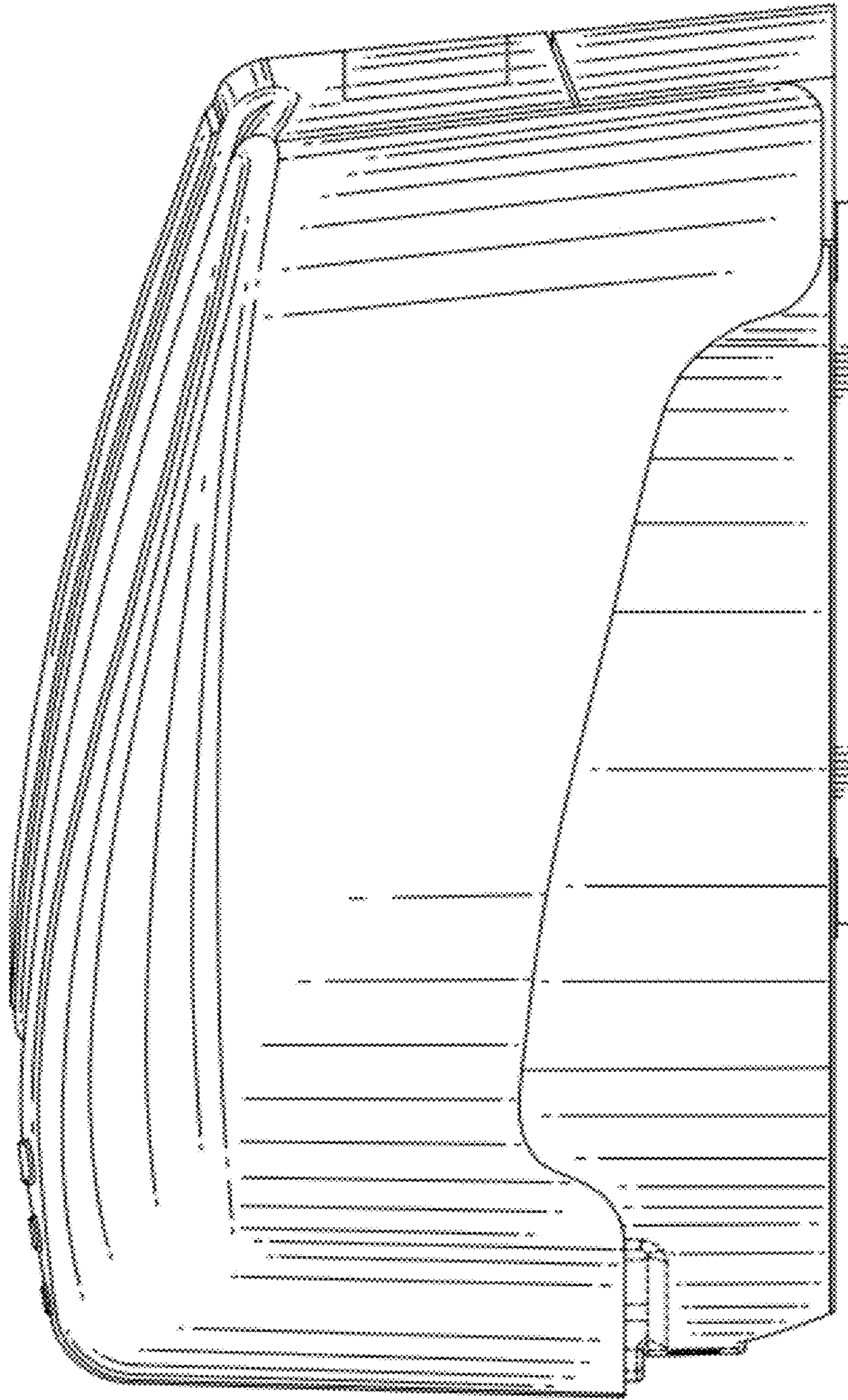


FIG. 3

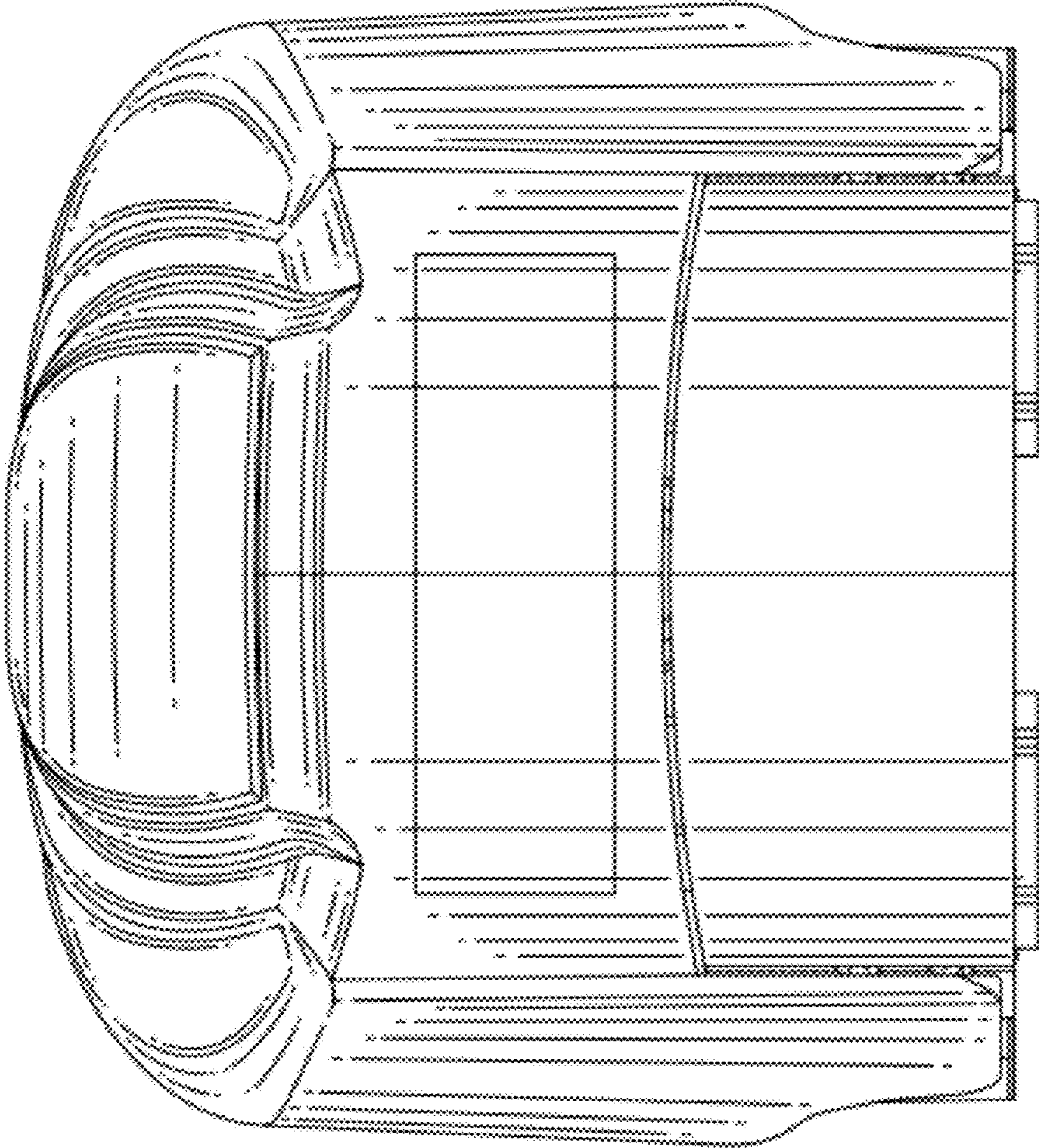


FIG. 4

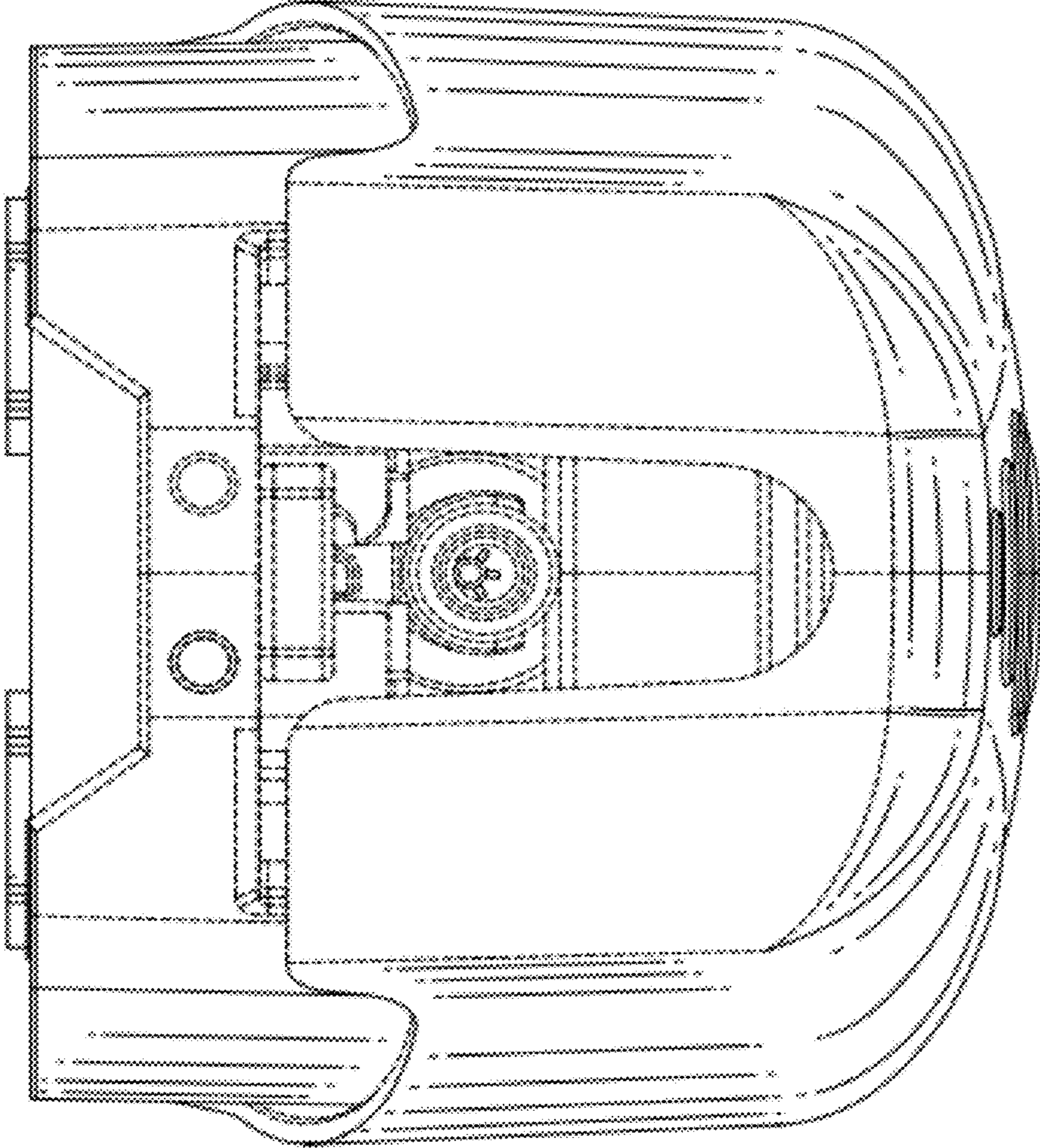


FIG. 5