



US00D675844S

(12) **United States Design Patent**
Cramer et al.

(10) **Patent No.:** **US D675,844 S**
(45) **Date of Patent:** **** Feb. 12, 2013**

(54) **HIGH BACK ARMED SOFA**
(75) Inventors: **E. Daniel Cramer**, Minneapolis, MN
(US); **Paul A. James**, Edina, MN (US)
(73) Assignee: **Krueger International, Inc.**, Green Bay,
WI (US)
(**) Term: **14 Years**

D580,664 S 11/2008 Cramer et al.
D586,131 S 2/2009 Cramer et al.
D614,881 S * 5/2010 D'Urso D6/364
D615,767 S 5/2010 Griepentrog et al.
D624,325 S * 9/2010 Roberts D6/334
D628,403 S * 12/2010 Starck D6/381
D644,048 S 8/2011 Blomstrom
D644,846 S * 9/2011 Ciani et al. D6/334
D661,118 S * 6/2012 Massaud D6/374
D664,778 S * 8/2012 Pheasant et al. D6/334

(21) Appl. No.: **29/423,240**
(22) Filed: **May 30, 2012**
(51) **LOC (9) Cl.** **06-01**
(52) **U.S. Cl.** **D6/381**
(58) **Field of Classification Search** D6/334-338,
D6/349, 355, 361, 368-370, 376, 379-381,
D6/492, 500-502; 297/16.1, 42, 94, 135,
297/175, 232, 233, 350, 351, 445.1, 448.1,
297/448.2, 451.9; 5/12.1, 12.2
See application file for complete search history.

OTHER PUBLICATIONS

Bernhardt Oxford Chair.

* cited by examiner

Primary Examiner — Sandra Snapp

(74) *Attorney, Agent, or Firm* — Andrus, Scales, Starke &
Sawall, LLP

(56) **References Cited**

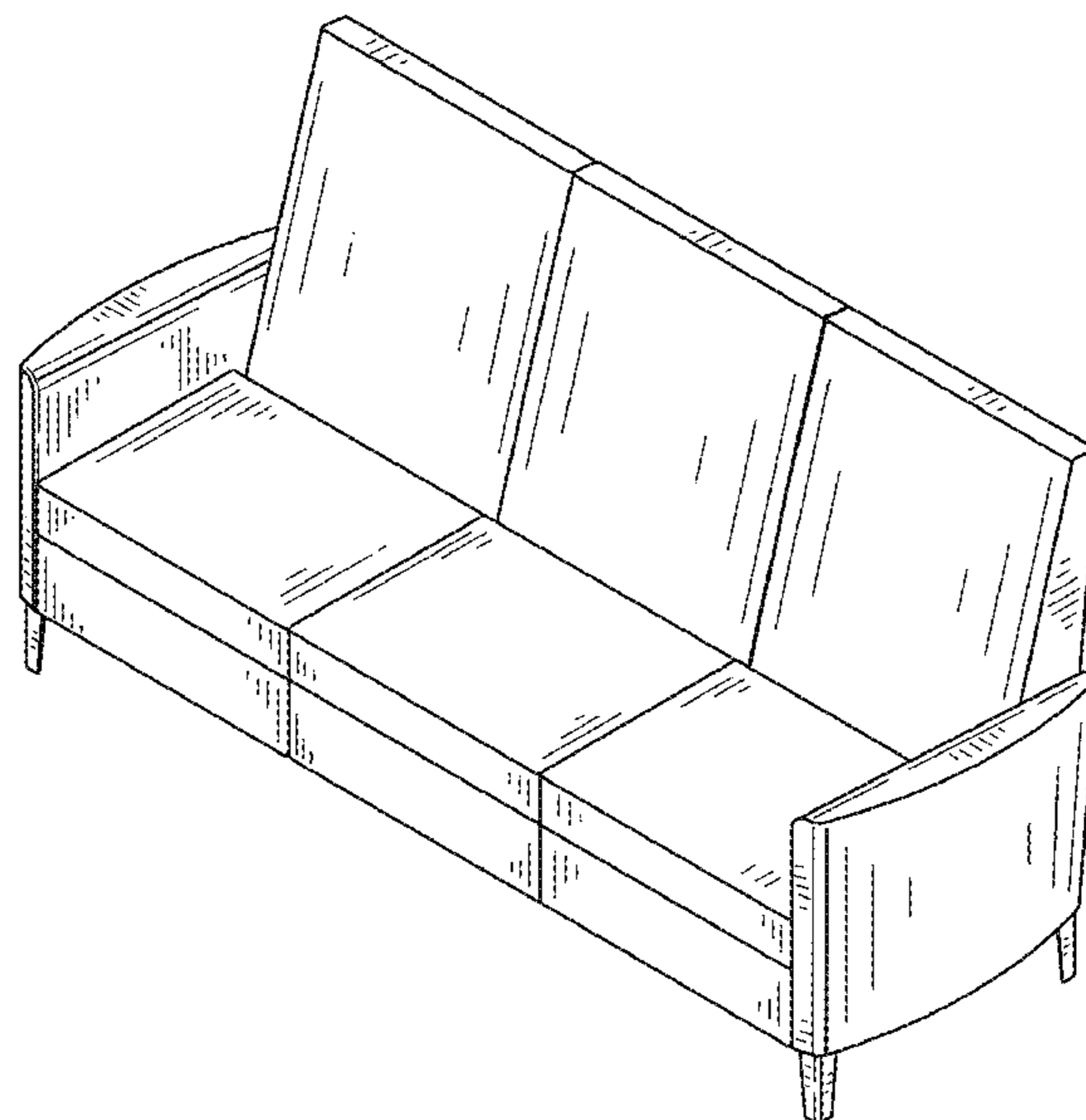
U.S. PATENT DOCUMENTS

D283,562 S * 4/1986 Raftery D6/334
D318,183 S * 7/1991 Fister, Jr. D6/334
D431,117 S * 9/2000 Hutton D6/334
D491,756 S 6/2004 Nemeth
6,824,220 B1 * 11/2004 Davison 297/440.14
D505,276 S * 5/2005 Cronk et al. D6/334
D533,365 S * 12/2006 Martin D6/334
D539,561 S * 4/2007 Martin D6/381
D549,470 S * 8/2007 Hutton D6/334
D569,111 S * 5/2008 Swanson D6/334

DESCRIPTION

FIG. 1 is an isometric view of a high back armed sofa;
FIG. 2 is a top view thereof;
FIG. 3 is a right side view thereof, wherein the left side view
is a mirror image;
FIG. 4 is a front view thereof; and,
FIG. 5 is a back view thereof.

1 Claim, 3 Drawing Sheets



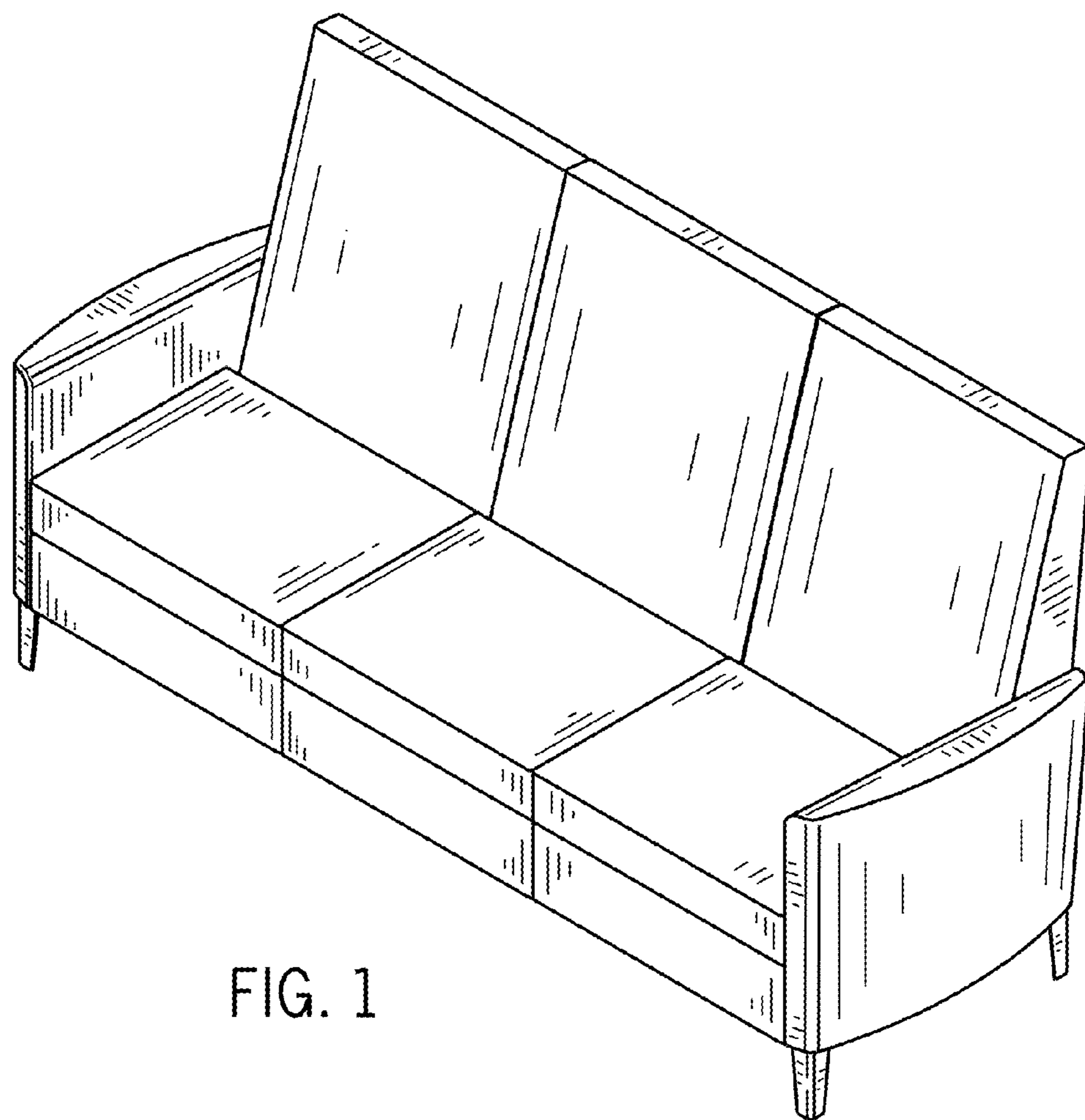


FIG. 1

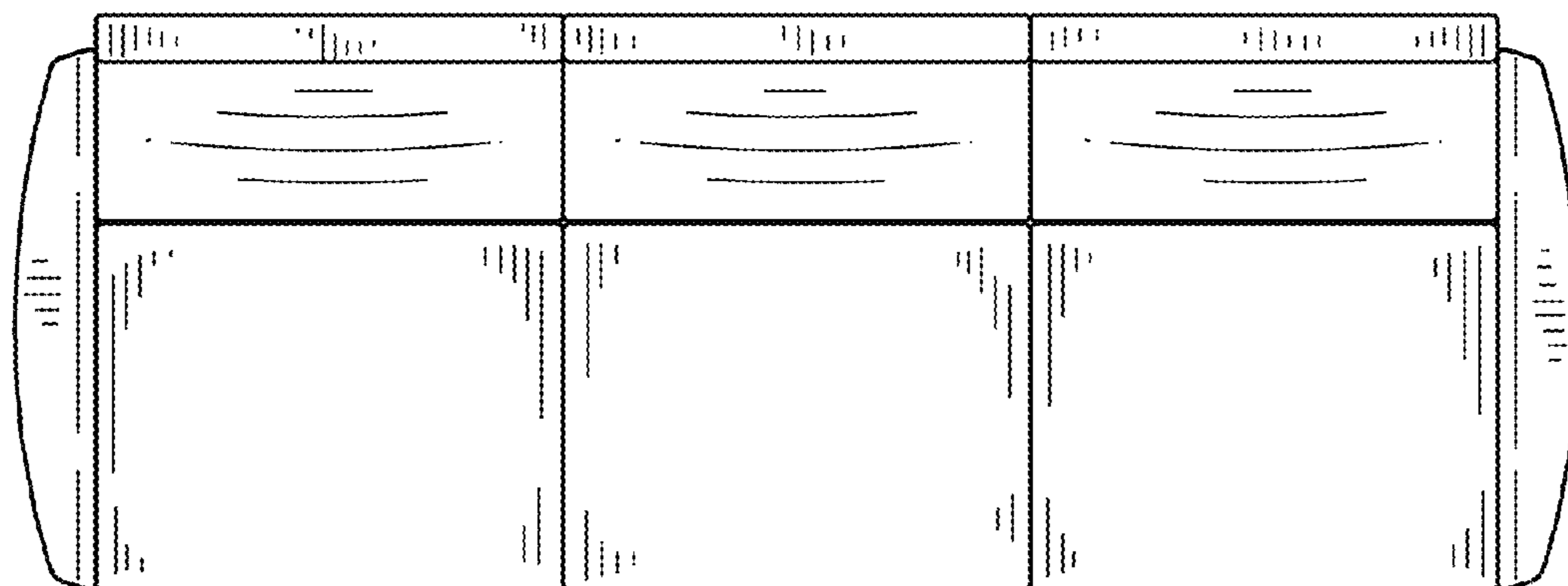


FIG. 2

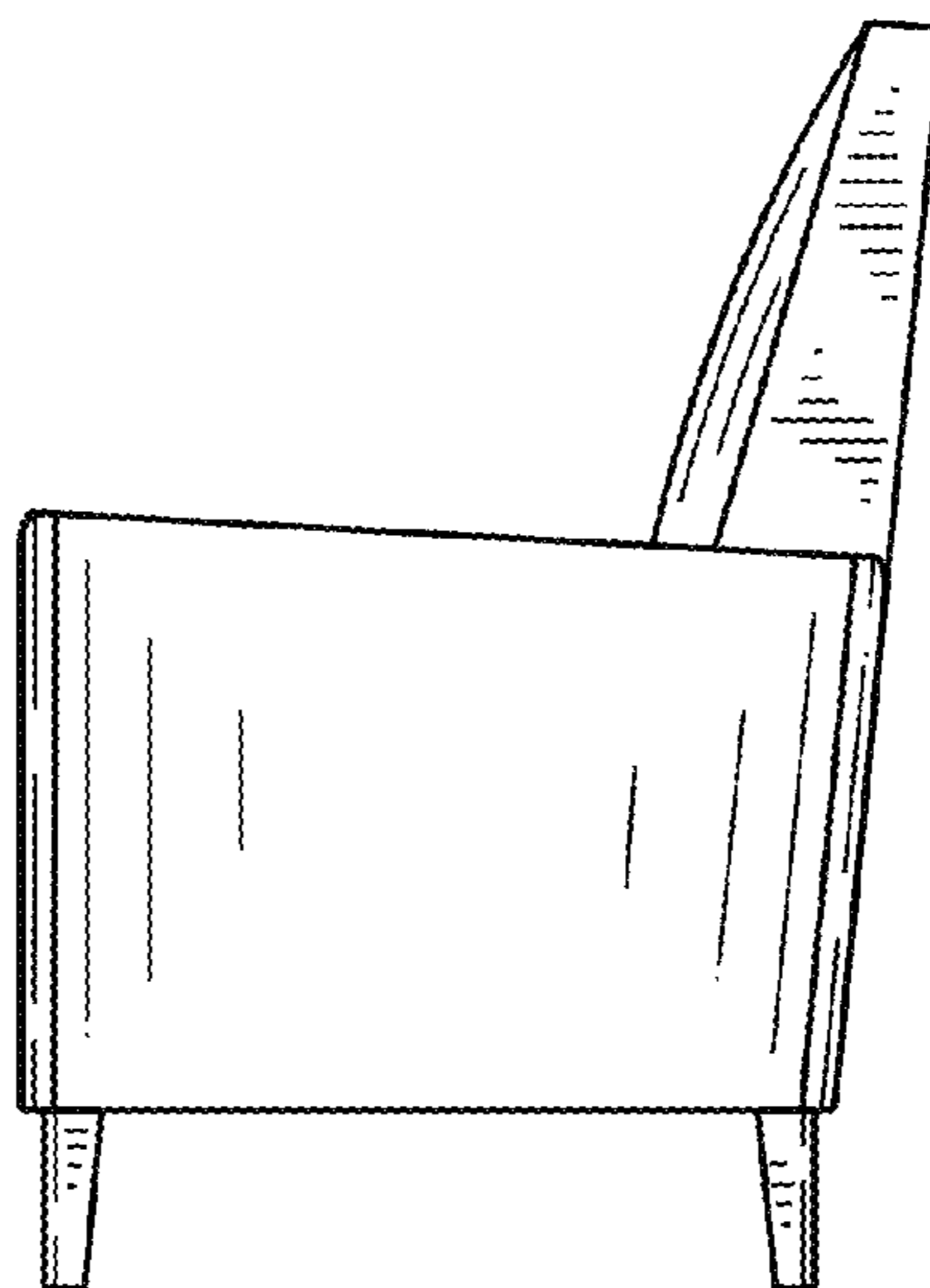


FIG. 3

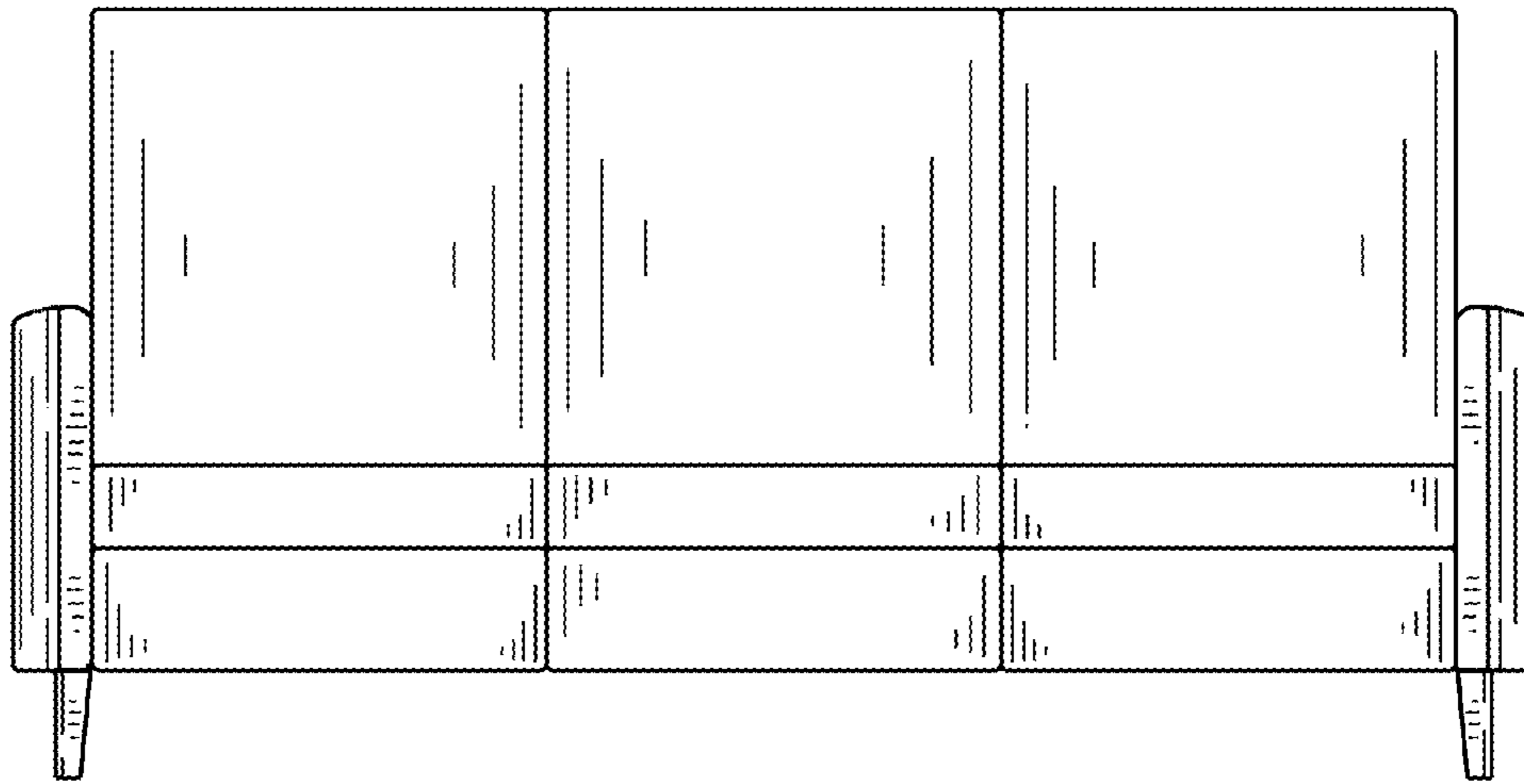


FIG. 4

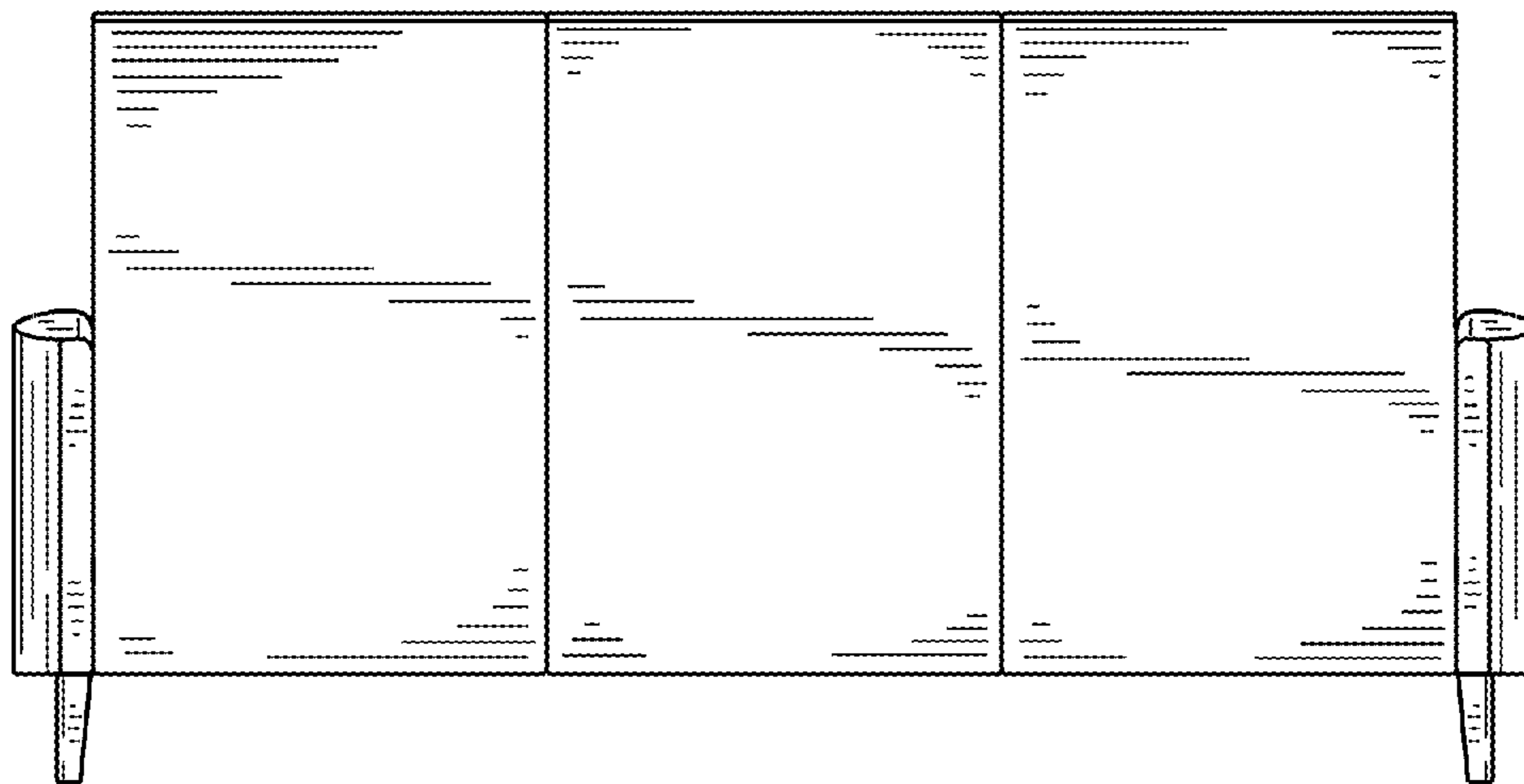


FIG. 5