



US00D675841S

(12) **United States Design Patent**
Mound, II

(10) **Patent No.:** **US D675,841 S**

(45) **Date of Patent:** **** Feb. 12, 2013**

- (54) **FOLDABLE SLING CHAIR**
- (75) Inventor: **Richard Merle Mound, II**, Flower Mound, TX (US)
- (73) Assignee: **Mound Industries, LLC**, Flower Mound, TX (US)
- (**) Term: **14 Years**
- (21) Appl. No.: **29/421,596**
- (22) Filed: **Aug. 21, 2012**
- (51) **LOC (9) Cl.** **06-01**
- (52) **U.S. Cl.** **D6/368**
- (58) **Field of Classification Search** D6/334–336, D6/368, 371–373, 374, 375, 379, 500–502; 297/16.1, 18, 27, 31, 35, 39, 40, 45, 59, 394, 297/440.11, 440.24, 452.13
See application file for complete search history.

4,482,186	A *	11/1984	Gomes	297/440.11
4,699,422	A	10/1987	Yamasaki		
4,836,601	A	6/1989	Cone		
5,058,948	A	10/1991	Singer		
5,507,548	A	4/1996	Marhefka		
D395,763	S *	7/1998	Machell	D6/368
5,971,474	A *	10/1999	Chang	297/56
D415,902	S *	11/1999	Chun-Yueh	D6/368
6,398,298	B1 *	6/2002	Chen	297/35
6,669,280	B1	12/2003	Wegner		
6,877,803	B1 *	4/2005	Reese	297/440.24
7,192,091	B1	3/2007	Ping Sheng		
D639,577	S *	6/2011	Tseng	D6/368
D654,714	S *	2/2012	Tseng	D6/368
2009/0256401	A1	10/2009	Hensley		

* cited by examiner

Primary Examiner — Mimoso De

(74) *Attorney, Agent, or Firm* — Stephen D. Carver

(57) **CLAIM**

The ornamental design for a foldable sling chair, as shown.

(56) **References Cited**

U.S. PATENT DOCUMENTS

1,969,313	A *	8/1934	Meeker	297/452.13
2,543,273	A *	2/1951	Beil	297/18
2,543,543	A	2/1951	Gomes		
2,710,642	A *	6/1955	Fausser	297/18
3,338,625	A	8/1967	Jung-Shien		
D220,908	S *	6/1971	Smith	D6/368
D221,146	S *	7/1971	McComas	D6/368
3,822,913	A	7/1974	Raver		
D248,344	S *	7/1978	Uchida	D6/368
4,241,950	A	12/1980	Simpson		
4,251,106	A	2/1981	Gilbert		
4,252,367	A	2/1981	Vanderminden		

DESCRIPTION

FIG. 1 is a frontal isometric view of my new foldable sling chair, showing the new design;
 FIG. 2 is a rear isometric view thereof;
 FIG. 3 is a front view thereof;
 FIG. 4 is a rear view thereof;
 FIG. 5 is a left side elevational view thereof;
 FIG. 6 is a right side elevational view thereof;
 FIG. 7 is a top plan view thereof; and,
 FIG. 8 is a bottom plan view thereof.

1 Claim, 5 Drawing Sheets

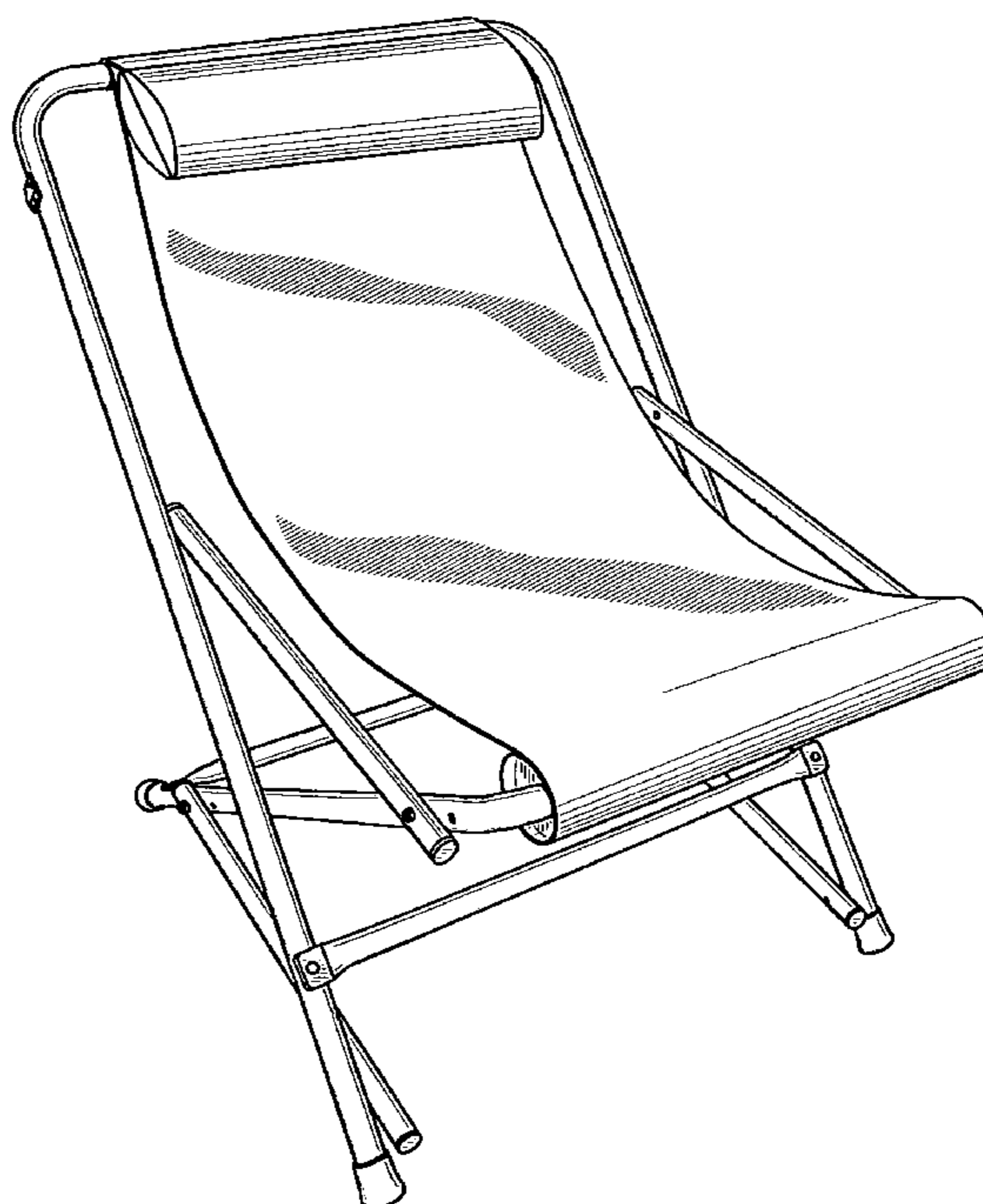


FIG. 1

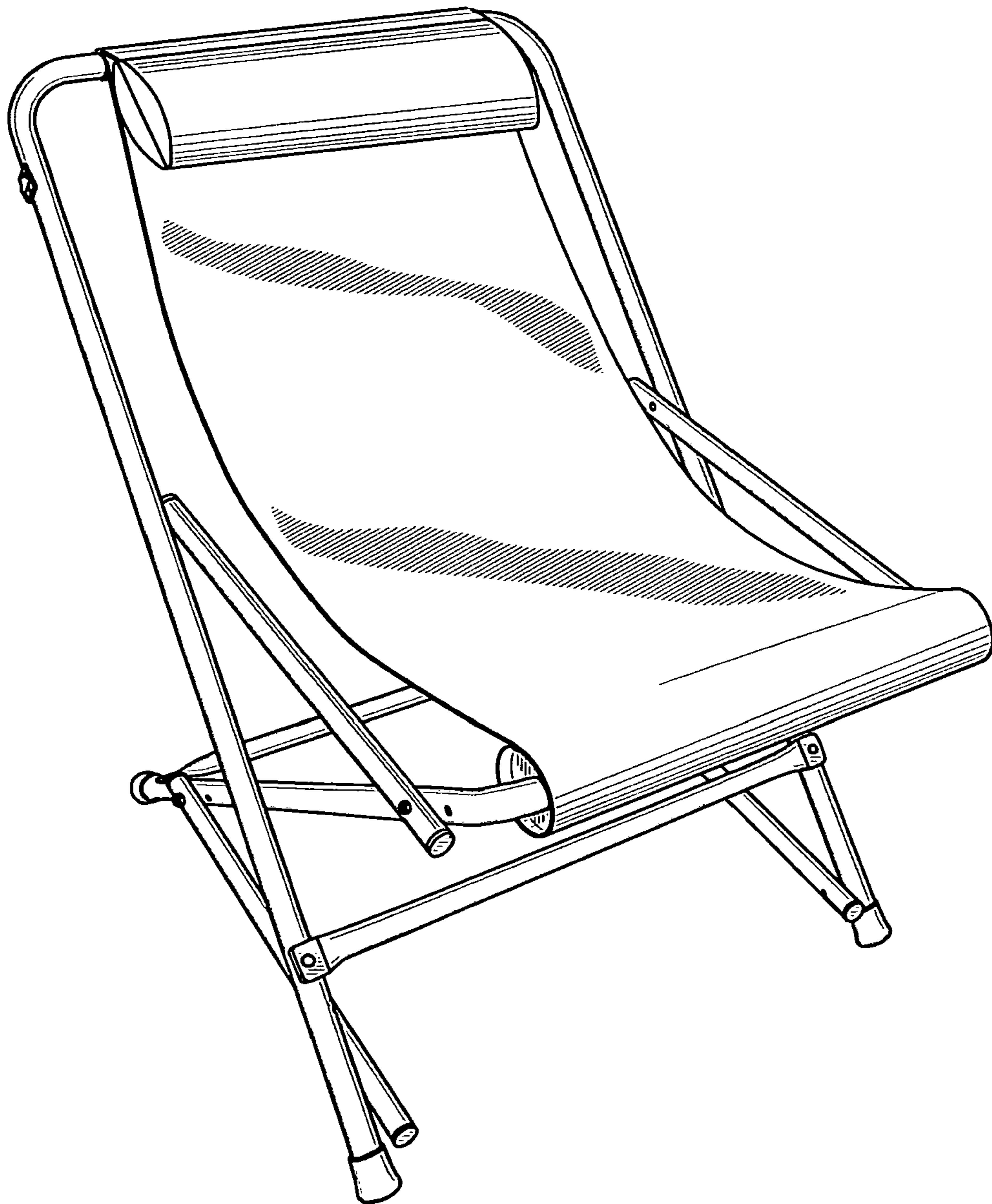


FIG. 2

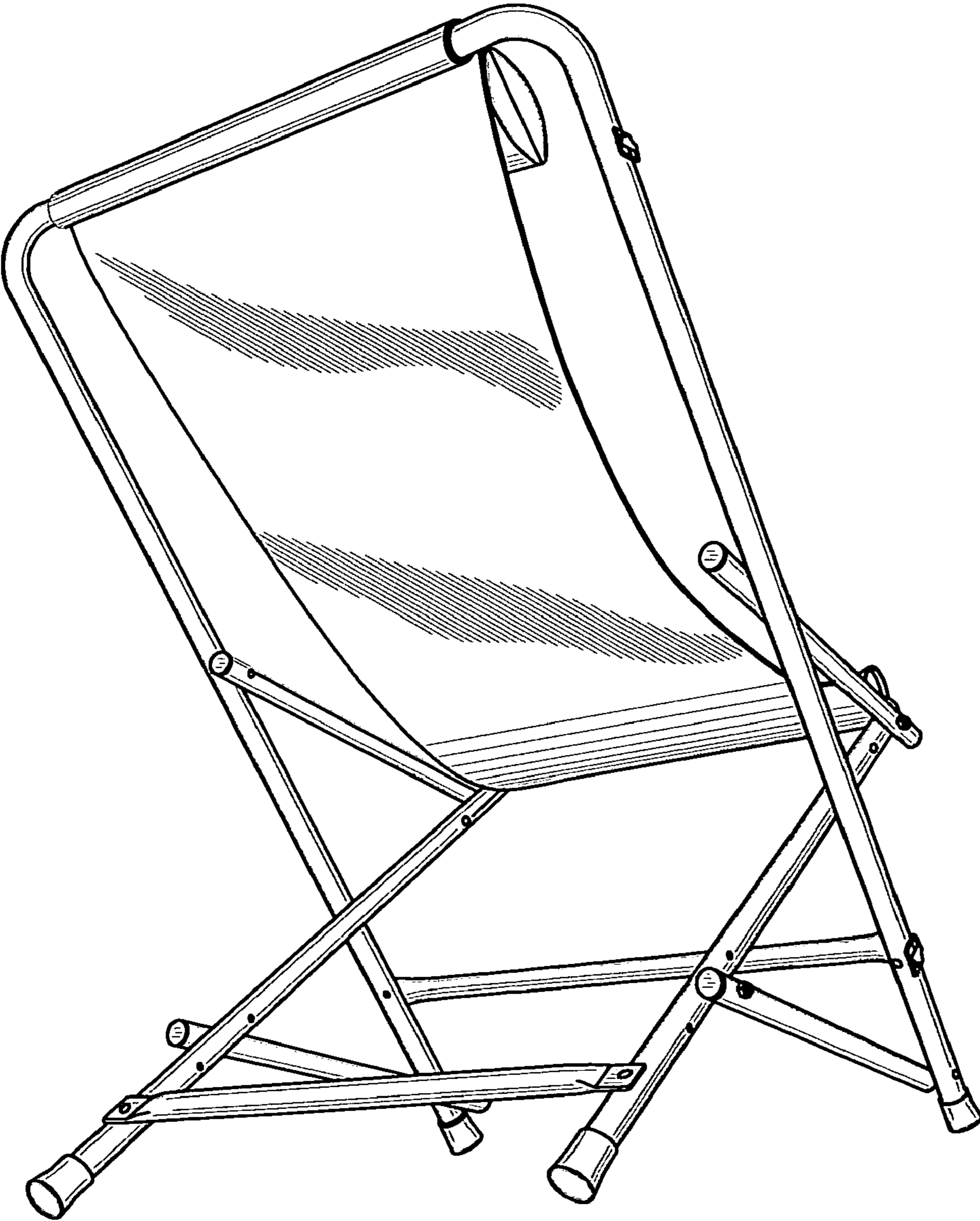


FIG. 4

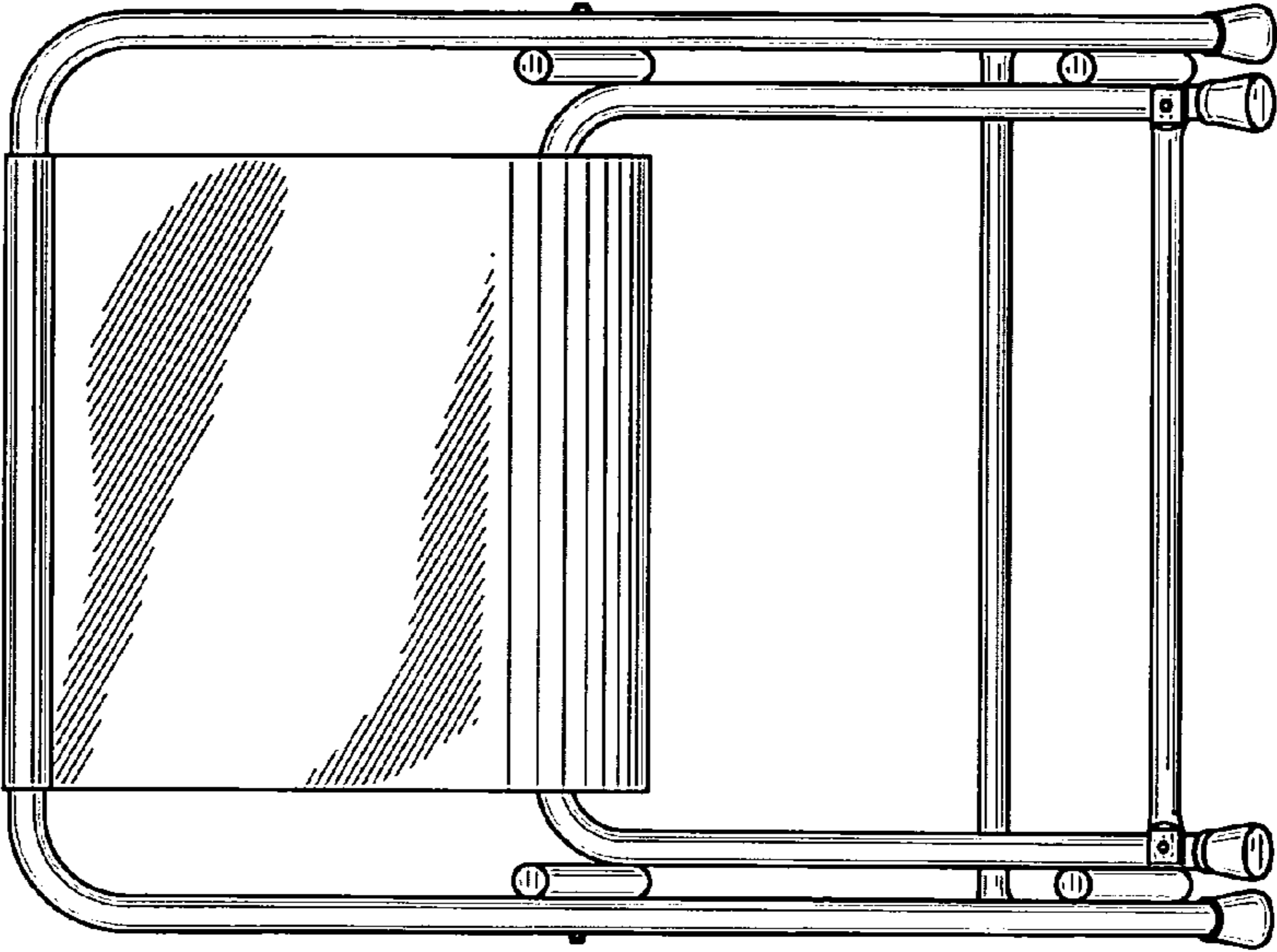


FIG. 3

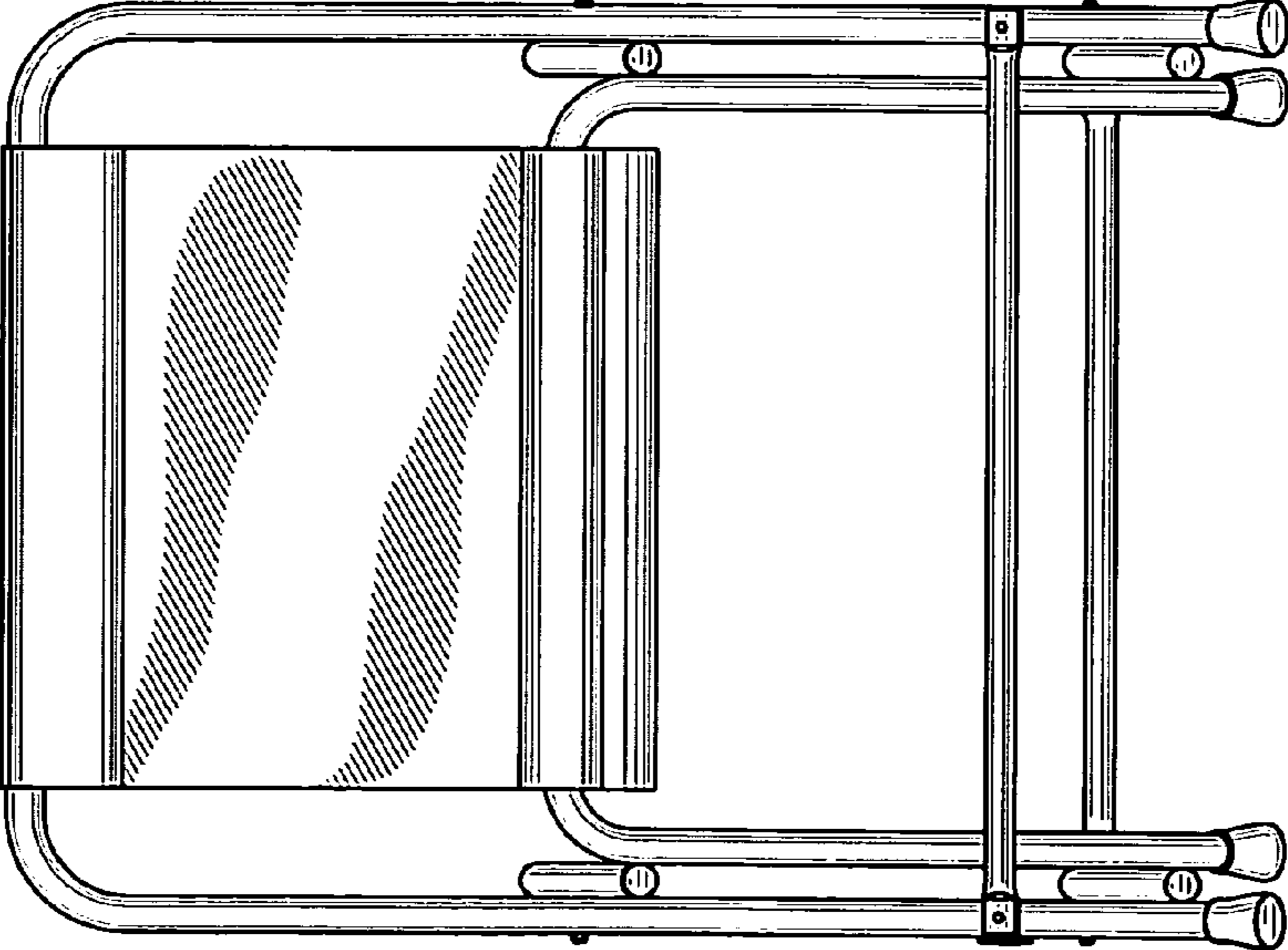


FIG. 6

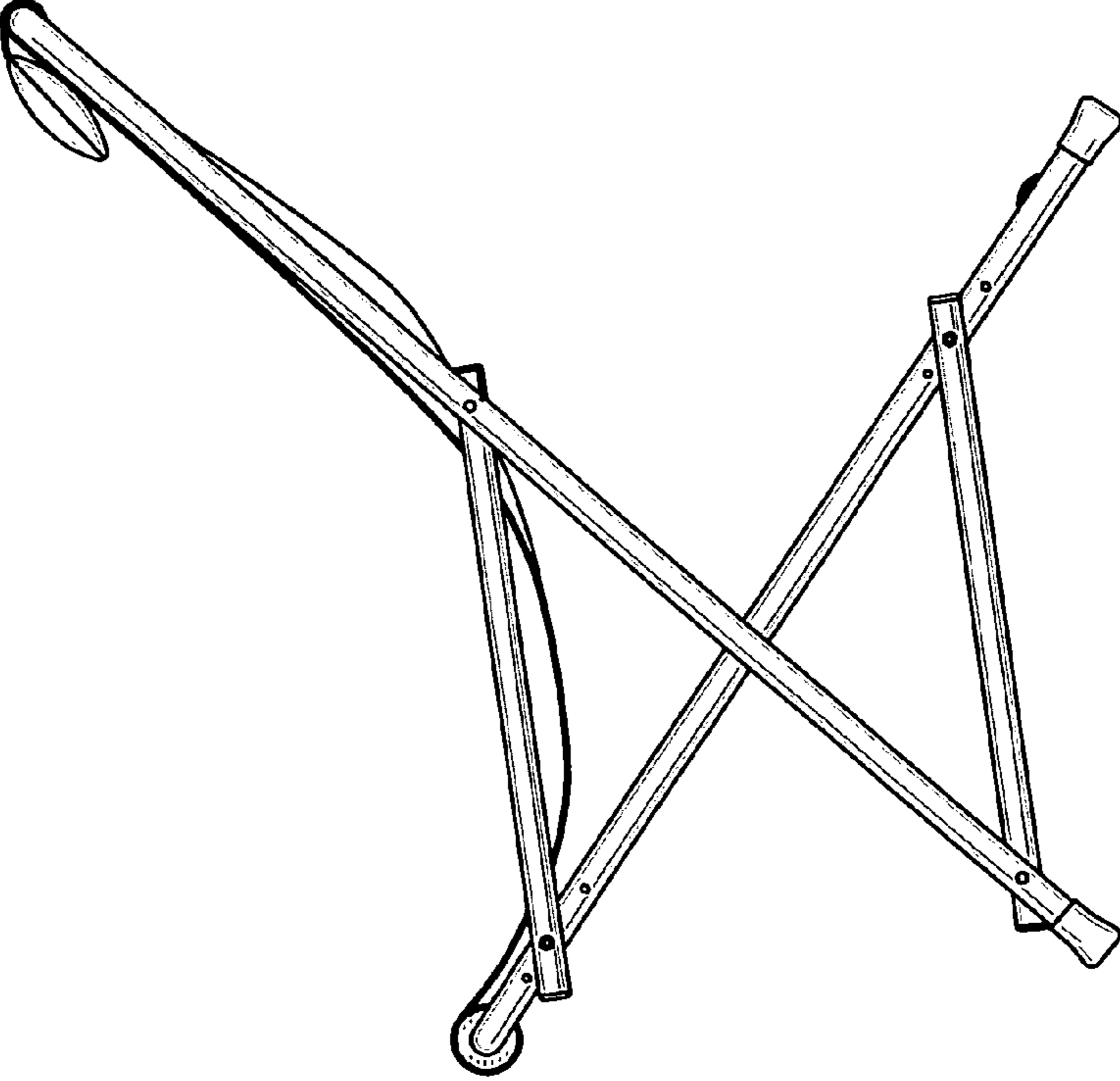


FIG. 5

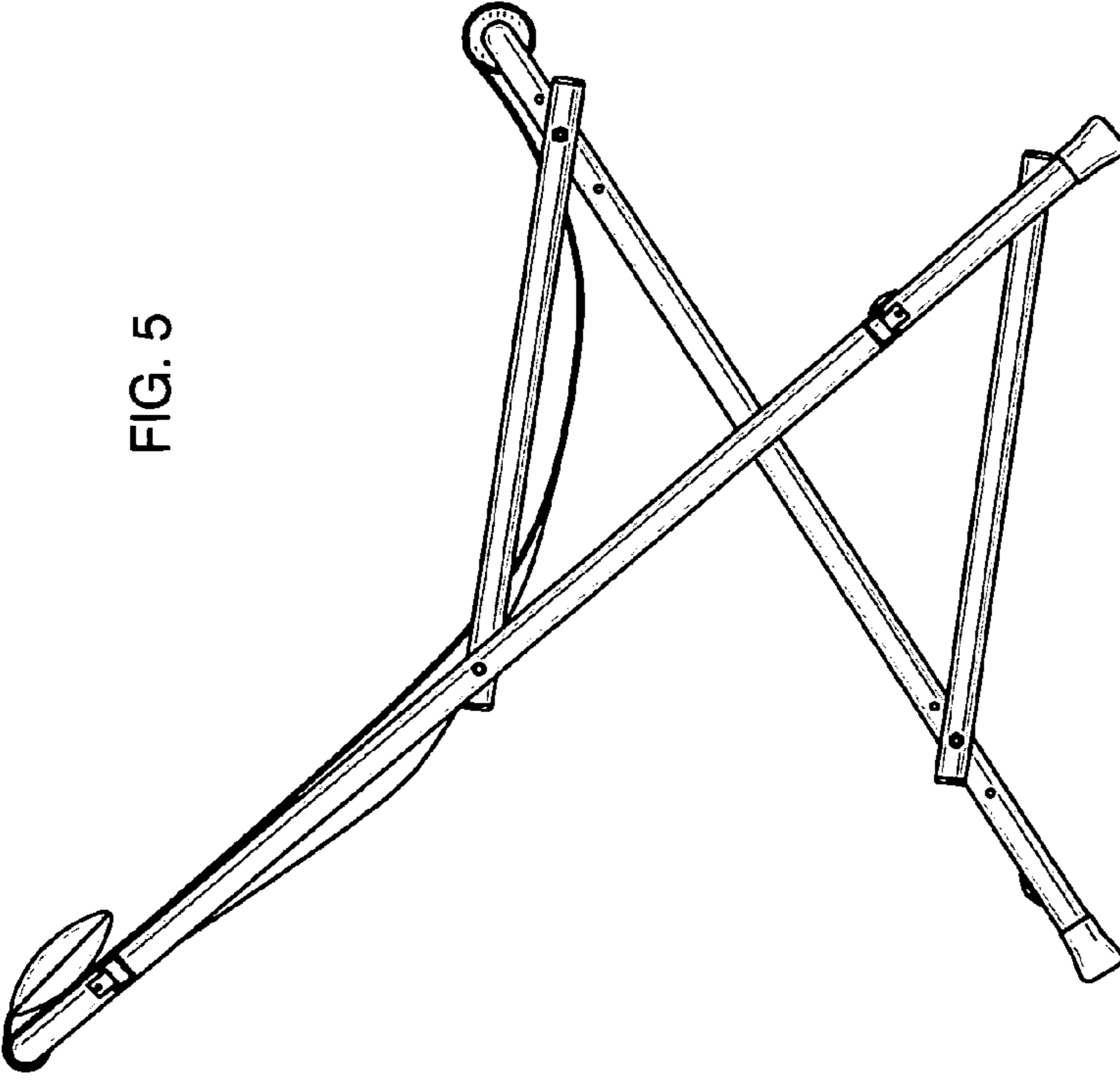


FIG. 8

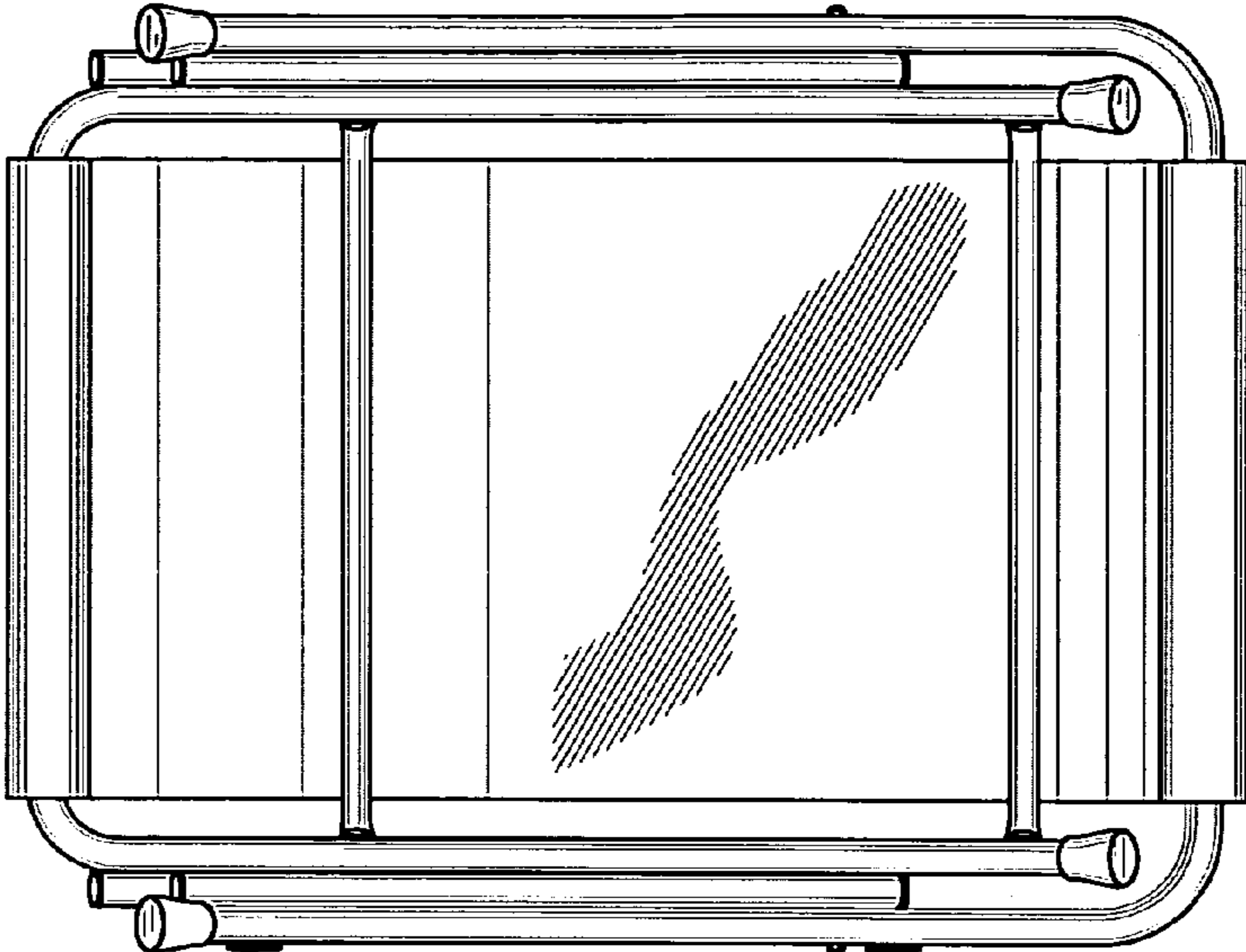


FIG. 7

