



US00D675840S

(12) **United States Design Patent**
Jannetides et al.

(10) **Patent No.:** **US D675,840 S**
(45) **Date of Patent:** **** Feb. 12, 2013**

(54) **COMBINATION FLOOR ROCKER AND STOOL**

(75) Inventors: **James N. Jannetides**, Fishers, IN (US);
Adam Anderson, Indianapolis, IN (US)

(73) Assignee: **J Squared, Inc.**, Greenfield, IN (US)

(**) Term: **14 Years**

(21) Appl. No.: **29/410,581**

(22) Filed: **Jan. 9, 2012**

(51) **LOC (9) Cl.** **06-01**

(52) **U.S. Cl.** **D6/366**

(58) **Field of Classification Search** D6/334-336,
D6/344, 347, 349, 353, 364, 365, 366, 369,
D6/374, 379, 380, 498, 500-502; 297/118,
297/258.1, 271.5, 271.6, 423.12, 423.13,
297/452.13, 452.21, 452.29, 452.46, 452.56,
297/452.64, 461

See application file for complete search history.

(56) **References Cited**

U.S. PATENT DOCUMENTS

2,545,840 A	3/1951	Browne	
D194,840 S *	3/1963	Rider	D6/348
3,269,771 A	8/1966	Erdos	
D210,453 S *	3/1968	Gardner	D6/348
D217,089 S *	4/1970	Julien	D21/412
3,526,429 A *	9/1970	Metzger	297/271.5
3,821,825 A	7/1974	Bailey	
D245,132 S	7/1977	Gale, Jr.	
4,109,960 A	8/1978	Stinchfield	
4,160,564 A	7/1979	Kyle	
4,394,046 A	7/1983	Irwin et al.	
D272,205 S	1/1984	De Boer	
D273,729 S	5/1984	Pelly et al.	
D283,858 S	5/1986	Opsvik	
D286,802 S	11/1986	Ahlberg	
4,697,845 A	10/1987	Kamman	
4,736,982 A	4/1988	Hwang	
4,765,684 A	8/1988	Kvalheim et al.	
4,767,159 A	8/1988	Opsvik	
4,767,160 A *	8/1988	Mengshoel et al.	297/423.12
D297,690 S *	9/1988	Opsvik	D6/500
4,793,655 A	12/1988	Kvalheim et al.	

4,832,407 A	5/1989	Serber	
4,960,305 A *	10/1990	Opsvik	297/423.12
D315,643 S	3/1991	Guy	
5,042,875 A	8/1991	Biggs, Sr.	
5,054,857 A *	10/1991	Kvalheim	297/423.13
D327,375 S	6/1992	Cooper	
5,169,210 A	12/1992	Fricano	
5,213,394 A	5/1993	Tattrie	
5,255,957 A *	10/1993	Opsvik et al.	297/423.12
5,261,727 A *	11/1993	Klaebel	297/423.13
5,308,146 A	5/1994	Chou	
5,423,597 A	6/1995	Rogers	

(Continued)

OTHER PUBLICATIONS

Sauder Sales Literature, "Trey Multifunction Task Chair," © 2006 (2 pgs.).

(Continued)

Primary Examiner — Mimosa De
(74) *Attorney, Agent, or Firm* — William F. Bahret

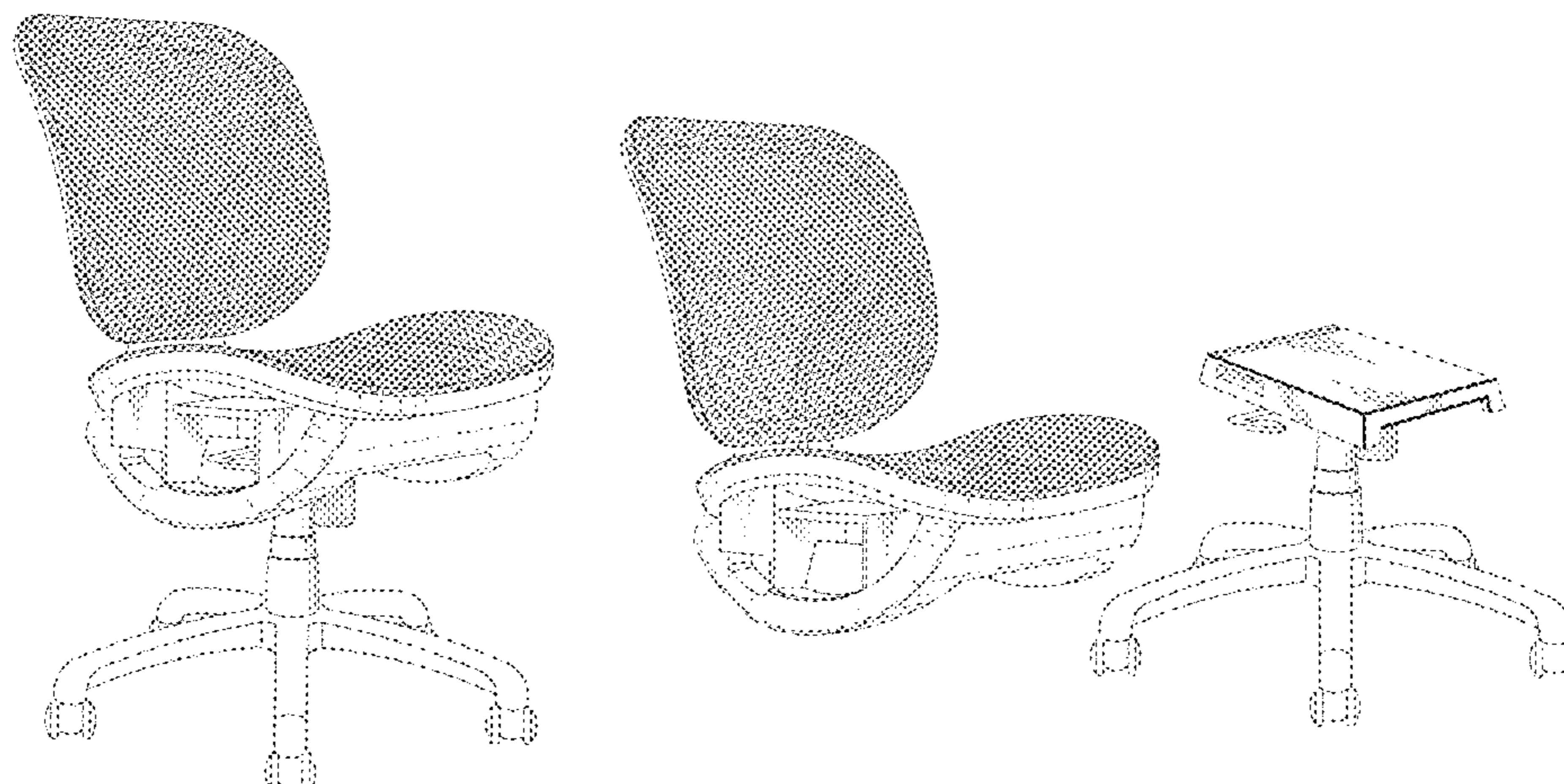
(57) **CLAIM**

The ornamental design for a combination floor rocker and stool, as shown and described.

DESCRIPTION

FIG. 1 is a right front perspective view of a combination floor rocker and stool showing our new design, with the floor rocker coupled to the stool in an office chair configuration; FIG. 2 is a front view thereof; FIG. 3 is a right side view thereof; FIG. 4 is a left side view thereof; FIG. 5 is a rear view thereof; and FIG. 6 is a top view thereof; FIG. 7 is a right front perspective view of the floor rocker and stool in an uncoupled configuration; FIG. 8 is a right front perspective view of the stool; FIG. 9 is a front view thereof; FIG. 10 is a right side view thereof; FIG. 11 is a left side view thereof; FIG. 12 is a rear view thereof; and, FIG. 13 is a top view thereof. FIGS. 8-13 show the uncoupled stool separately for ease of illustration.

1 Claim, 13 Drawing Sheets



US D675,840 S

Page 2

U.S. PATENT DOCUMENTS

D360,665 S 7/1995 Hatfield
5,653,499 A 8/1997 Goodall
5,667,278 A * 9/1997 Li 297/423.13
5,690,379 A 11/1997 Cayssials
D395,962 S 7/1998 Buffon
5,806,922 A 9/1998 Mendelovich
D400,365 S 11/1998 Rossi
D409,007 S 5/1999 Osterweil-Glaz et al.
D411,692 S 6/1999 Ogg
D425,713 S 5/2000 Tholkes et al.
6,116,682 A 9/2000 Baur
D437,129 S 2/2001 Pinto
D437,692 S 2/2001 Smith
D439,066 S 3/2001 Hannes et al.
6,345,864 B1 2/2002 Rivera et al.
6,352,306 B1 3/2002 Dreiling
6,367,874 B2 4/2002 Casini
6,416,123 B1 7/2002 Bell
6,550,857 B1 4/2003 Canton
6,554,353 B1 4/2003 Yu
6,572,134 B2 6/2003 Barrett et al.
D478,734 S 8/2003 Chen
D479,054 S 9/2003 Chen
6,712,711 B1 3/2004 Skelton et al.
D495,155 S 8/2004 Baldanzi et al.
6,786,553 B1 9/2004 Grove
D497,261 S 10/2004 Epp et al.
6,824,149 B1 11/2004 Whitlock et al.
6,857,696 B2 2/2005 Usagani
6,953,222 B2 10/2005 Larrick et al.
D515,831 S 2/2006 Hosoe

D516,828 S * 3/2006 Tsai D6/366
D520,762 S 5/2006 Pratt et al.
D526,495 S 8/2006 Albin
7,147,284 B2 12/2006 Mills et al.
7,152,358 B1 12/2006 LeAnna et al.
7,316,452 B2 1/2008 Vestweber
7,338,122 B2 3/2008 Hei et al.
D585,204 S * 1/2009 Wieland et al. D6/366
7,472,955 B2 1/2009 Crane et al.
D618,927 S * 7/2010 Zhang D6/366
D639,576 S * 6/2011 Breen D6/366
D641,983 S * 7/2011 Hazzard D6/366
D650,604 S * 12/2011 Lee D6/366
8,083,288 B1 12/2011 Warncke et al.
D658,904 S * 5/2012 Chen D6/366
2002/0014792 A1 2/2002 Casini
2002/0074835 A1 6/2002 Chalender
2003/0218365 A1 11/2003 Kawiaka
2005/0002750 A1 1/2005 Vallance
2005/0040659 A1 2/2005 Baker et al.
2005/0057079 A1 3/2005 Lee
2006/0284463 A1 12/2006 Gelo et al.
2007/0110512 A1 5/2007 Brede et al.
2007/0131833 A1 6/2007 Maloney et al.

OTHER PUBLICATIONS

Kuchera, Ben, "The Transformer of Office Chairs: a Review of the Trey Chair," [online], Aug. 15, 2007. Retrieved from the Internet: <http://arstechnica.com/reviews/other/the-transformer-of-office-chairs-a-review-of-the-trey-chairs.ars> (8 pgs.).

* cited by examiner

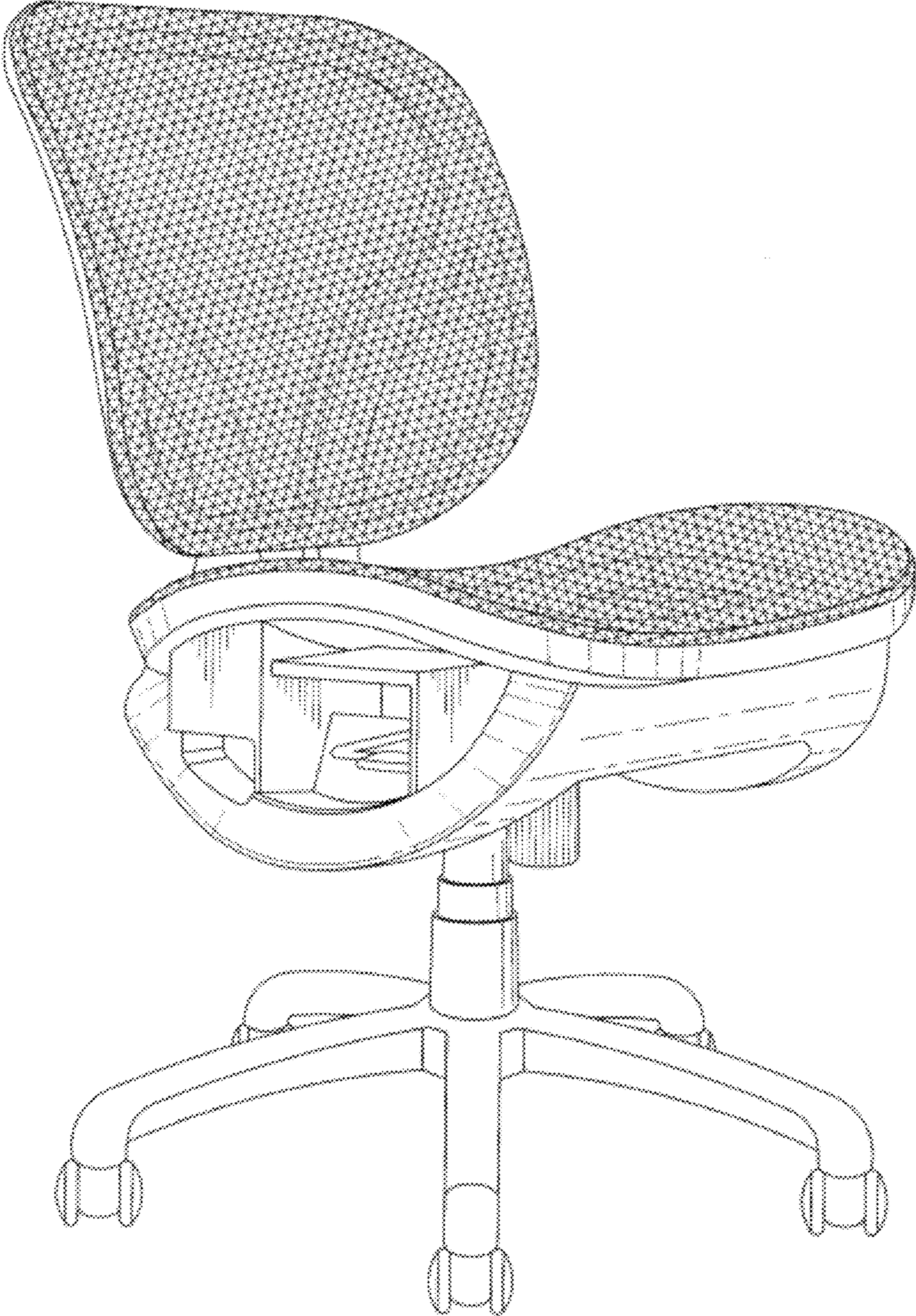


Fig. 1

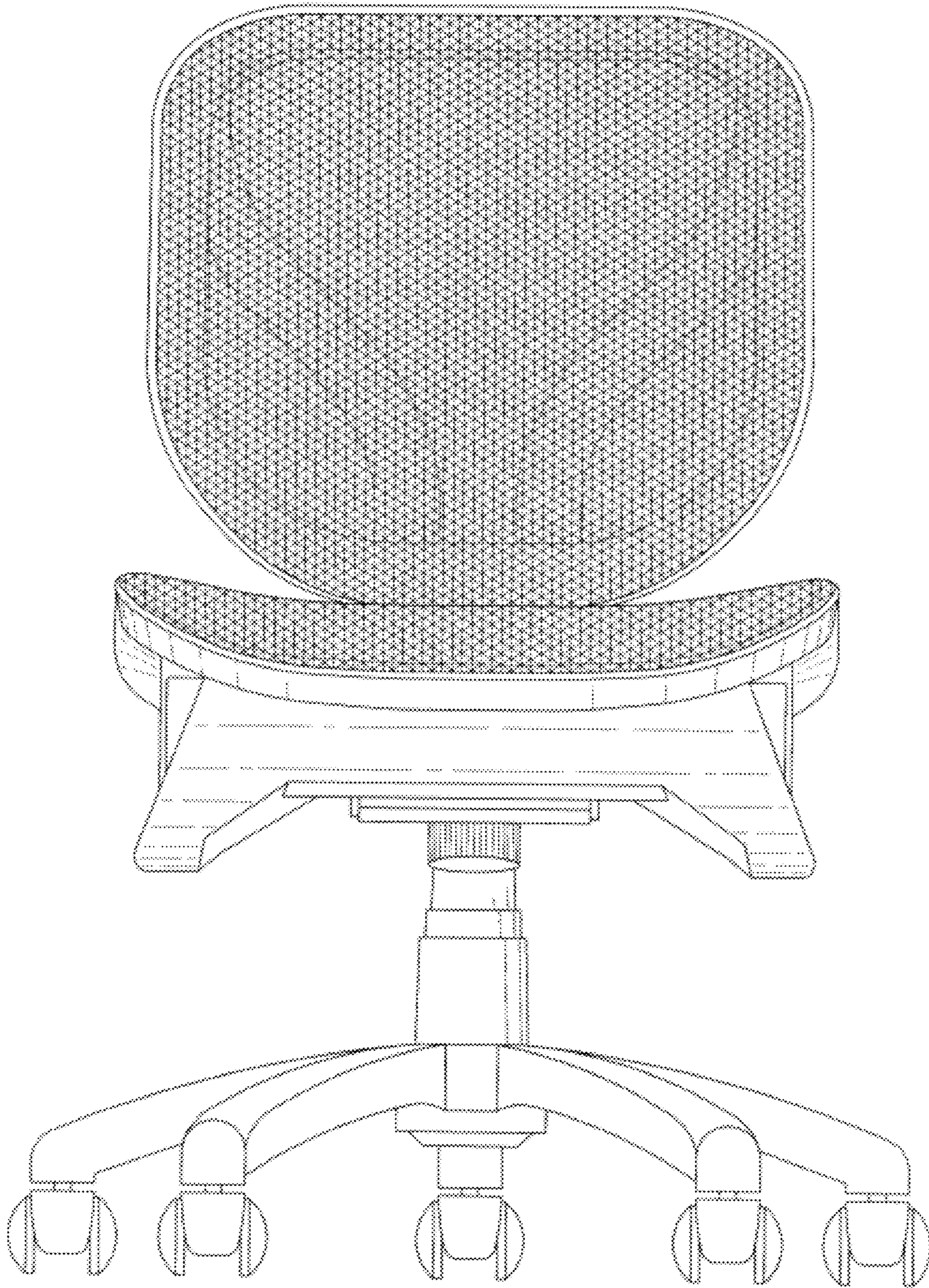


Fig. 2

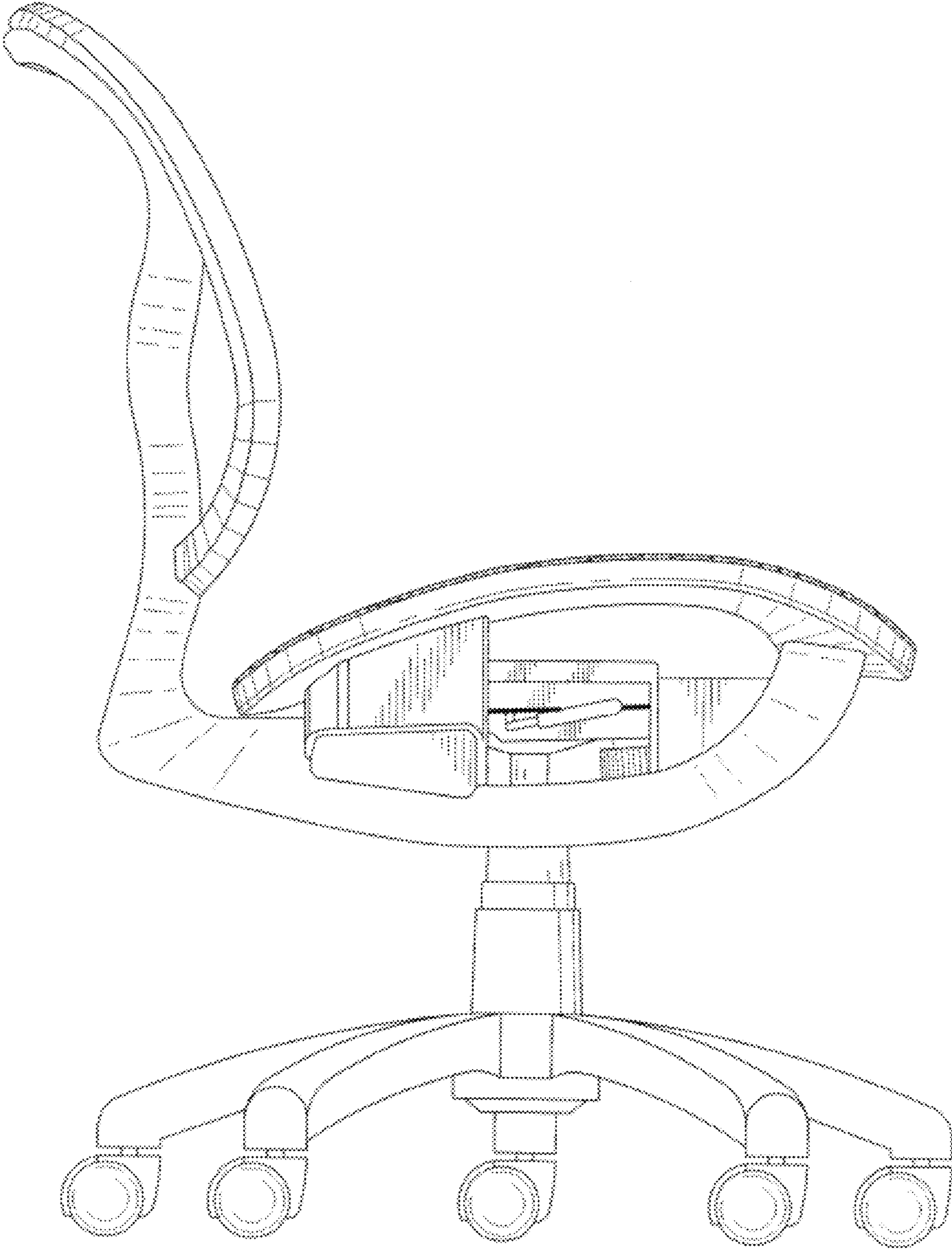


Fig. 3

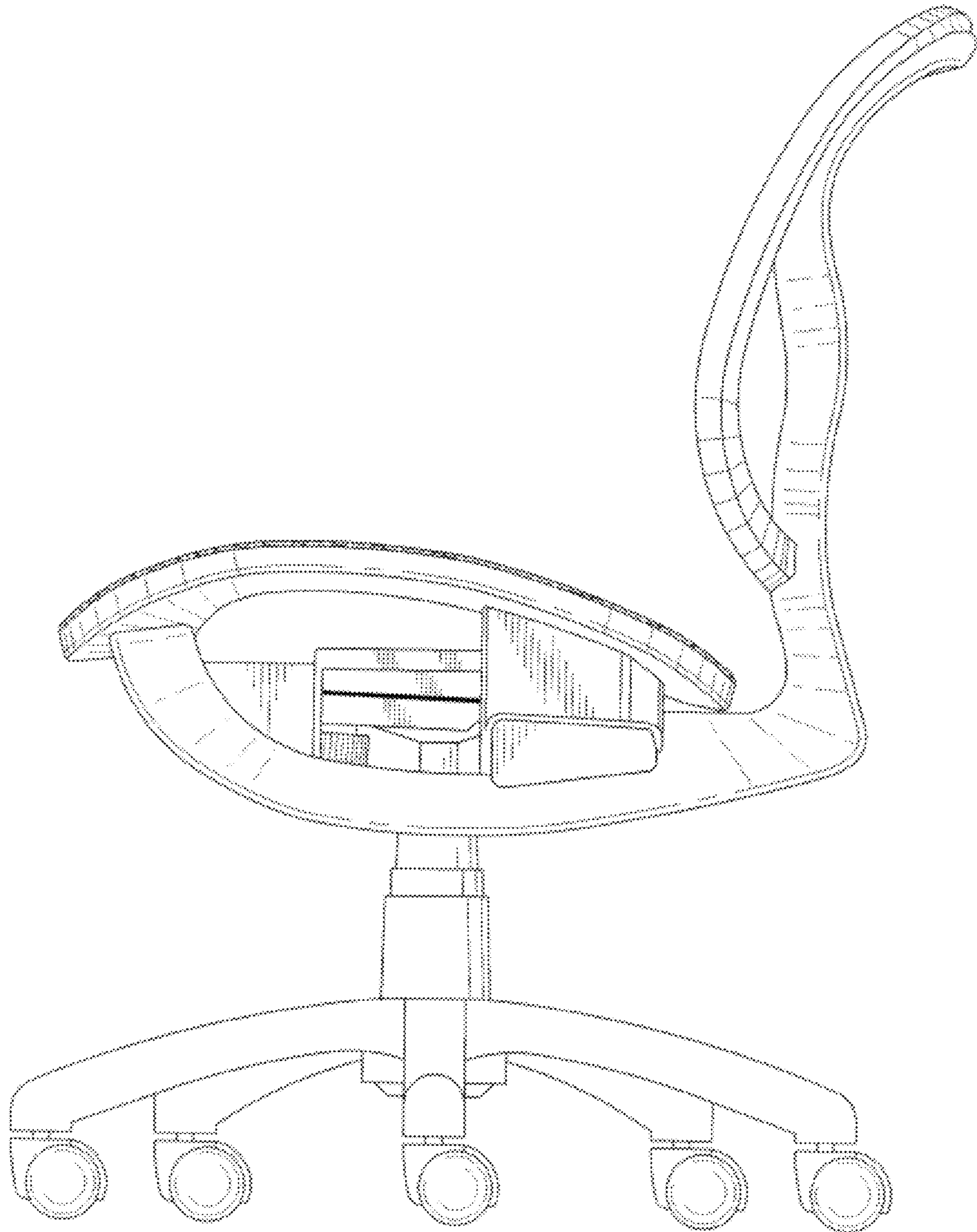


Fig. 4

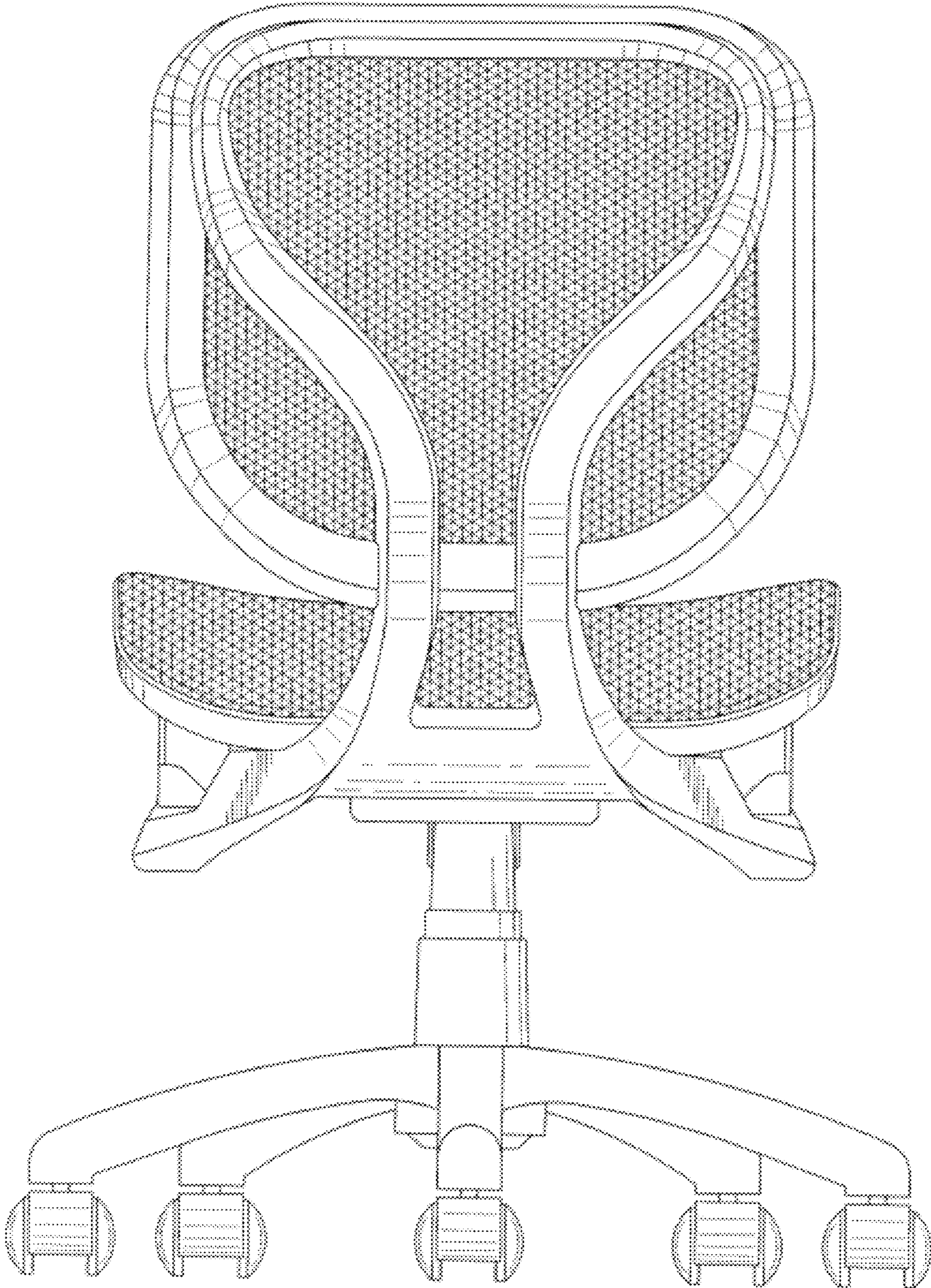


Fig. 5

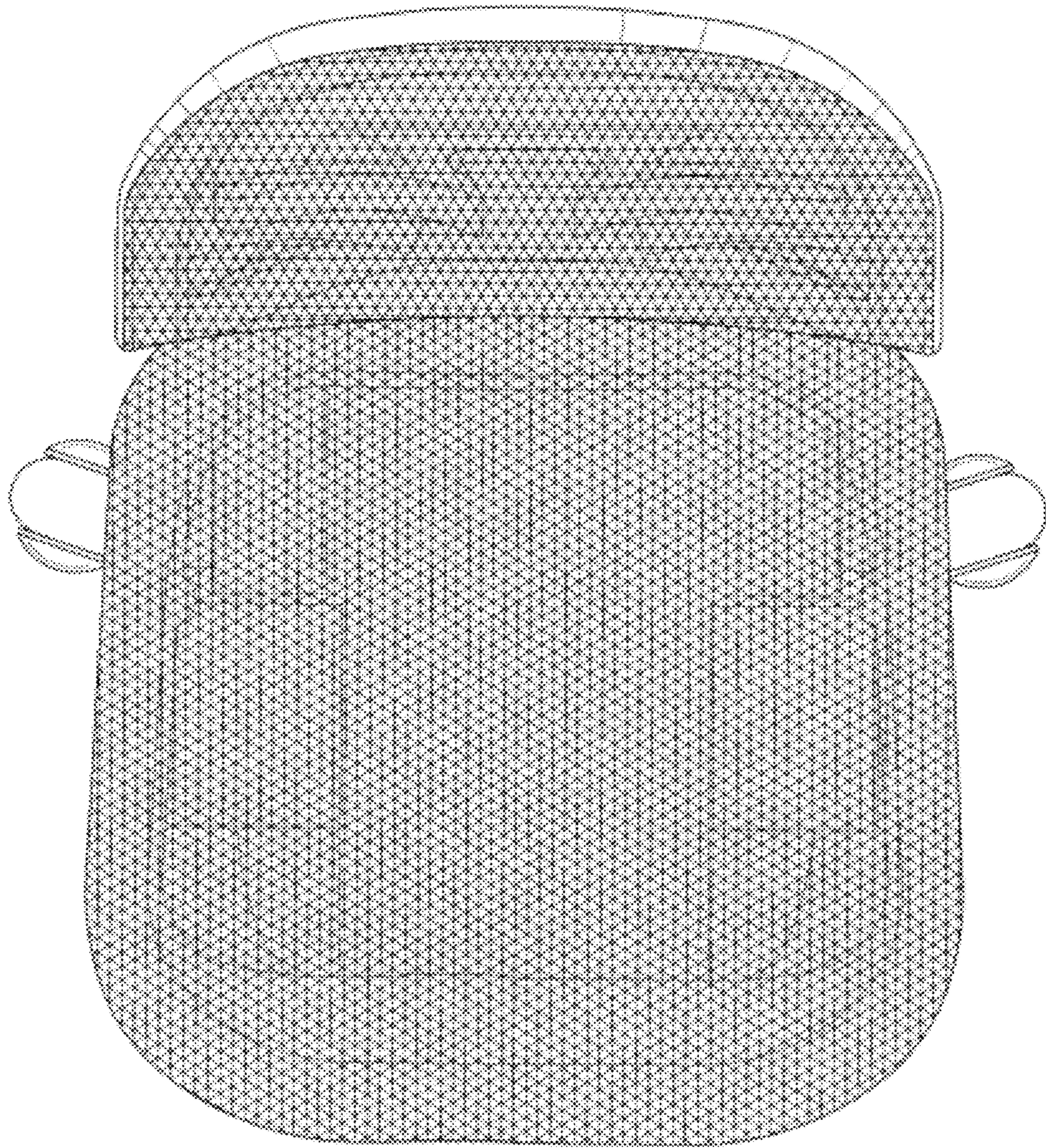


Fig. 6

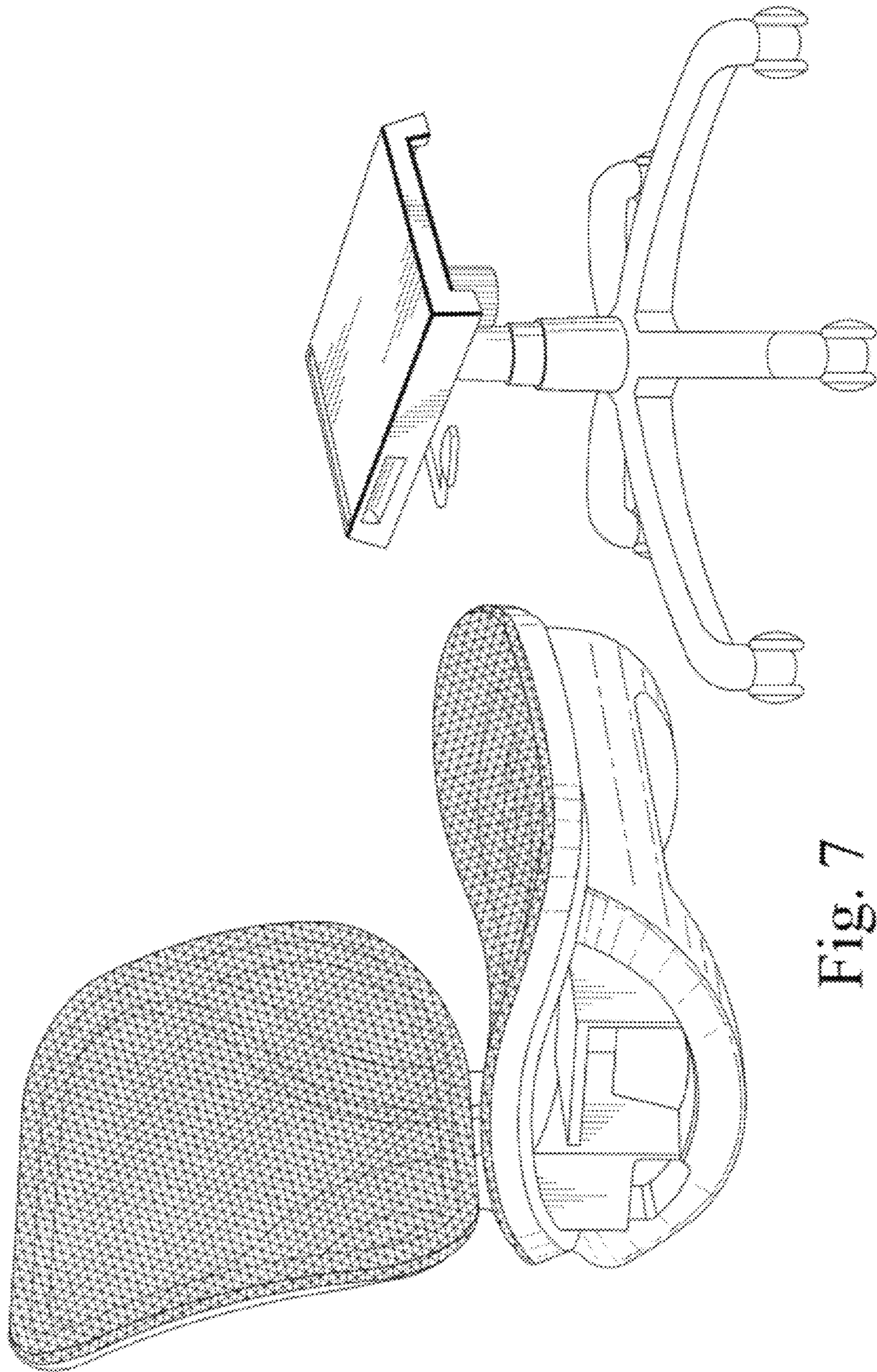


Fig. 7

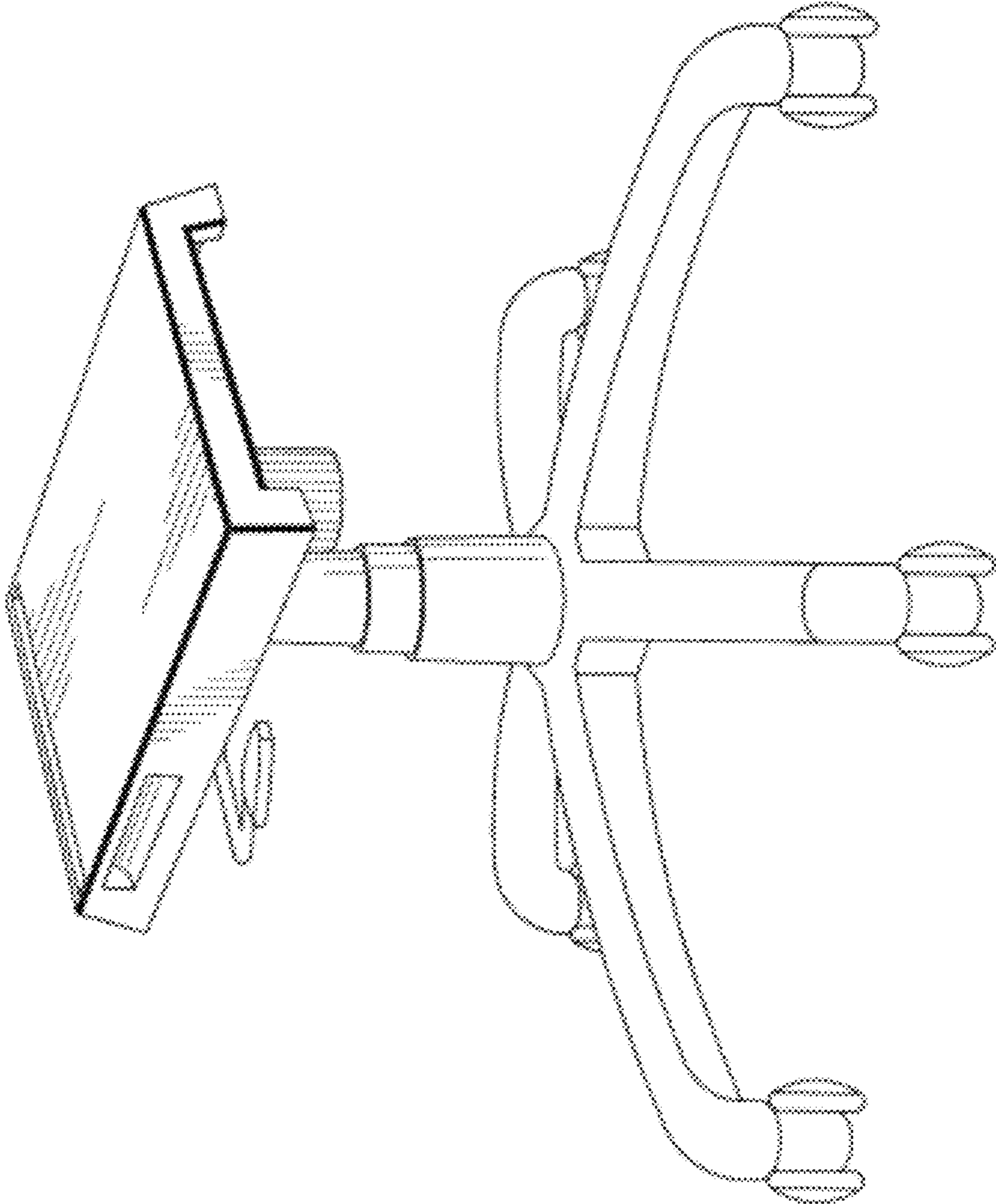


Fig. 8

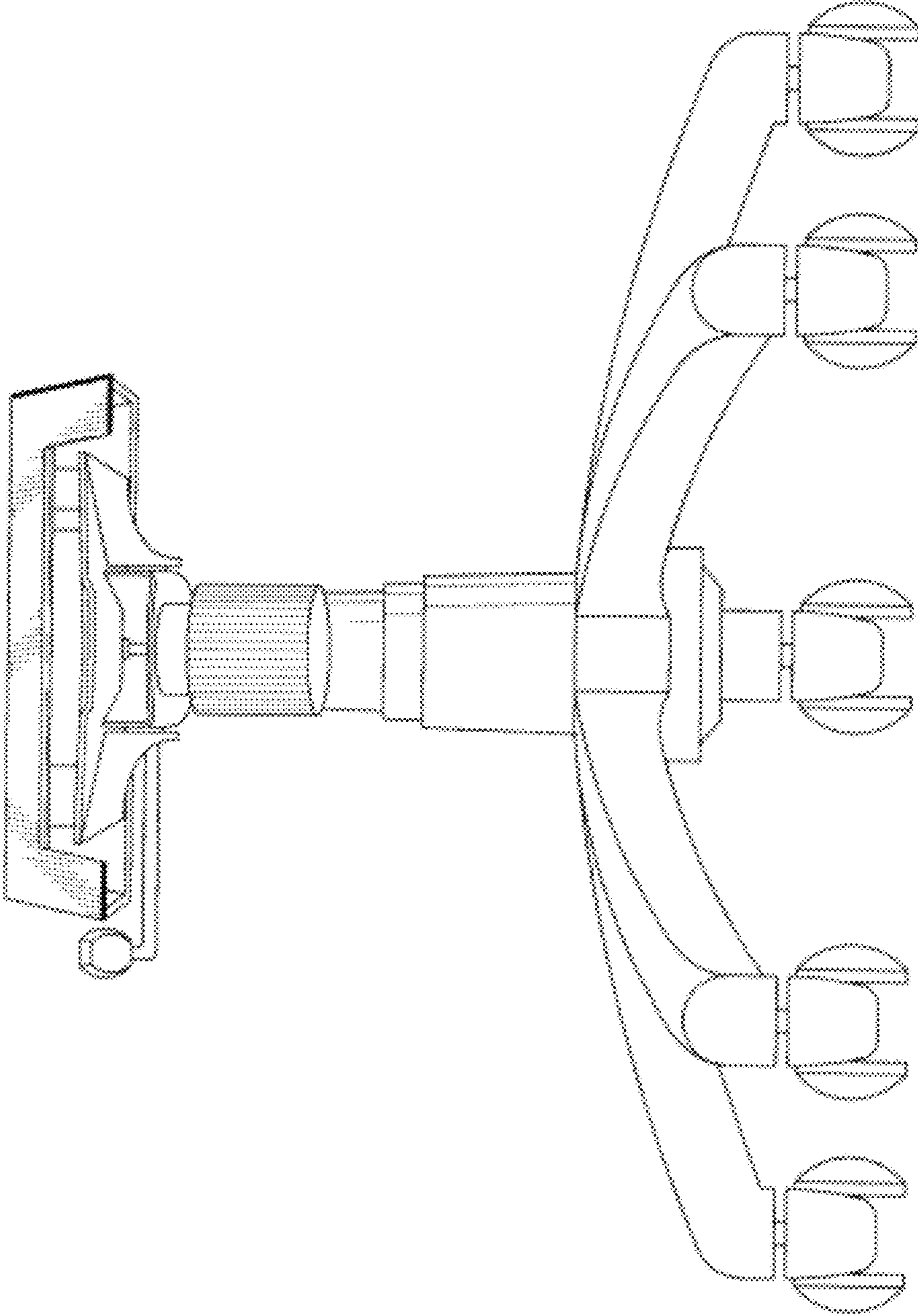


Fig. 9

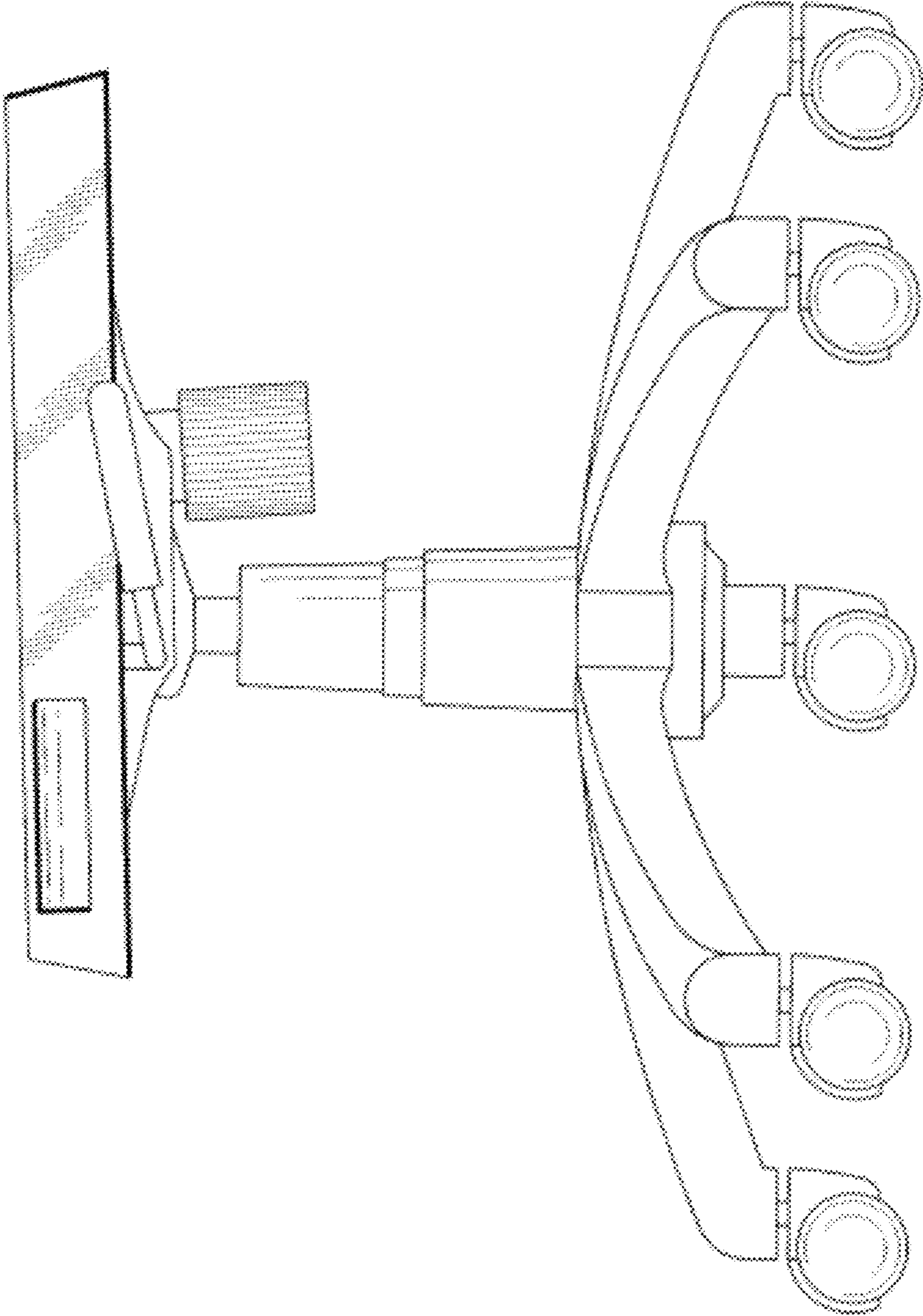


Fig. 10

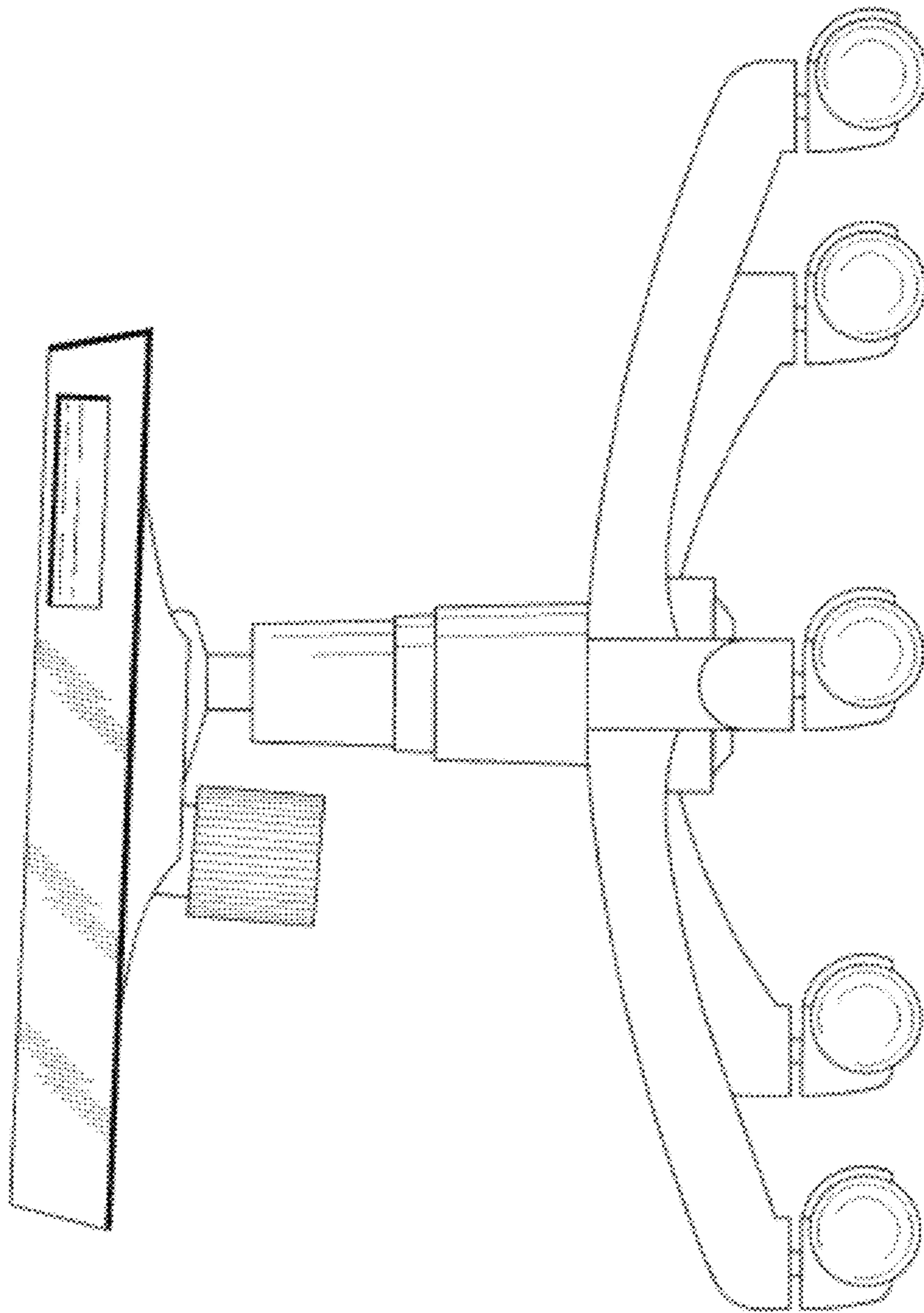


Fig. 11

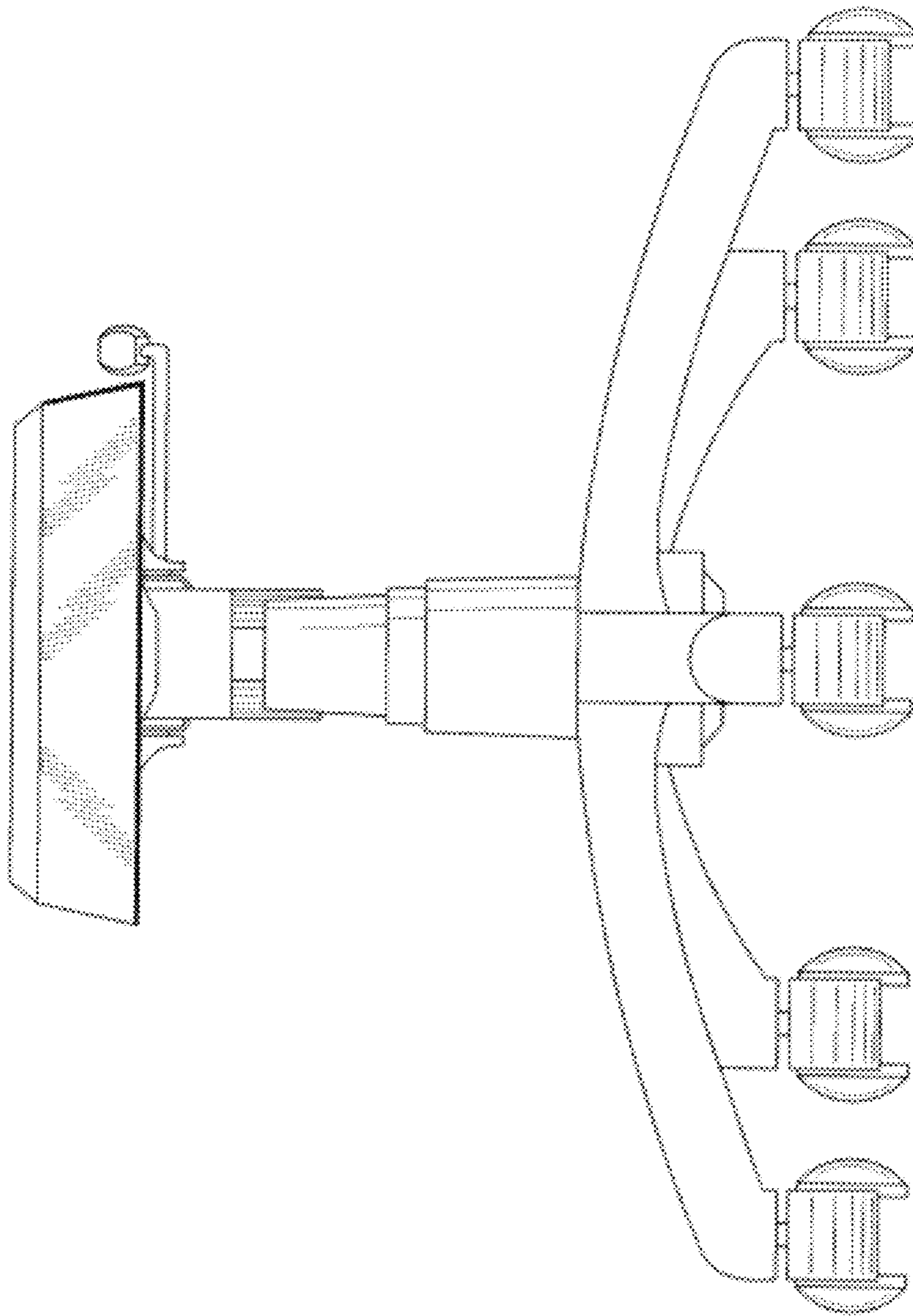


Fig. 12

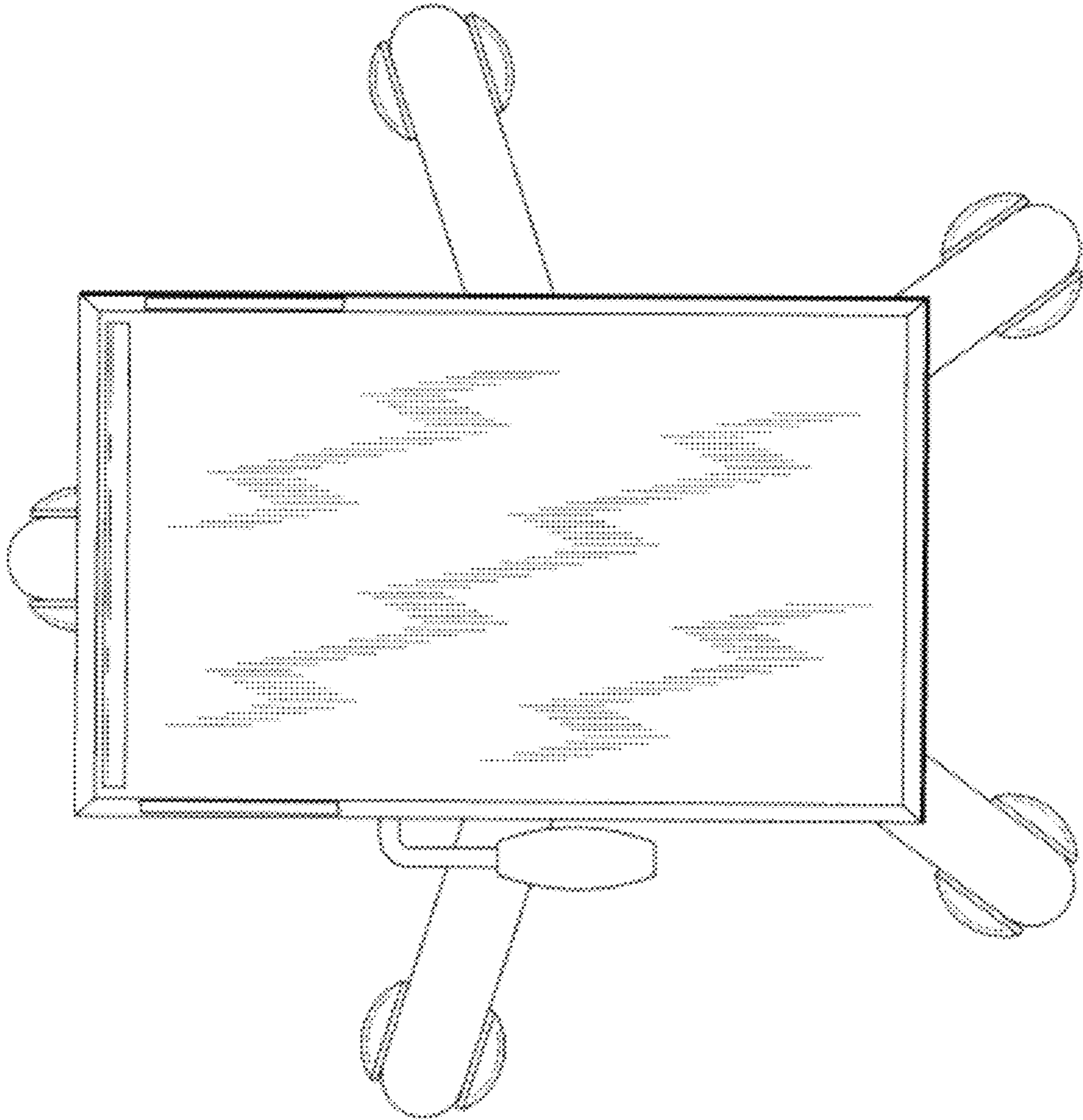


Fig. 13