



US00D675835S

(12) **United States Design Patent**
Daigre

(10) **Patent No.:** **US D675,835 S**

(45) **Date of Patent:** **** Feb. 12, 2013**

(54) **OVAL POD CHAIR**

(76) Inventor: **Alan Daigre**, Readyville, TN (US)

(**) Term: **14 Years**

(21) Appl. No.: **29/418,523**

(22) Filed: **Apr. 17, 2012**

(51) **LOC (9) Cl.** **06-01**

(52) **U.S. Cl.** **D6/349**

(58) **Field of Classification Search** D6/335,
D6/340, 349-355, 495, 500-502; 297/16.1,
297/175, 187, 195.1, 423.1, 423.11, 423.14,
297/423.16, 461, 462

See application file for complete search history.

(56) **References Cited**

U.S. PATENT DOCUMENTS

2,487,634	A *	11/1949	Buttner	297/462
2,552,693	A *	5/1951	Smith	297/462
3,125,377	A *	3/1964	Bridges	297/462
4,232,477	A *	11/1980	Lin	446/71
D398,348	S *	9/1998	Hogan	D21/707
D548,493	S *	8/2007	Diekman	D6/482
D553,308	S *	10/2007	Klein	D30/199
D581,703	S *	12/2008	Diekman	D6/482

OTHER PUBLICATIONS

Cobonpue, Kenneth. "Chiquita Chair and Stool by Kenneth Cobonpue." Internet. Available at <http://www.unicahome.com/catalog/item.asp?id=61031&PartnerID=SLI>. Visited Dec. 21, 2011.

* cited by examiner

Primary Examiner — Sandra Snapp

(74) *Attorney, Agent, or Firm* — PatentBest; Andrew McAleavey

(57) **CLAIM**

The ornamental design for an oval pod chair, as shown and described.

DESCRIPTION

FIG. 1 is a perspective view of an oval pod chair in use, illustrating my new design;

FIG. 2 is a perspective view of the oval pod chair in isolation;

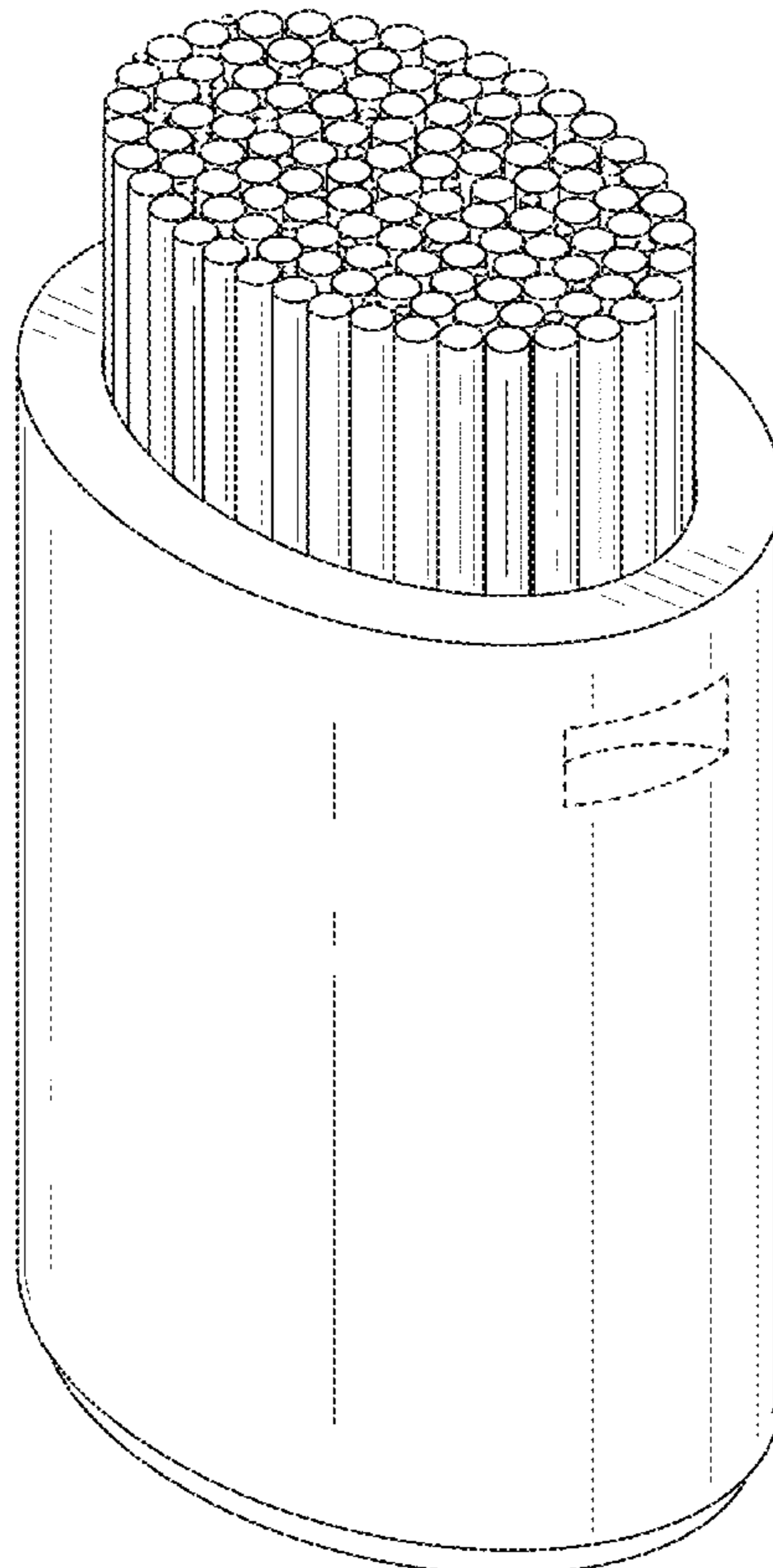
FIG. 3 is a front elevational view of the oval pod chair, the front and back being mirror images of one another;

FIG. 4 is a side elevational view of the oval pod chair, the sides being mirror images of one another; and,

FIG. 5 is a top plan view of the oval pod chair.

In the drawing figures, the broken lines immediately adjacent the shaded areas represent the bounds of the claimed design, while all other broken lines are directed to environment and are for illustrative purposes only; the broken lines form no part of the claimed design.

1 Claim, 5 Drawing Sheets



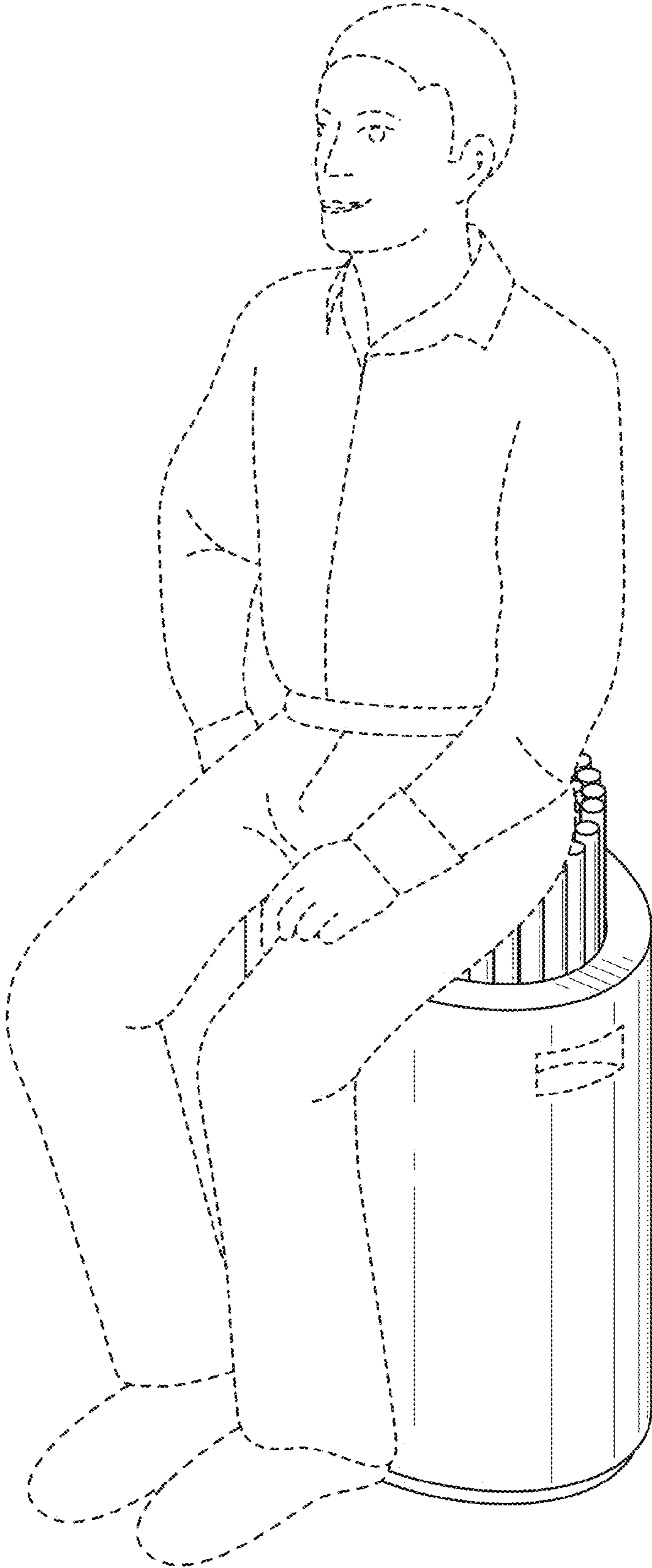


FIG. 1

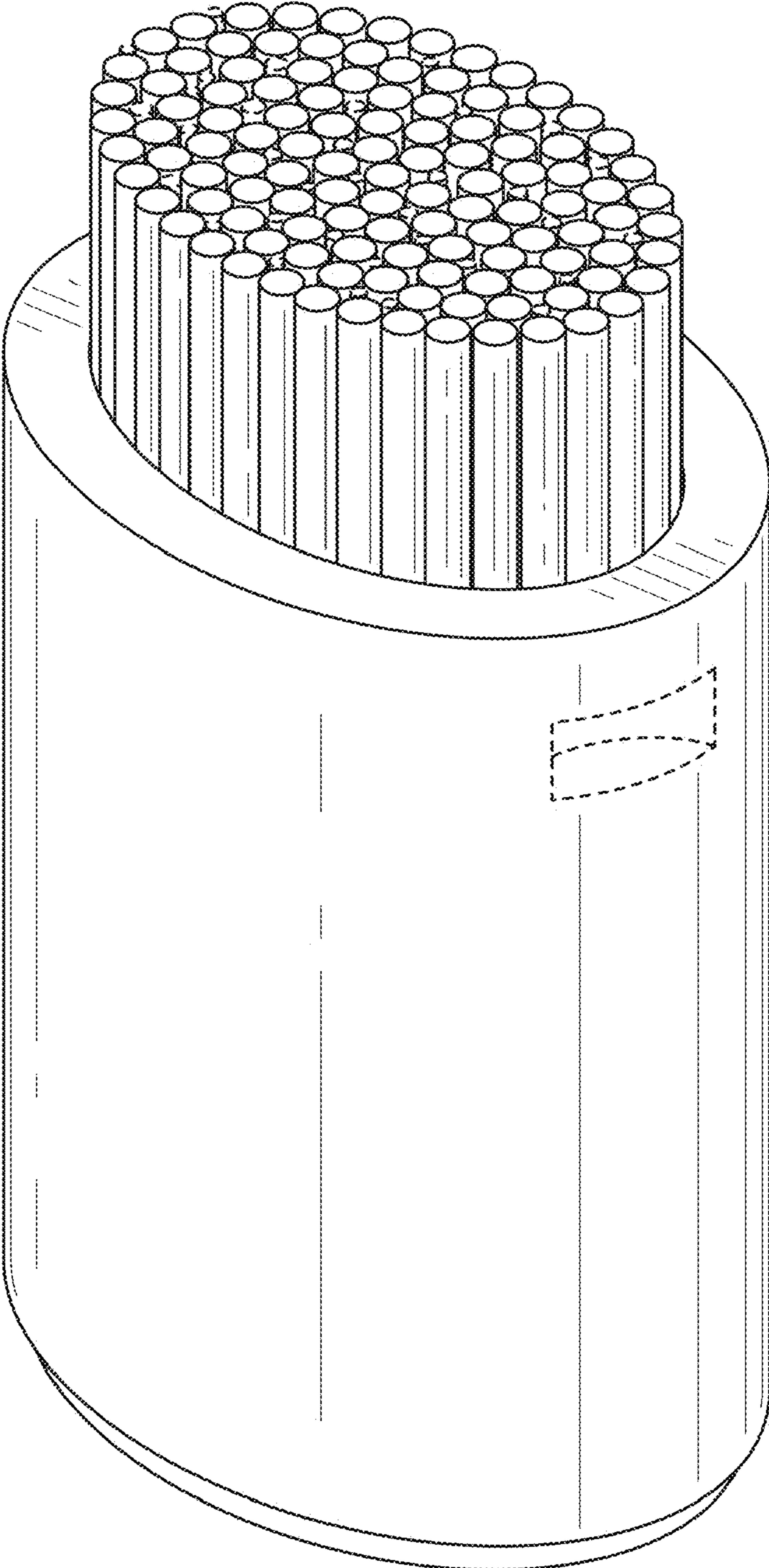


FIG. 2

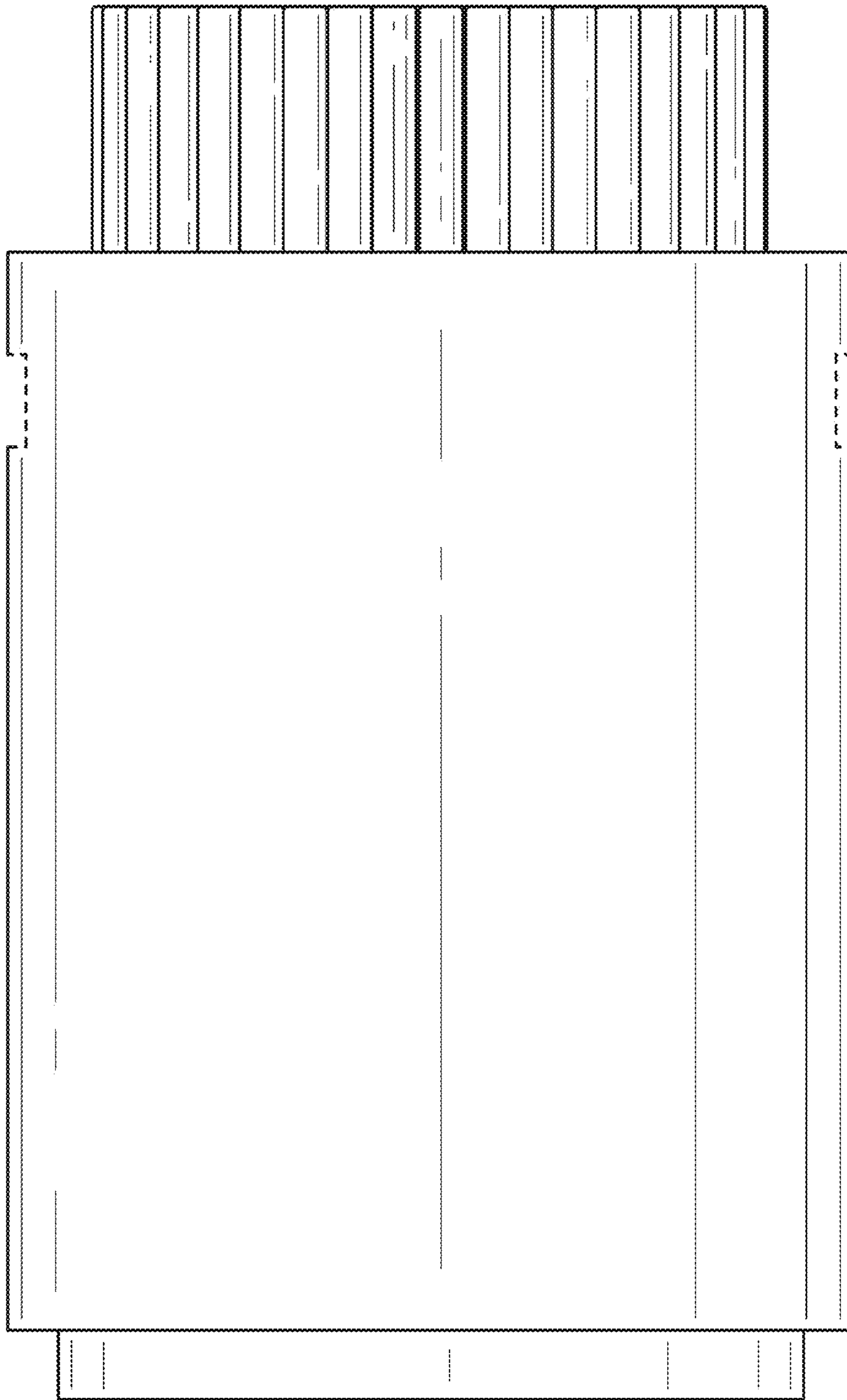


FIG. 3

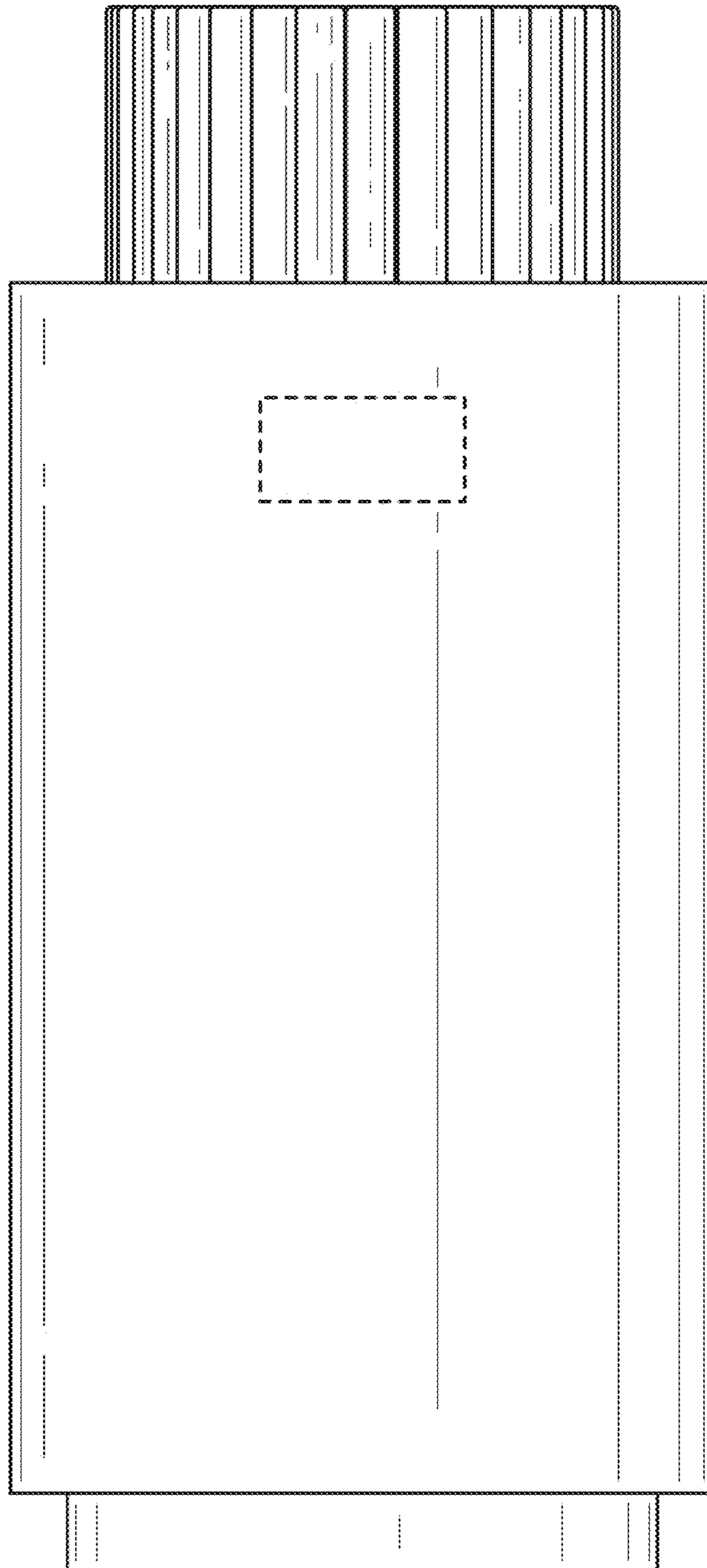


FIG. 4

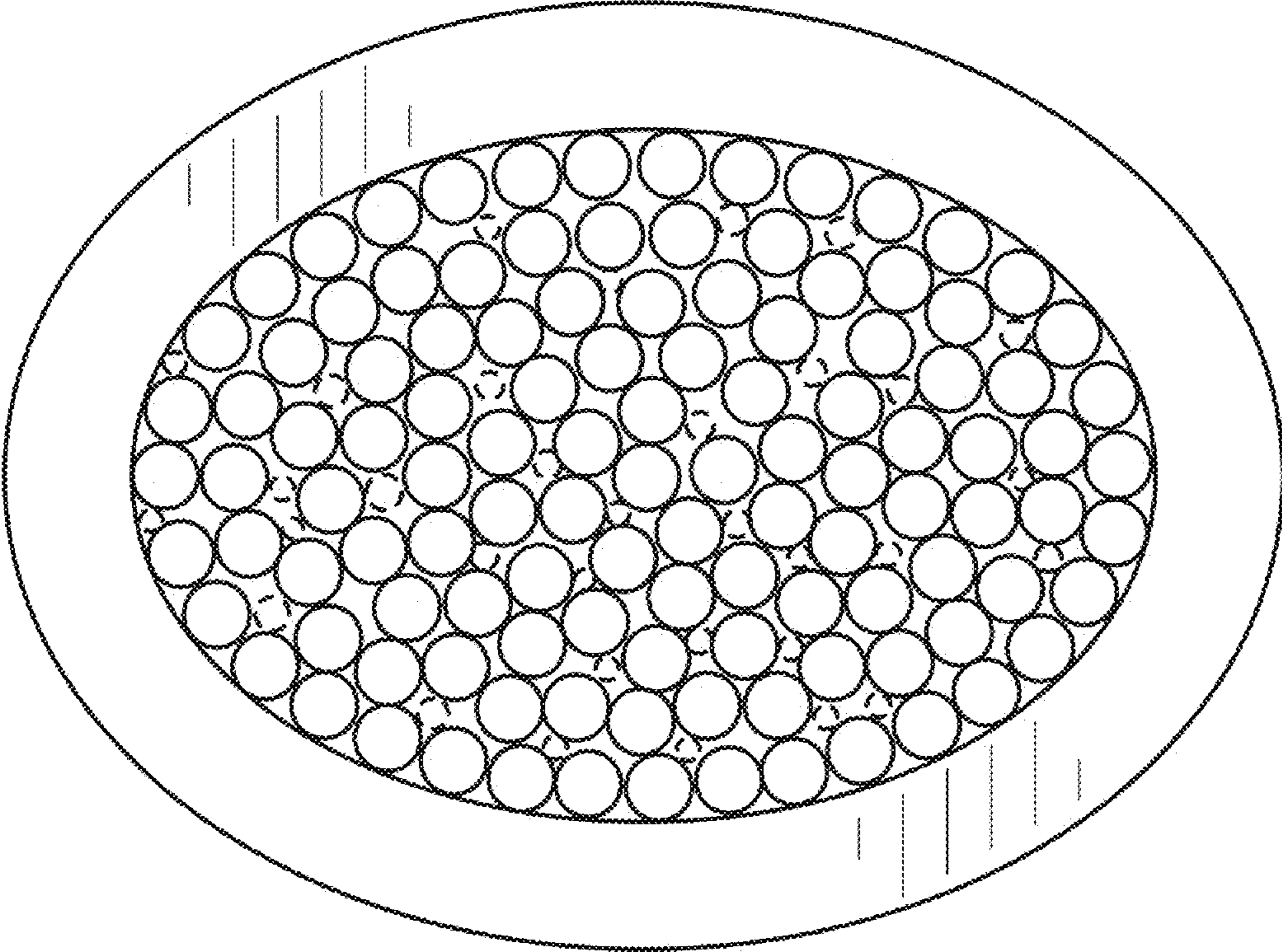


FIG. 5