



US00D675832S

(12) **United States Design Patent**
Kudo

(10) **Patent No.:** **US D675,832 S**

(45) **Date of Patent:** **** Feb. 12, 2013**

(54) **BRUSH FOR MAKEUP**

(74) *Attorney, Agent, or Firm* — Bacon & Thomas, PLLC

(75) Inventor: **Saori Kudo**, Kawaguchi (JP)

(57) **CLAIM**

(73) Assignee: **Tokiwa Corporation**, Nakatsugawa-shi, Gifu (JP)

The ornamental design for a brush for makeup, as shown and described.

(**) Term: **14 Years**

DESCRIPTION

(21) Appl. No.: **29/347,898**

(22) Filed: **Jul. 19, 2010**

(30) **Foreign Application Priority Data**

Feb. 2, 2010 (JP) 2010-002423

(51) **LOC (9) Cl.** **04-02**

(52) **U.S. Cl.** **D4/136**

(58) **Field of Classification Search** D4/114,
D4/136; D28/7, 76, 77, 88; 132/216, 218,
132/317, 320, 112, 901; 401/123, 126, 129

See application file for complete search history.

(56) **References Cited**

U.S. PATENT DOCUMENTS

5,086,793 A * 2/1992 Kingsford 132/218

6,446,637 B2 * 9/2002 Gueret 132/218

D503,539 S * 4/2005 Tani D4/114

FOREIGN PATENT DOCUMENTS

JP D1238063 S * 5/2005

JP 2005319004 A * 11/2005

JP 2009125160 A * 6/2009

JP 2010094186 A * 4/2010

TW D101426 S * 11/2004

* cited by examiner

Primary Examiner — Melanie H Tung

Assistant Examiner — Lavone D Tabor

FIG. 1 is a front view of a brush for makeup showing my new design;

FIG. 2 is a rear view thereof;

FIG. 3 is a plan view thereof;

FIG. 4 is a bottom view thereof;

FIG. 5 is an enlarged right side view thereof;

FIG. 6 is an enlarged left side view thereof;

FIG. 7 is a perspective view thereof;

FIG. 8 is an enlarged sectional view taken along line 8-8 in FIG. 3;

FIG. 9 is an enlarged elevation view of a first tooth portion taken in the direction of line 9-9 in FIG. 14;

FIG. 10 is an enlarged elevation view of a second tooth portion taken in the direction of line 10-10 in FIG. 14;

FIG. 11 is an enlarged elevation view of a third tooth portion taken in the direction of line 11-11 in FIG. 14;

FIG. 12 is an enlarged elevation view of a fourth tooth portion taken in the direction of line 12-12 in FIG. 14;

FIG. 13 is an enlarged elevation view of a fifth tooth portion taken in the direction of line 13-13 in FIG. 14;

FIG. 14 is an enlarged perspective view thereof;

FIG. 15 is a perspective view thereof with the teeth omitted for clarity of illustration only; and,

FIG. 16 is a reduced front view of the brush shown in use.

The portions of the brush shown in broken lines form no part of the claimed design.

The broken lines showing a human head are for illustrative purposes only and form no part of the claimed design.

1 Claim, 8 Drawing Sheets



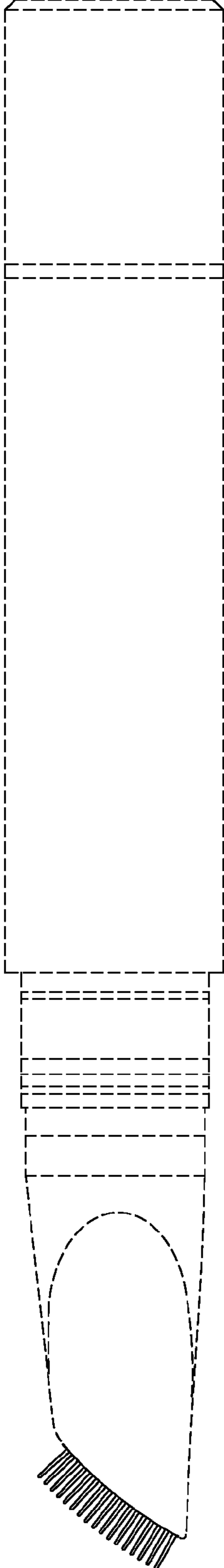


FIG. 1

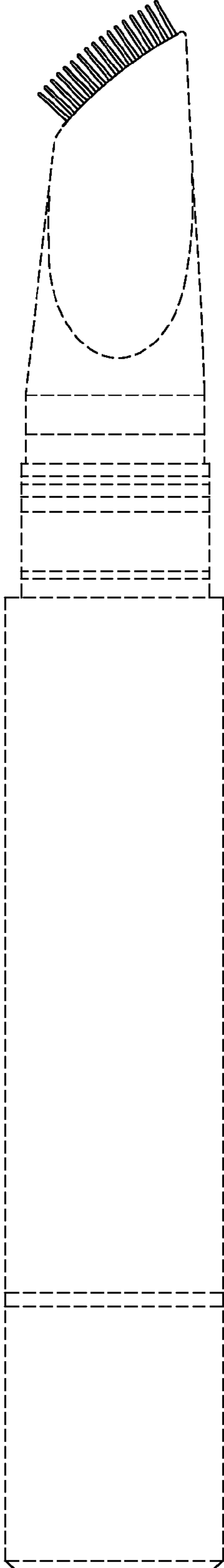


FIG. 2

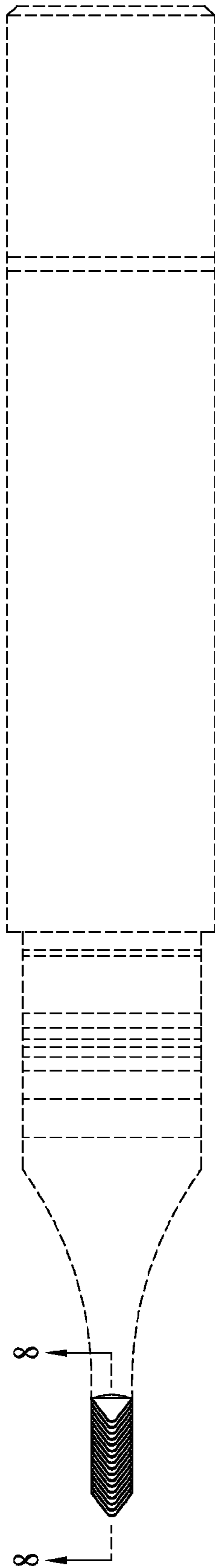


FIG. 3

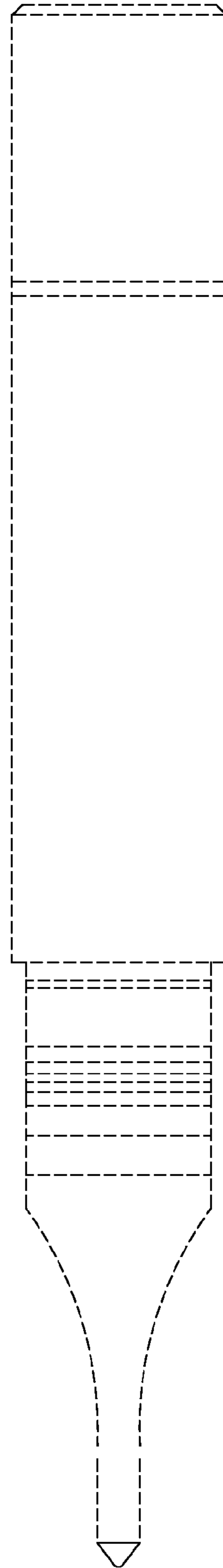


FIG. 4

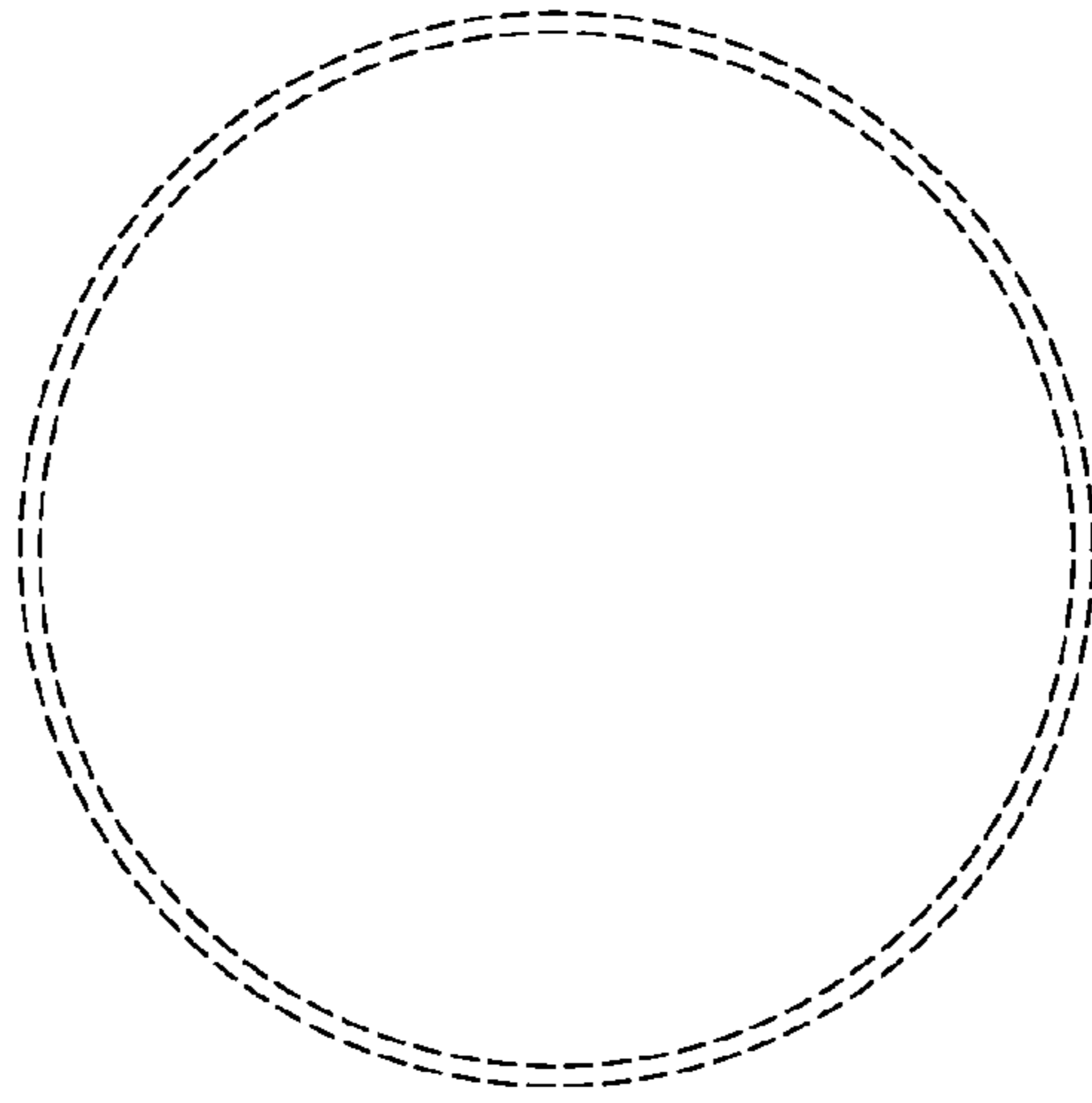


FIG. 5

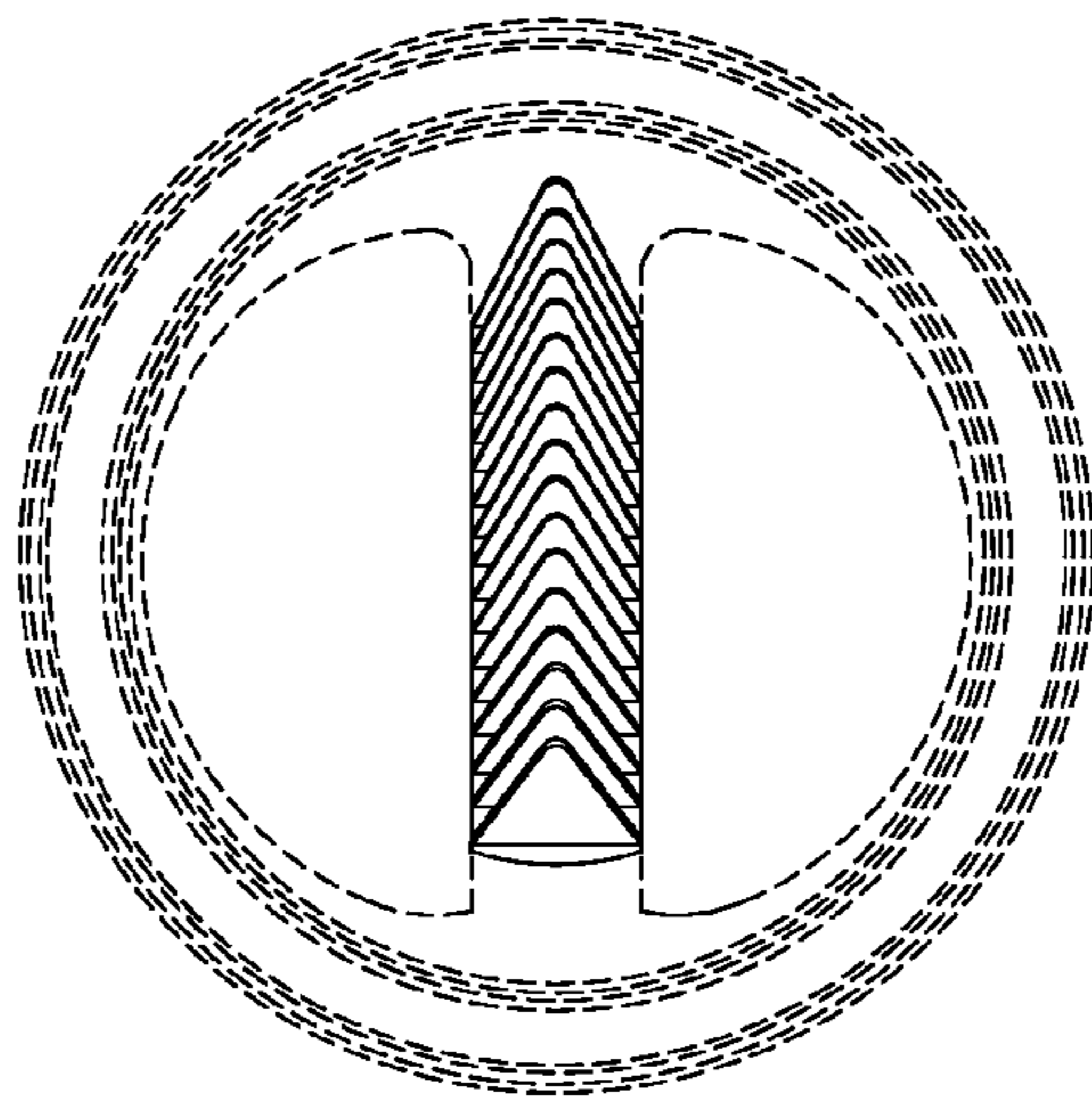


FIG. 6

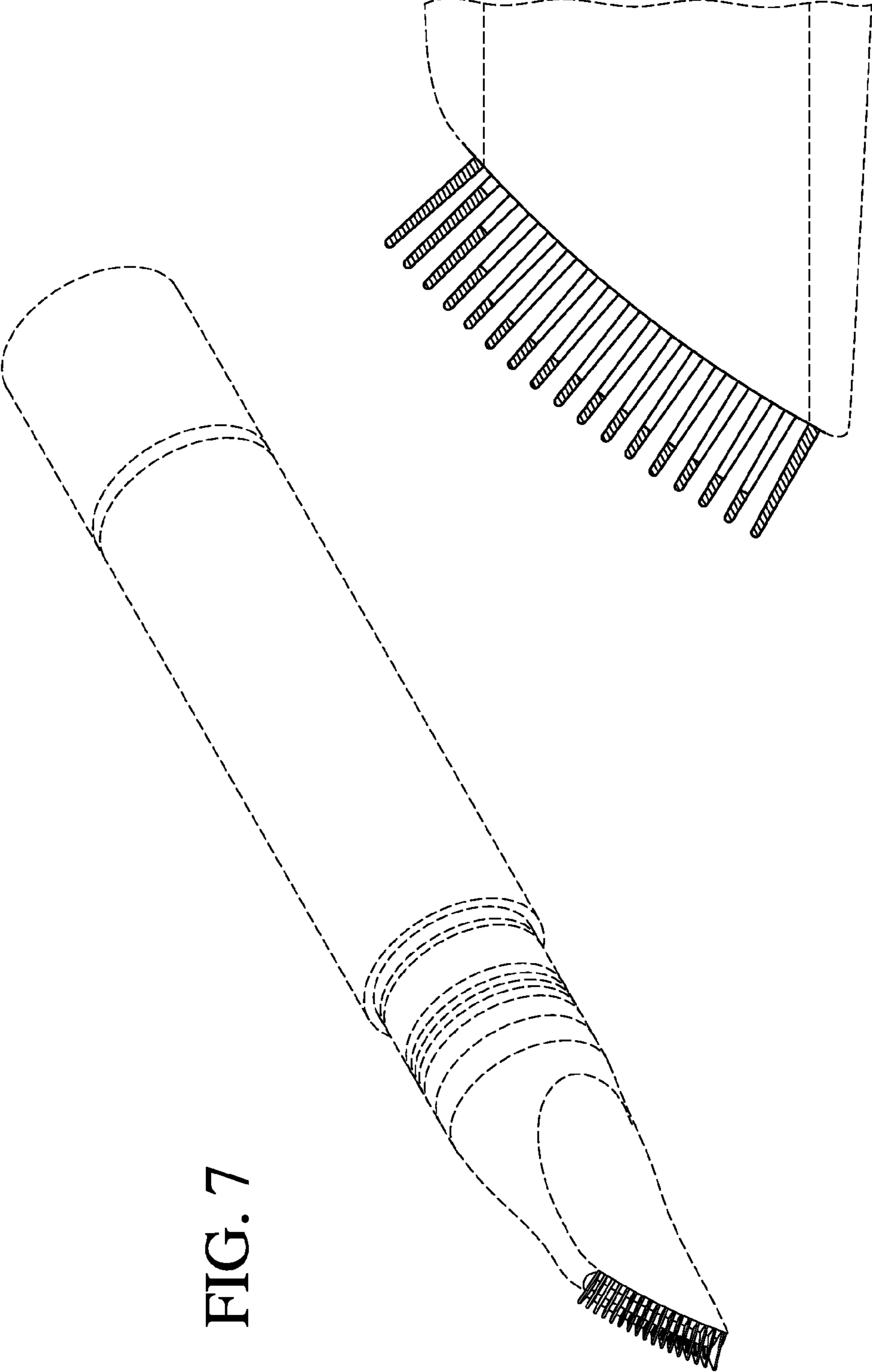


FIG. 7

FIG. 8

FIG. 9

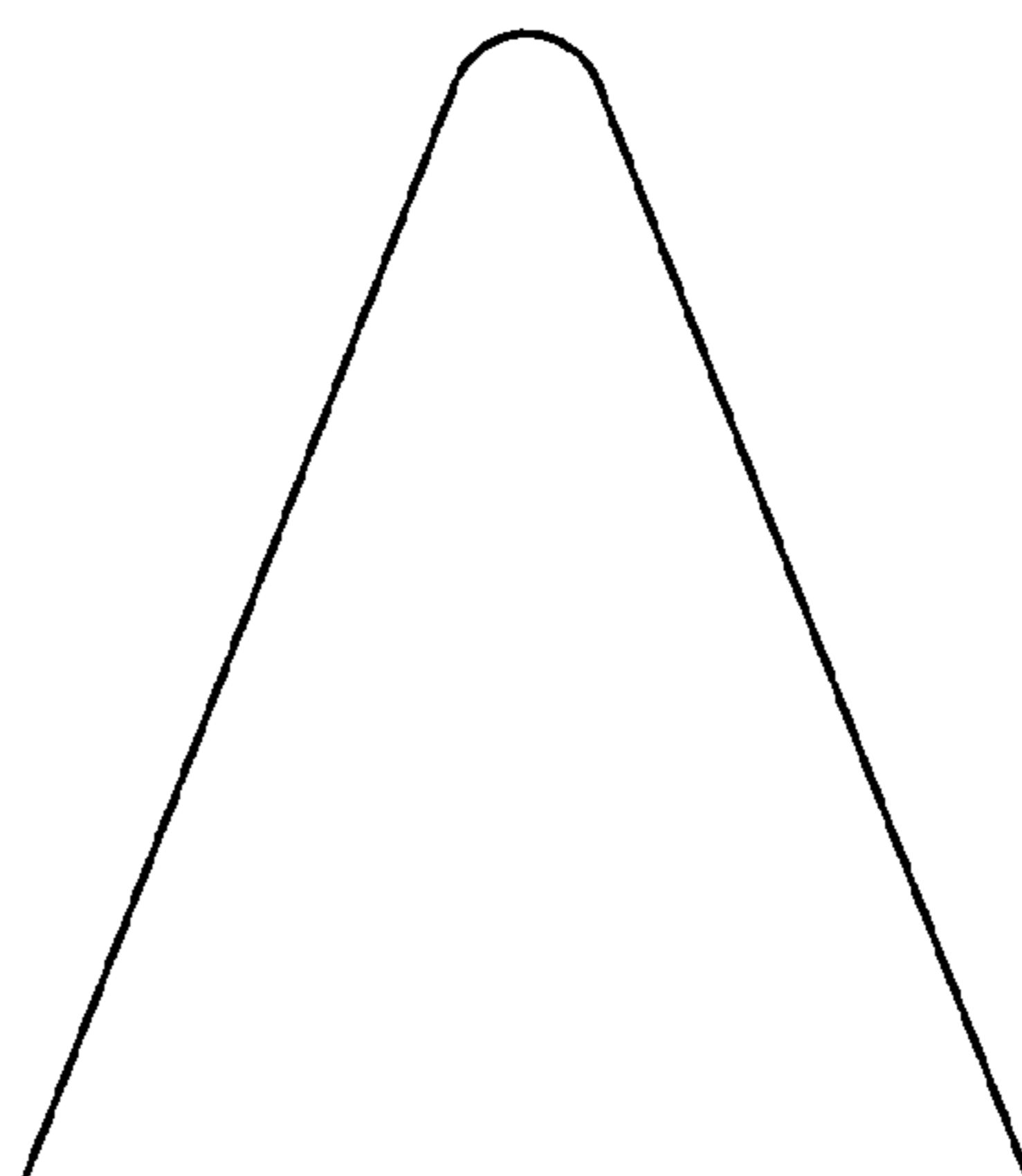


FIG. 10

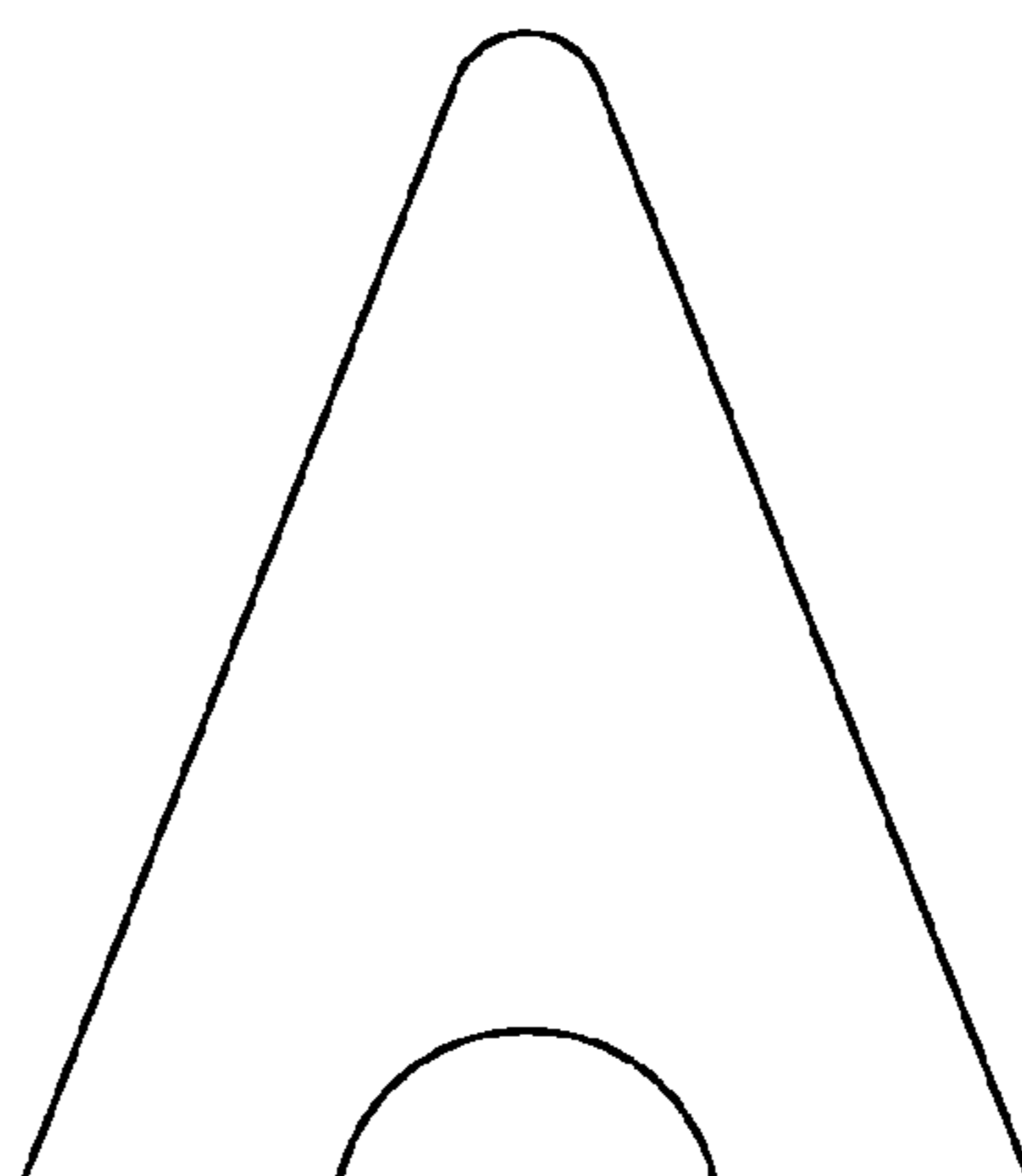
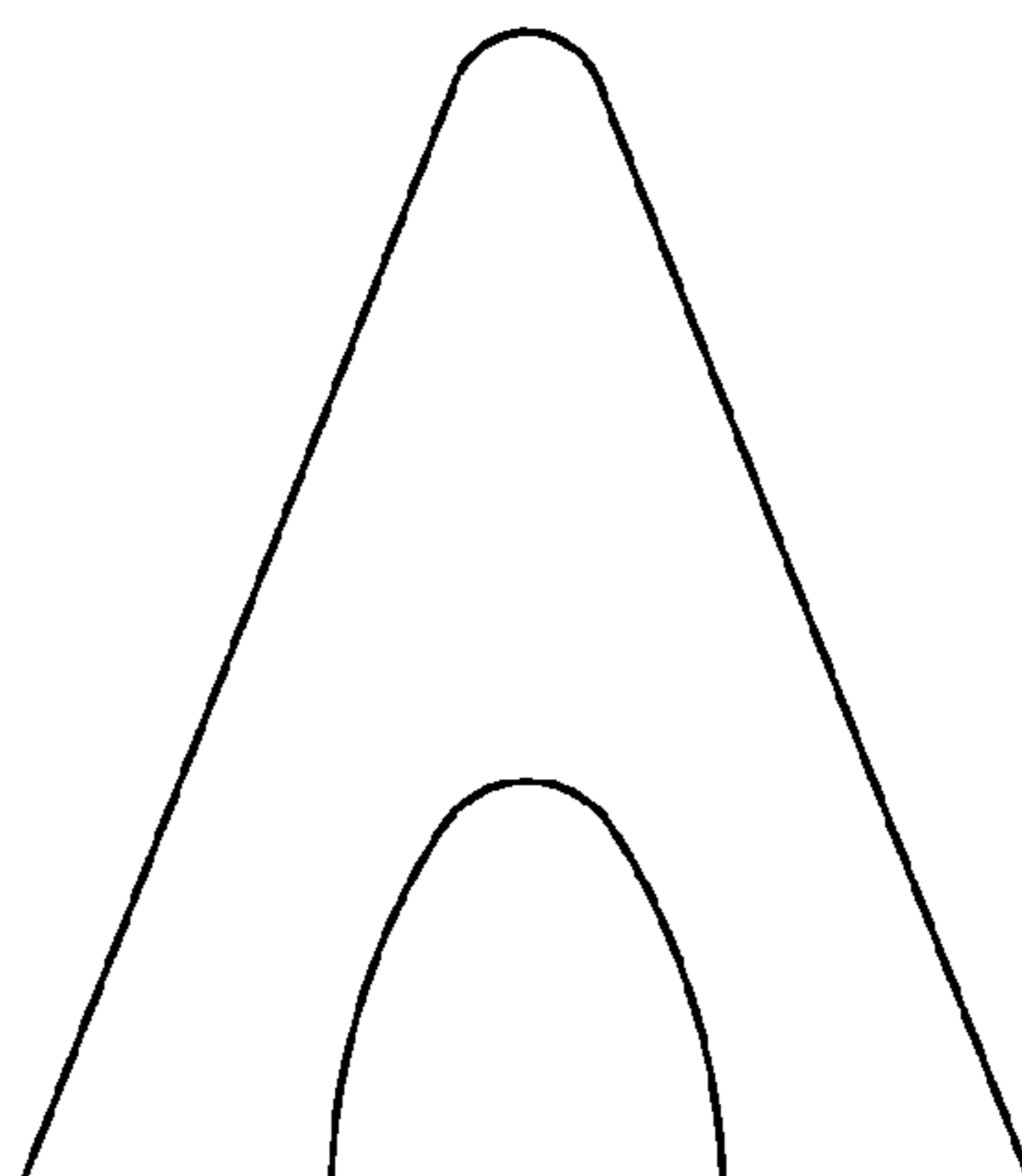


FIG. 11



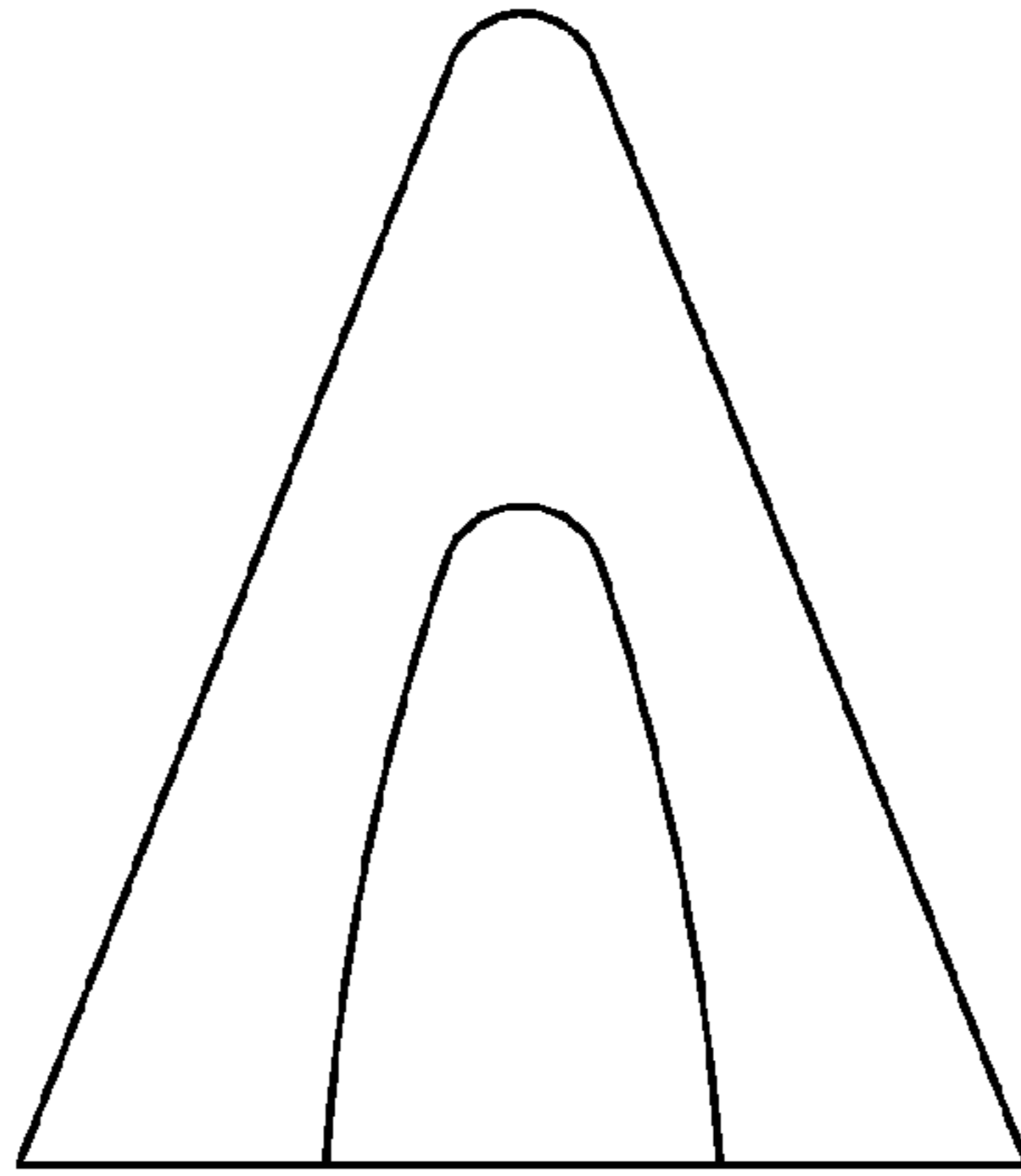


FIG. 12

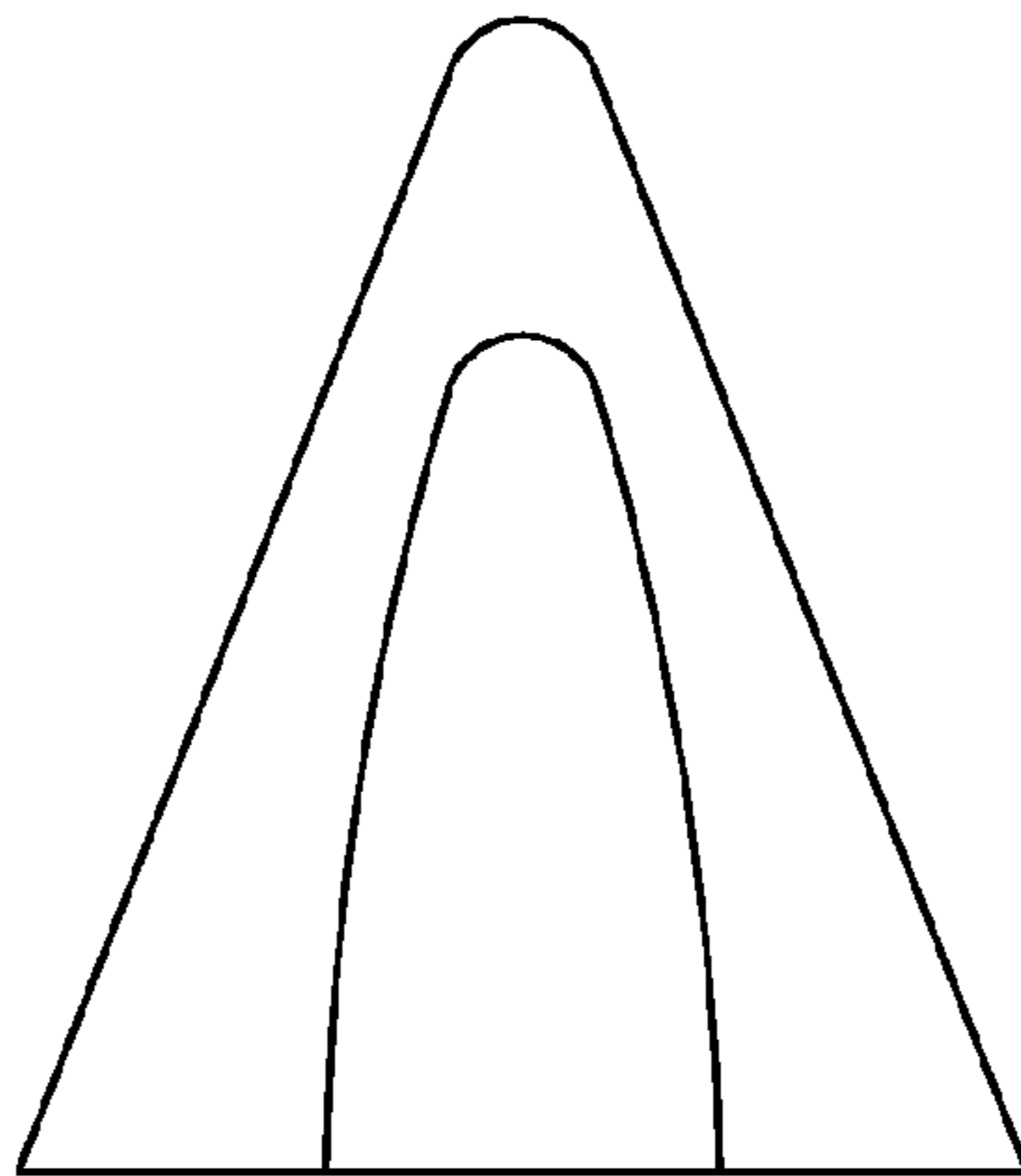


FIG. 13

FIG. 14

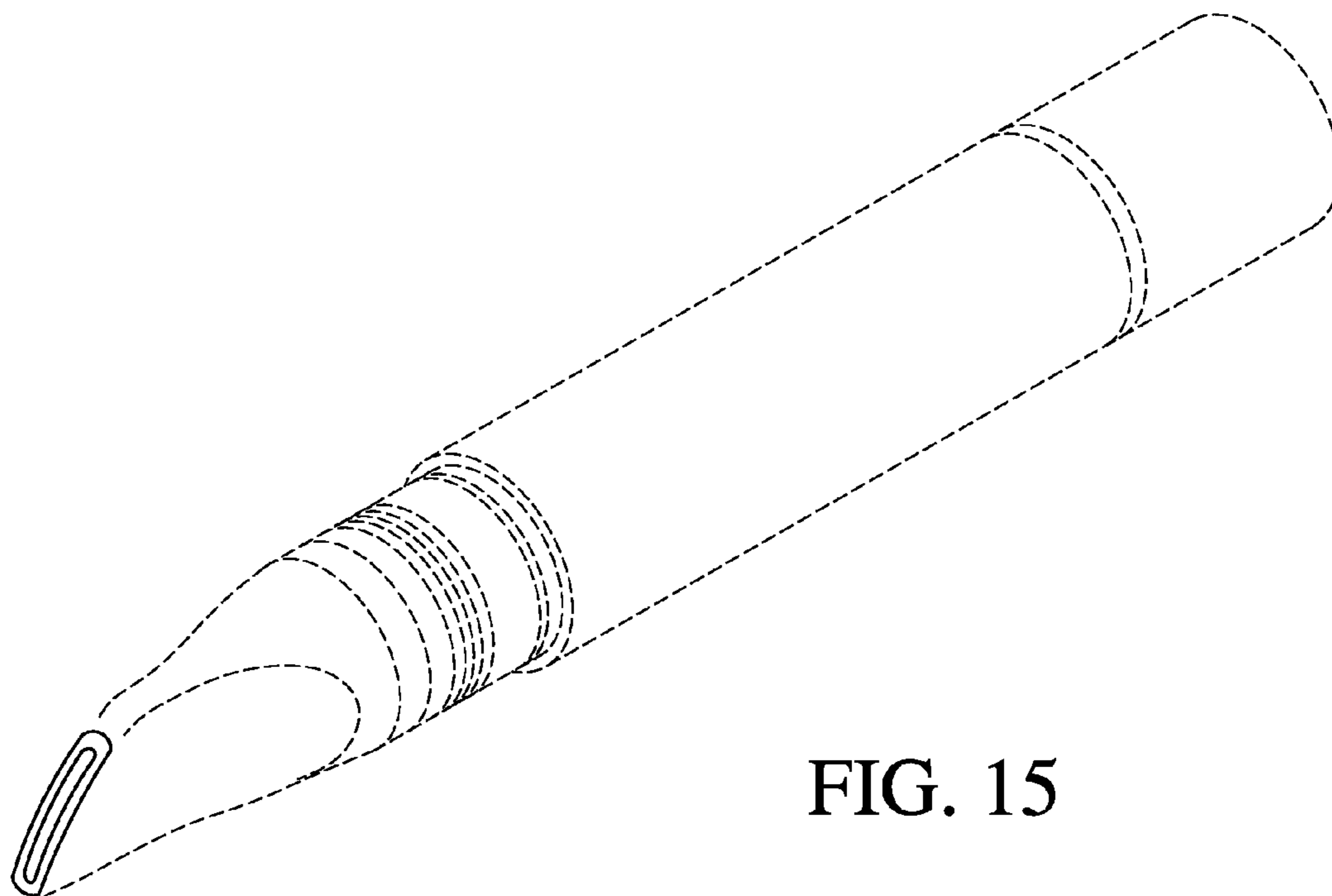
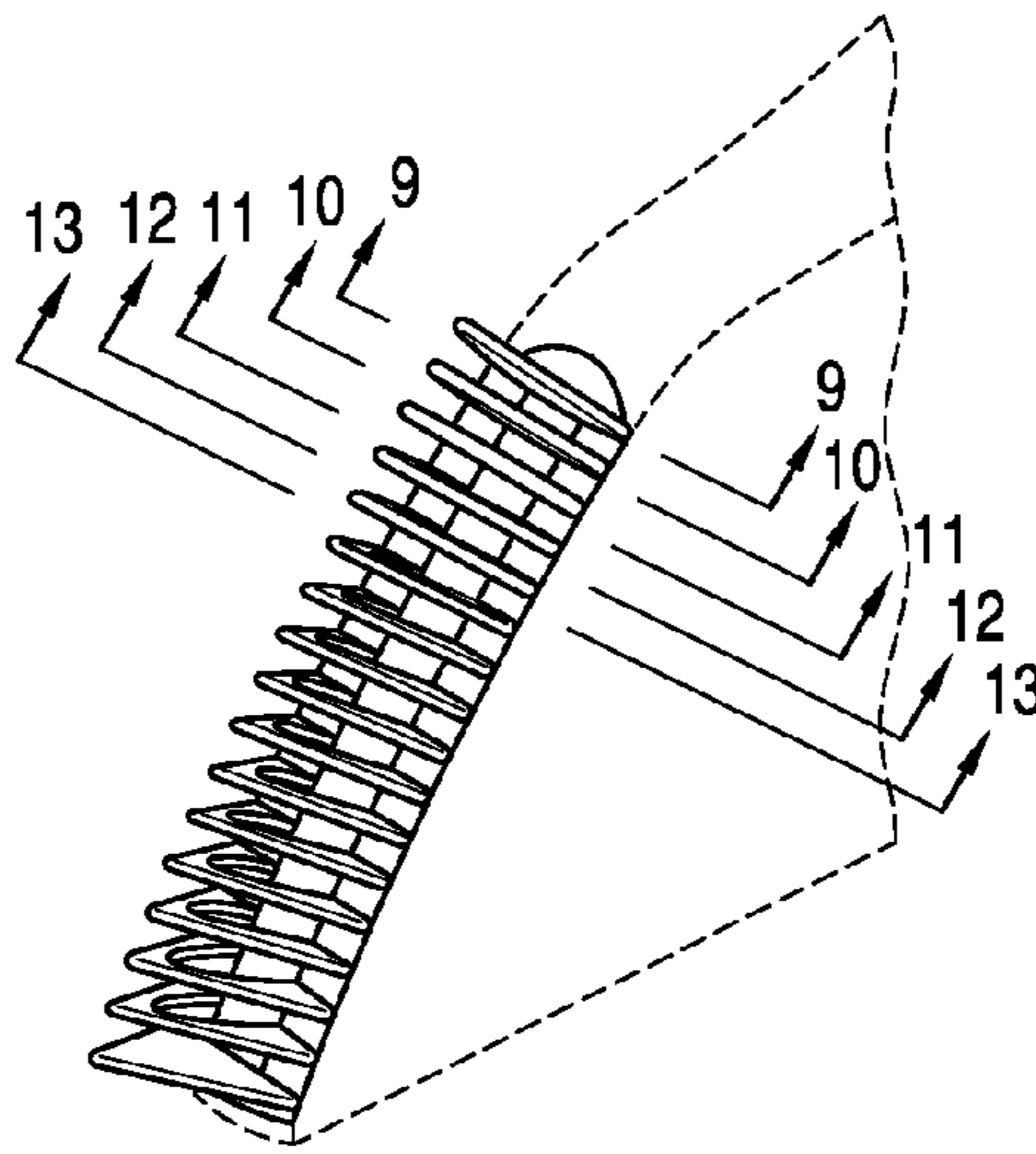


FIG. 15

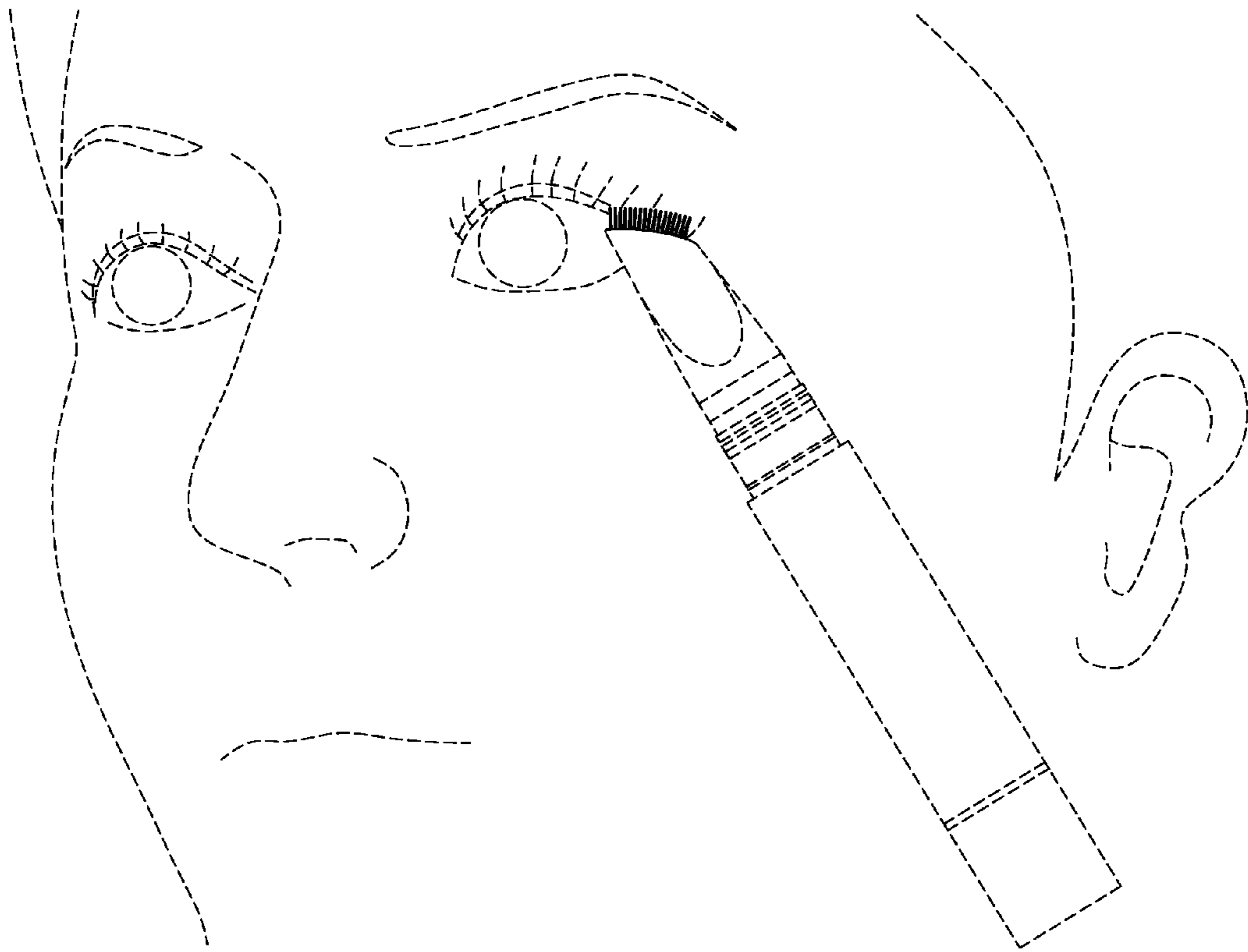


FIG. 16