



US00D675827S

(12) **United States Design Patent**
Dunford

(10) **Patent No.:** **US D675,827 S**

(45) **Date of Patent:** **** Feb. 12, 2013**

(54) **STACKABLE CONTAINER**

DESCRIPTION

- (75) Inventor: **Bryan P. Dunford**, Johns Creek, GA (US)
- (73) Assignee: **Advantus, Corp.**, Jacksonville, FL (US)
- (**) Term: **14 Years**
- (21) Appl. No.: **29/401,703**
- (22) Filed: **Sep. 14, 2011**
- (51) **LOC (9) Cl.** **03-01**
- (52) **U.S. Cl.** **D3/318**
- (58) **Field of Classification Search** D3/300, D3/302, 282, 201, 203.2, 203.5, 206, 269, D3/273, 293, 905, 247-250, 261, 231, 327, D3/318, 214, 216, 304; D7/612; D9/418, D9/707, 709; 206/216, 223, 372, 379, 549, 206/473, 39, 39.5, 776, 530-534, 540; 190/108-111
See application file for complete search history.

FIG. 1 is a bottom, front, right perspective view of a first embodiment of a stackable container; FIG. 2 is a bottom plan view thereof; FIG. 3 is a top plan view thereof; FIG. 4 is a left side elevational view thereof, the right side being a mirror image thereof; FIG. 5 is a front elevational view thereof, the rear being a mirror image thereof; FIG. 6 is a top, front, right perspective view thereof with the top removed for clarity of illustration; FIG. 7 is a bottom plan view of a second embodiment of a stackable container; FIG. 8 is a top plan view thereof; FIG. 9 is a left side elevational view thereof, the right side being a mirror image thereof; FIG. 10 is a front elevational view thereof; FIG. 11 is a top, front perspective view thereof, and with the top removed being identical to FIG. 6, except the scale thereof; FIG. 12 is a bottom plan view of a third embodiment of a stackable container; FIG. 13 is a top plan view thereof; FIG. 14 is a left side elevational view thereof, the right side being a mirror image thereof; FIG. 15 is a front elevational view thereof, the rear being a mirror image thereof; FIG. 16 is a top, front perspective view thereof, and with the top removed being identical to FIG. 6 except the scale thereof; FIG. 17 is a bottom plan view of a fourth embodiment of a stackable container; FIG. 18 is a top plan view thereof; FIG. 19 is a left side elevational view thereof, the right side being a mirror image thereof; FIG. 20 is a front elevational view thereof, the rear being a mirror image thereof; and, FIG. 21 is a top, front perspective view thereof, and with the top removed being identical to FIG. 6 except the scale thereof. The portions of the stackable container shown in broken lines in FIGS. 1-21 form no part of the claimed design.

(56) **References Cited**

U.S. PATENT DOCUMENTS

4,571,740	A *	2/1986	Kirby et al.	455/344
D328,425	S *	8/1992	Brightbill	D3/282
D330,162	S *	10/1992	Verchere	D3/281
D336,366	S *	6/1993	Slayton	D3/282
D358,765	S *	5/1995	Dickinson et al.	D3/279
D419,767	S *	2/2000	Richardson et al.	D3/273
D431,359	S *	10/2000	Lapidus	D3/273
D594,657	S *	6/2009	McAlpine	D3/273
D639,065	S *	6/2011	Duvigneau	D3/302

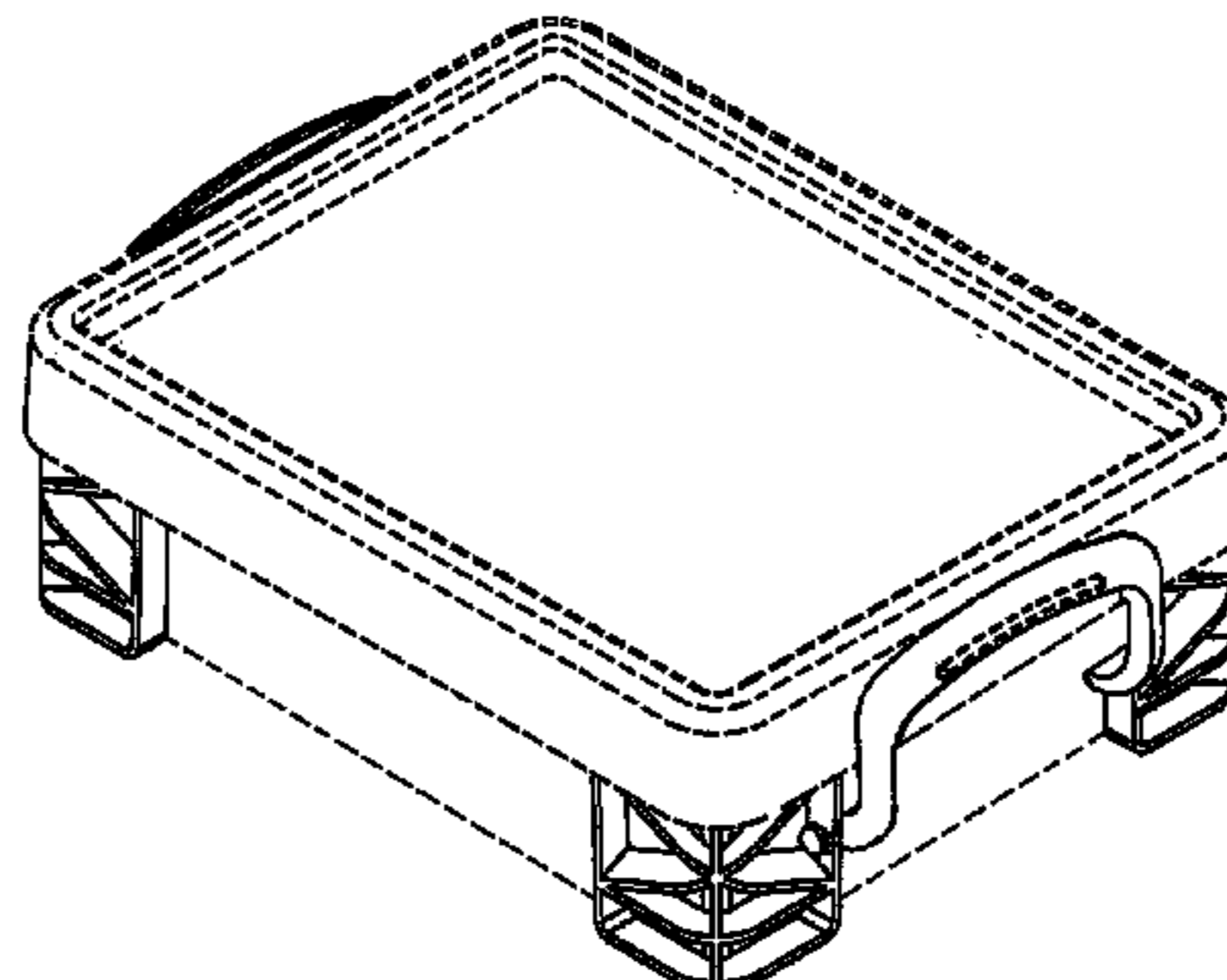
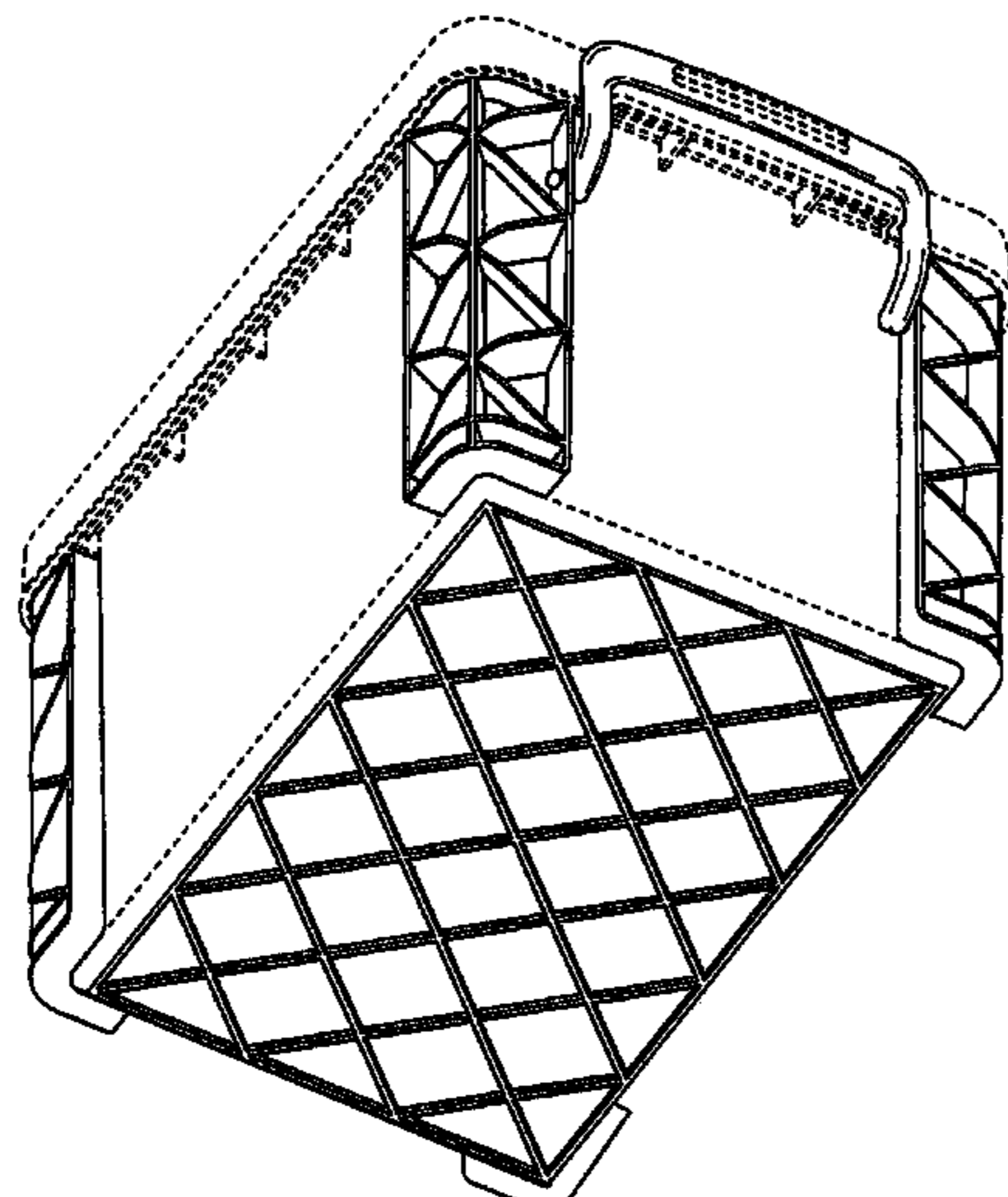
* cited by examiner

Primary Examiner — Sheryl Lane
(74) *Attorney, Agent, or Firm* — Arthur G. Yeager

(57) **CLAIM**

The ornamental design for a stackable container, as shown and described.

1 Claim, 12 Drawing Sheets



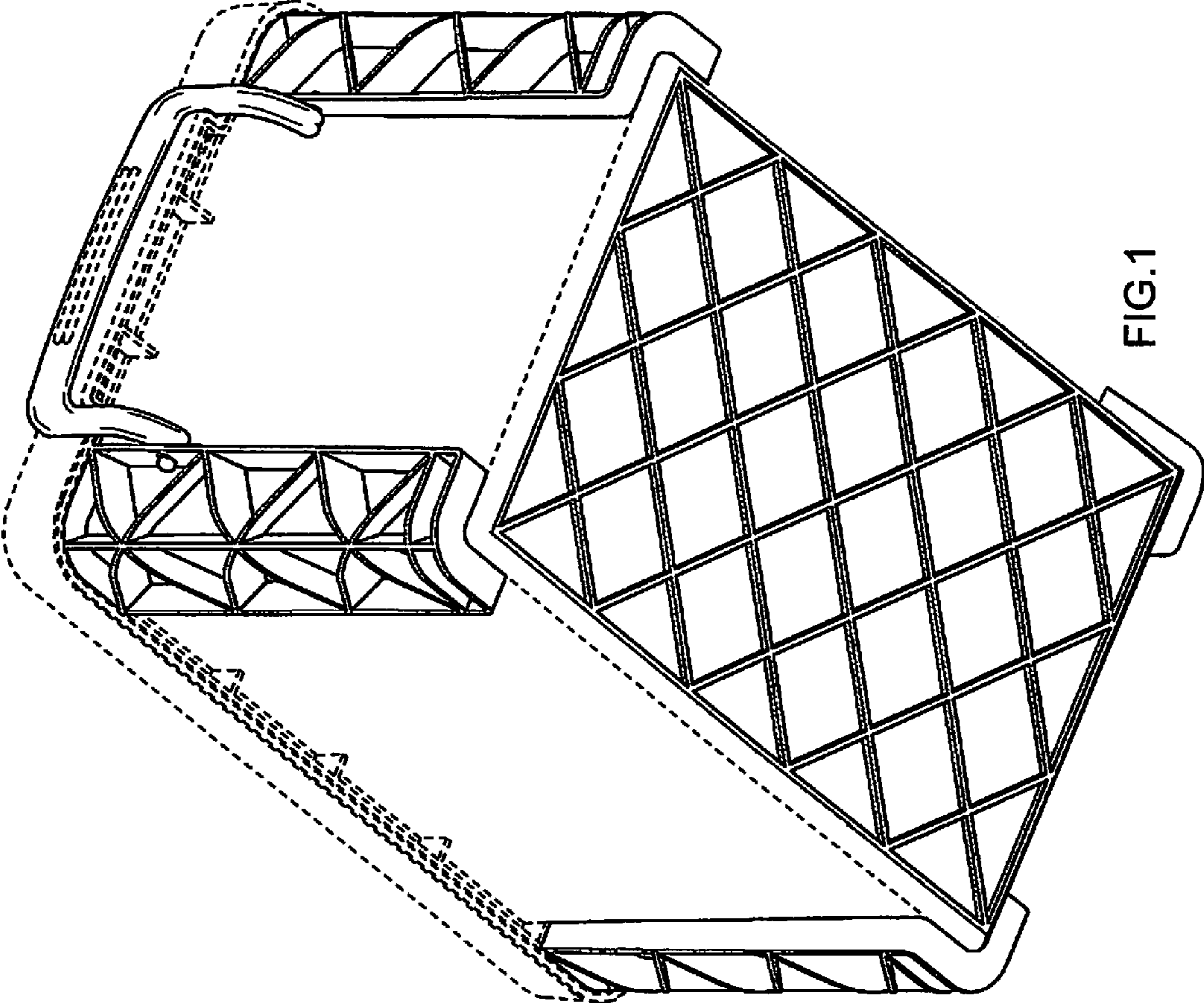


FIG.1

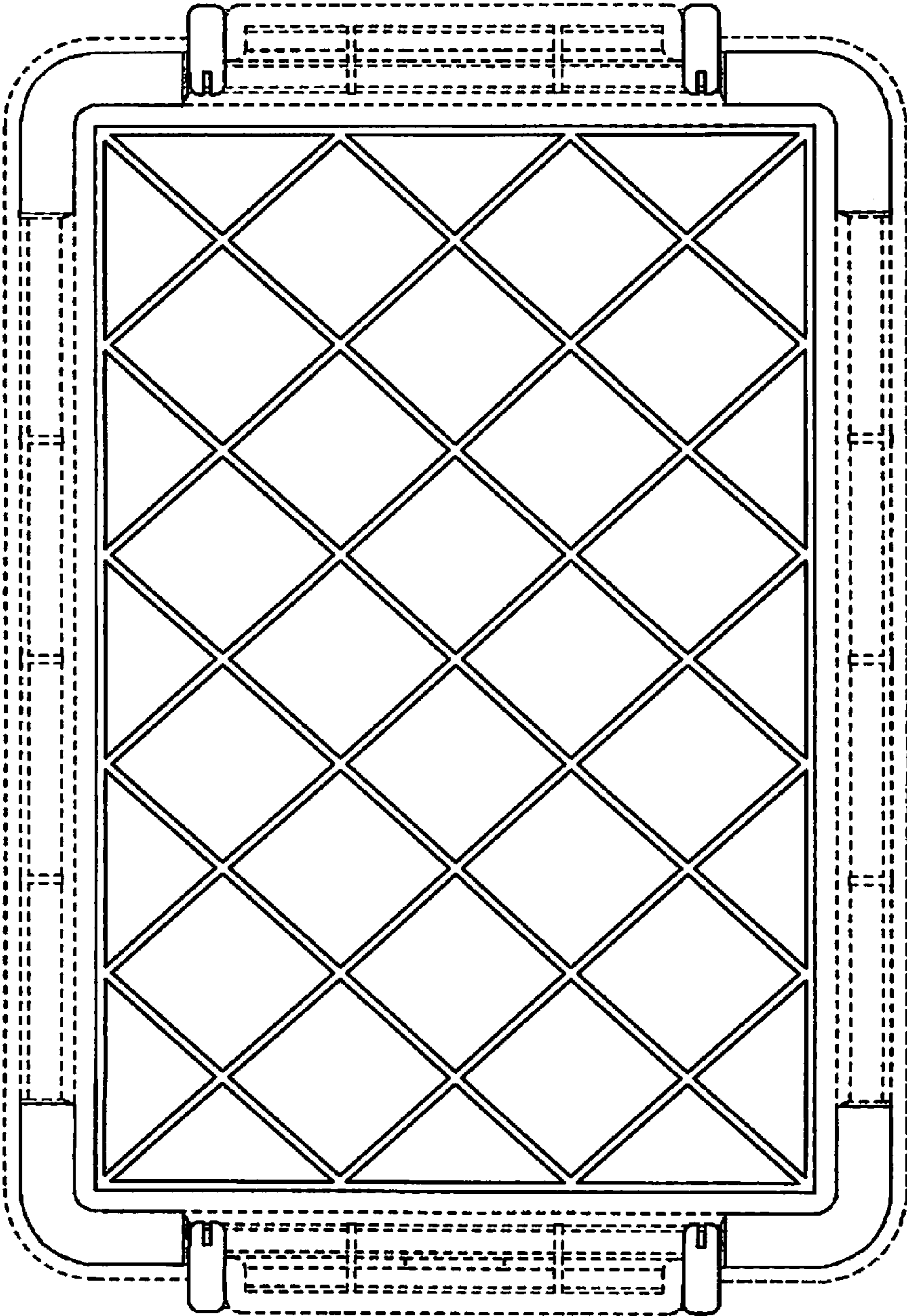


FIG.2

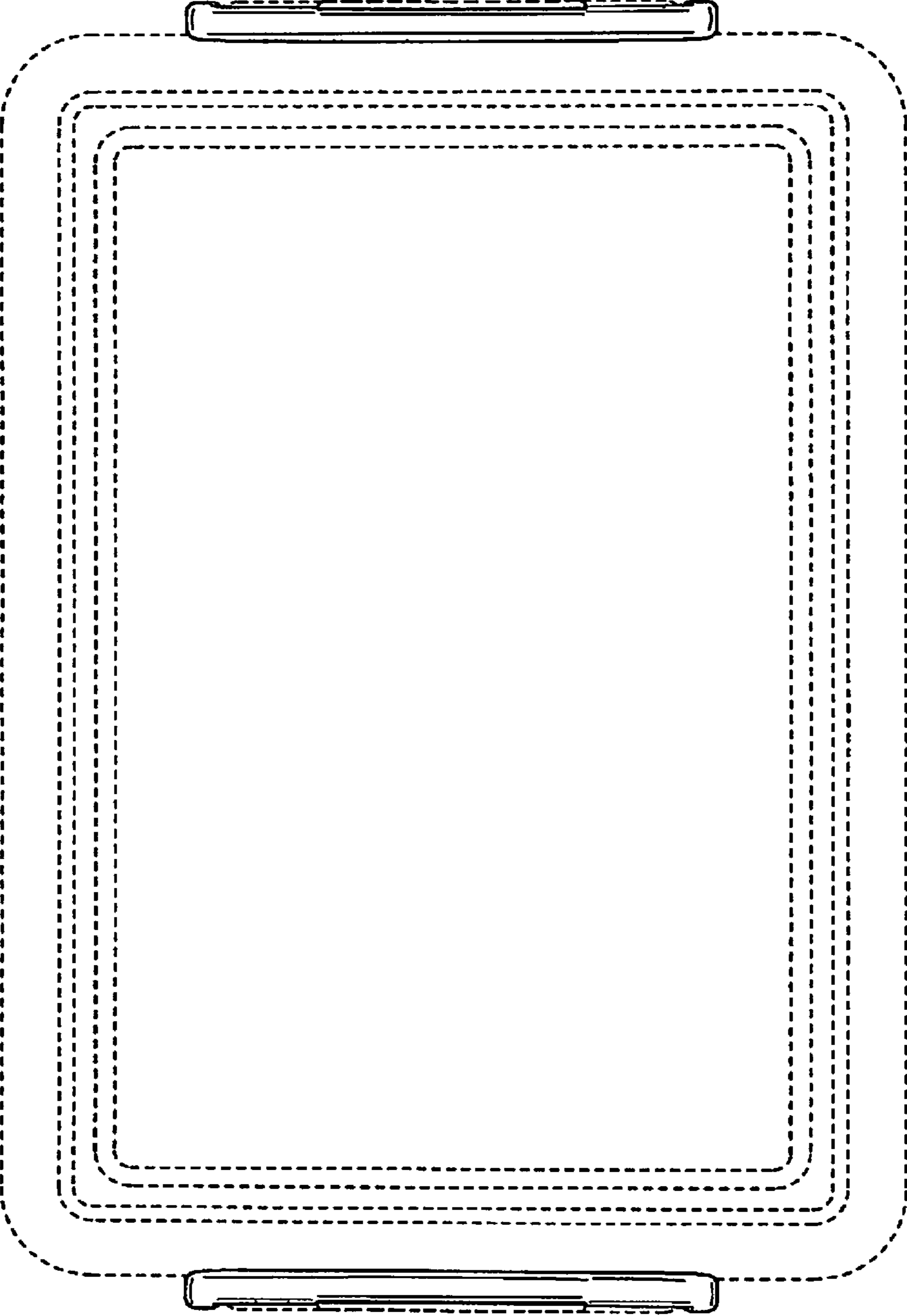


FIG.3

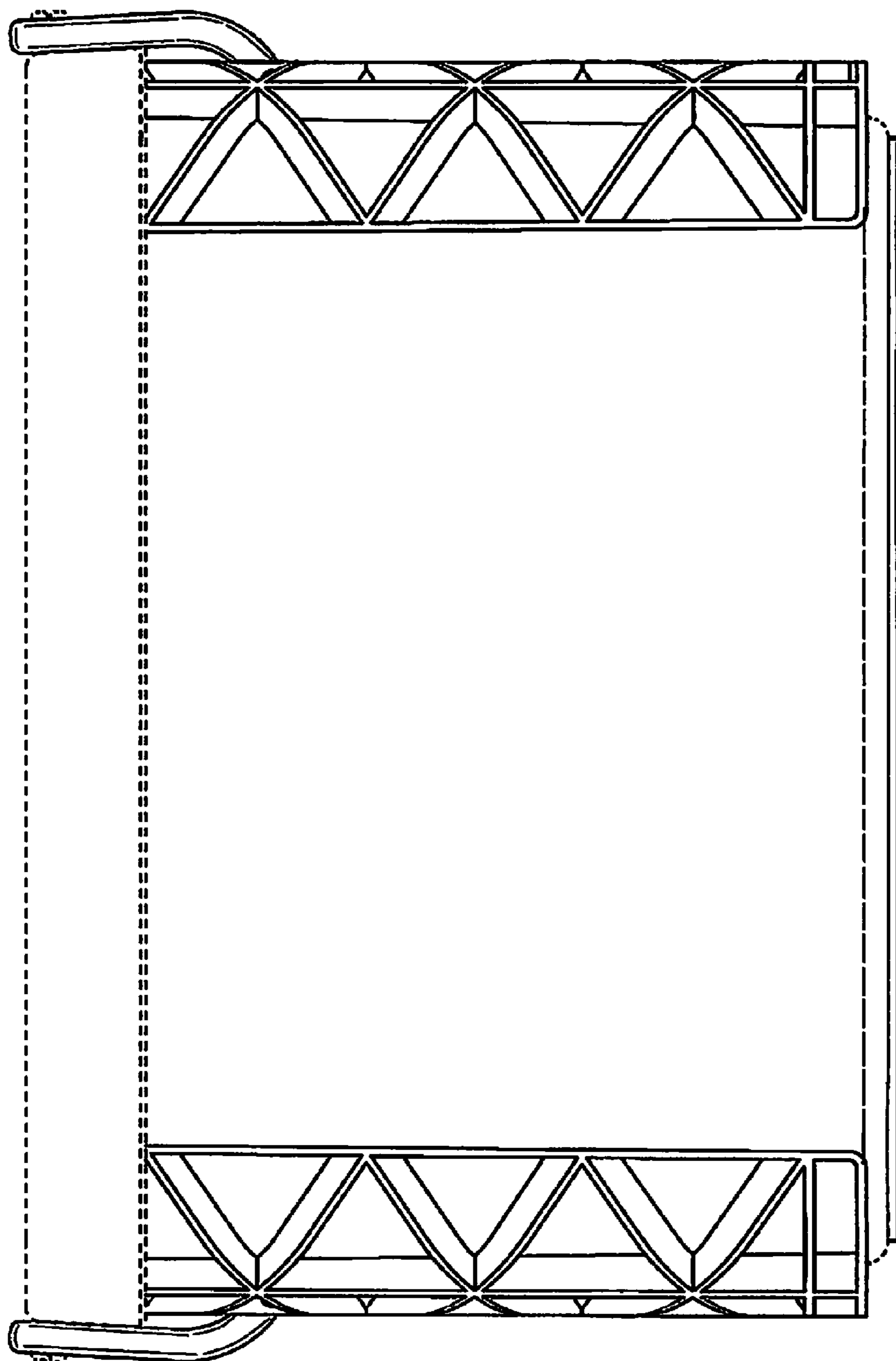


FIG.4

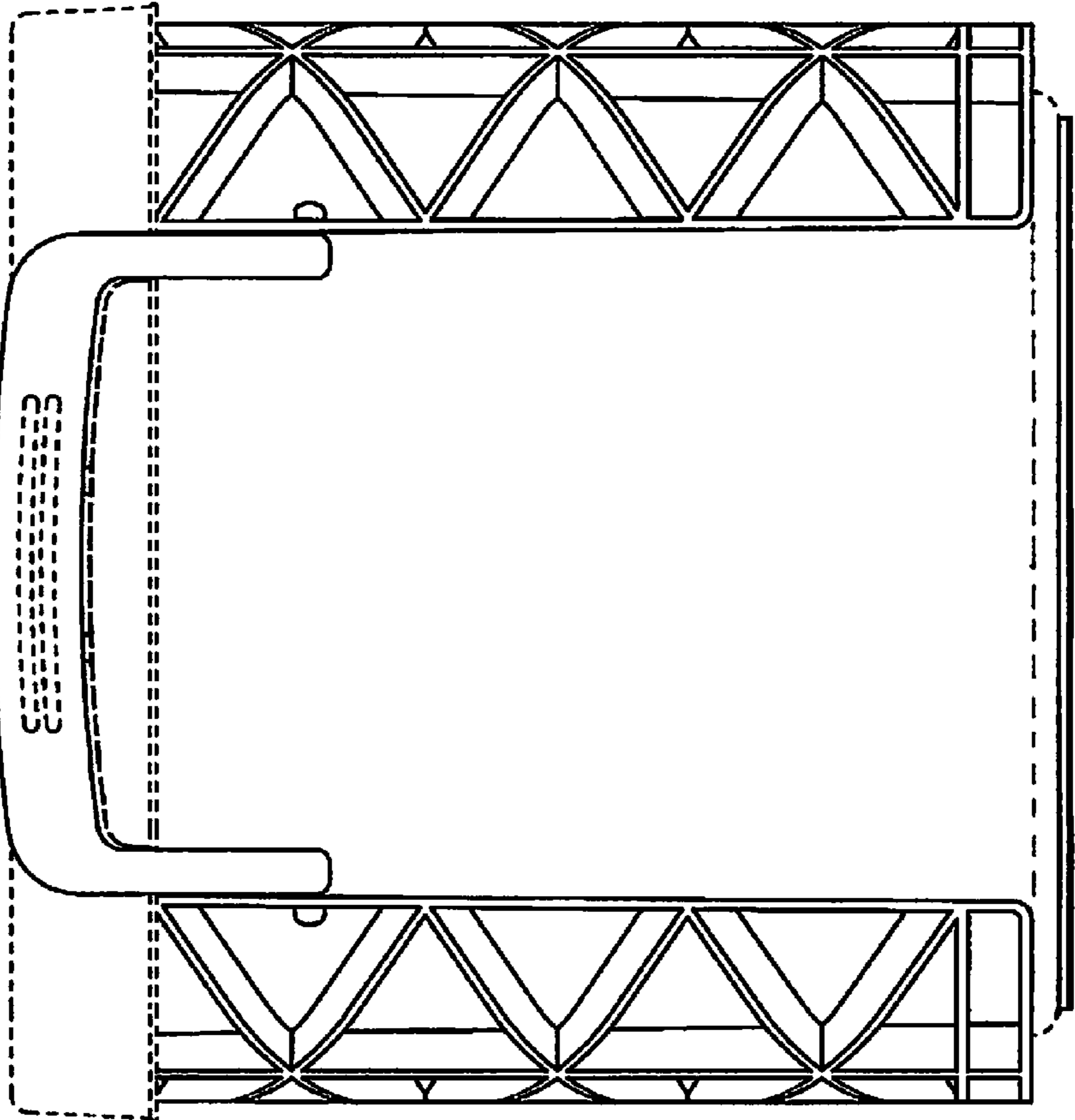


FIG.5

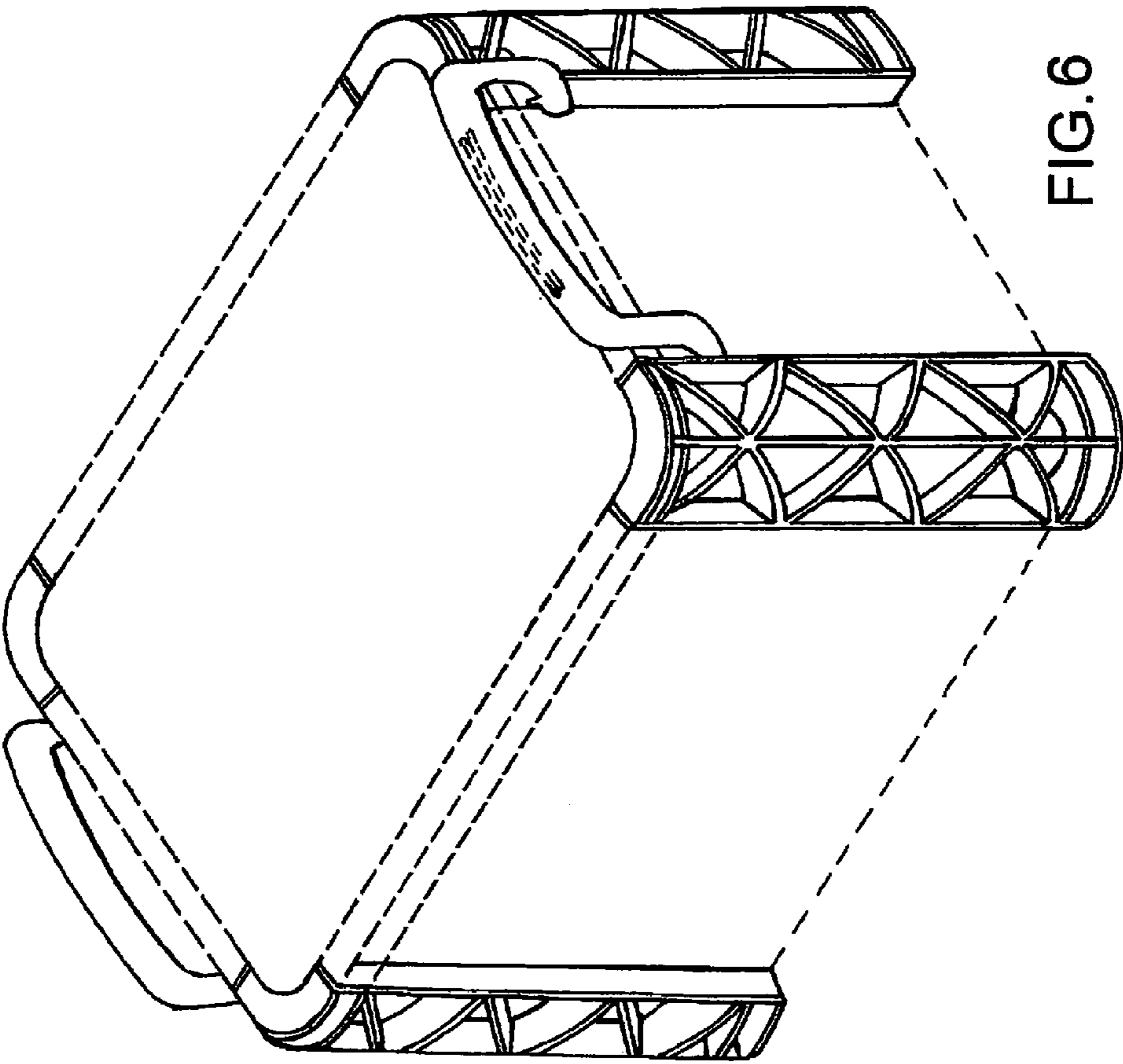


FIG. 6

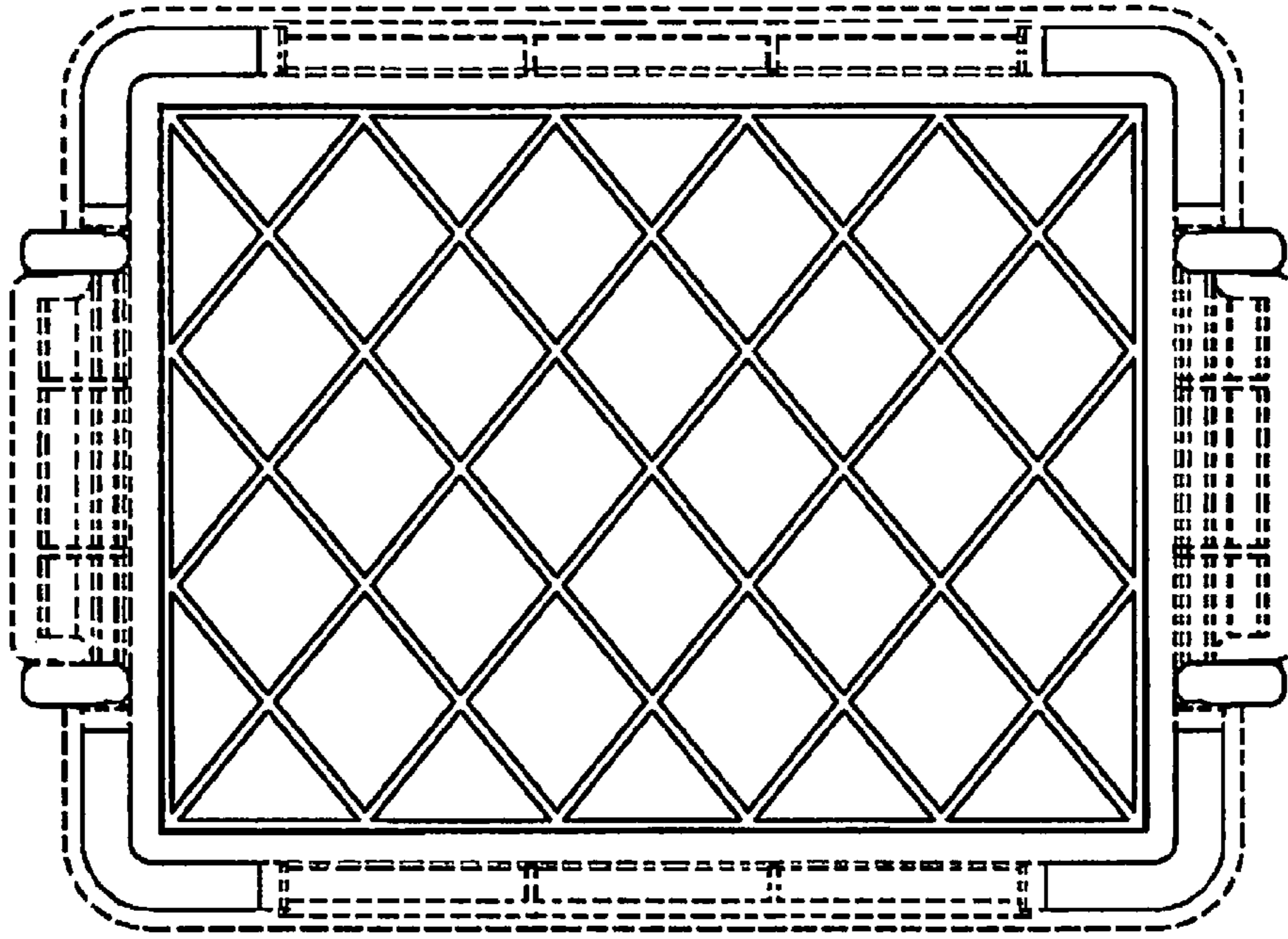


FIG. 7

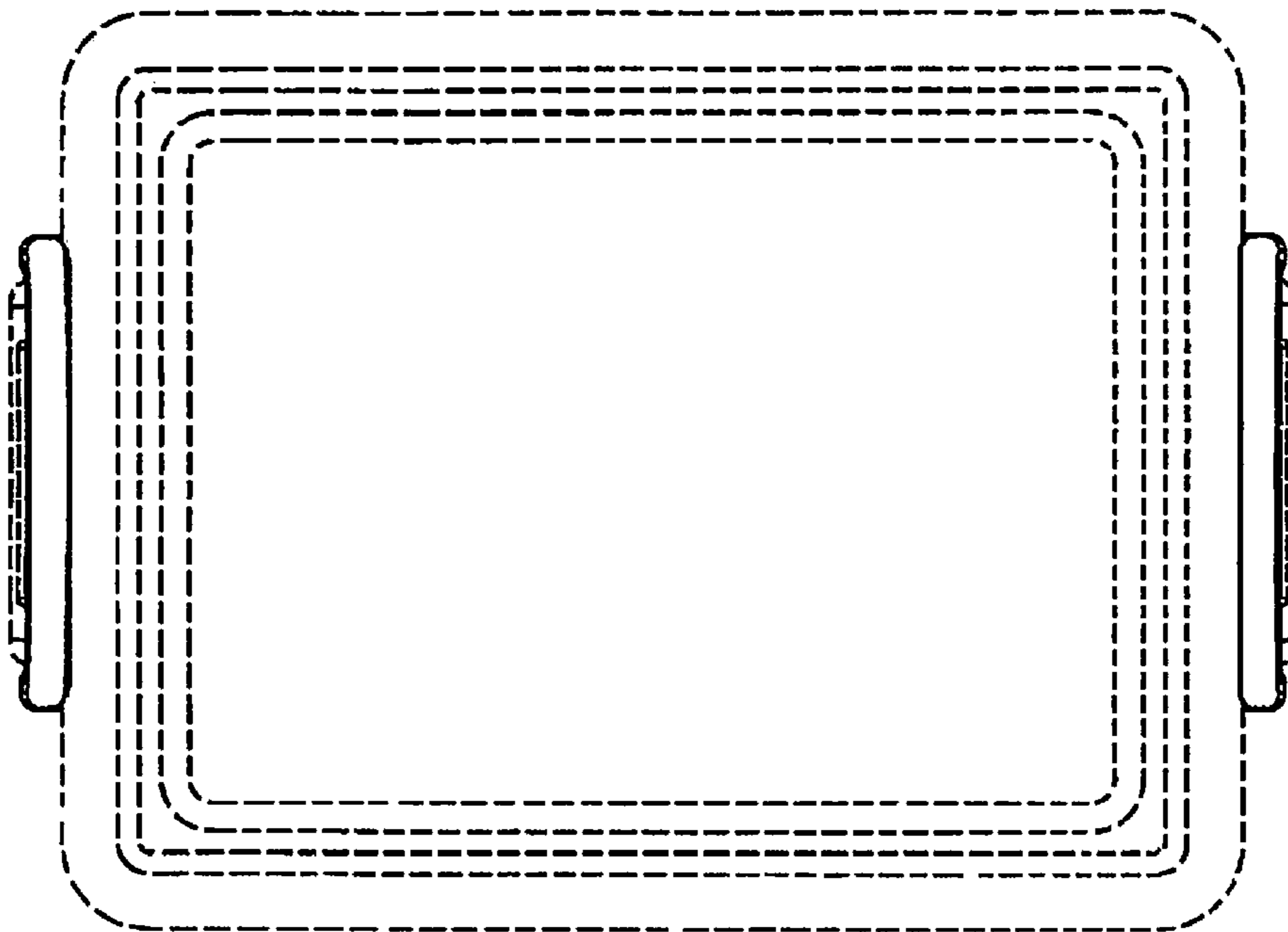


FIG. 8

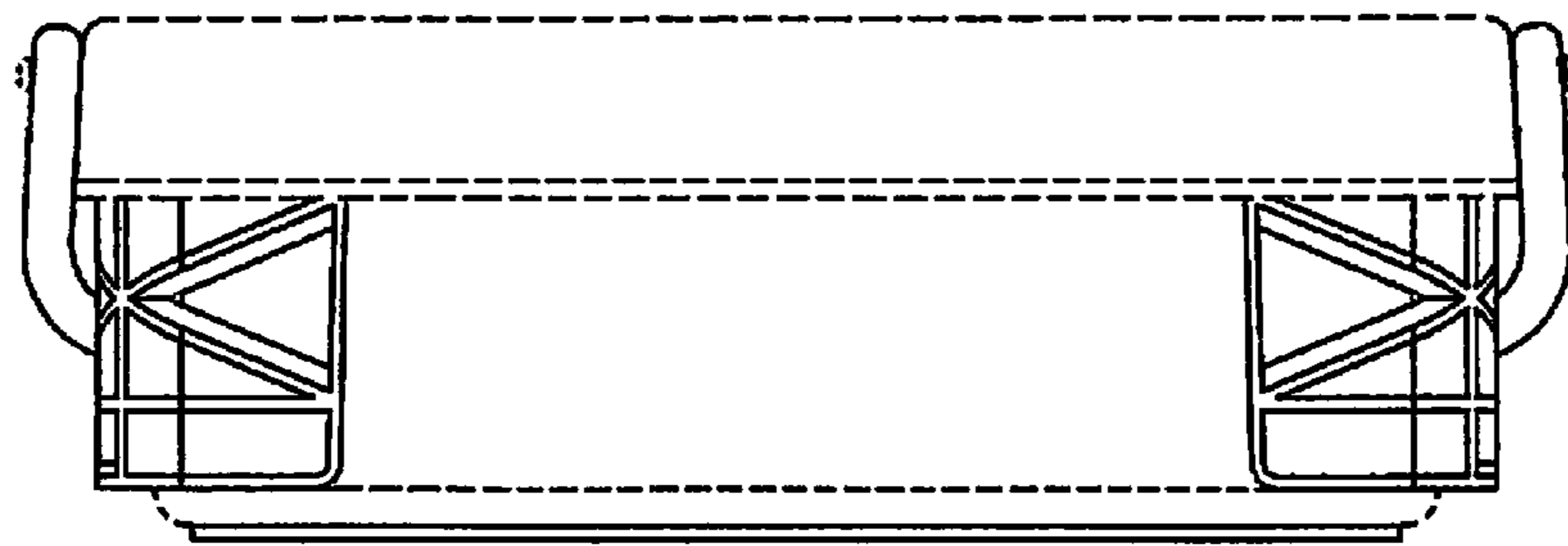


FIG. 9

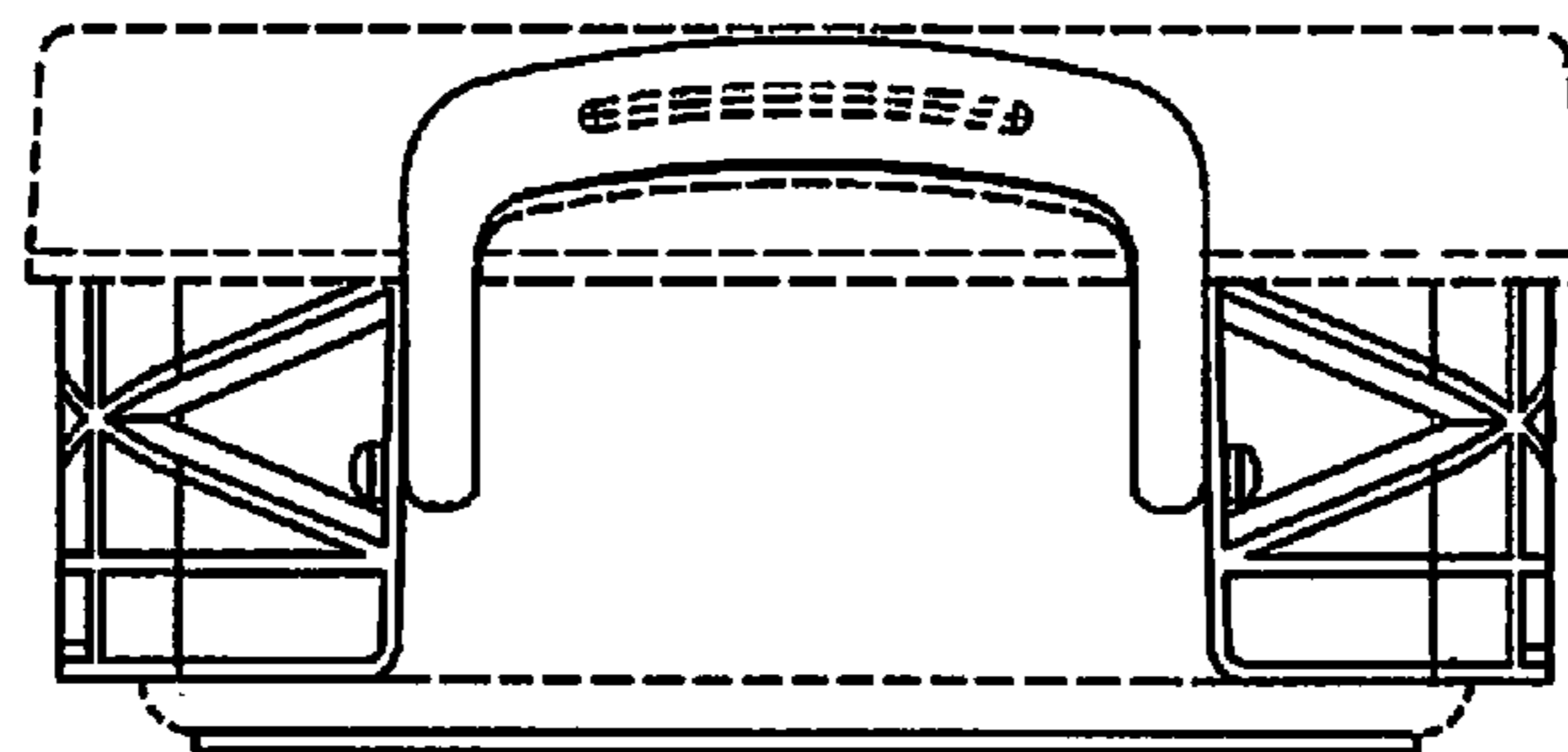


FIG. 10

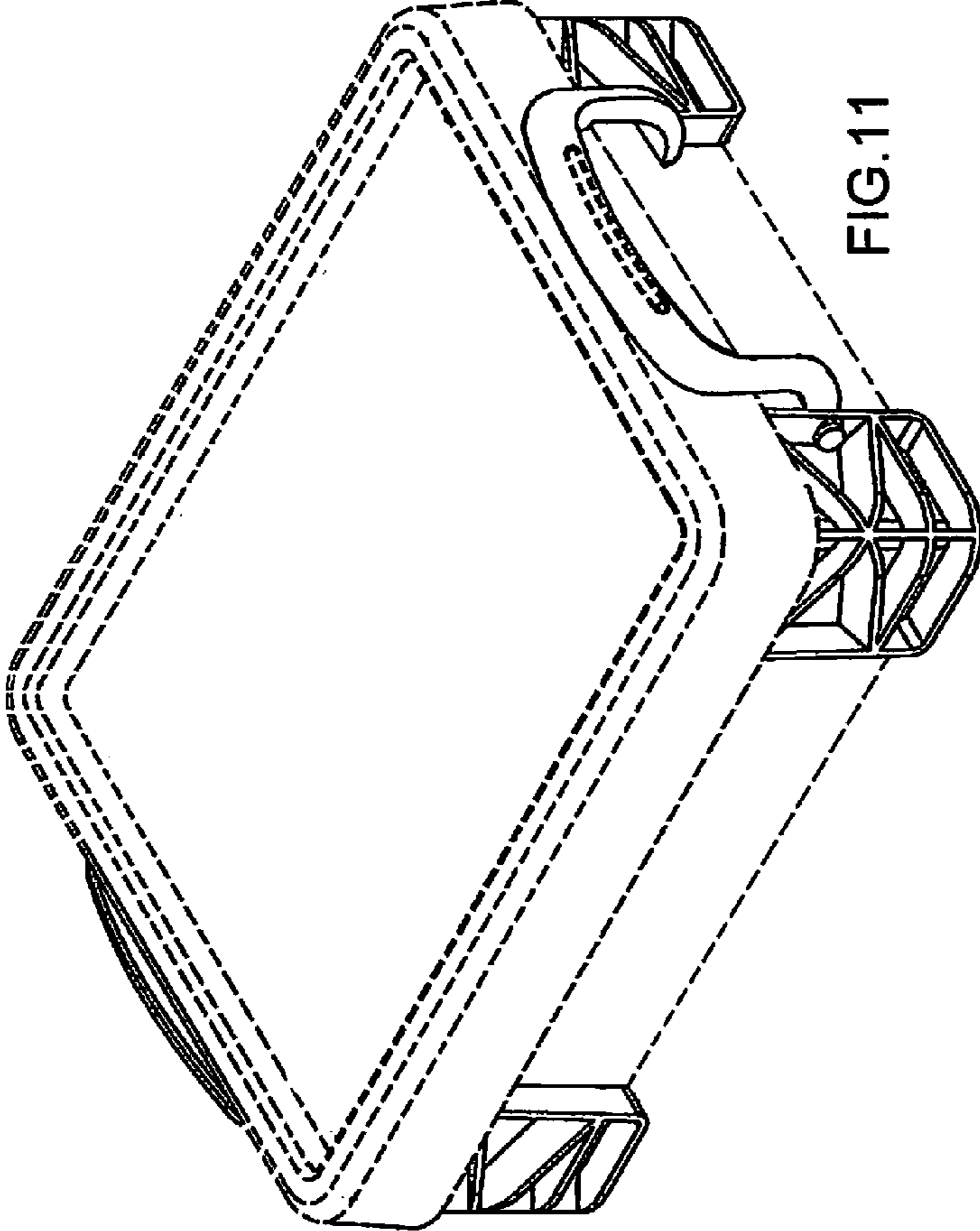


FIG.11

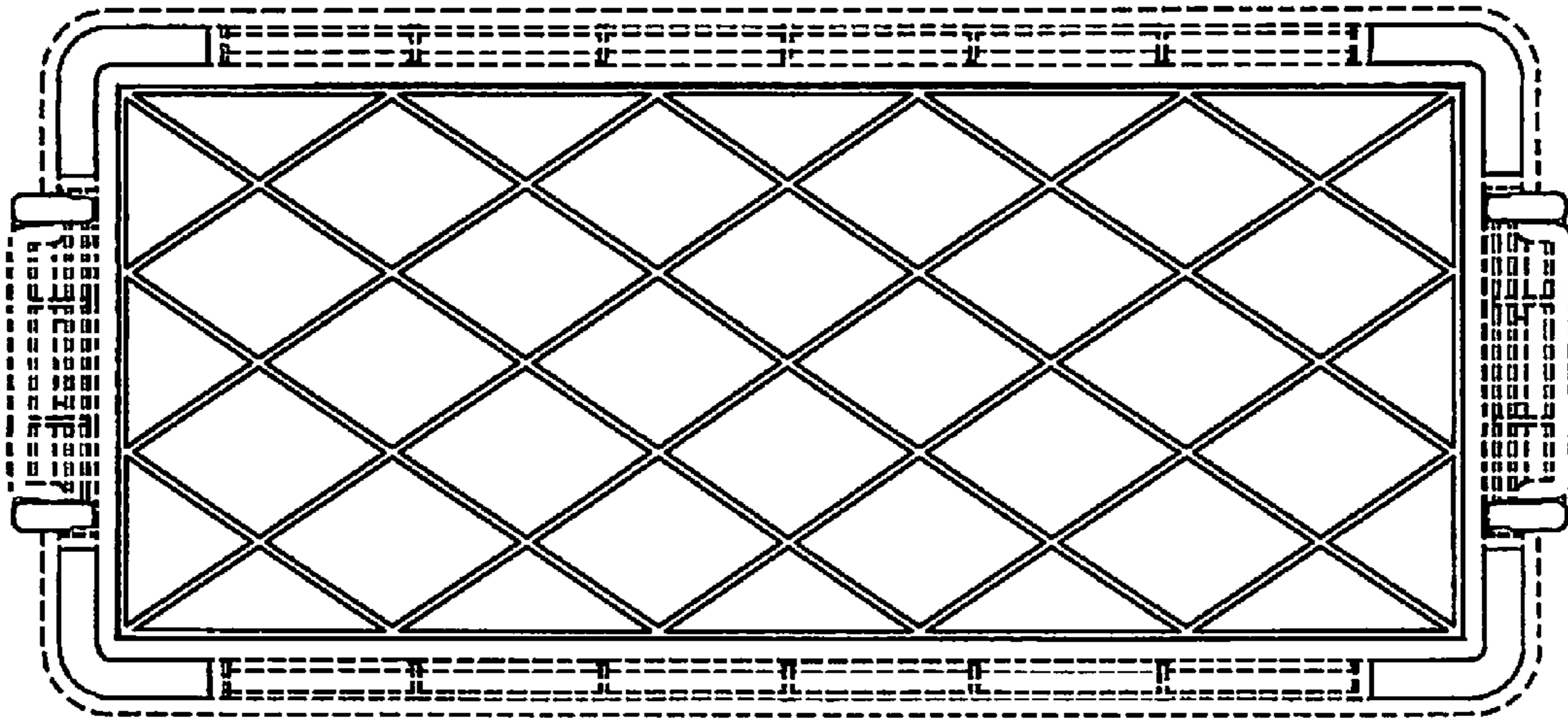


FIG. 12



FIG. 13

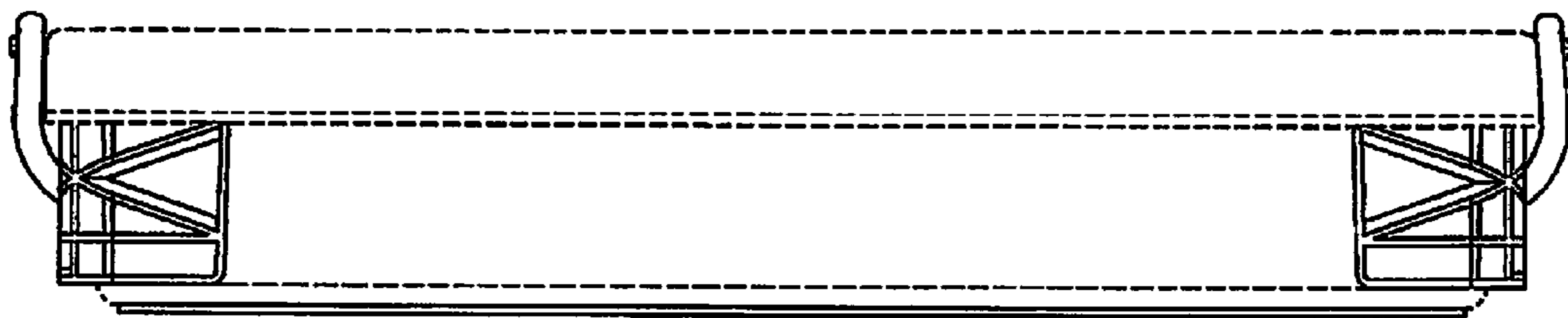


FIG. 14

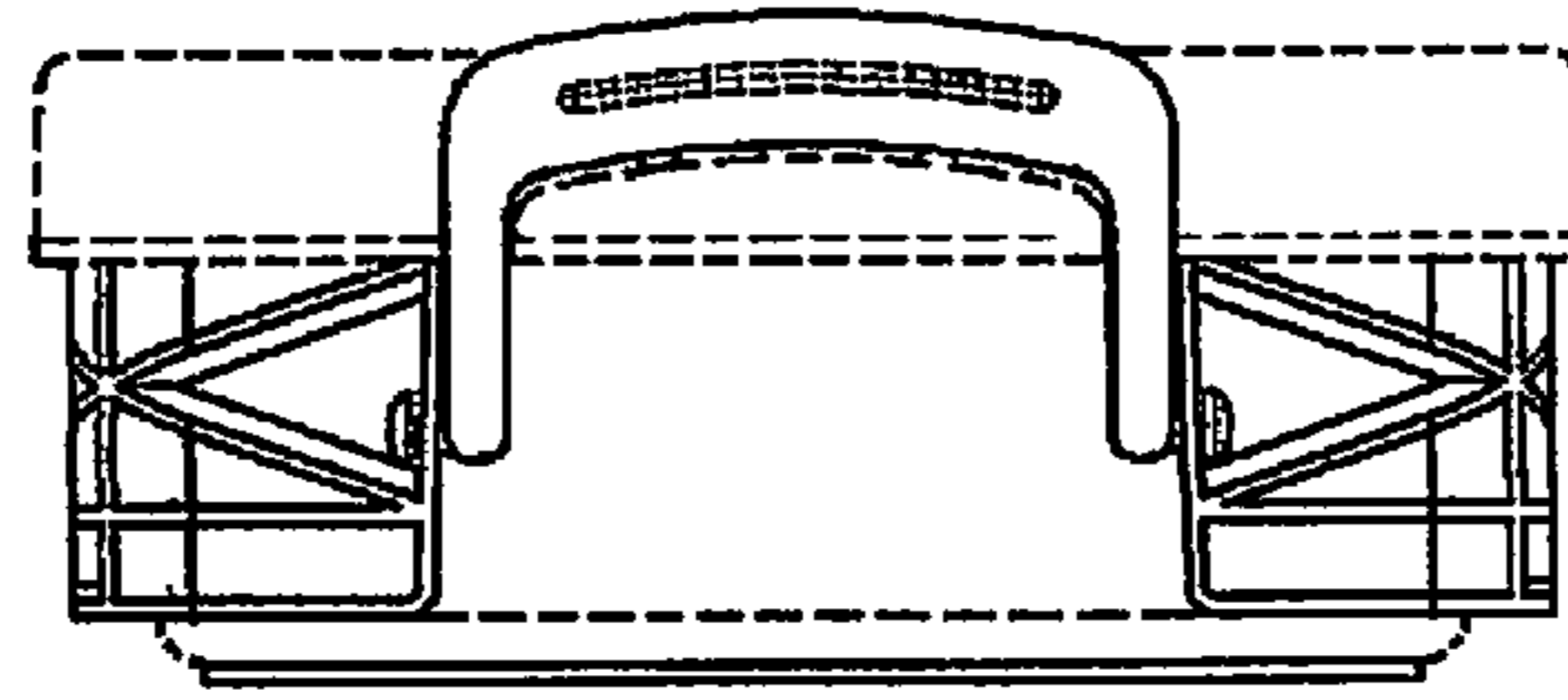


FIG. 15

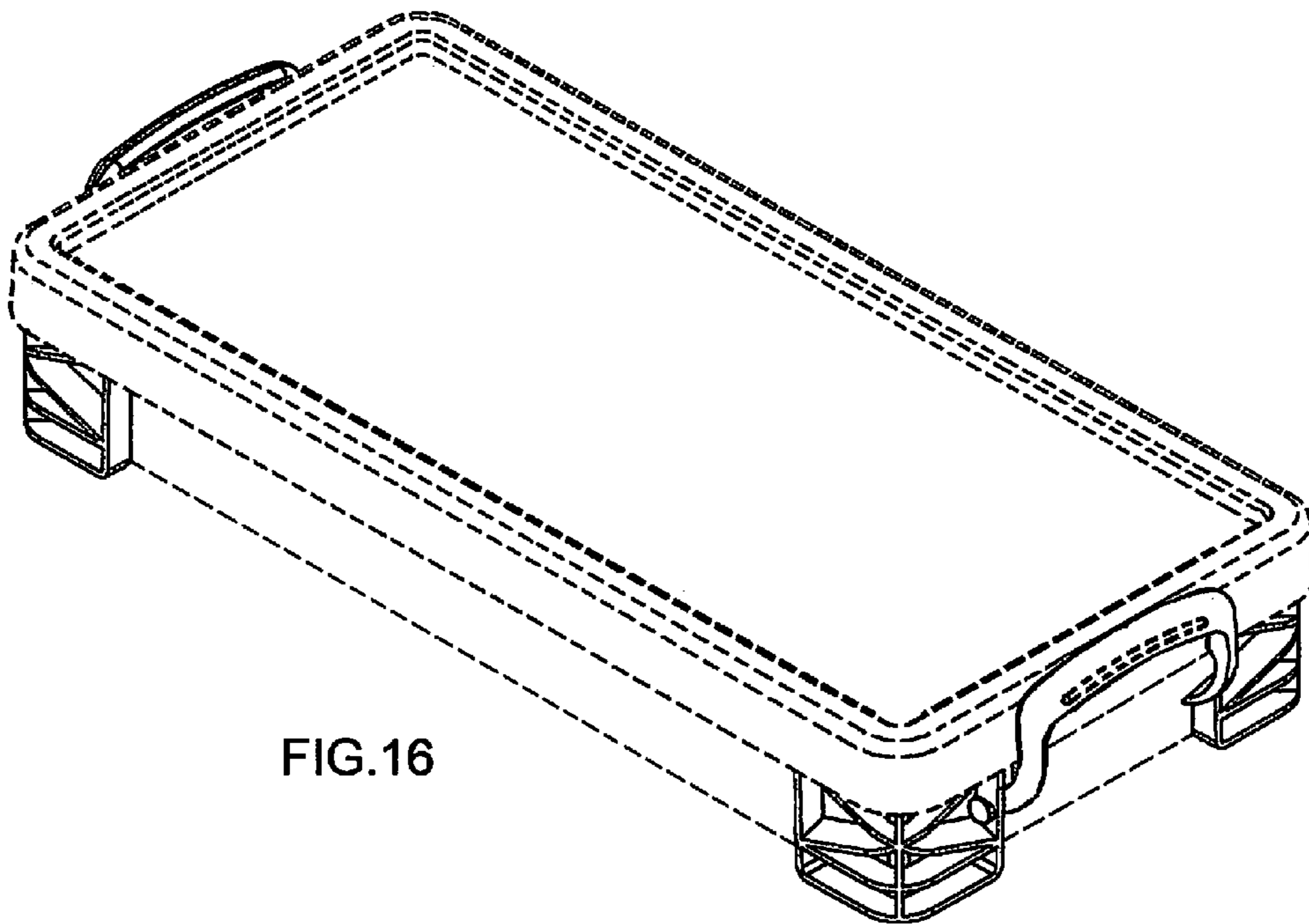


FIG. 16

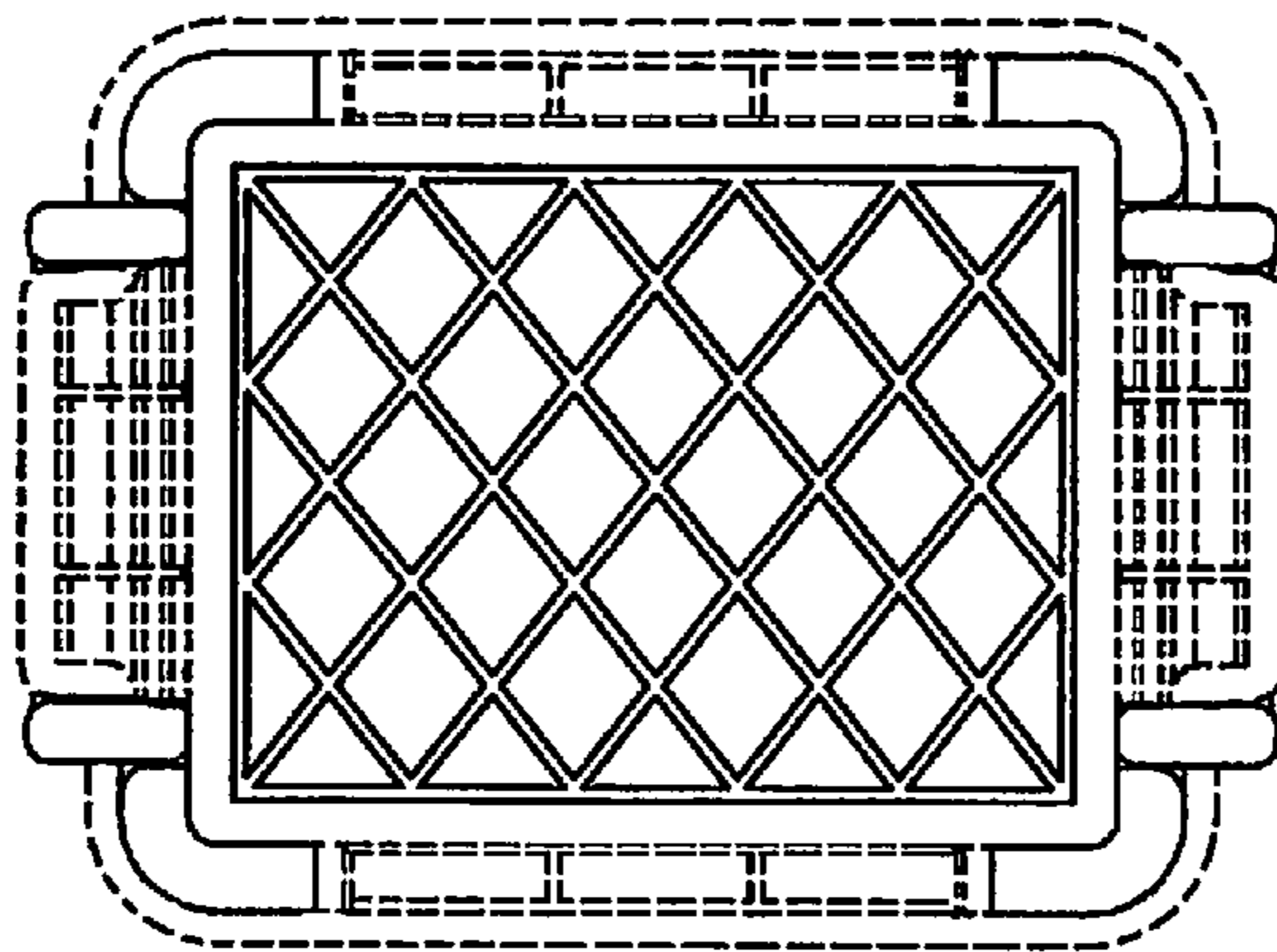


FIG. 17

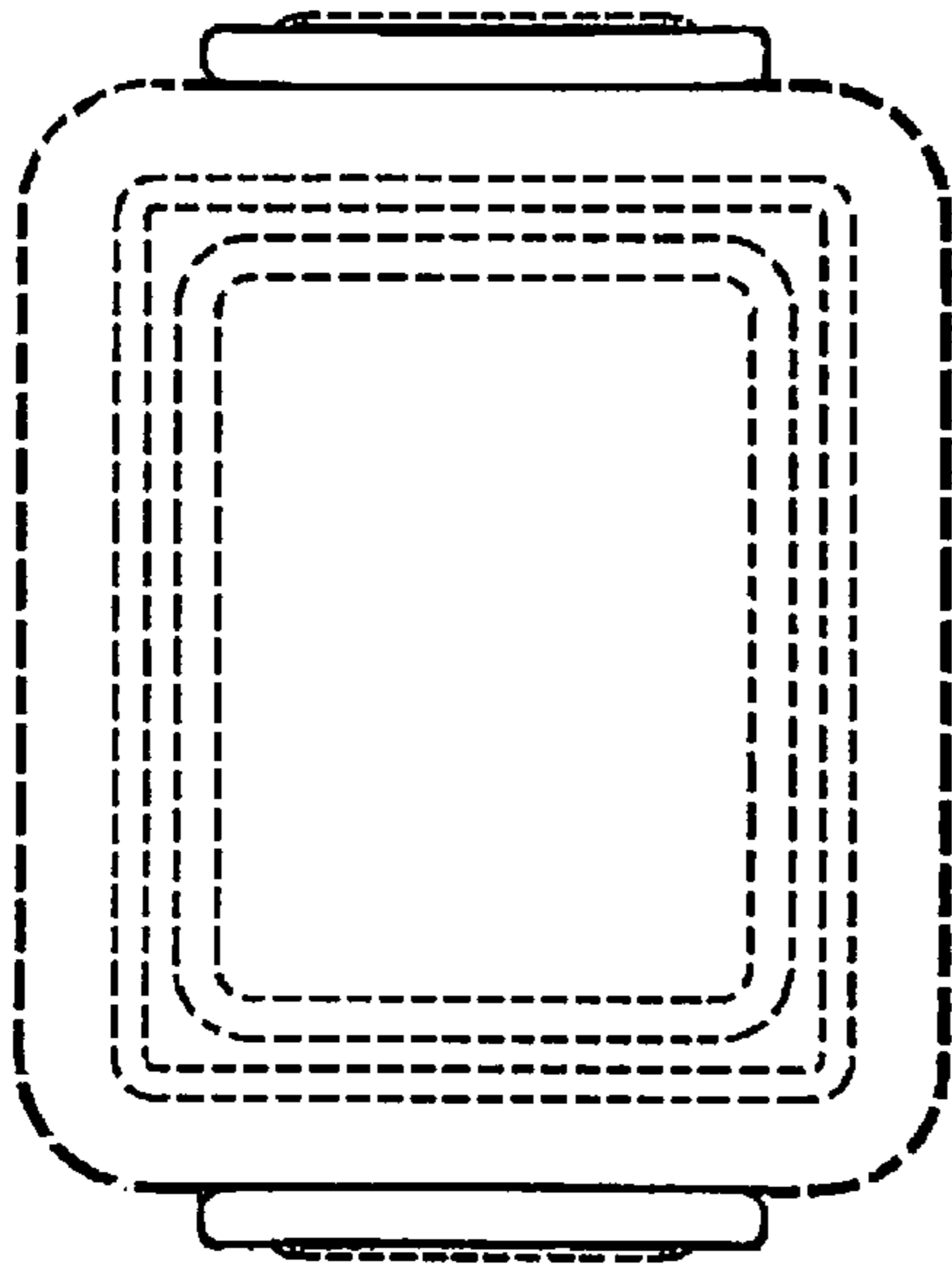


FIG. 18

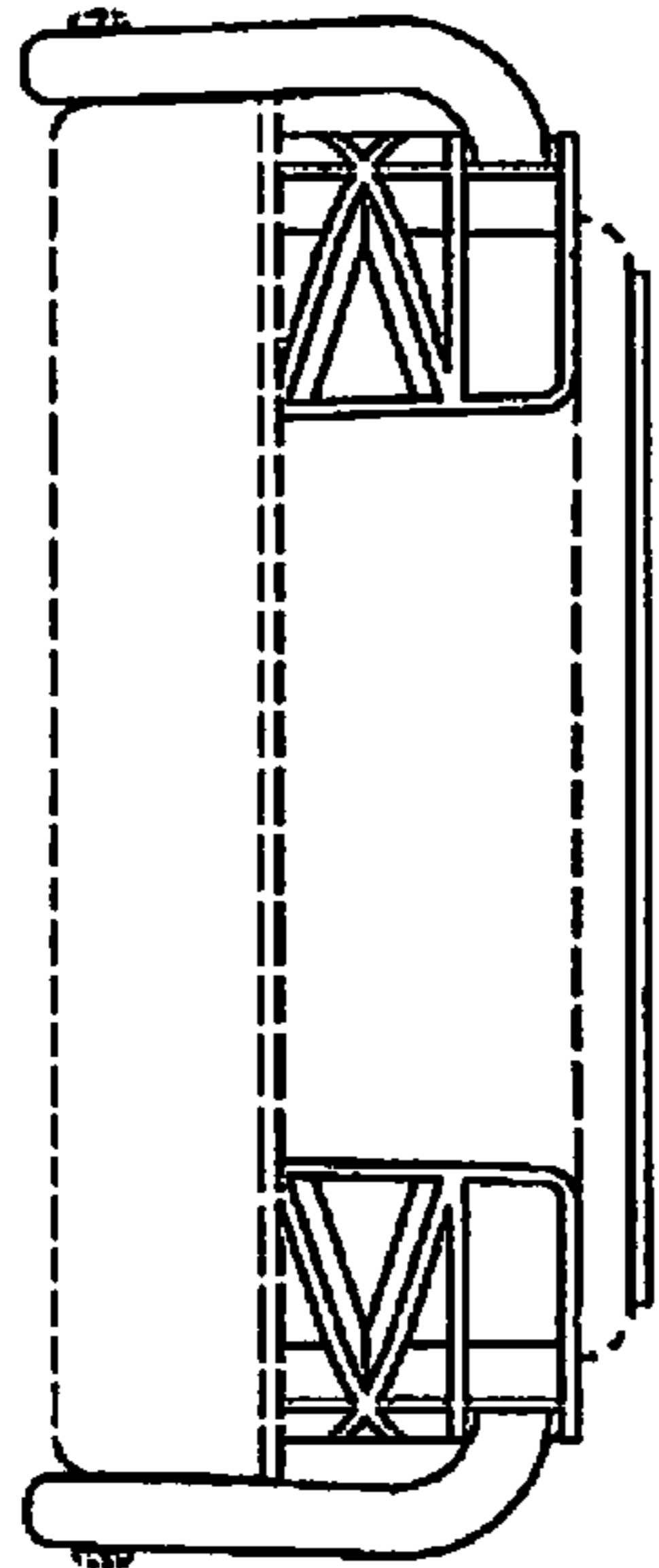


FIG. 19

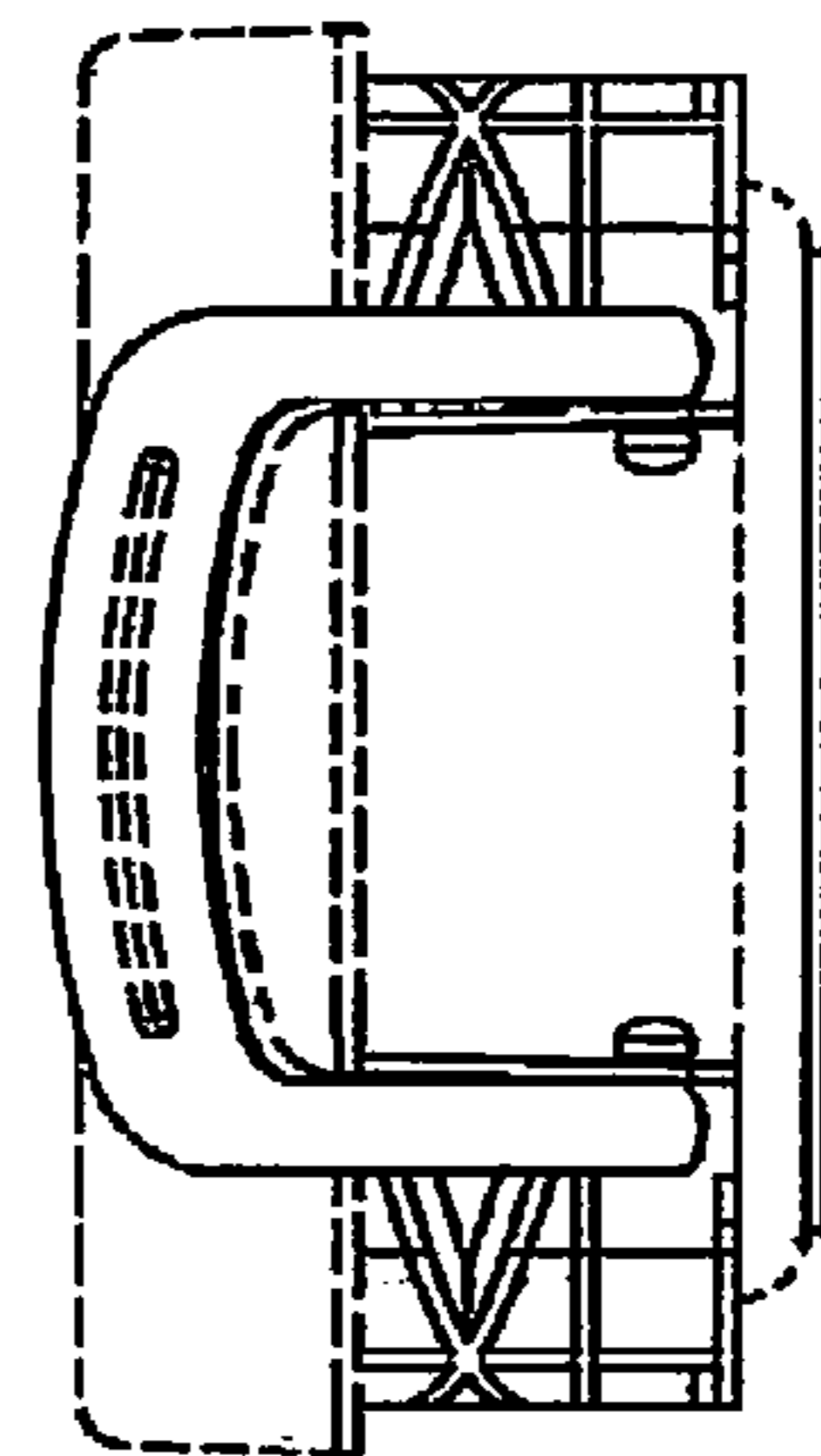


FIG. 20

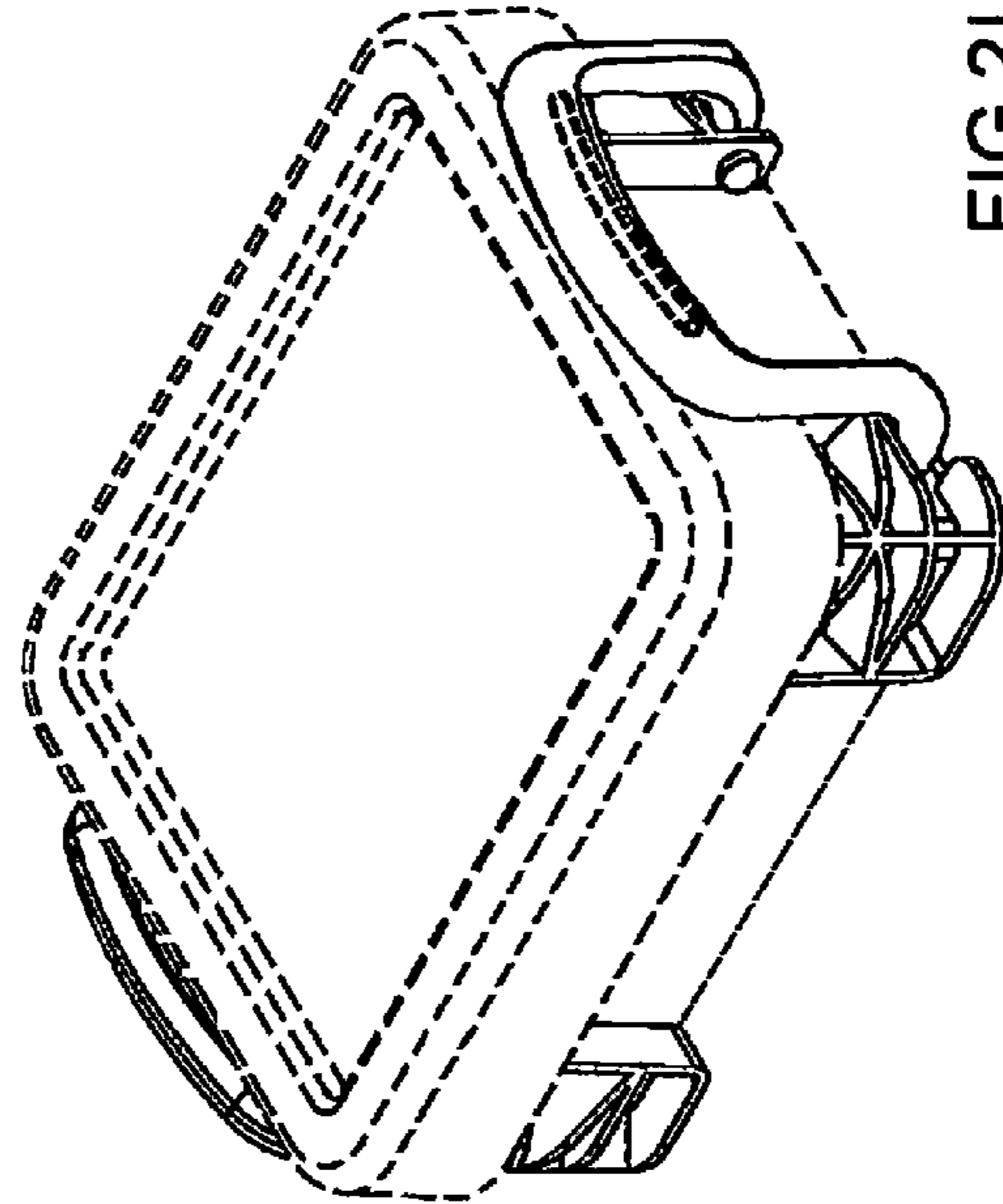


FIG. 21