



US00D675822S

(12) **United States Design Patent**
Scaffidi

(10) **Patent No.:** **US D675,822 S**
(45) **Date of Patent:** **** Feb. 12, 2013**

(54) **GOLF BAG**

(75) Inventor: **Antonio Scaffidi**, Copenhagen N (DK)

(73) Assignee: **ECCO Sko A/S**, Bredebro (DK)

(**) Term: **14 Years**

(21) Appl. No.: **29/402,442**

(22) Filed: **Sep. 23, 2011**

(30) **Foreign Application Priority Data**

Apr. 29, 2011 (EM) 001857285-0001

(51) **LOC (9) Cl.** **03-01**

(52) **U.S. Cl.** **D3/255**

(58) **Field of Classification Search** D3/255;
206/315.2-315.8

See application file for complete search history.

(56) **References Cited**

U.S. PATENT DOCUMENTS

3,674,072	A *	7/1972	Shuto	206/315.6
D413,018	S *	8/1999	Boldig et al.	D3/255
D471,355	S *	3/2003	Sanderson et al.	D3/255
D494,363	S *	8/2004	Chuan	D3/255
D501,604	S *	2/2005	Kadoya	D3/320

* cited by examiner

Primary Examiner — Holly Baynham

(74) *Attorney, Agent, or Firm* — McCormick, Paulding & Huber LLP

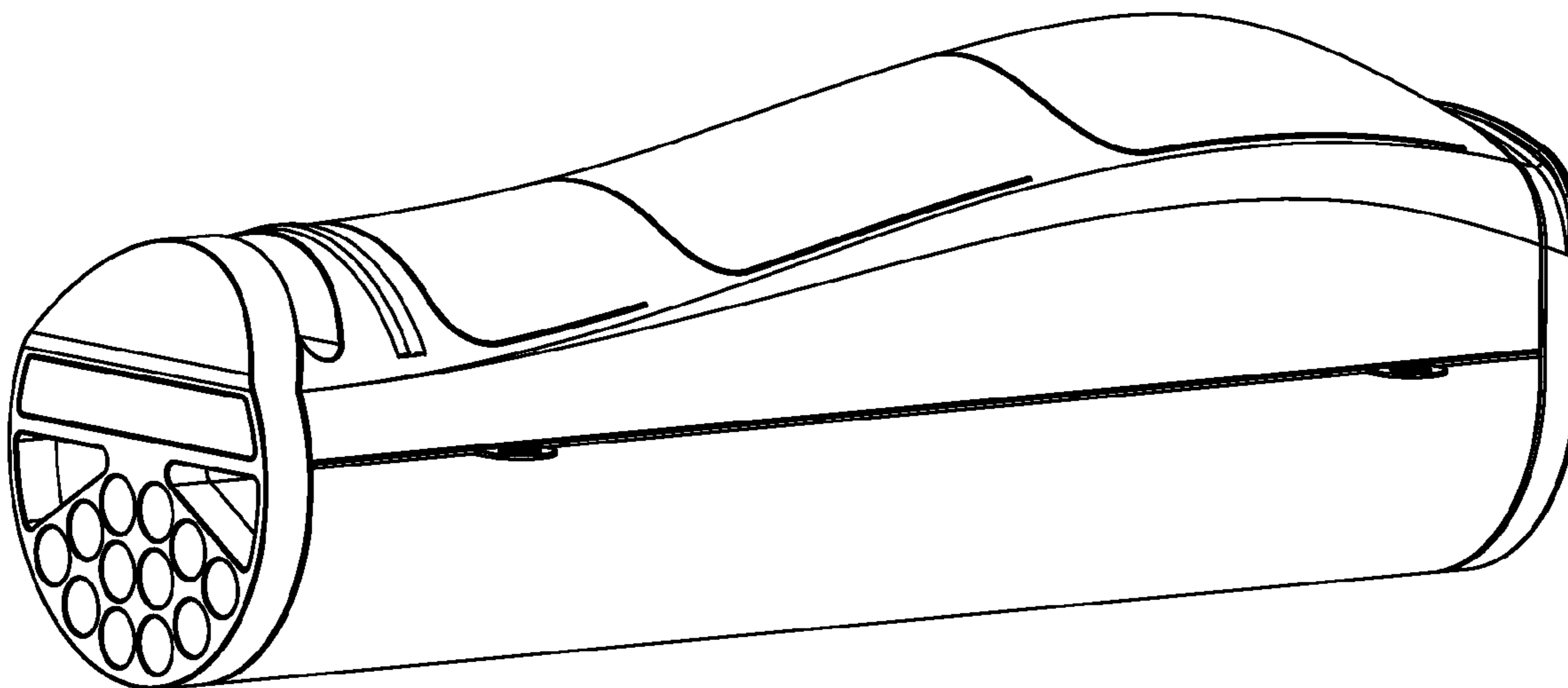
(57) **CLAIM**

The ornamental design for a golf bag, as shown and described.

DESCRIPTION

FIG. 1 is a front, top, left-hand side perspective view of a golf bag comprising a new, original and ornamental design;
 FIG. 2 is a front, top, right-hand side perspective view of a golf bag comprising the new, original and ornamental design;
 FIG. 3 is a top, right-hand side perspective view of a golf bag comprising the new, original and ornamental design;
 FIG. 4 is a front, top, right-hand side perspective view of a golf bag comprising the new, original and ornamental design;
 FIG. 5 is a rear, top, left-hand side perspective view of a golf bag comprising the new, original and ornamental design;
 FIG. 6 is a bottom, right-hand side perspective view of a golf bag comprising the new, original and ornamental design;
 FIG. 7 is a front, top, left-hand side perspective view of a golf bag comprising the new, original and ornamental design;
 FIG. 8 is a front view of a golf bag comprising the new, original and ornamental design;
 FIG. 9 is a left-hand side view of a golf bag comprising the new, original and ornamental design;
 FIG. 10 is a right-hand side view of a golf bag comprising the new, original and ornamental design;
 FIG. 11 is a top view of a golf bag comprising the new, original and ornamental design; and,
 FIG. 12 is a bottom view of a golf bag comprising the new, original and ornamental design.

1 Claim, 6 Drawing Sheets



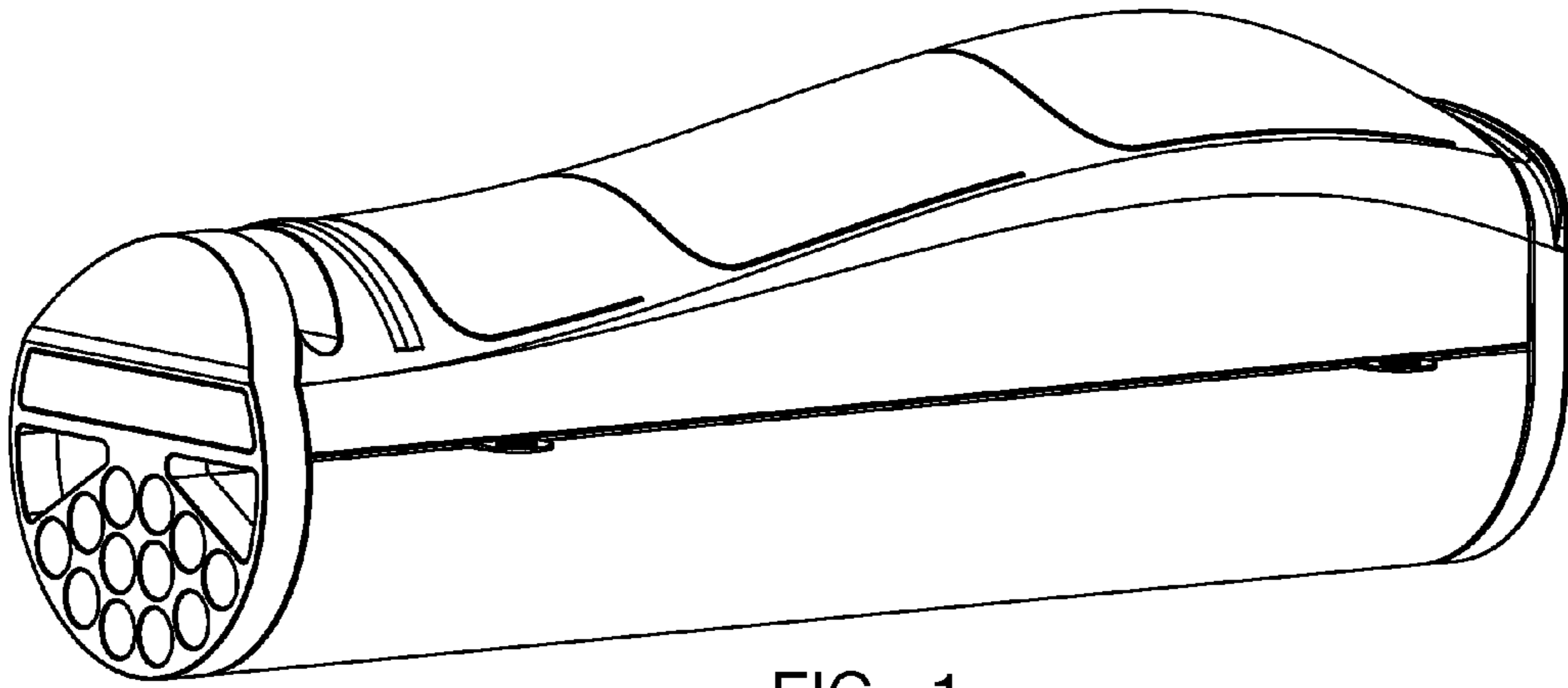


FIG. 1

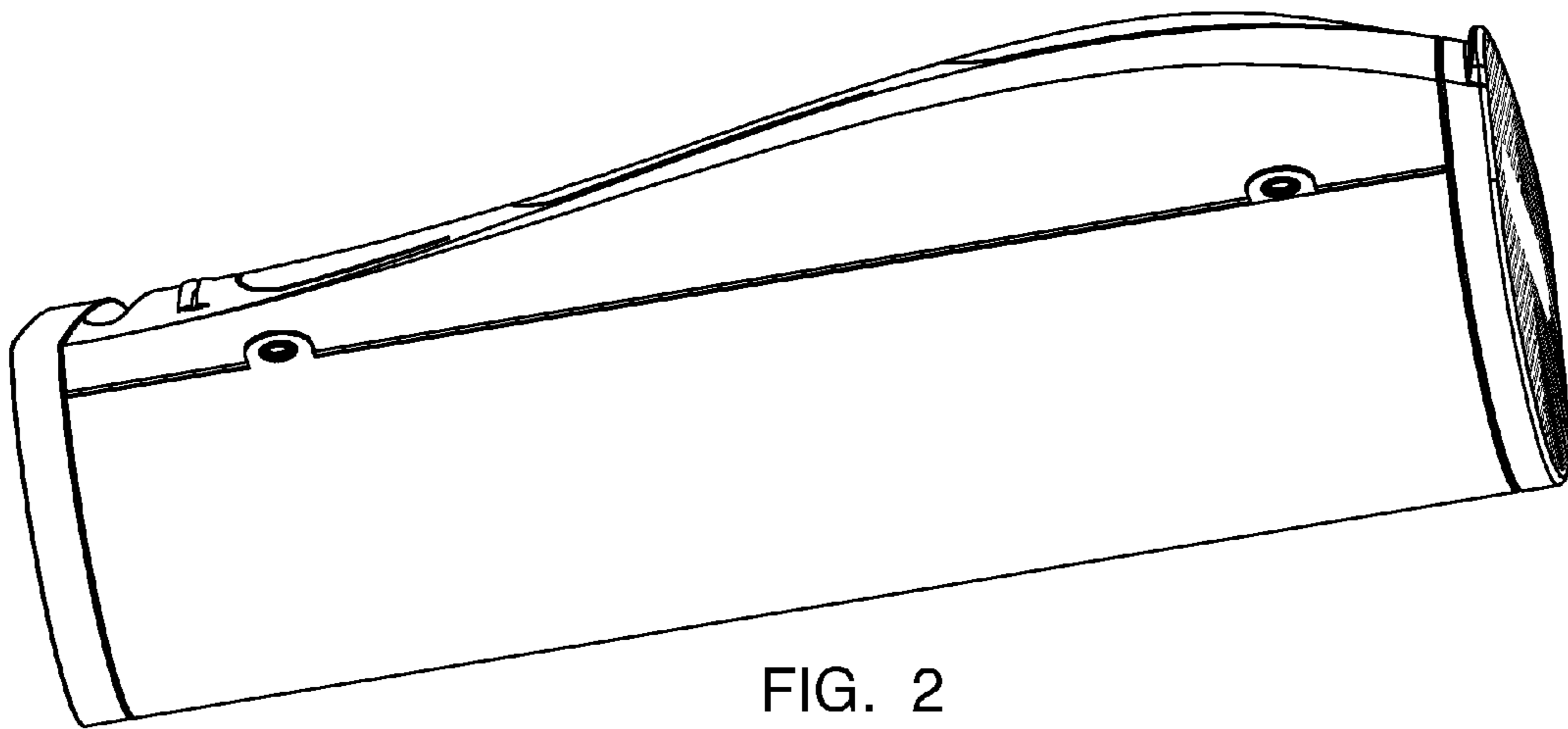


FIG. 2

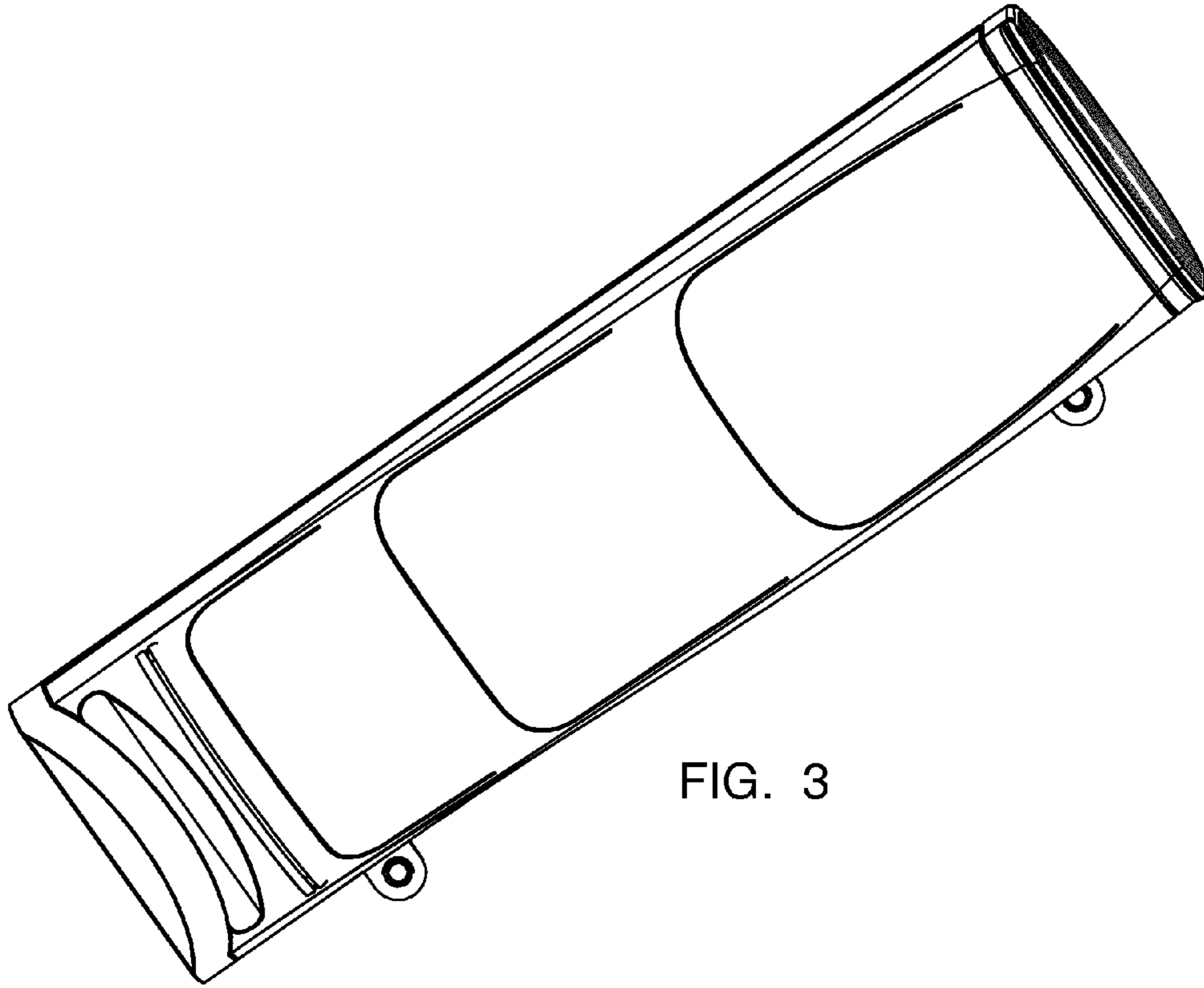


FIG. 3

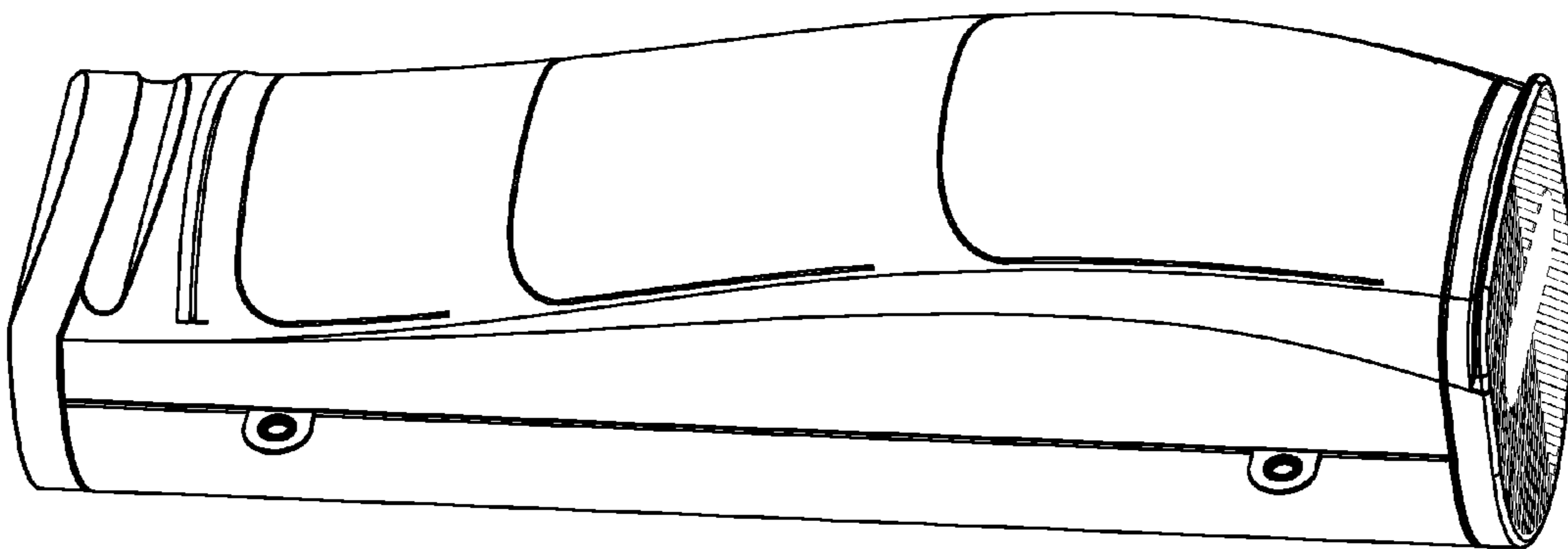


FIG. 4

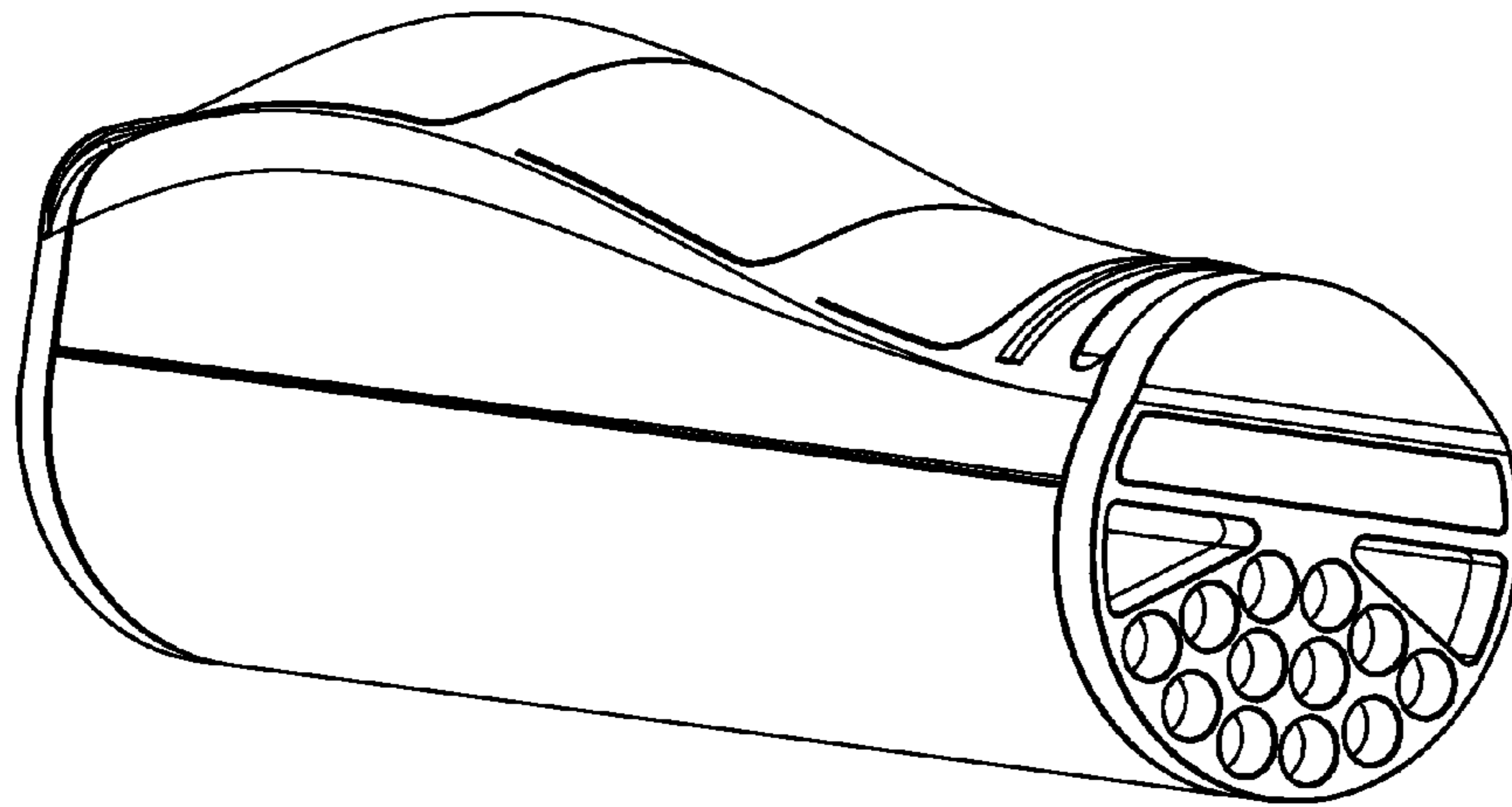


FIG. 5

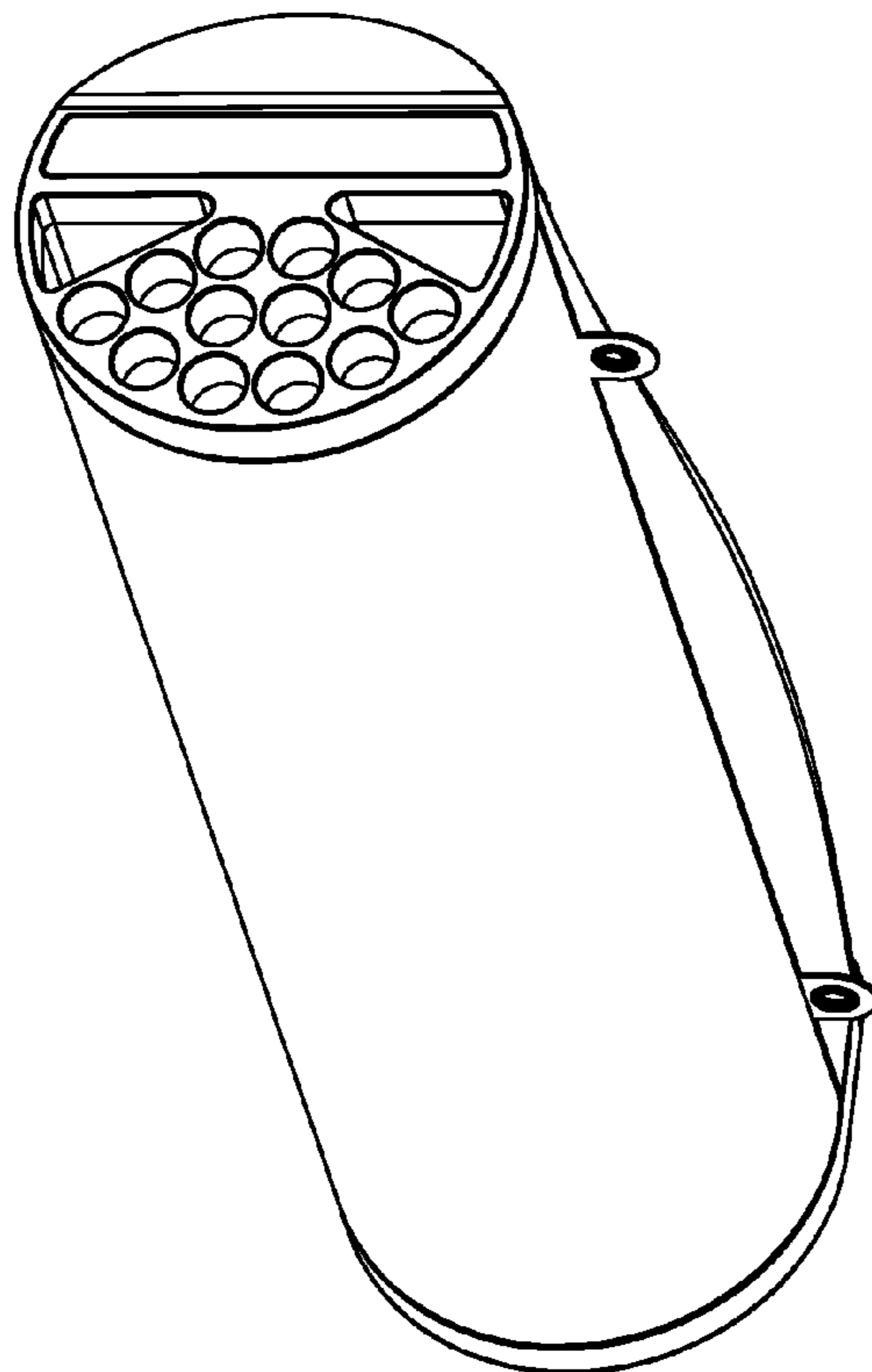


FIG. 6

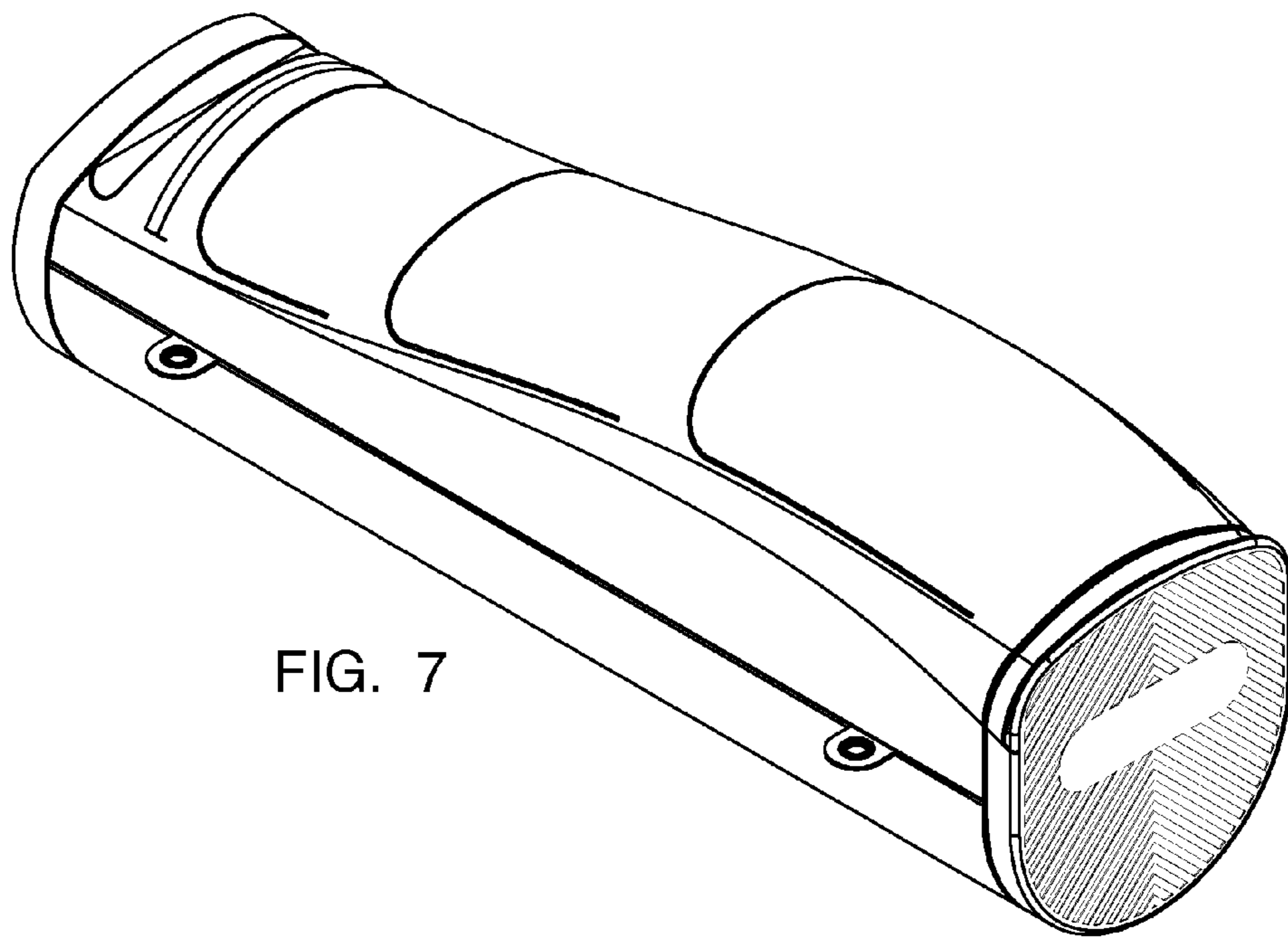


FIG. 7

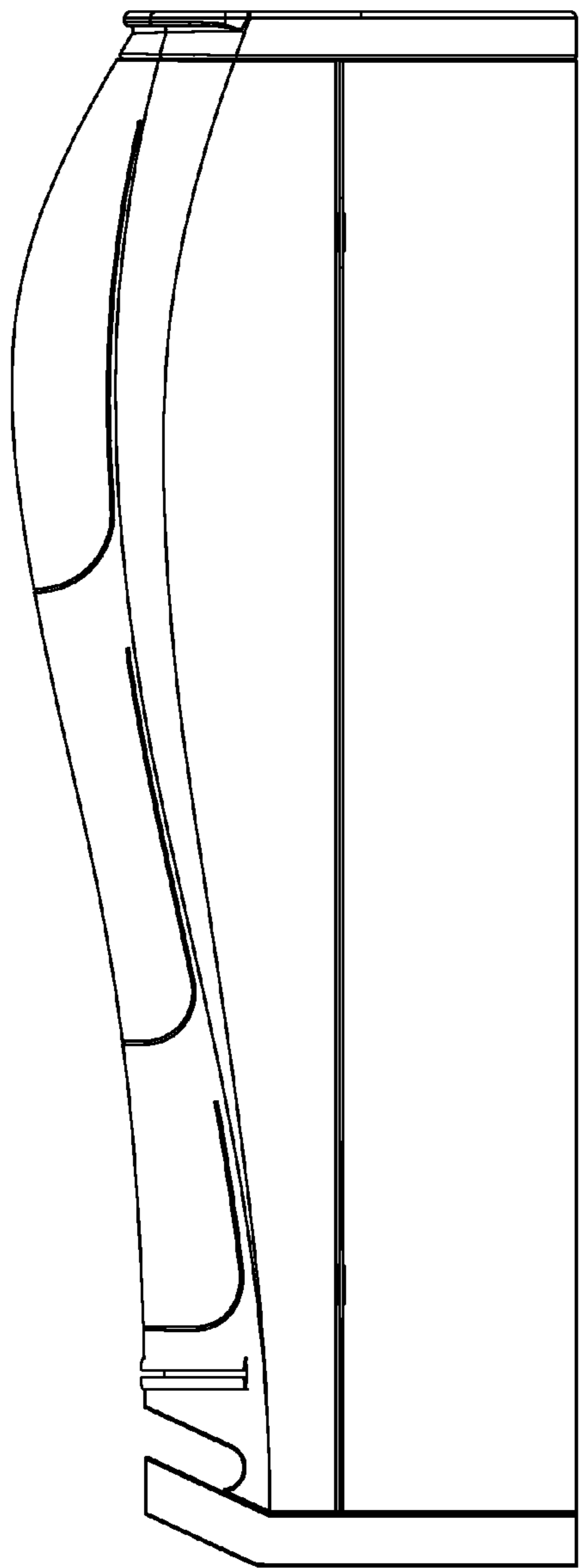


FIG. 8

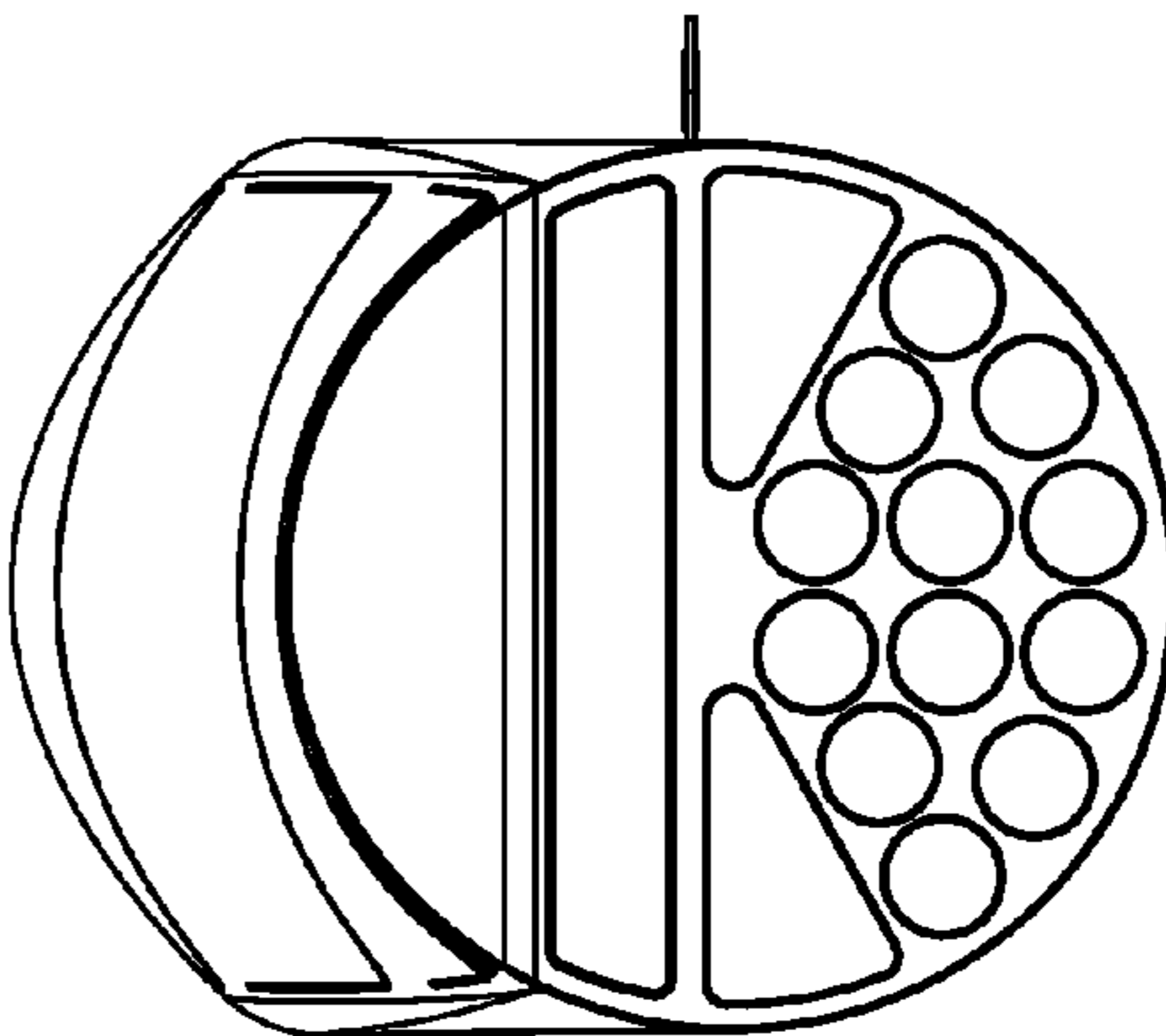


FIG. 9

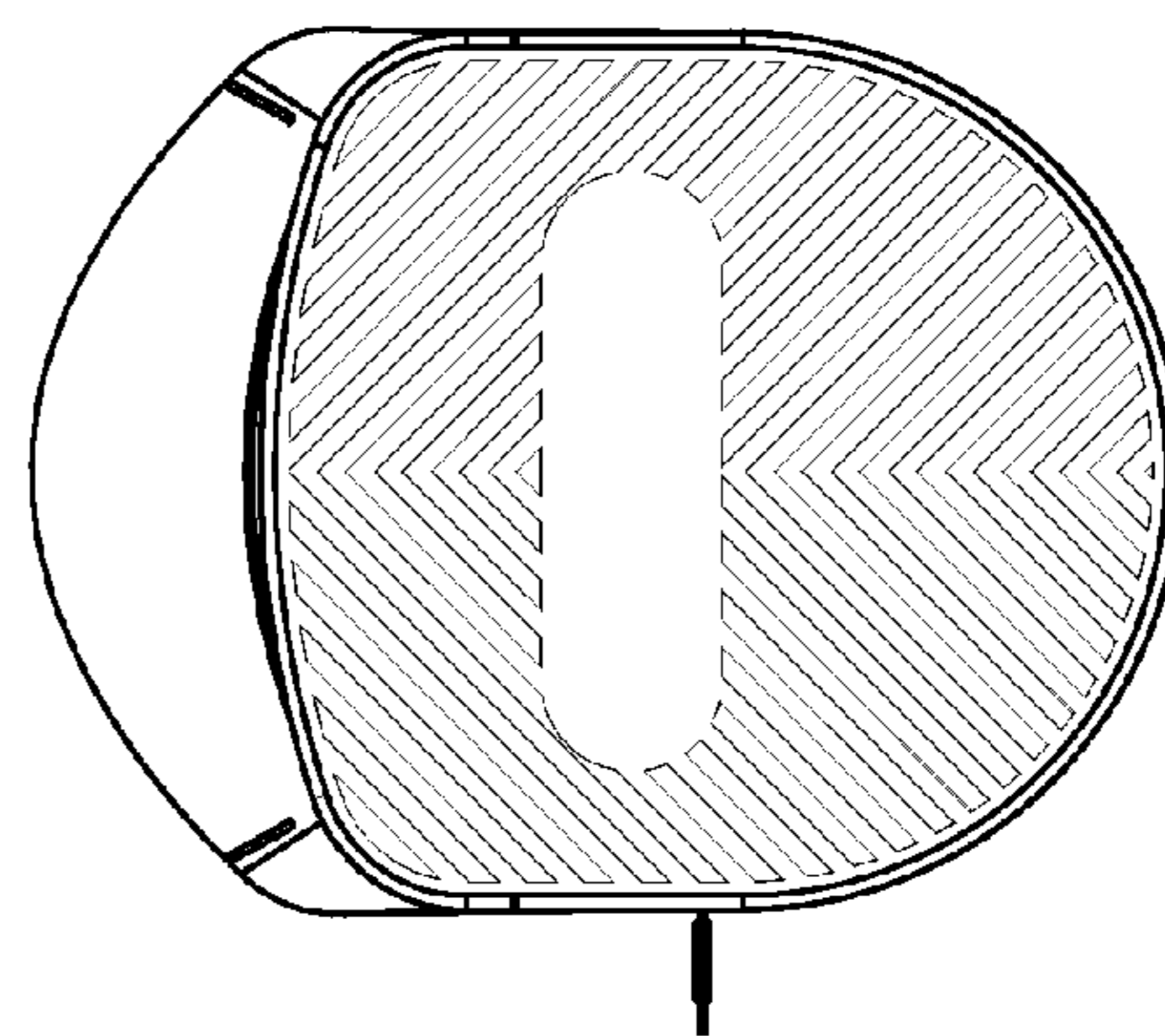


FIG. 10

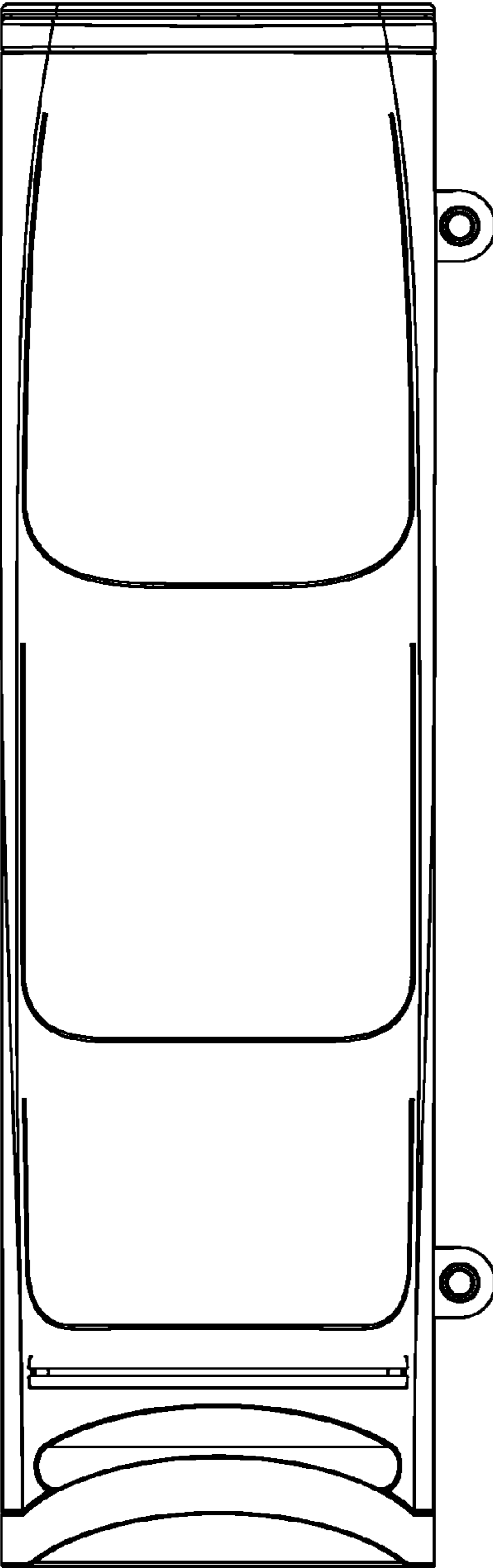


FIG. 11

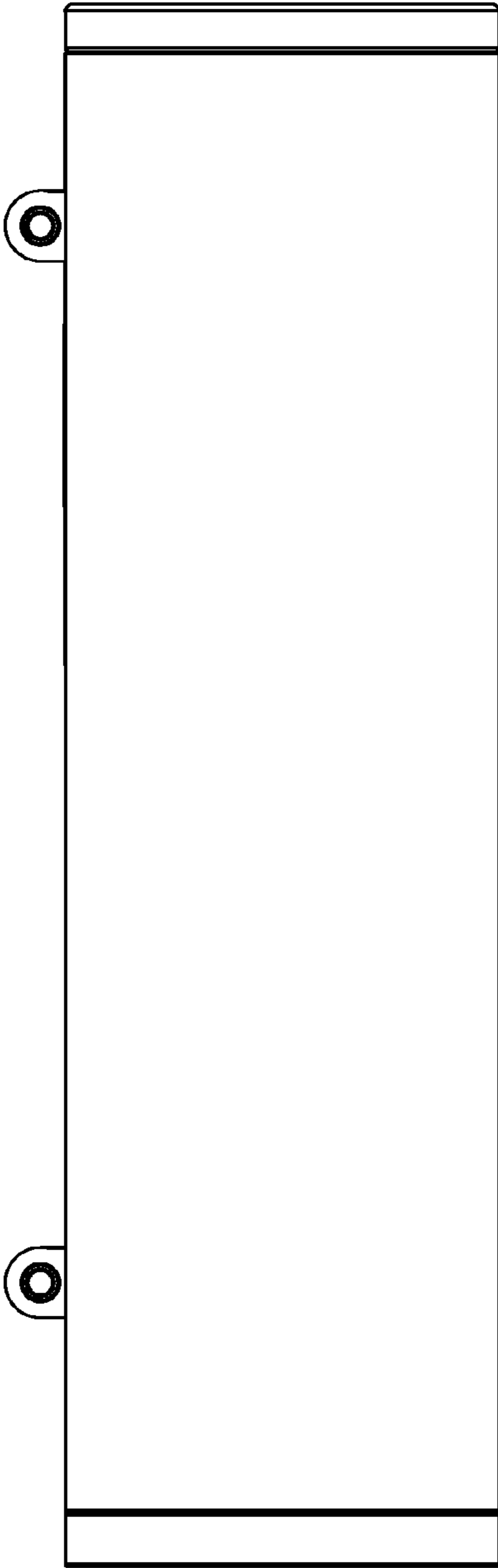


FIG. 12