



US00D675820S

(12) **United States Design Patent**  
**Campanella et al.**

(10) **Patent No.:** **US D675,820 S**

(45) **Date of Patent:** **\*\* Feb. 12, 2013**

(54) **HOME PLATE BALL HOLDER**

(76) Inventors: **Vince Campanella**, Lawrence, MA (US); **Ramon Quezada**, Lawrence, MA (US)

(\*\*) Term: **14 Years**

(21) Appl. No.: **29/405,659**

(22) Filed: **Nov. 4, 2011**

(51) **LOC (9) Cl.** ..... **03-01**

(52) **U.S. Cl.** ..... **D3/238; D3/234**

(58) **Field of Classification Search** ..... D3/243, D3/238; 150/100, 103-110, 113-114, 117-119  
See application file for complete search history.

(56) **References Cited**

U.S. PATENT DOCUMENTS

D217,107	S	*	4/1970	Cassidy et al.	.....	D3/282
D322,758	S	*	12/1991	Haire	.....	D9/430
6,440,004	B1	*	8/2002	Rodriguez	.....	473/218
D479,290	S	*	9/2003	DeChenne	.....	D21/717
D540,033	S	*	4/2007	Taniguchi	.....	D3/238
D583,557	S	*	12/2008	Siegel et al.	.....	D3/234
2003/0032506	A1	*	2/2003	Chi	.....	473/417

\* cited by examiner

*Primary Examiner* — Holly Baynham

(74) *Attorney, Agent, or Firm* — Lambert & Associates; Gary E. Lambert; David J. Connaughton, Jr.

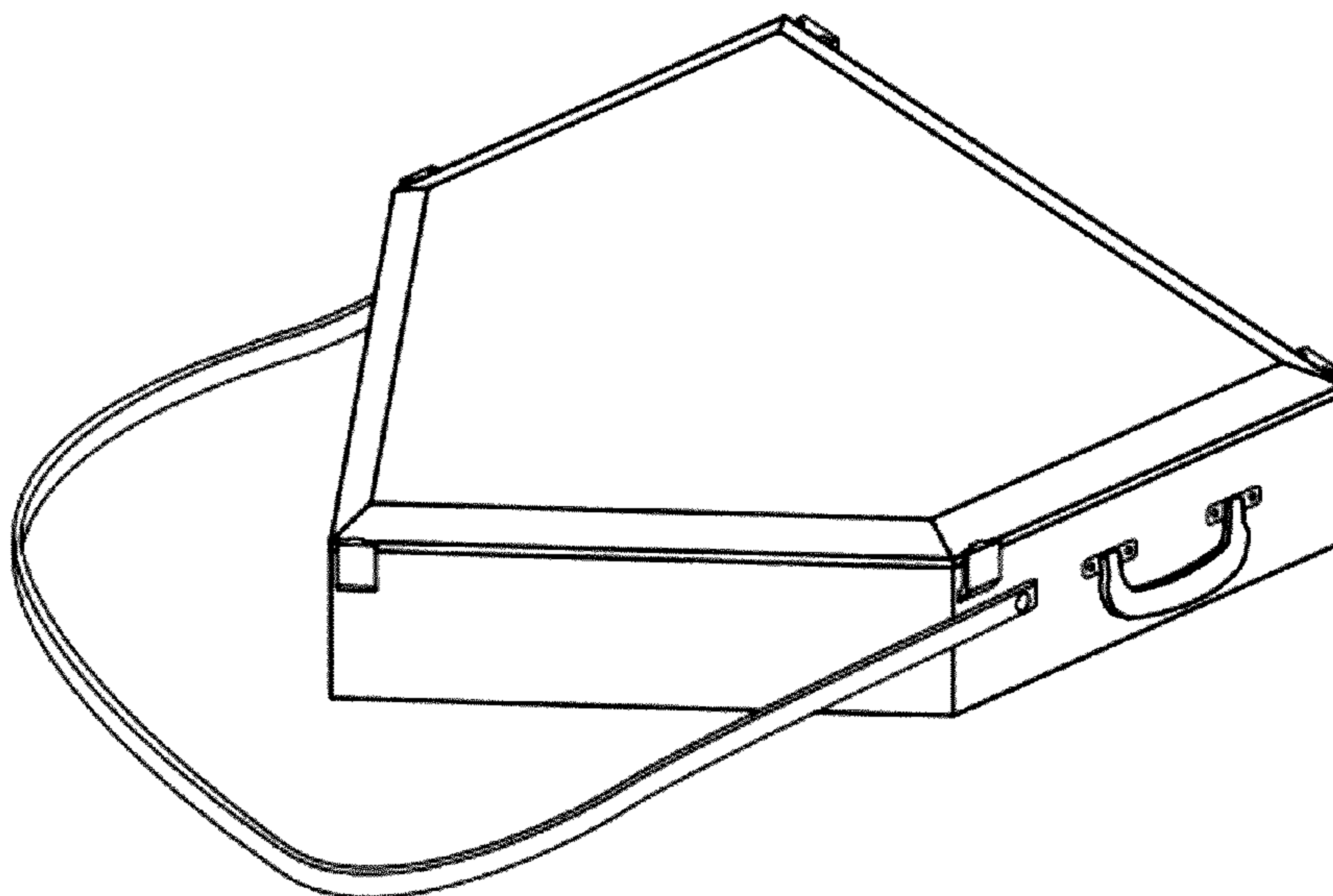
(57) **CLAIM**

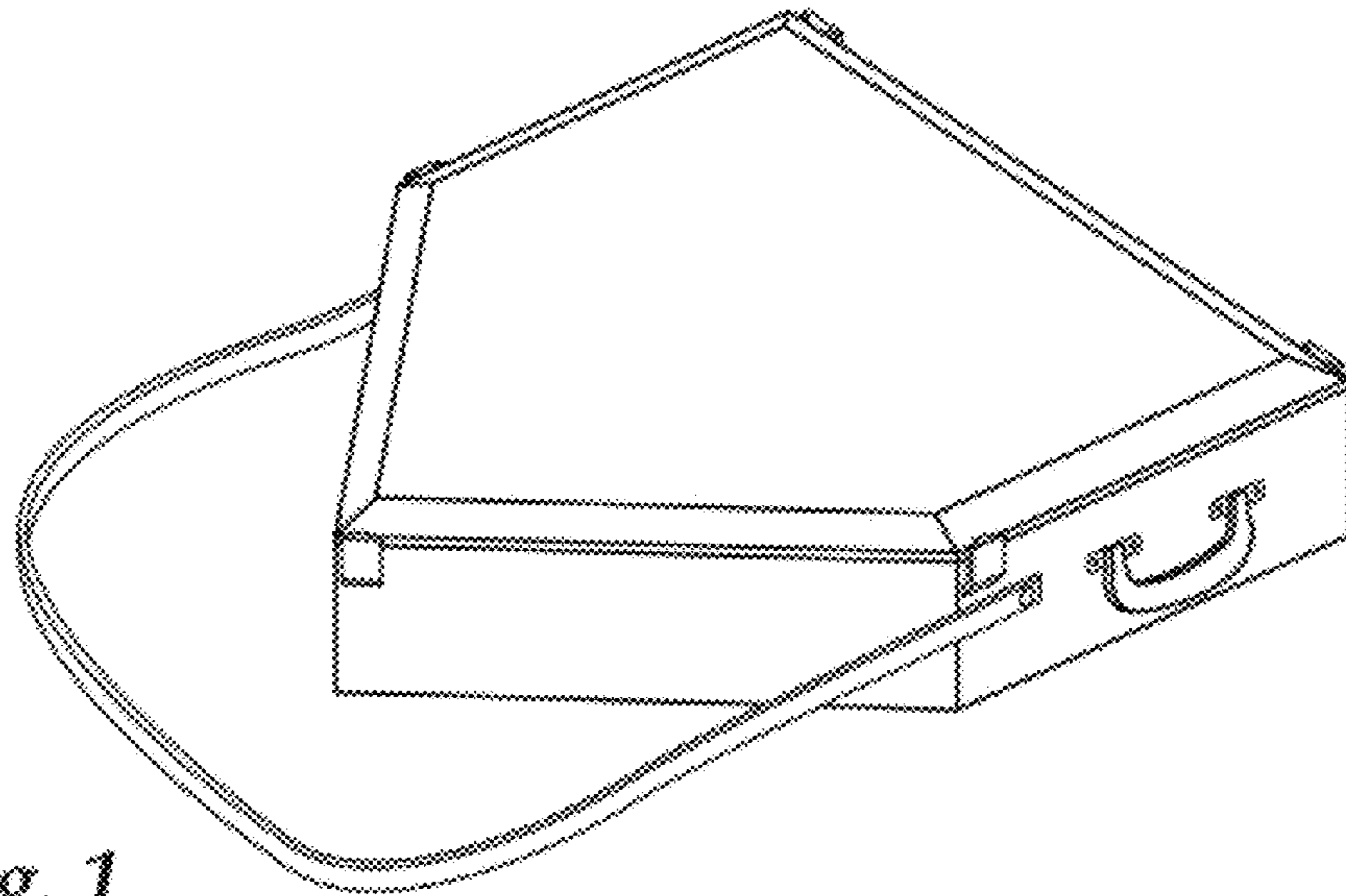
The ornamental design for a home plate ball holder, as shown and described.

**DESCRIPTION**

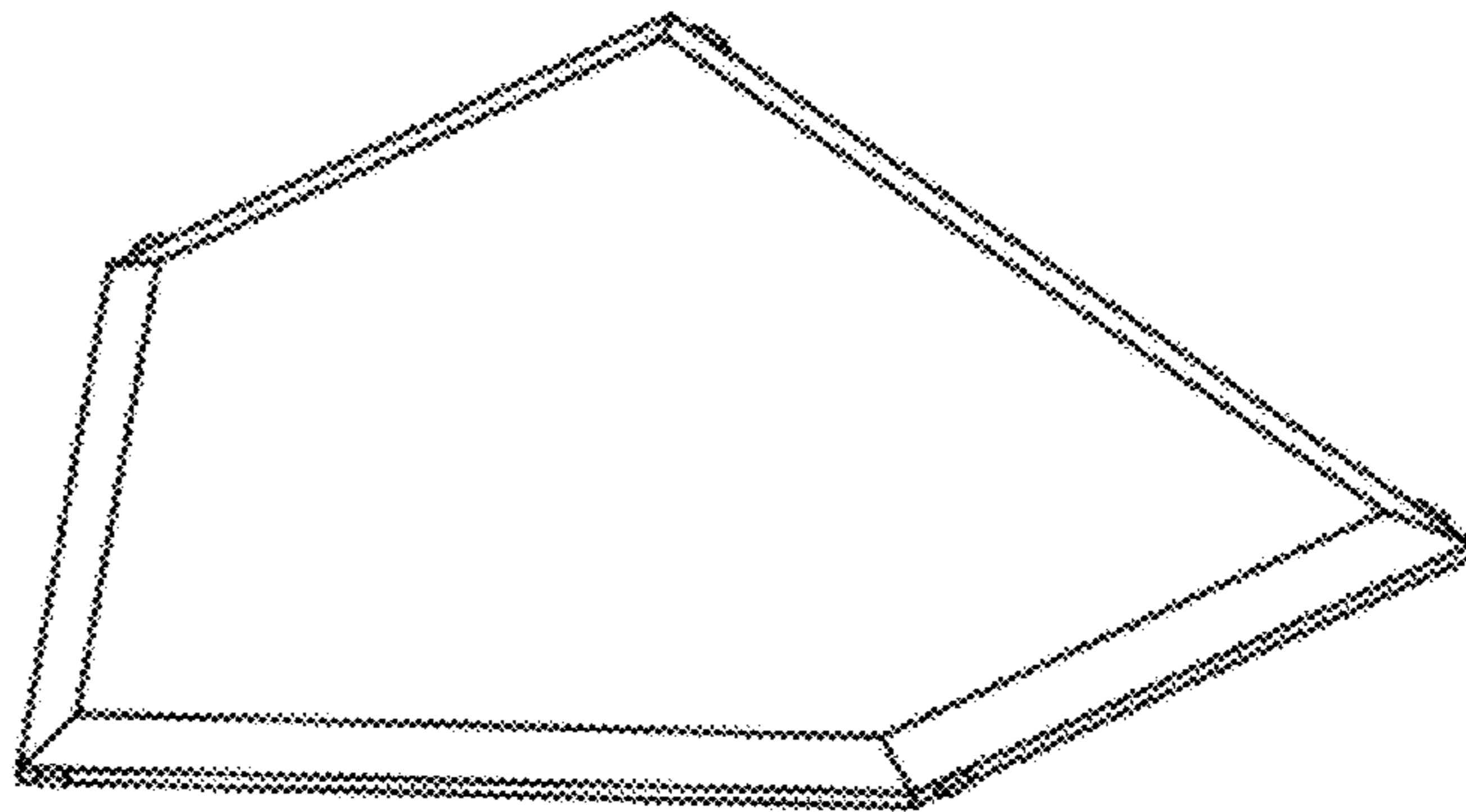
FIG. 1 is a front perspective view of the home plate ball holder, which embodies my design;  
FIG. 2 is a partially exploded perspective view showing a top of the home plate ball holder;  
FIG. 3 is a top elevation view of the home plate ball holder;  
FIG. 4 is a bottom elevation view of the home plate ball holder;  
FIG. 5 is a right side view of the home plate ball holder;  
FIG. 6 is a left side view of the home plate ball holder;  
FIG. 7 is a front side view of the home plate ball holder; and,  
FIG. 8 is a rear side view of the home plate ball holder.  
The broken line showing of baseballs is included for the purpose of illustrating and forms no part of the claimed design.

**1 Claim, 3 Drawing Sheets**

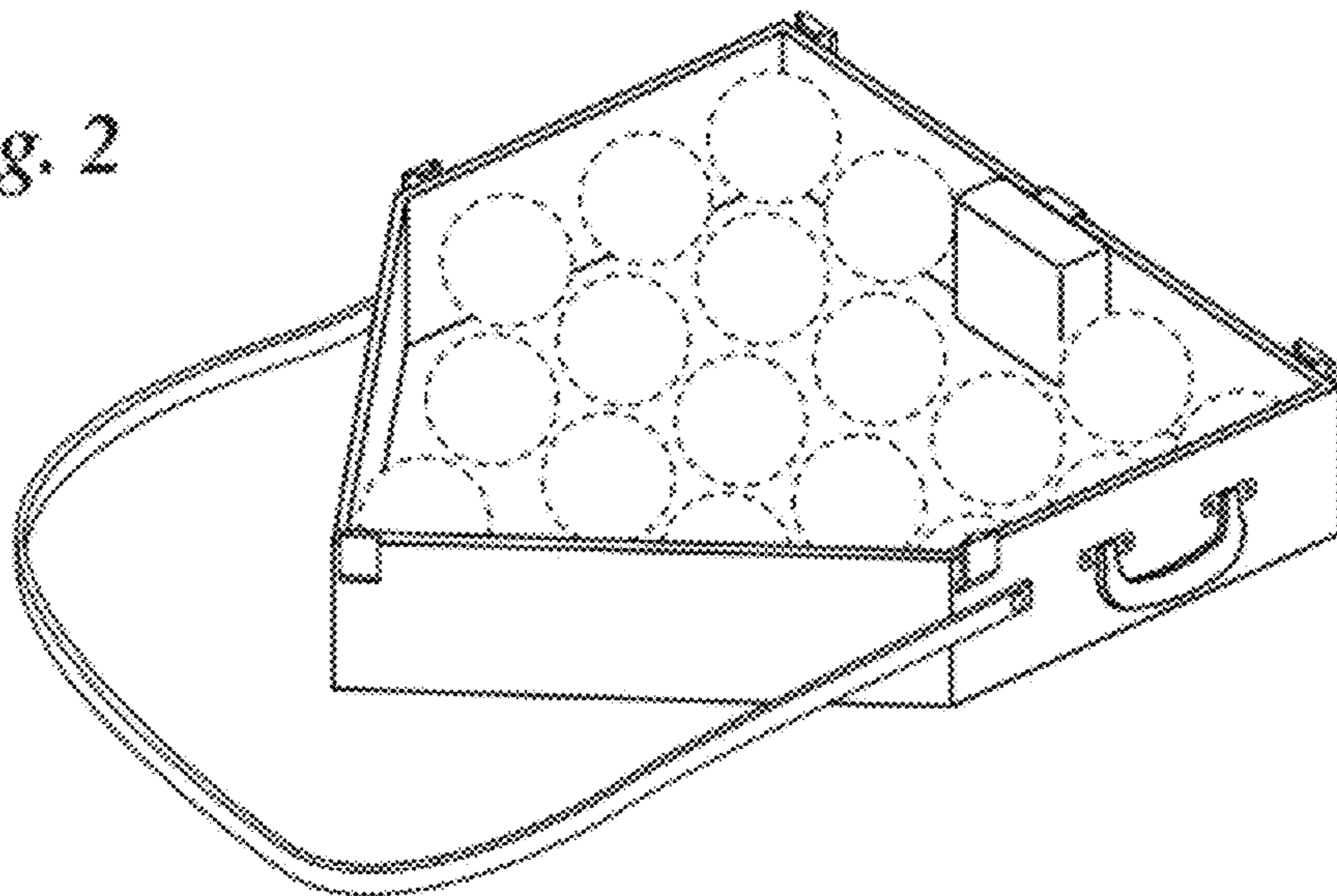


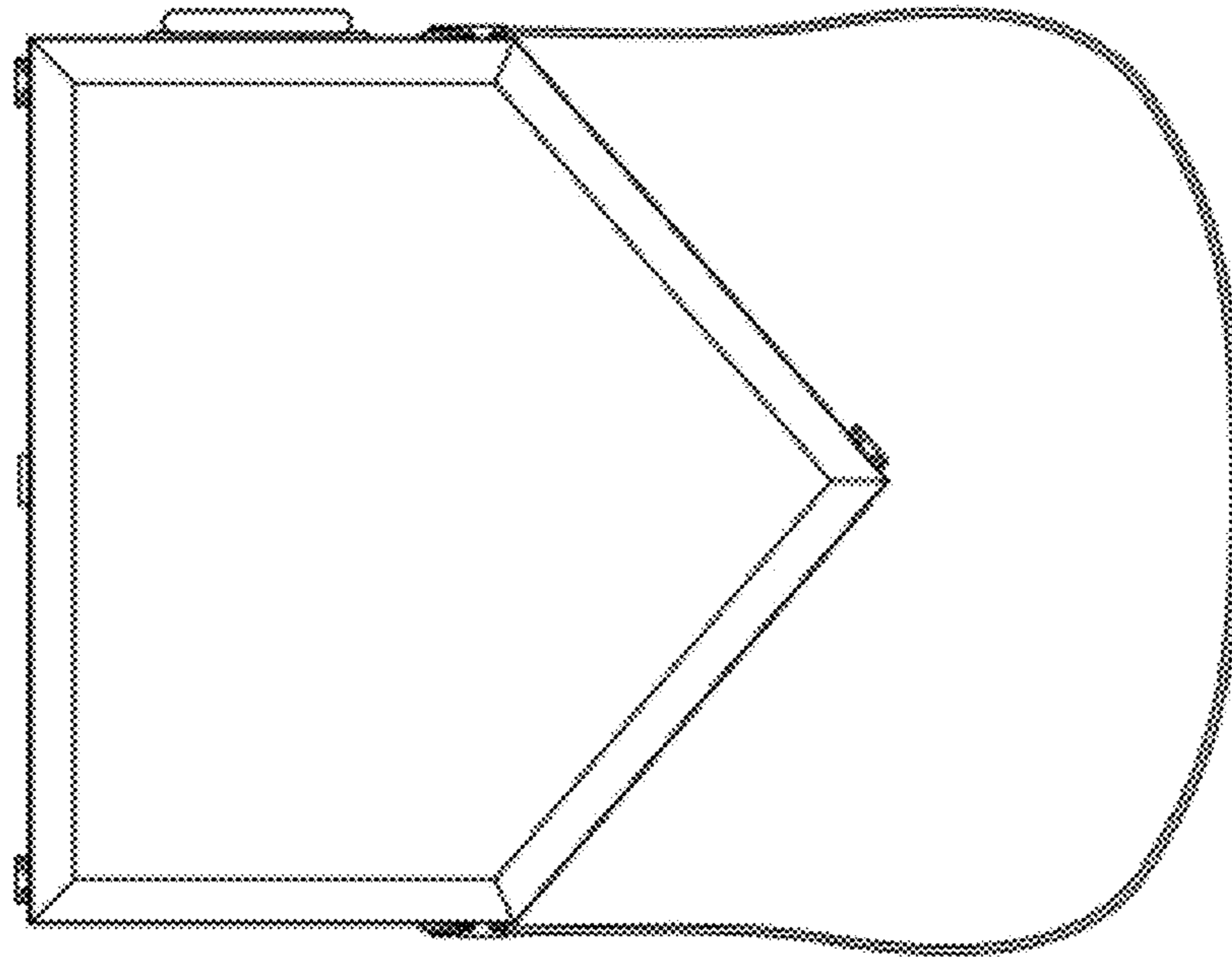


*Fig. 1*

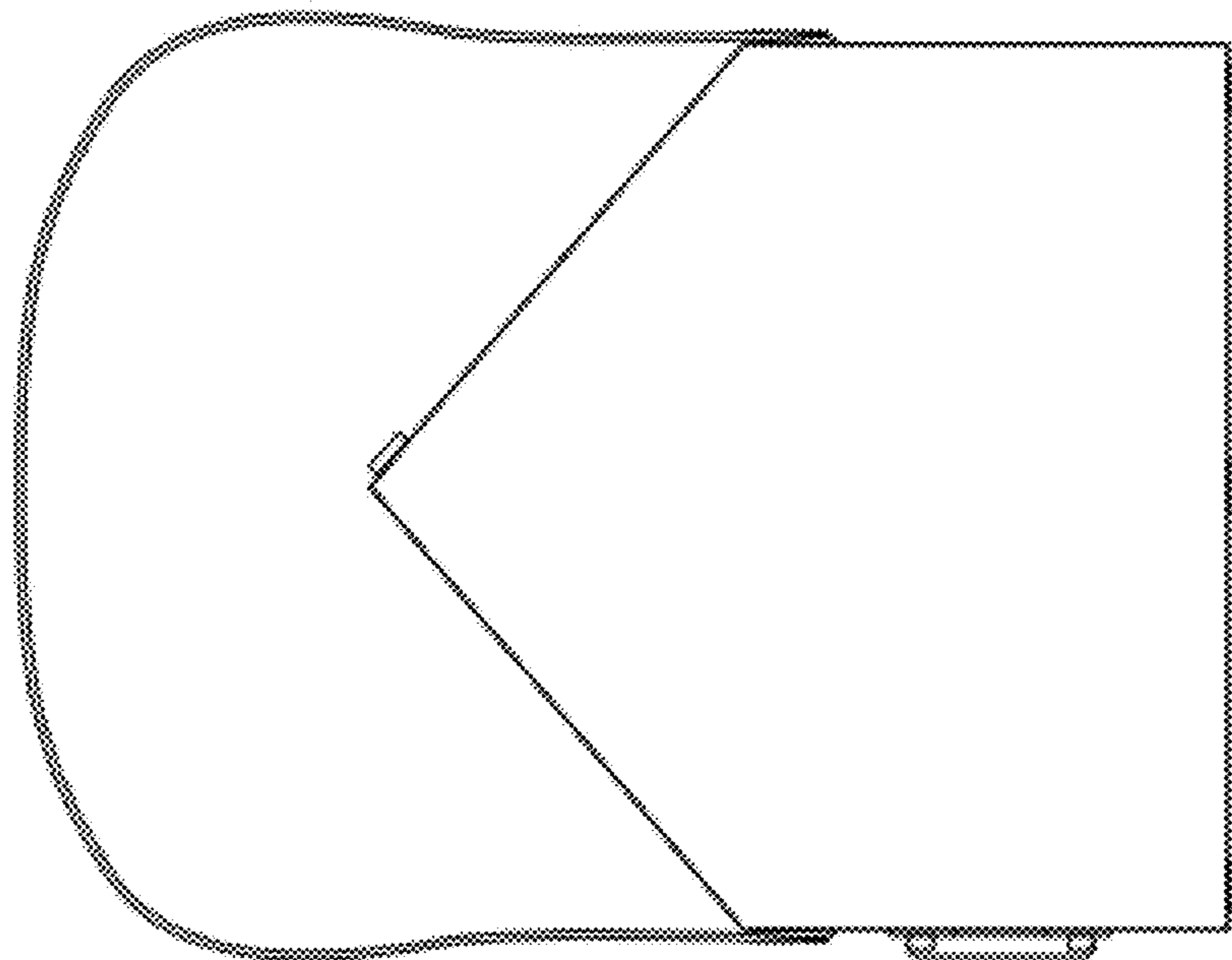


*Fig. 2*

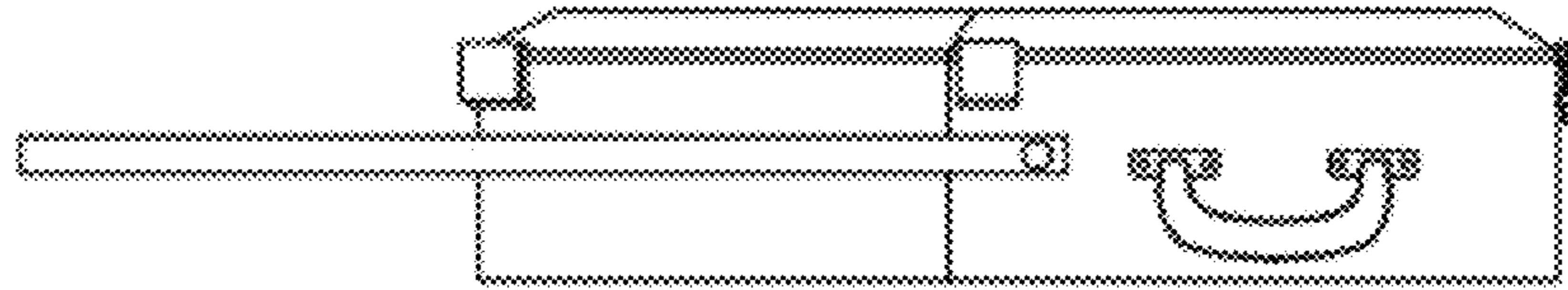




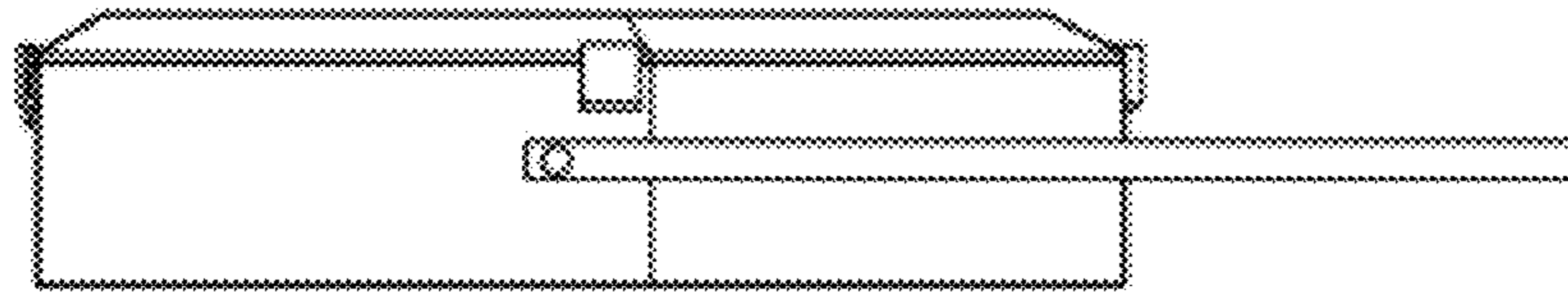
*Fig. 3*



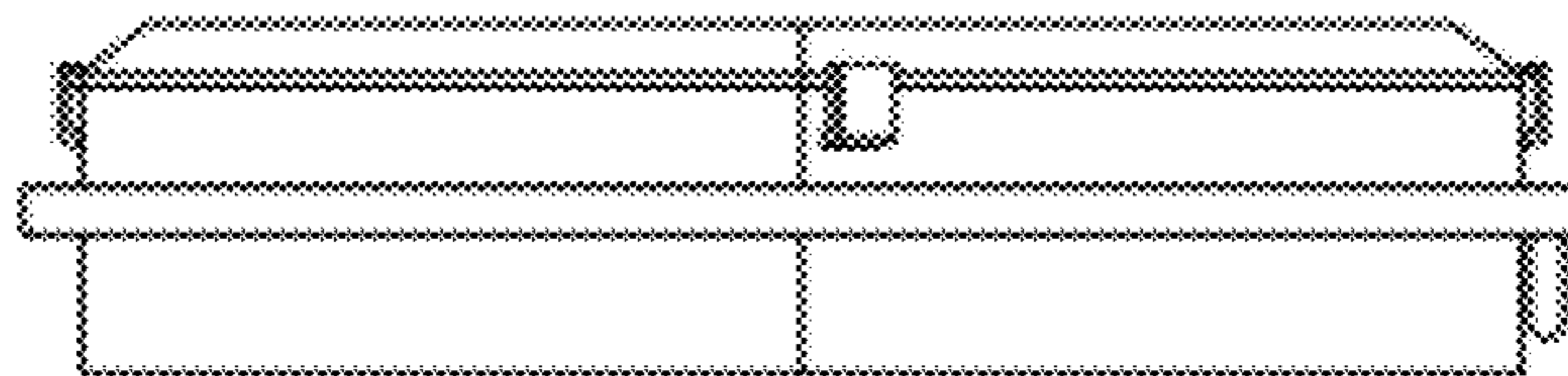
*Fig. 4*



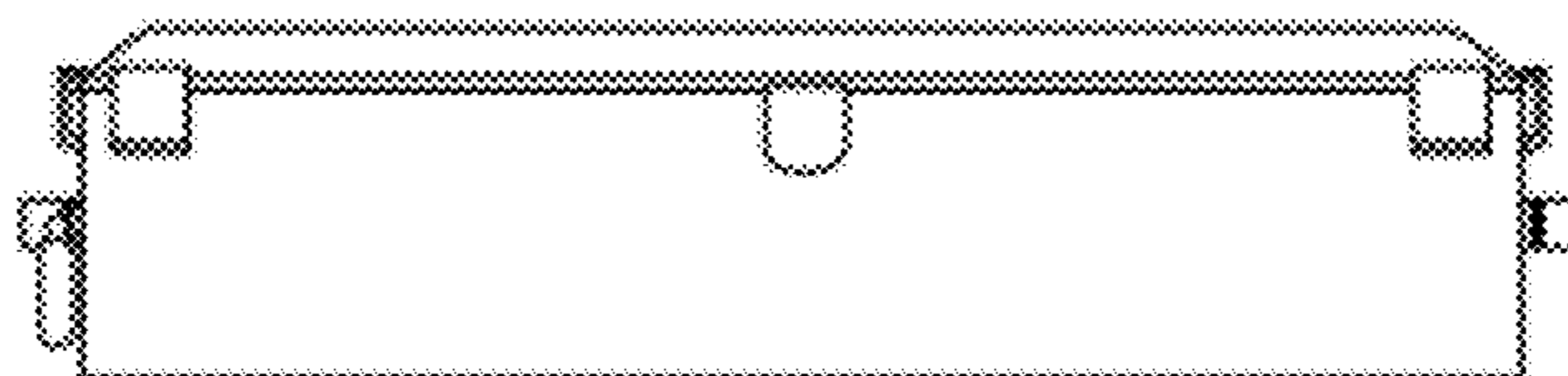
*Fig. 5*



*Fig. 6*



*Fig. 7*



*Fig. 8*