



US00D675818S

(12) **United States Design Patent**
Jenkins et al.

(10) **Patent No.:** **US D675,818 S**

(45) **Date of Patent:** **** Feb. 12, 2013**

(54) **FIREARM GARTER PURSE**

(76) Inventors: **Angel Jenkins**, Santa Ana, CA (US);
Monica Montero, Covina, CA (US)

(**) Term: **14 Years**

(21) Appl. No.: **29/416,271**

(22) Filed: **Mar. 20, 2012**

(51) **LOC (9) Cl.** **03-01**

(52) **U.S. Cl.** **D3/226; D3/223**

(58) **Field of Classification Search** D3/226,
D3/215, 224, 219, 222, 223, 232, 238; 224/219,
224/222, 238, 240, 578, 911; 383/43
See application file for complete search history.

(56) **References Cited**

U.S. PATENT DOCUMENTS

1,844,603	A *	2/1932	Rufe Sarson	224/238
4,998,653	A *	3/1991	LaBelle	224/578
D360,975	S *	8/1995	Smith	D3/226
5,794,769	A *	8/1998	Tomlinson et al.	224/222

D469,249	S *	1/2003	Cain	D3/215
D506,059	S *	6/2005	Goldberg	D3/226
D630,428	S *	1/2011	Hong	D3/226

* cited by examiner

Primary Examiner — Catheri Oliver-Garcia

(74) *Attorney, Agent, or Firm* — Steven A. Nielsen; Allman & Nielsen, P.C.

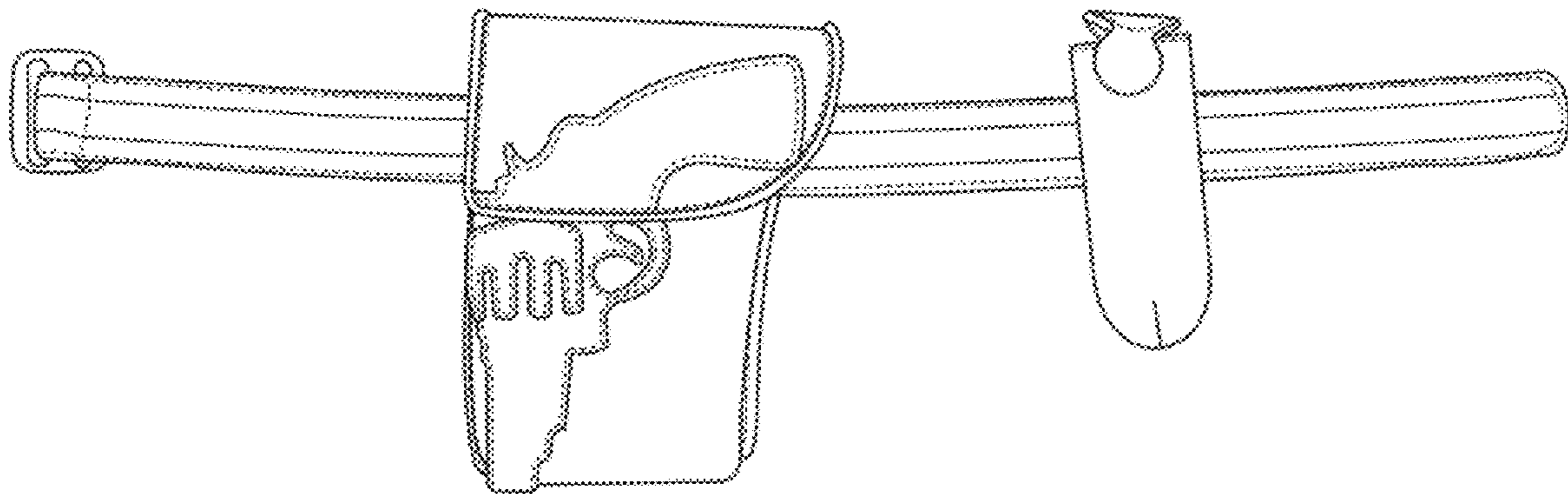
(57) **CLAIM**

The ornamental design for a firearm garter purse, as shown and described.

DESCRIPTION

FIG. 1 is a front elevational view of the claimed firearm garter purse;
FIG. 2 is a rear elevational view thereof;
FIG. 3 is an enlarged right side elevation view thereof;
FIG. 4 is an enlarged left side elevation view thereof;
FIG. 5 is a top plan view thereof;
FIG. 6 is a bottom plan view thereof; and,
FIG. 7 is a front perspective view thereof.

1 Claim, 7 Drawing Sheets



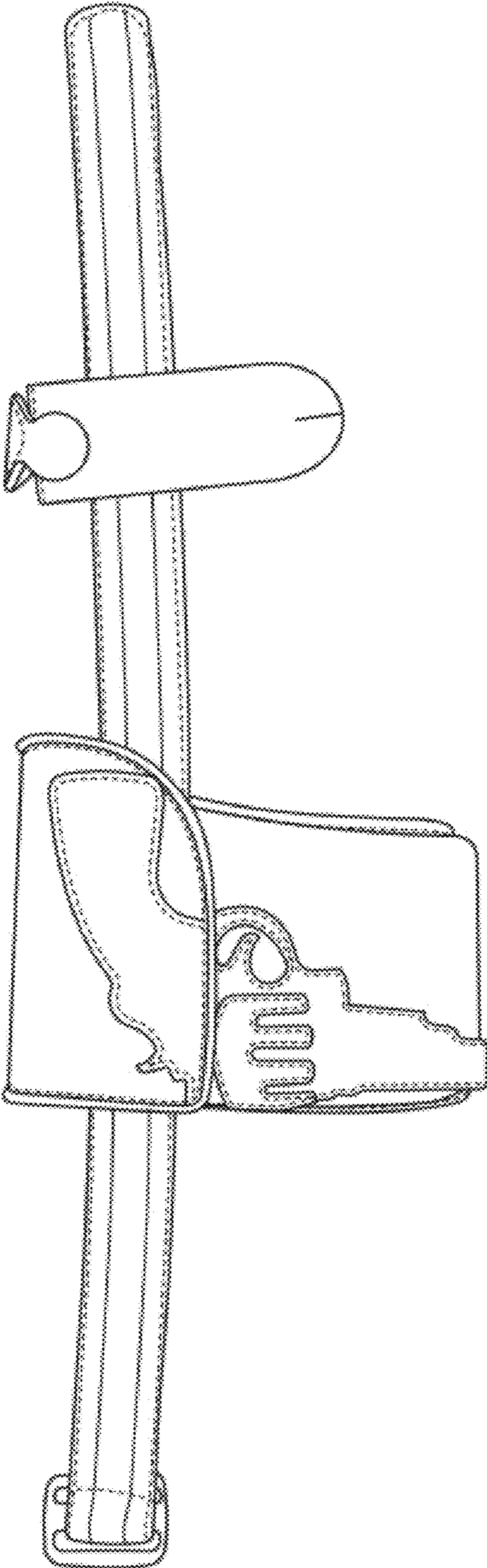


Fig. 1

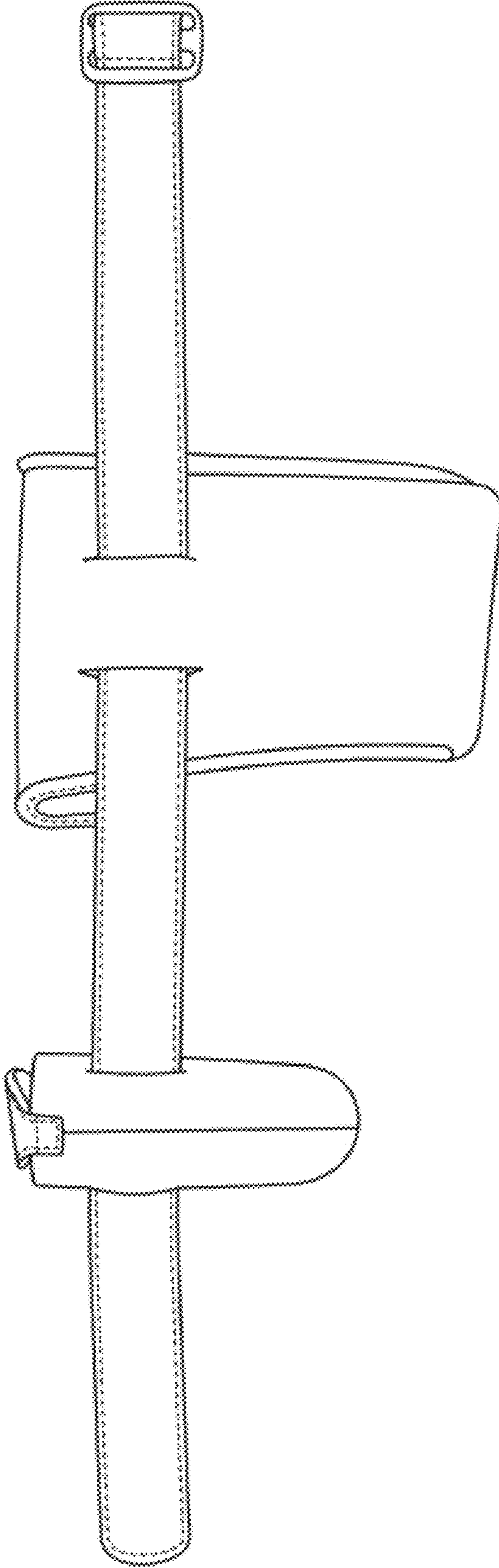


Fig. 2

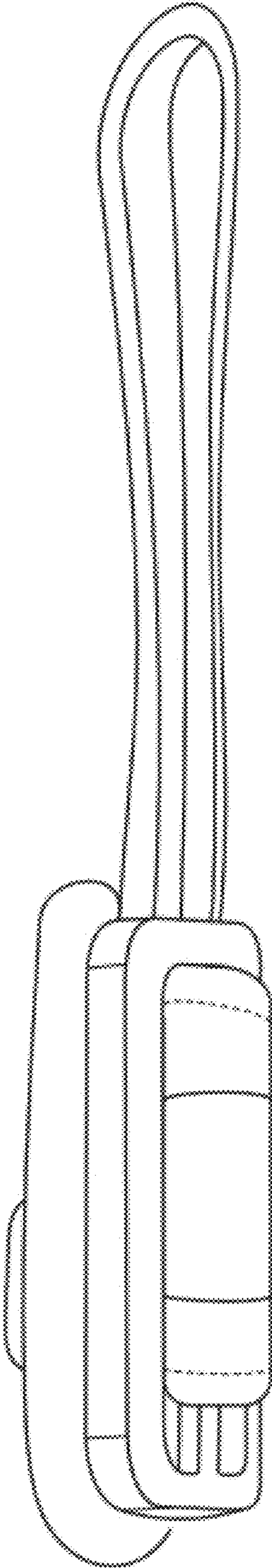


Fig. 3

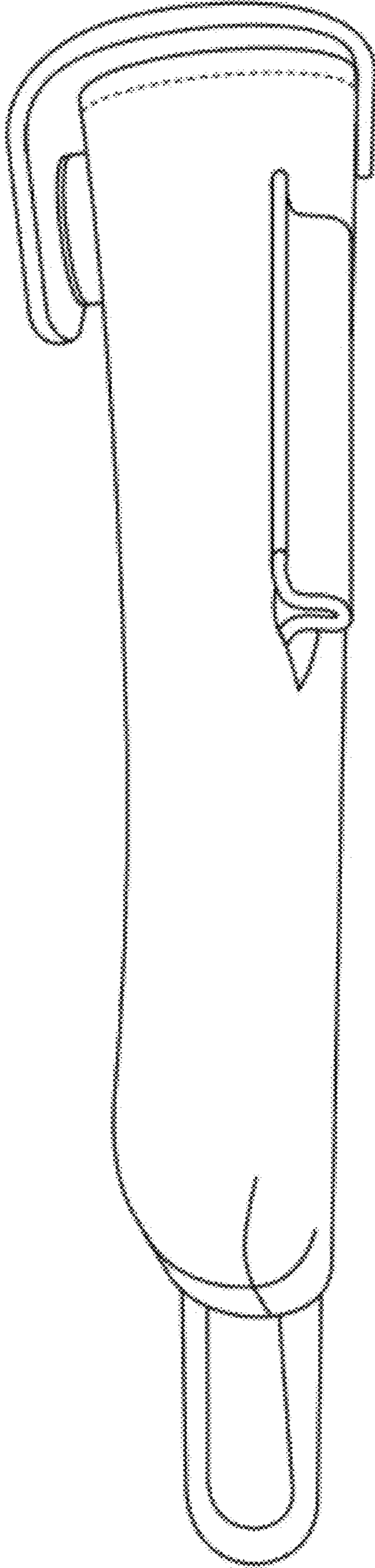


Fig. 4

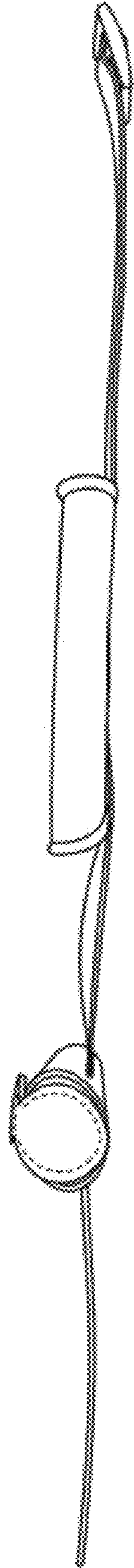


Fig. 5

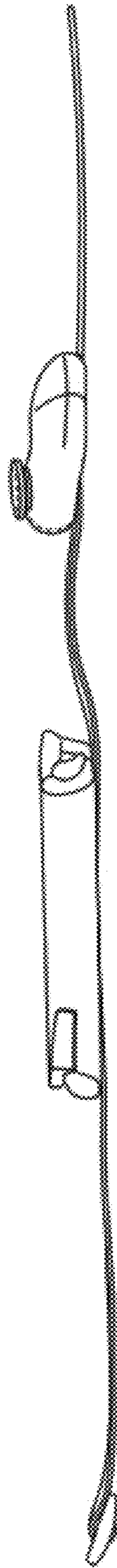


Fig. 6

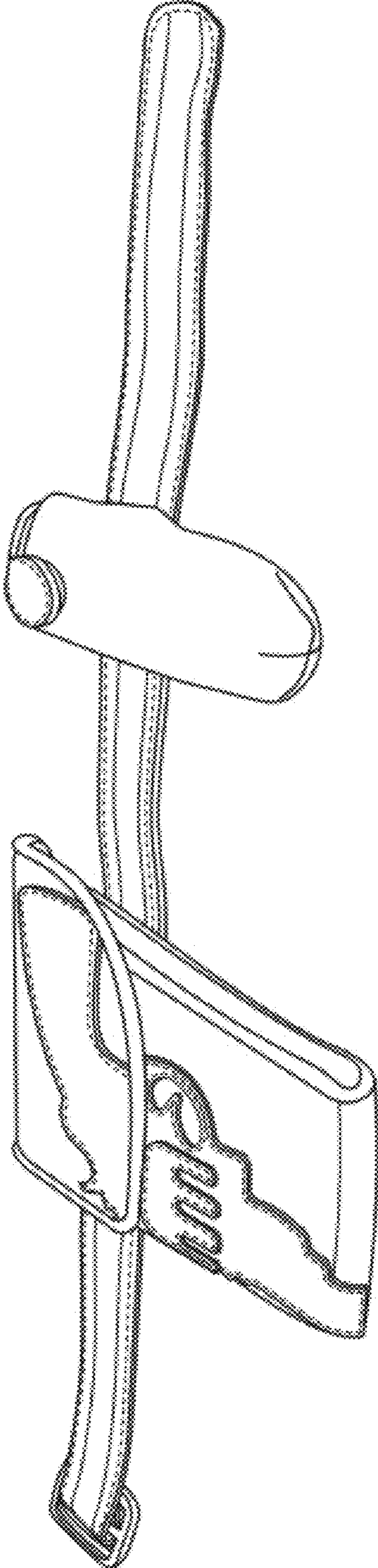


Fig. 7