



US00D675813S

(12) **United States Design Patent**
Hayashi

(10) **Patent No.:** **US D675,813 S**

(45) **Date of Patent:** **** Feb. 12, 2013**

(54) **HIGH HEEL SHOE**

(76) Inventor: **Mika Hayashi**, Demarest, NJ (US)

(**) Term: **14 Years**

(21) Appl. No.: **29/424,702**

(22) Filed: **Jun. 14, 2012**

(51) **LOC (9) Cl.** **02-04**

(52) **U.S. Cl.** **D2/950; D2/947**

(58) **Field of Classification Search** D2/902,
D2/906, 908, 916, 918, 925, 946-962, 977;
36/3 B, 22 R, 24.5, 25 R, 28, 32 R, 34 R,
36/59 C, 67 A, 103

See application file for complete search history.

D557,885 S * 12/2007 McClaskie D2/953
D565,833 S 4/2008 Juan
D568,592 S 5/2008 Choi
D597,285 S 8/2009 Ringholz
D631,647 S 2/2011 Hipshman
D636,160 S * 4/2011 Issler D2/952
D648,515 S 11/2011 Kotoyan

* cited by examiner

Primary Examiner — T. Chase Nelson

(74) *Attorney, Agent, or Firm* — QuickPatents; Kevin Prince

(57) **CLAIM**

I claim the ornamental design for a high heel shoe, as shown and described.

DESCRIPTION

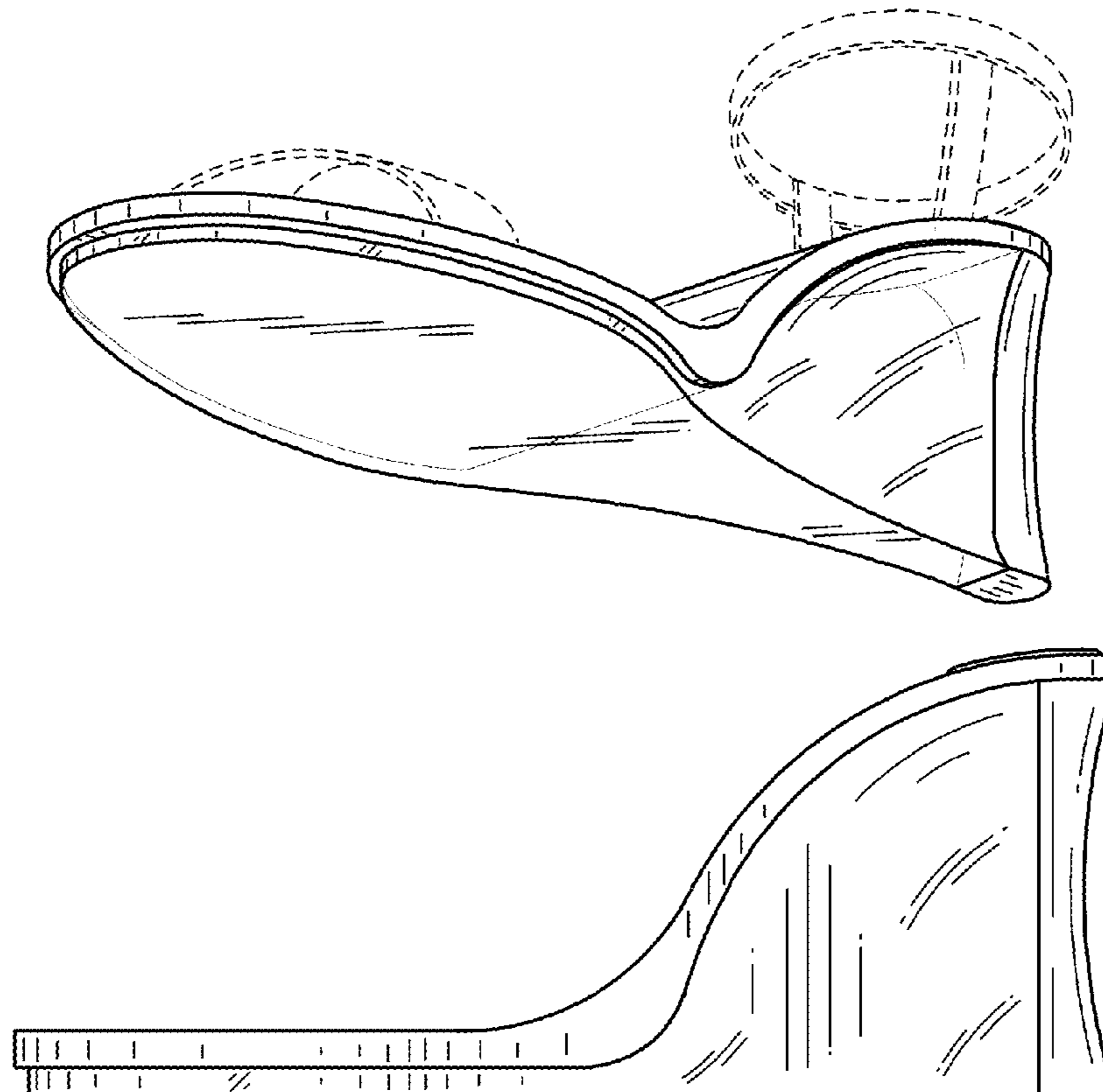
FIG. 1 is a bottom perspective view of a high heel shoe, showing my new design;
FIG. 2 is a left-side elevational view thereof;
FIG. 3 is a right-side elevational view thereof;
FIG. 4 is a front elevational view thereof;
FIG. 5 is a rear elevational view thereof;
FIG. 6 is a top plan view thereof; and,
FIG. 7 is a bottom plan view thereof.
The broken lines showing shoe straps in FIG. 1 depict environmental matter and form no part of the claimed design.

1 Claim, 3 Drawing Sheets

(56) **References Cited**

U.S. PATENT DOCUMENTS

D121,193 S	6/1940	Nutt	
D124,896 S	1/1941	Fein	
2,288,388 A	6/1942	Bolten	
D255,618 S *	7/1980	Artstein	D2/950
D255,843 S *	7/1980	Goldman	D2/950
D257,701 S *	12/1980	Famolare, Jr.	D2/950
4,245,407 A	1/1981	Mazabras	
D259,298 S *	5/1981	Famolare, Jr.	D2/950
D265,692 S *	8/1982	Famolare, Jr.	D2/950
D415,338 S	10/1999	Phillips	
D499,240 S	12/2004	Kuo	



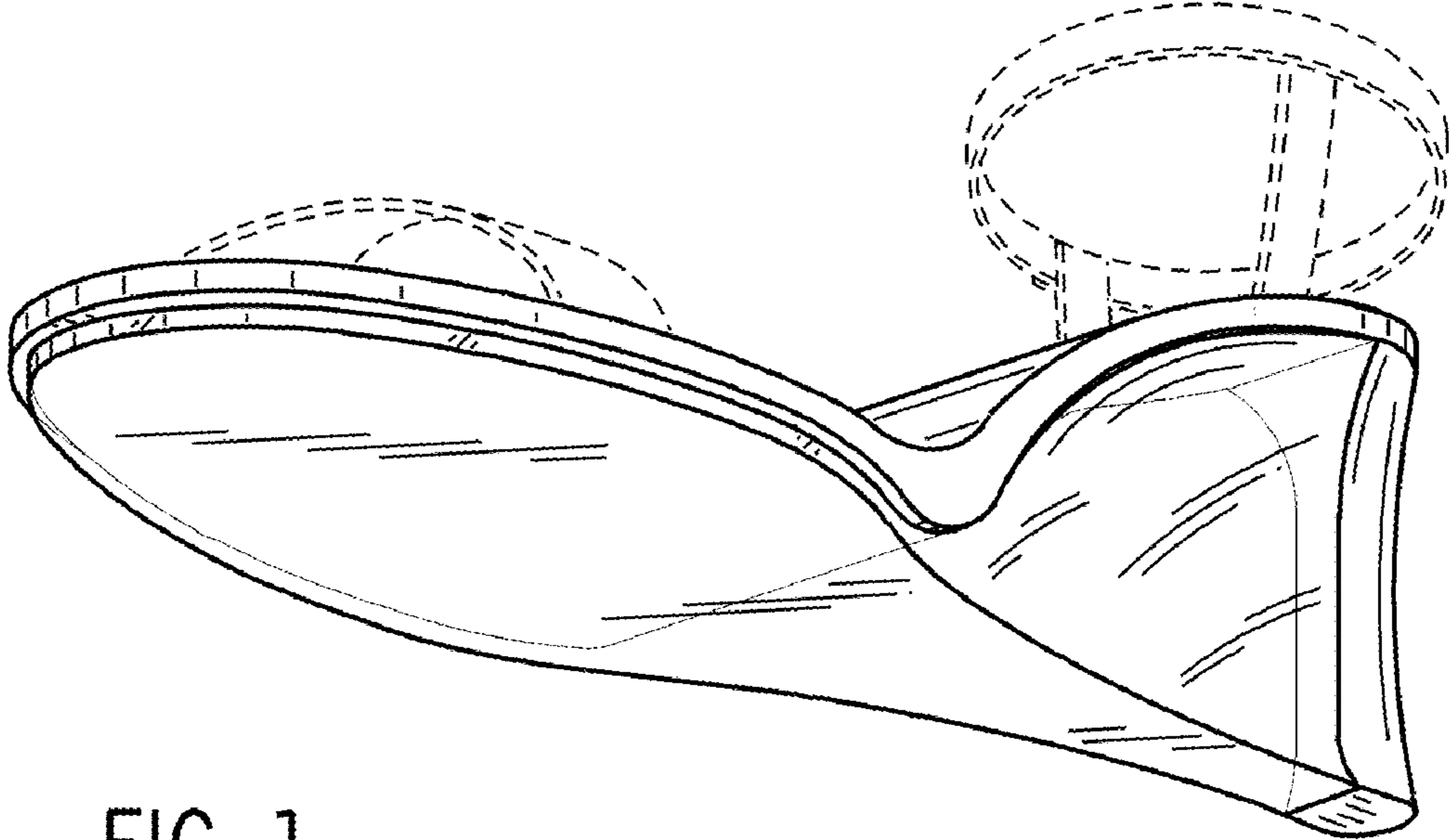


FIG. 1

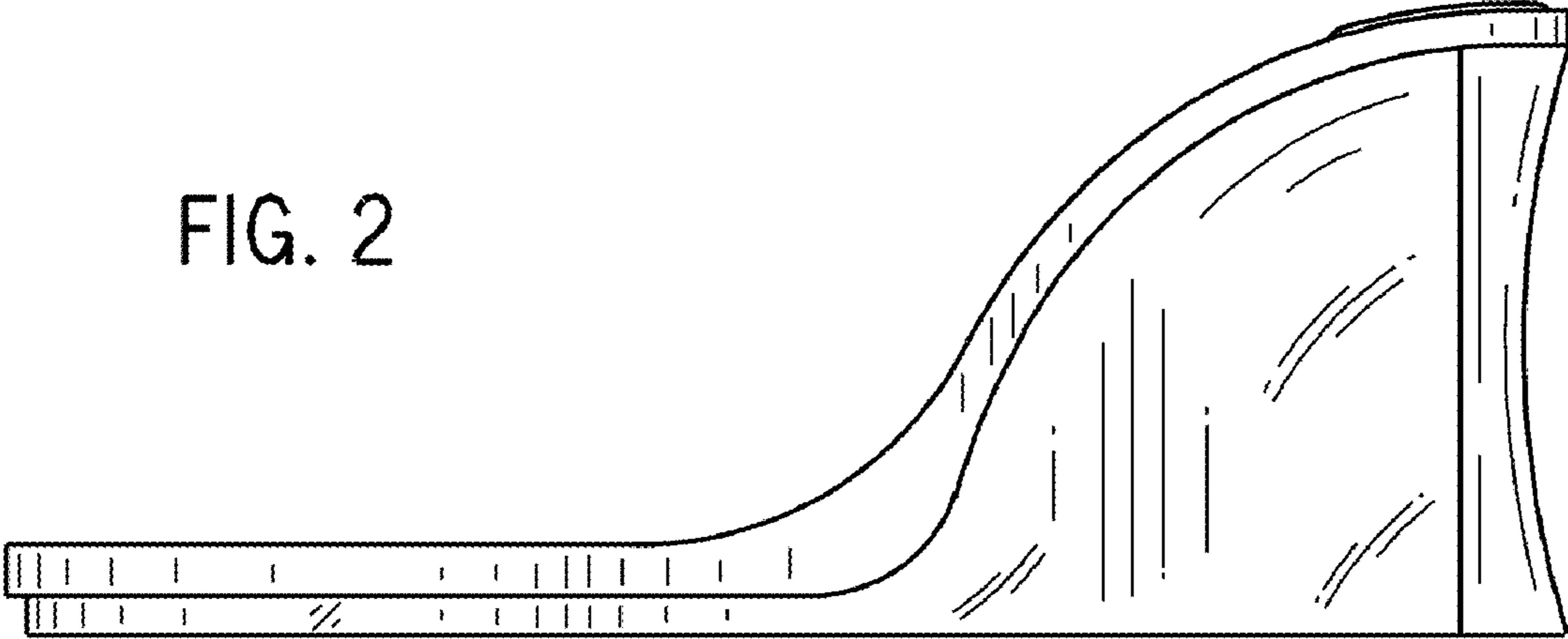
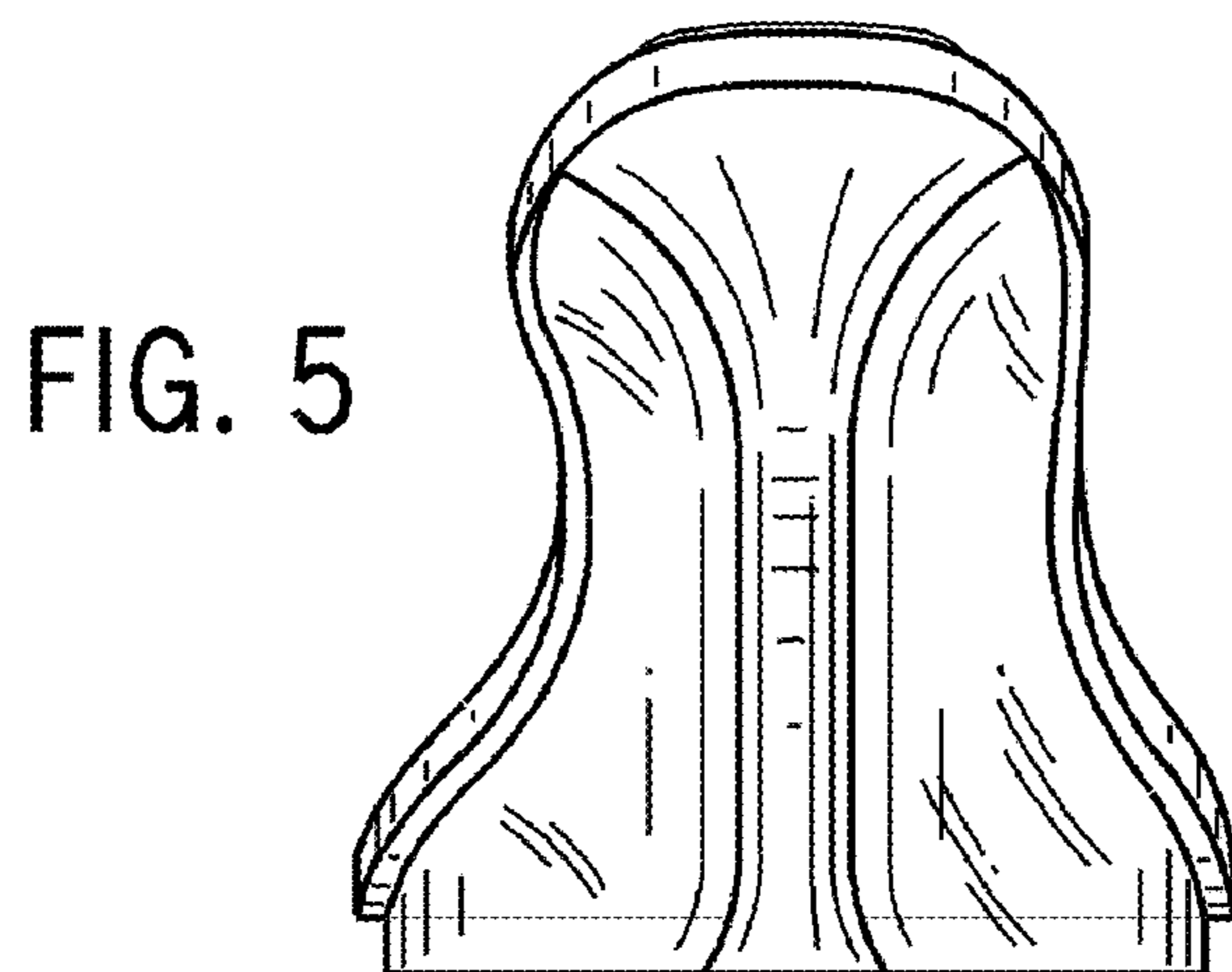
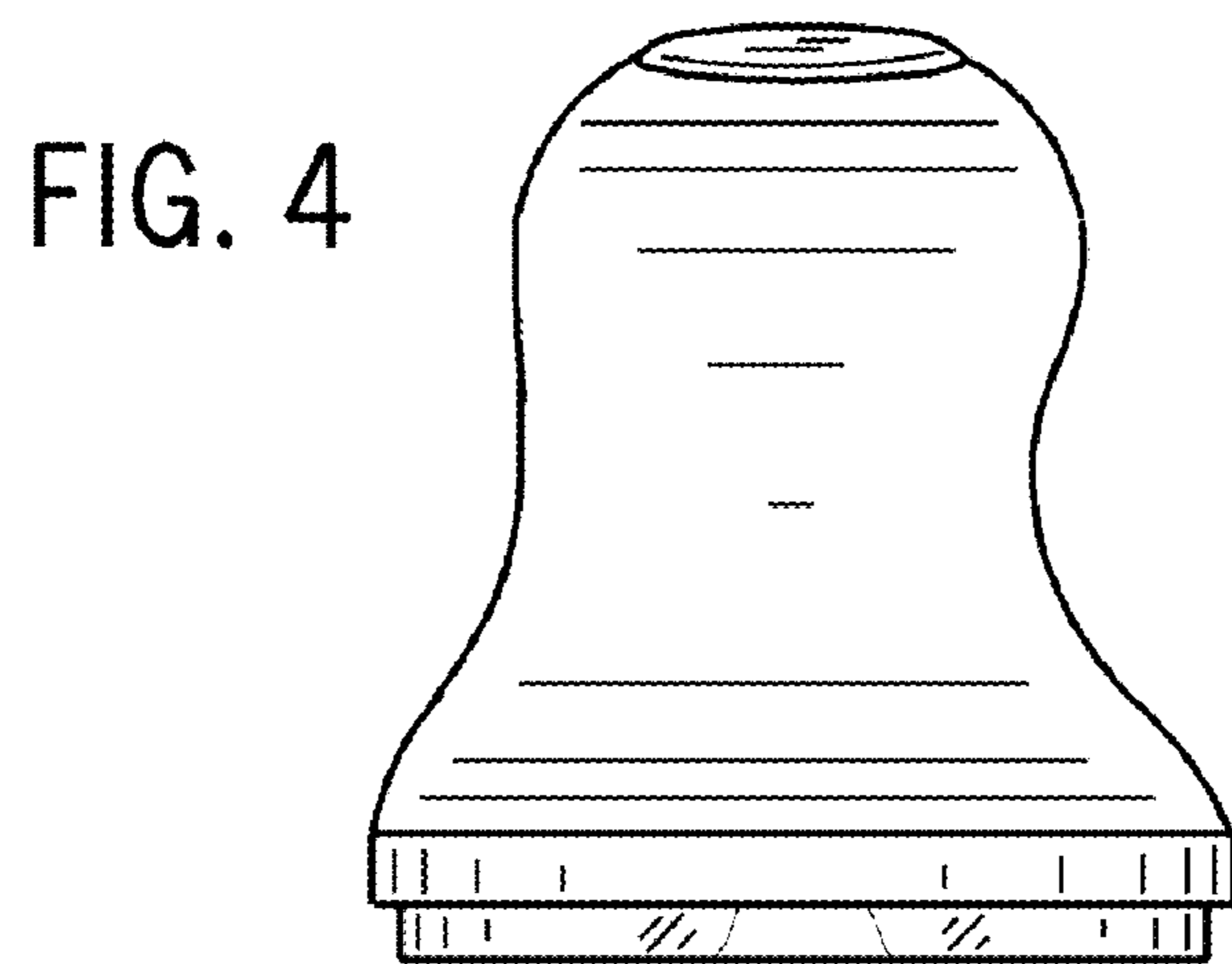
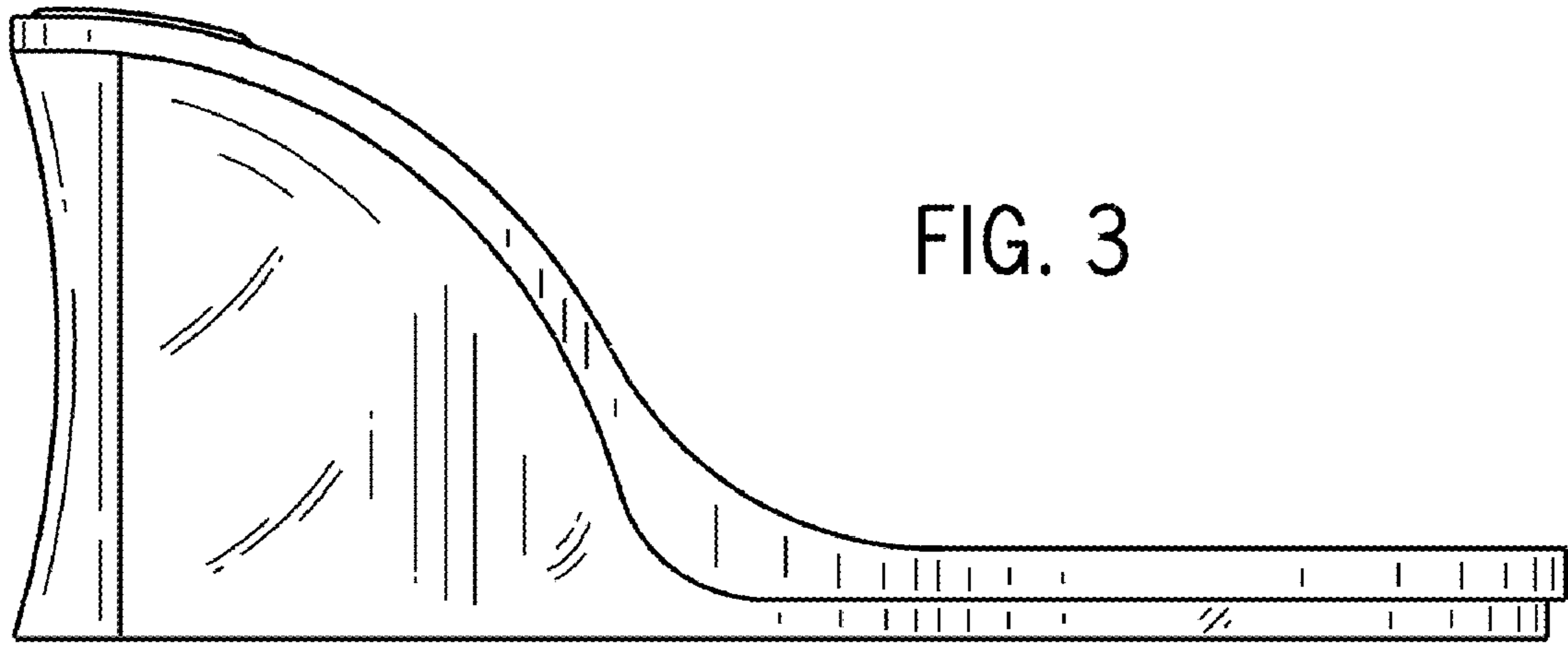


FIG. 2



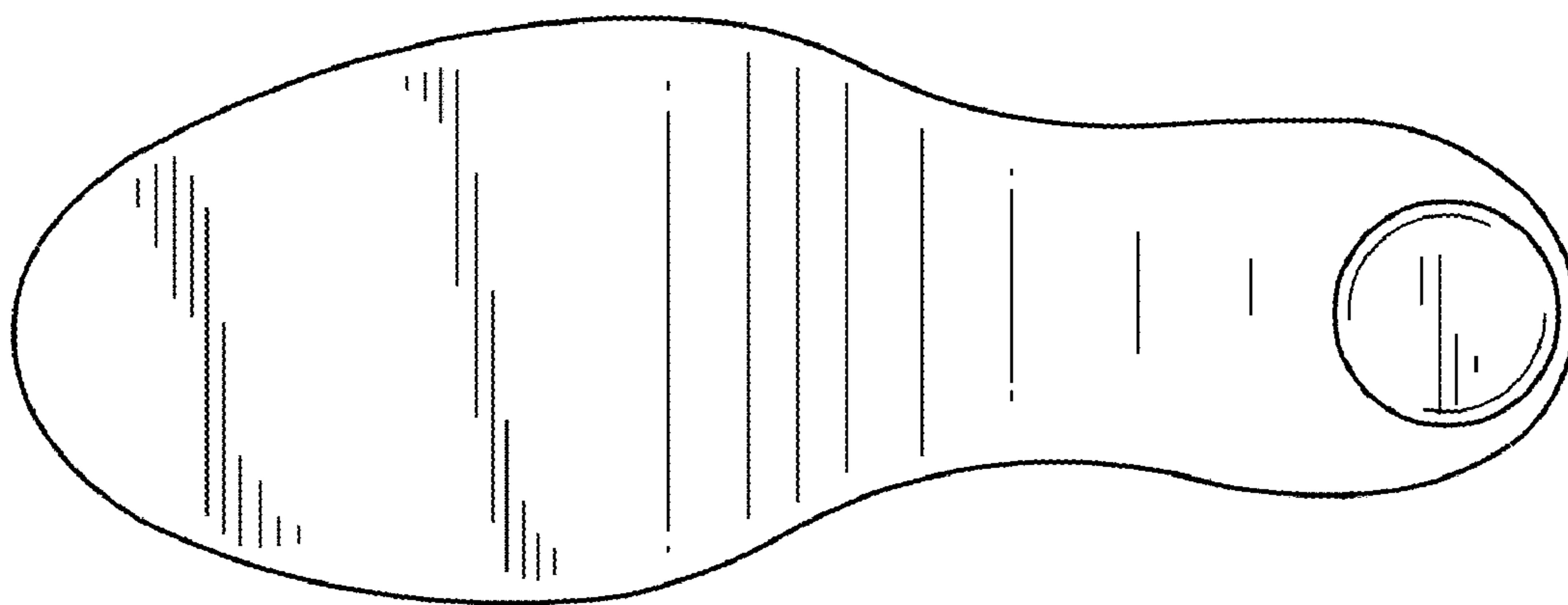


FIG. 6

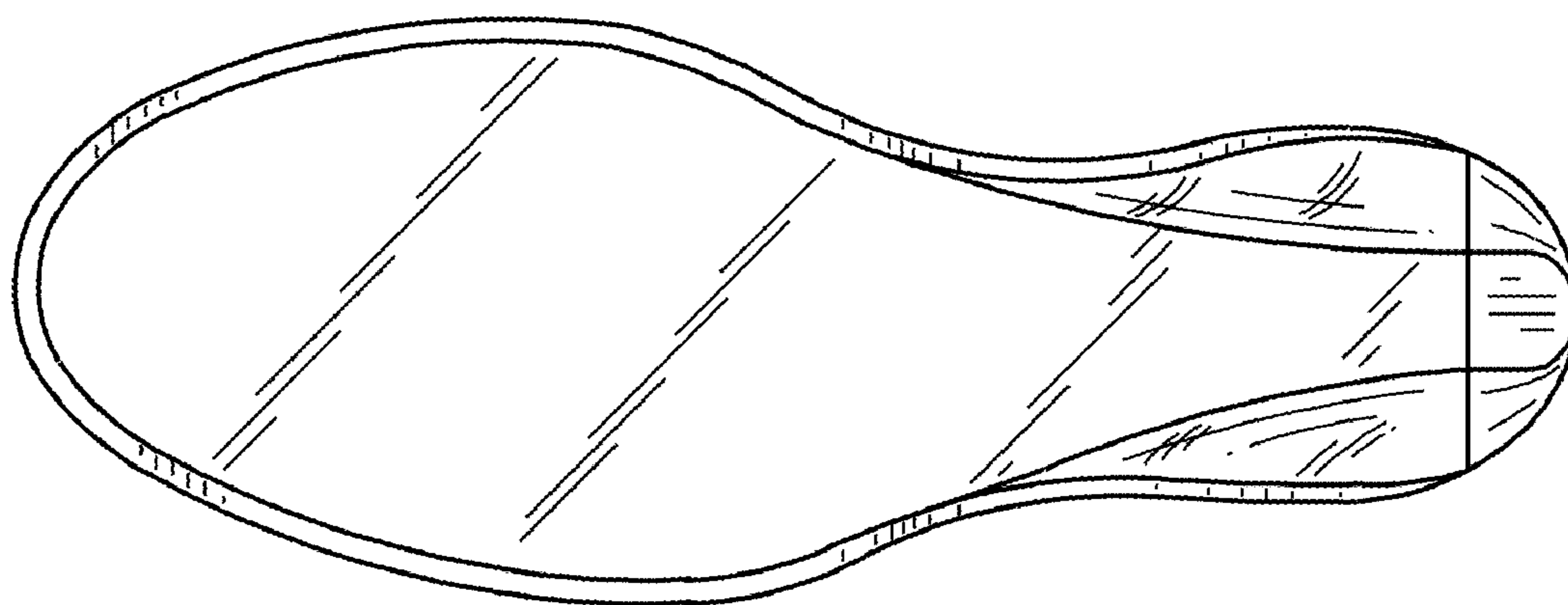


FIG. 7