



US00D675812S

(12) **United States Design Patent**
Richards

(10) **Patent No.:** **US D675,812 S**
(45) **Date of Patent:** **** Feb. 12, 2013**

(54) **CAP**

(76) **Inventor:** **Antoine D. Richards**, Washington, DC
(US)

(**) **Term:** **14 Years**

(21) **Appl. No.:** **29/425,634**

(22) **Filed:** **Jun. 25, 2012**

Related U.S. Application Data

(63) Continuation-in-part of application No. 29/382,170,
filed on Dec. 29, 2010, now Pat. No. Des. 663,926.

(51) **LOC (9) Cl.** **02-03**

(52) **U.S. Cl.** **D2/882**

(58) **Field of Classification Search** D2/865,
D2/866, 869, 870, 871, 872, 873, 874, 875,
D2/876, 877, 878, 879, 880, 881, 882, 884,
D2/886, 888, 891, 892, 893, 894, 895; 2/171,
2/171.4, 171.5, 172, 181, 181.2, 182.8, 183,
2/175.1, 175.3, 175.4, 195.1, 195.2, 195.3,
2/195.4, 200.1, 200.2, 200.3, 209.3, 209.4,
2/209.5, 209.7

See application file for complete search history.

(56) **References Cited**

U.S. PATENT DOCUMENTS

D174,882	S	*	5/1955	Lipkin	D2/882
D235,940	S	*	7/1975	Stock	D2/870
D235,941	S	*	7/1975	Stock	D2/870
D237,844	S	*	12/1975	Stock	D2/870
4,222,125	A	*	9/1980	Sewell-Wood	2/195.1
4,486,903	A	*	12/1984	Krystal	2/172
D295,800	S	*	5/1988	Shelton, Jr.	D2/870
D296,031	S	*	6/1988	Coy et al.	D2/866
D332,507	S	*	1/1993	Anderson et al.	D29/106
D332,672	S	*	1/1993	Abate	D29/105
D334,830	S	*	4/1993	Siegel	D2/878
5,289,591	A	*	3/1994	Andersen	2/411
D350,710	S	*	9/1994	Keiffer	D11/157
D362,106	S	*	9/1995	Wauldron	D2/870
D366,557	S	*	1/1996	Ashby et al.	D2/870
D376,467	S	*	12/1996	Randolph	D2/881
D397,580	S	*	9/1998	Dunn et al.	D7/402

D410,690	S	*	6/1999	Pratt et al.	D2/872
D413,425	S	*	9/1999	Bardin	D2/878
6,401,258	B1	*	6/2002	Wilson	2/410
D478,204	S	*	8/2003	Cortez et al.	D2/870
D525,767	S	*	8/2006	Boyle	D2/870
D539,514	S	*	4/2007	Talley	D2/878
D559,502	S	*	1/2008	Lanphere, Jr.	D2/870
D565,281	S	*	4/2008	Dhillon	D2/865
7,536,731	B1	*	5/2009	Feldman	2/410
D608,057	S	*	1/2010	Zagar	D30/112
D663,926	S	*	7/2012	Richards	D2/882
2004/0010839	A1	*	1/2004	Cheatum	2/171
2004/0250337	A1	*	12/2004	Pietrzykowski	2/195.3
2005/0229290	A1	*	10/2005	Brooks	2/182.8

FOREIGN PATENT DOCUMENTS

KR 300549544.0000 * 1/2010

OTHER PUBLICATIONS

Baltimore Colts 1957-1976 Vintage Football Helmet, for sale on eBay. downloaded from the Internet on Sep. 10, 2012. URL: <http://www.ebay.com/sch/sis.html?_nkw=BALTIMORE%20COLTS%201957%201976%20Vintage%20Football%20Helmet%20&_itemId=2>. (2 pages).*

Vintage 1980s Dallas Cowboys Football Helmet T-Shirt, downloaded from the Internet on Sep. 10, 2012. URL: <<http://www.defunkd.com/product/FA1341185822/vintage-1980s-dallas-cowboys-football-helmet-t-shirt>>. (1 page).*

Miami Dolphins Team Signed 35th Anniversary Undefeated 1972 Proline Helmet. Downloaded from the Internet on Sep. 10, 2012. URL: <http://www.fansedge.com/Miami-Dolphins-Team-Signed-35th-Anniversary-Undefeated-1972-Proline-Helmet-1619855609_PD.html>. (6 pages).*

* cited by examiner

Primary Examiner — Karen E Eldridge Powers
(74) *Attorney, Agent, or Firm* — QuickPatents; Kevin Prince

(57) **CLAIM**

I claim the ornamental design for a cap, as shown and described.

DESCRIPTION

FIG. 1 is a perspective view of a cap, showing a first embodiment of my new design;

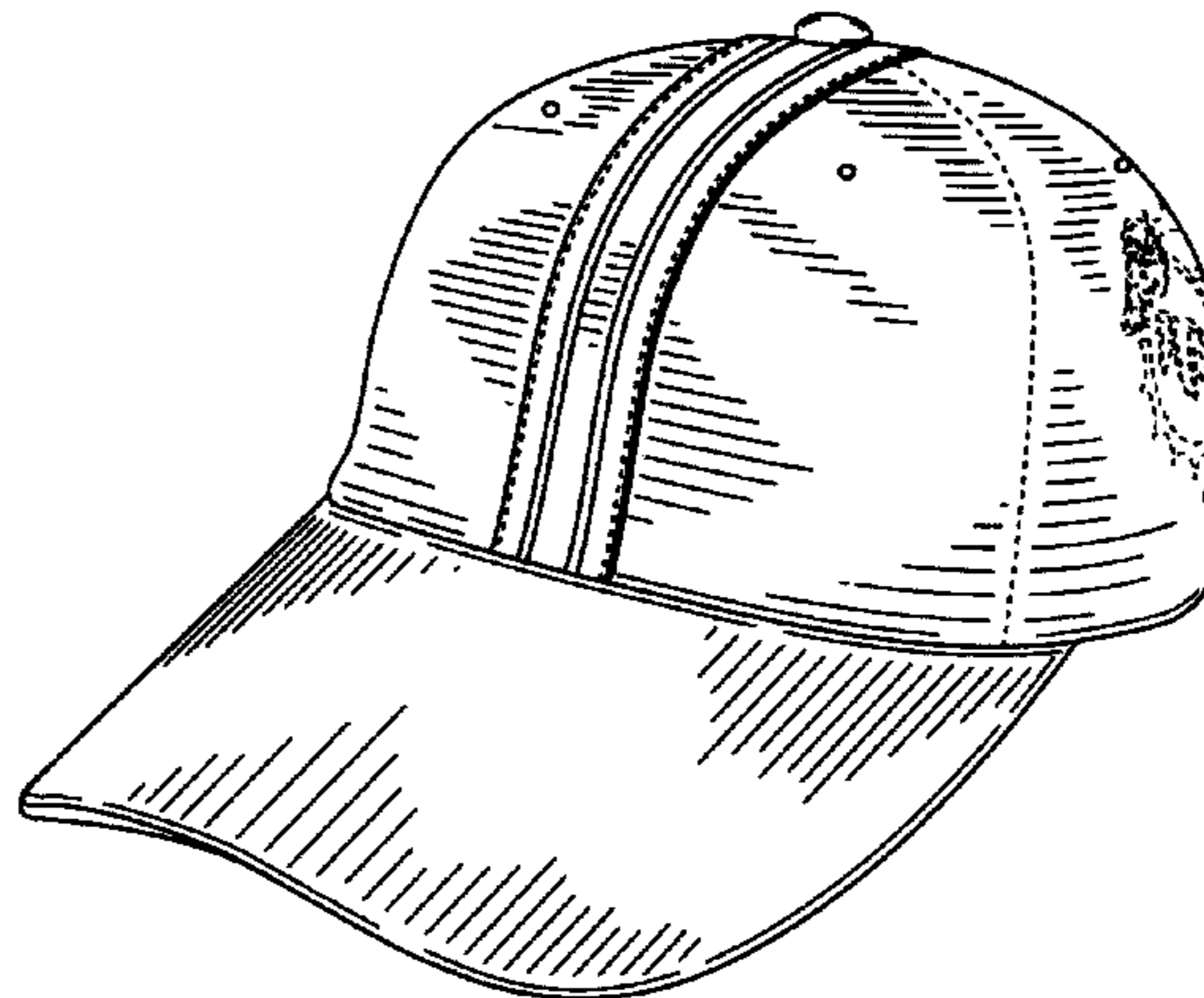
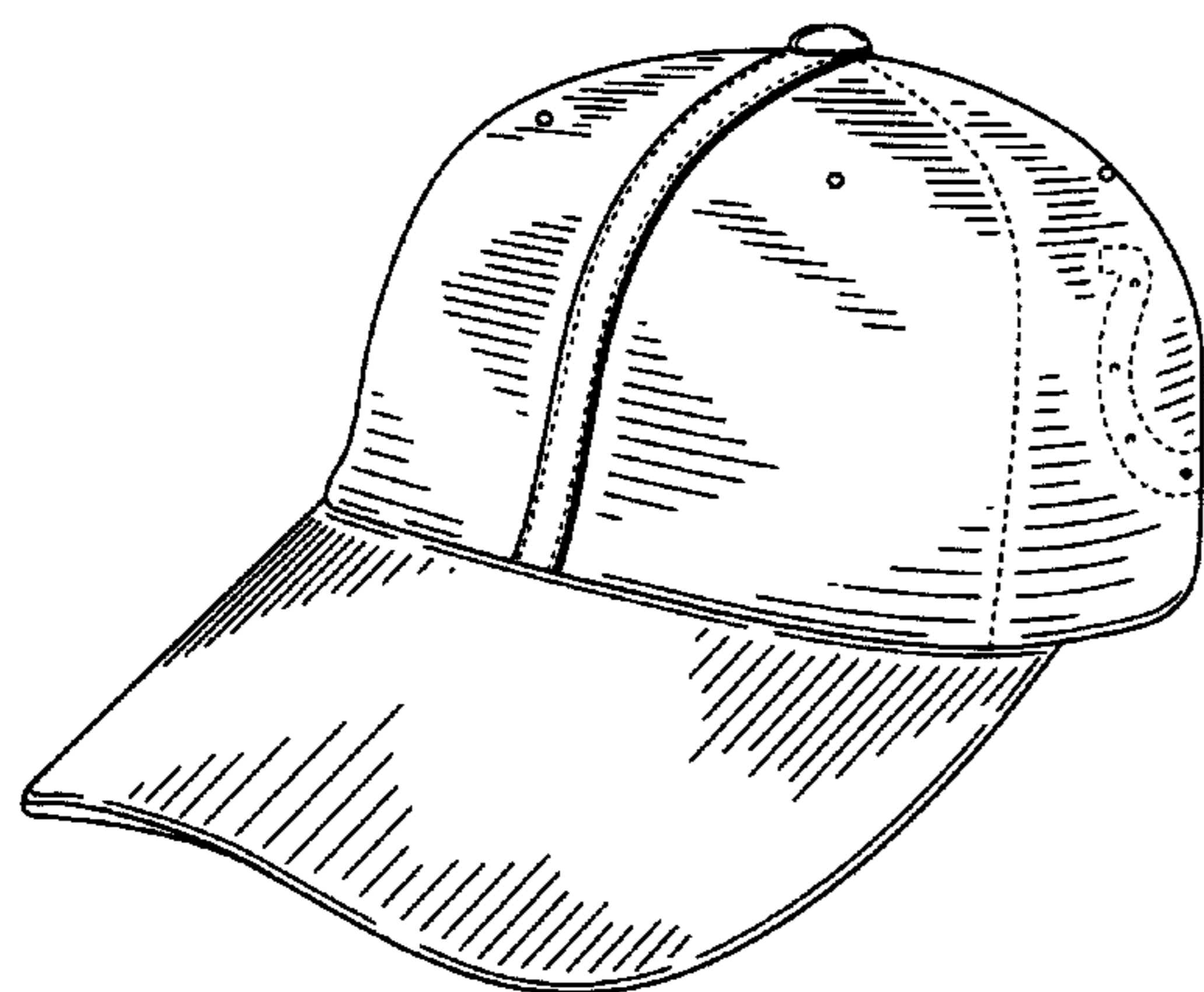


FIG. 2 is a front elevational view of the design as shown in FIG. 1;
FIG. 3 is a rear elevational view of the design as shown in FIG. 1;
FIG. 4 is a left-side elevational view of the design as shown in FIG. 1;
FIG. 5 is a right-side elevational view of the design as shown in FIG. 1;
FIG. 6 is a top plan view of the design as shown in FIG. 1;
FIG. 7 is a bottom plan view of the design as shown in FIG. 1;
FIG. 8 is a perspective view of a second embodiment of my design;
FIG. 9 is a front elevational view of the design as shown in FIG. 8;
FIG. 10 is a rear elevational view of the design as shown in FIG. 8;
FIG. 11 is a left-side elevation view of the design as shown in FIG. 8;
FIG. 12 is a right-side elevational view of the design as shown in FIG. 8;
FIG. 13 is a top plan view of the design as shown in FIG. 8;
FIG. 14 is a bottom plan view of the design as shown in FIG. 8;
FIG. 15 is a perspective view of a third embodiment of my design;
FIG. 16 is a front elevational view of the design as shown in FIG. 15;
FIG. 17 is a rear elevational view of the design as shown in FIG. 15;
FIG. 18 is a left-side elevational view of the design as shown in FIG. 15;
FIG. 19 is a right-side elevational view of the design as shown in FIG. 15;
FIG. 20 is a top plan view of the design as shown in FIG. 15;
FIG. 21 is a bottom plan view of the design as shown in FIG. 15;
FIG. 22 is a perspective view of a fourth embodiment of my design;
FIG. 23 is a front elevational view of the design as shown in FIG. 22;
FIG. 24 is a rear elevational view of the design as shown in FIG. 22;

FIG. 25 is a left-side elevational view of the design as shown in FIG. 22;
FIG. 26 is a right-side elevational view of the design as shown in FIG. 22;
FIG. 27 is a top plan view of the design as shown in FIG. 22;
FIG. 28 is a bottom plan view of the design as shown in FIG. 22;
FIG. 29 is a perspective view of a fifth embodiment of my design;
FIG. 30 is a front elevational view of the design as shown in FIG. 29;
FIG. 31 is a rear elevational view of the design as shown in FIG. 29;
FIG. 32 is a left-side elevational view of the design as shown in FIG. 29;
FIG. 33 is a right-side elevational view of the design as shown in FIG. 29;
FIG. 34 is a top plan view of the design as shown in FIG. 29;
FIG. 35 is a bottom plan view of the design as shown in FIG. 29;
FIG. 36 is a perspective view of a sixth embodiment of my design;
FIG. 37 is a front elevation view of the design as shown in FIG. 36;
FIG. 38 is a rear elevation view of the design as shown in FIG. 36;
FIG. 39 is a left-side elevational view of the design as shown in FIG. 36;
FIG. 40 is a right-side elevational view of the design as shown in FIG. 36;
FIG. 41 is a top plan view of the design as shown in FIG. 36;
and,
FIG. 42 is a bottom plan view of the design as shown in FIG. 36.
The broken lines showing team logos, player numbers and team names in the figures depict unclaimed features of the article in which the design is embodied. The remaining broken lines represent stitching, and are part of the claimed design.

1 Claim, 30 Drawing Sheets



FIG. 1

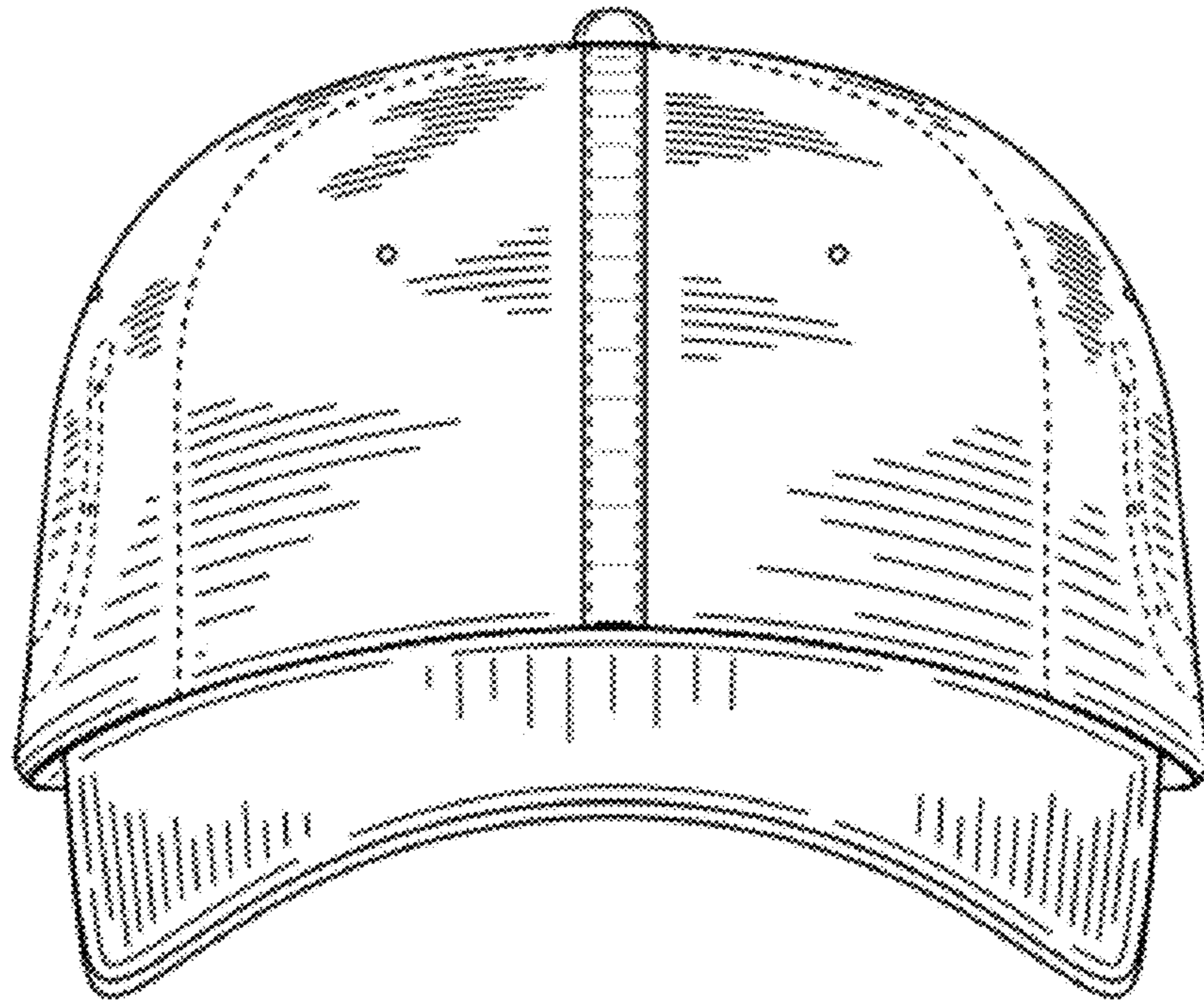


FIG. 2

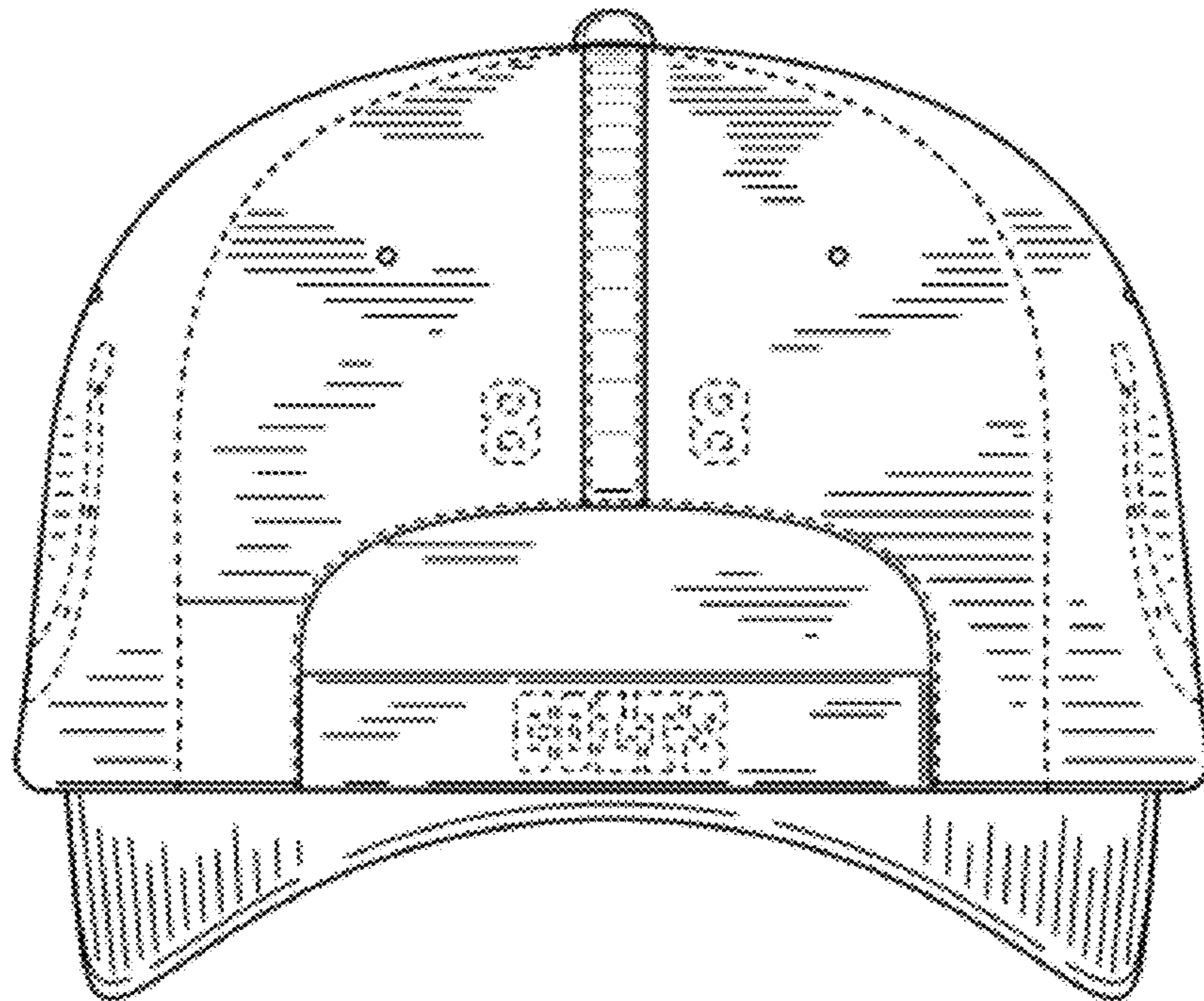


FIG. 3

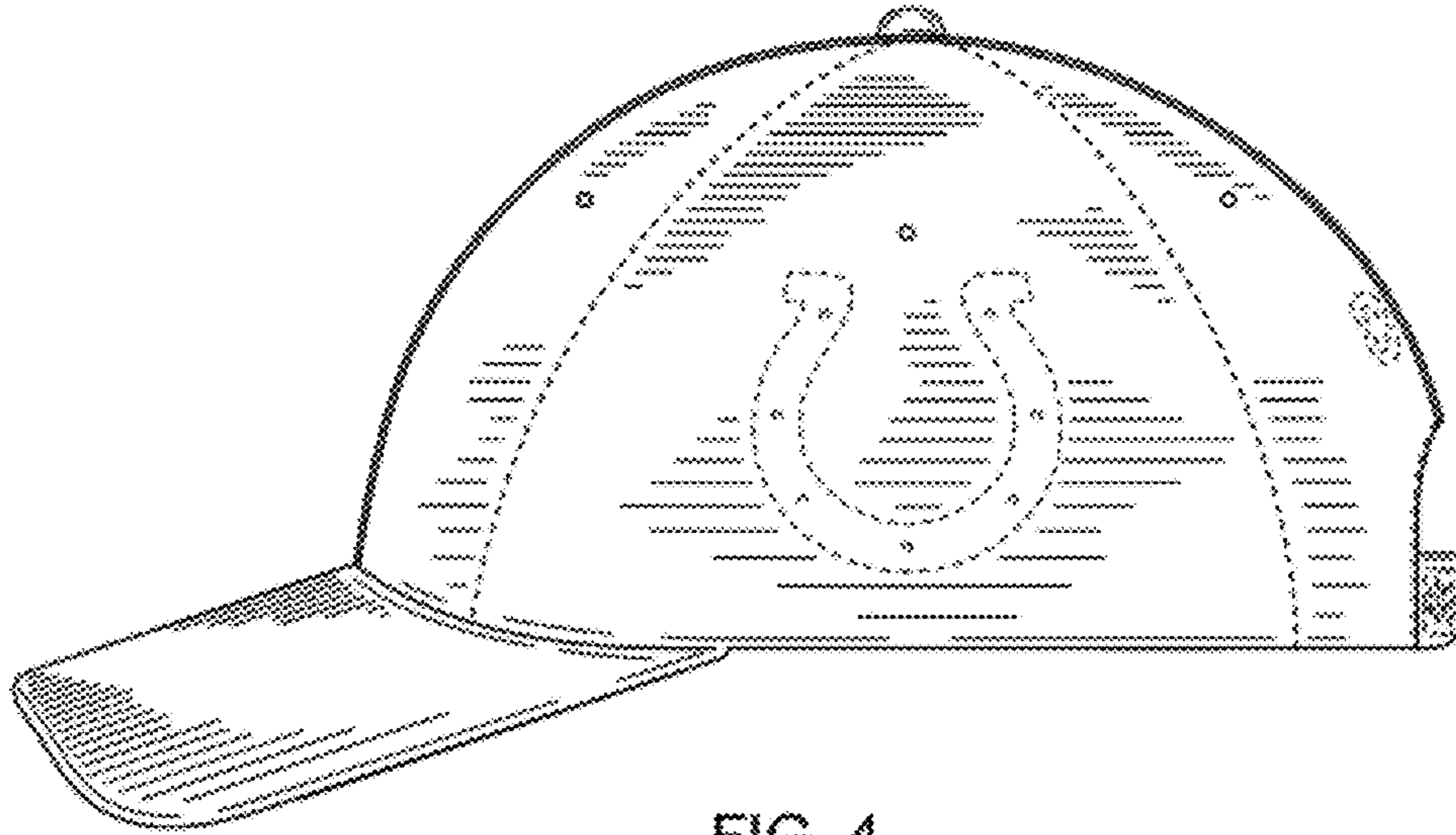


FIG. 4

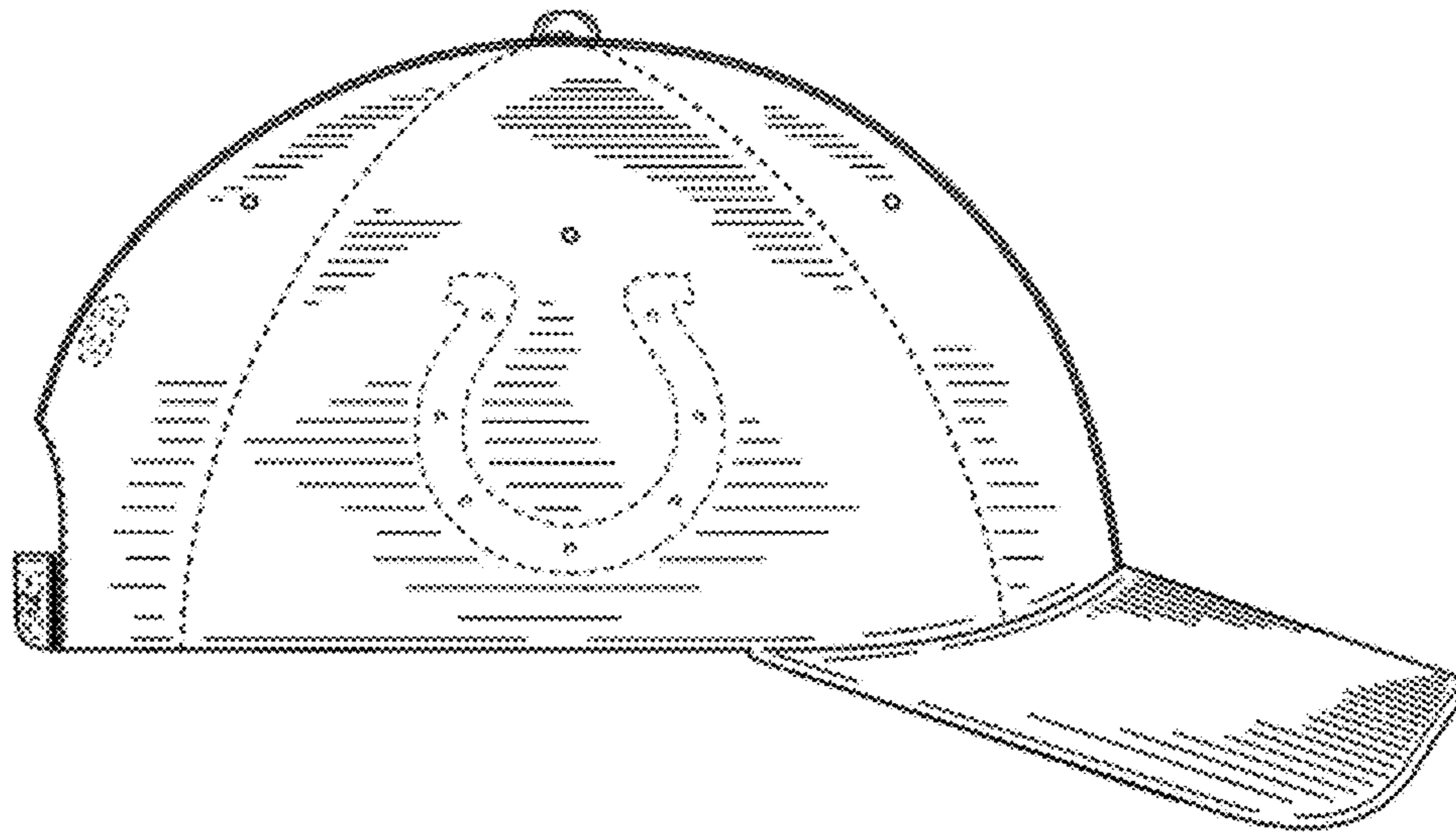


FIG. 5

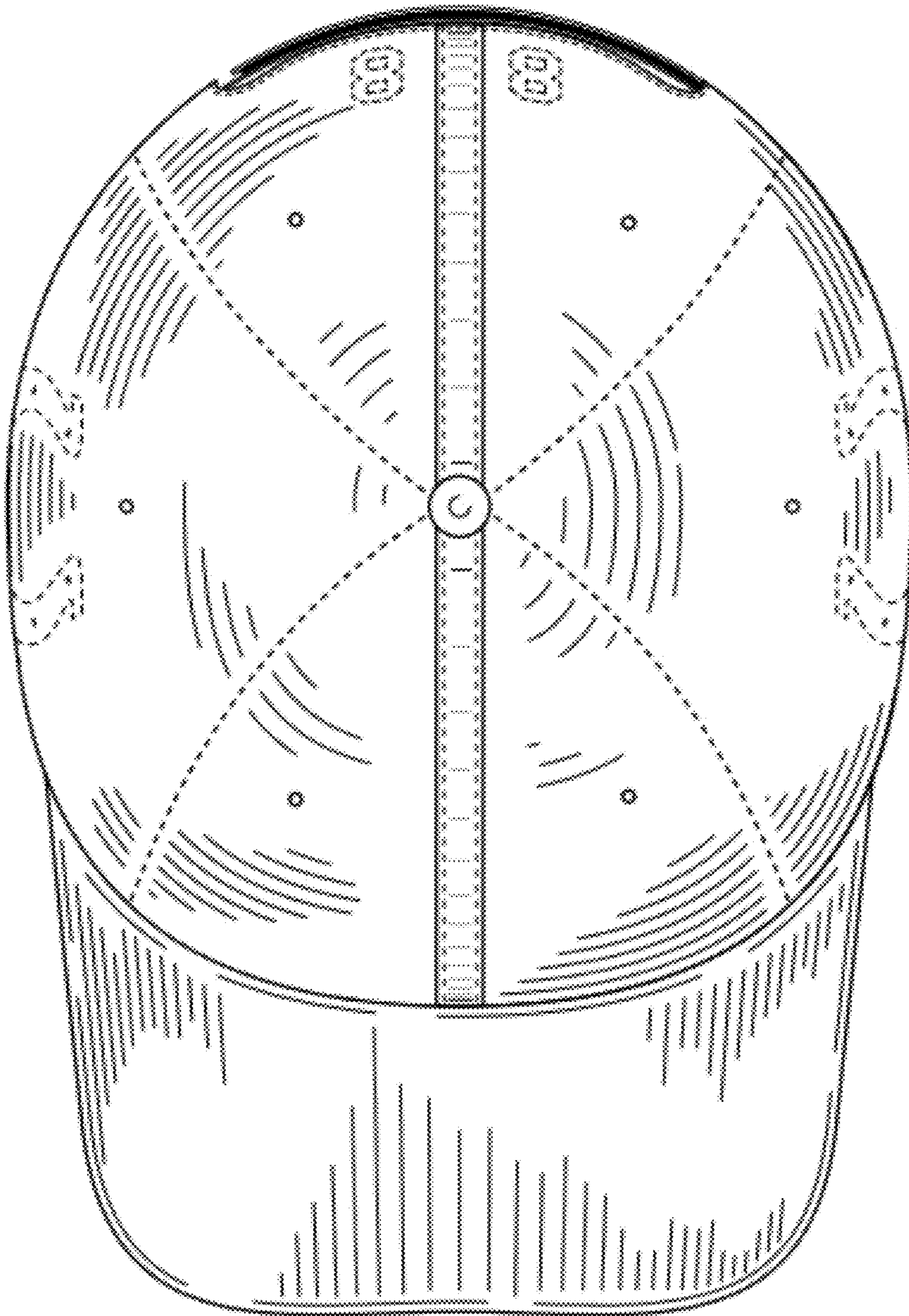


FIG. 6

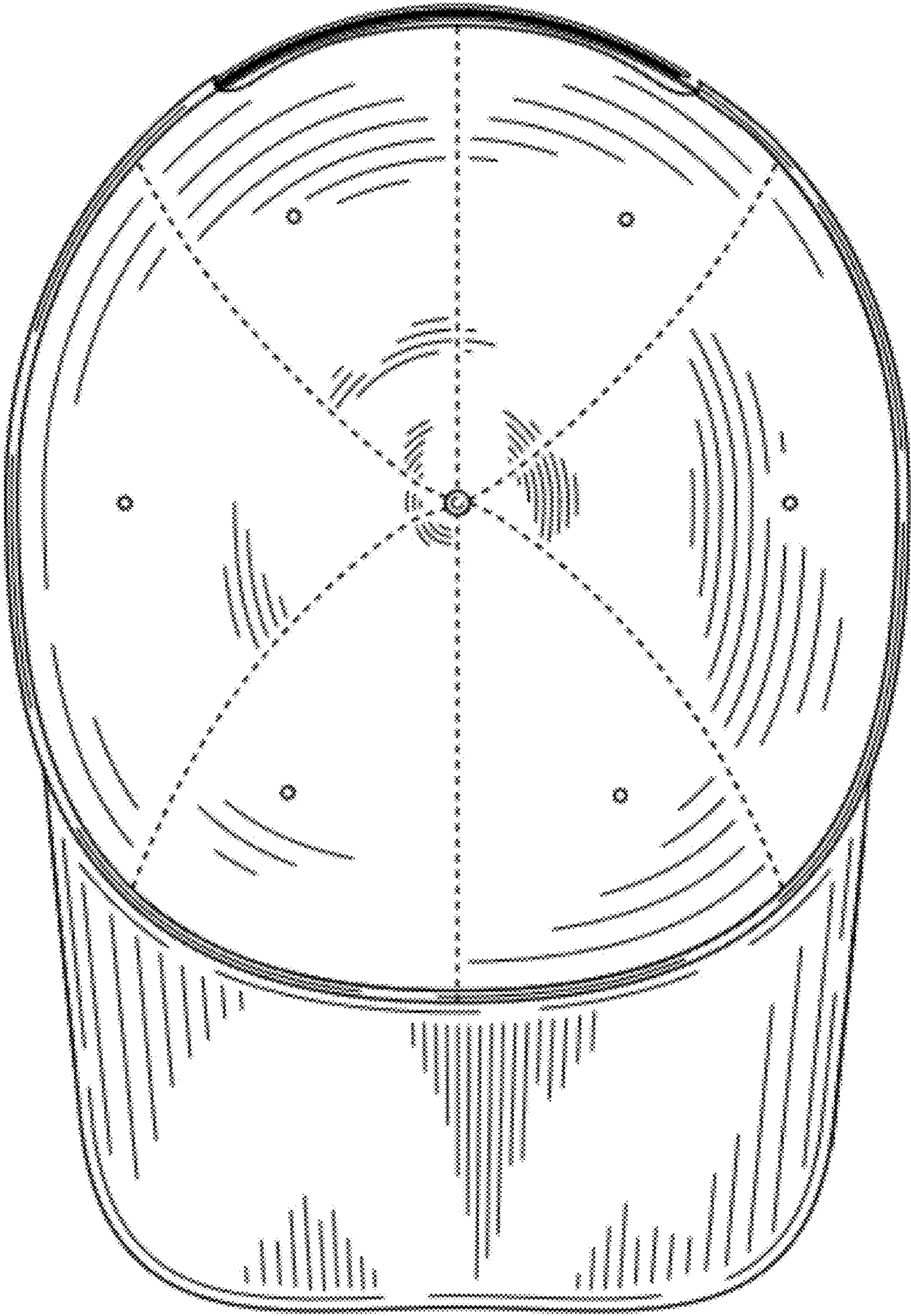


FIG. 7



FIG. 8

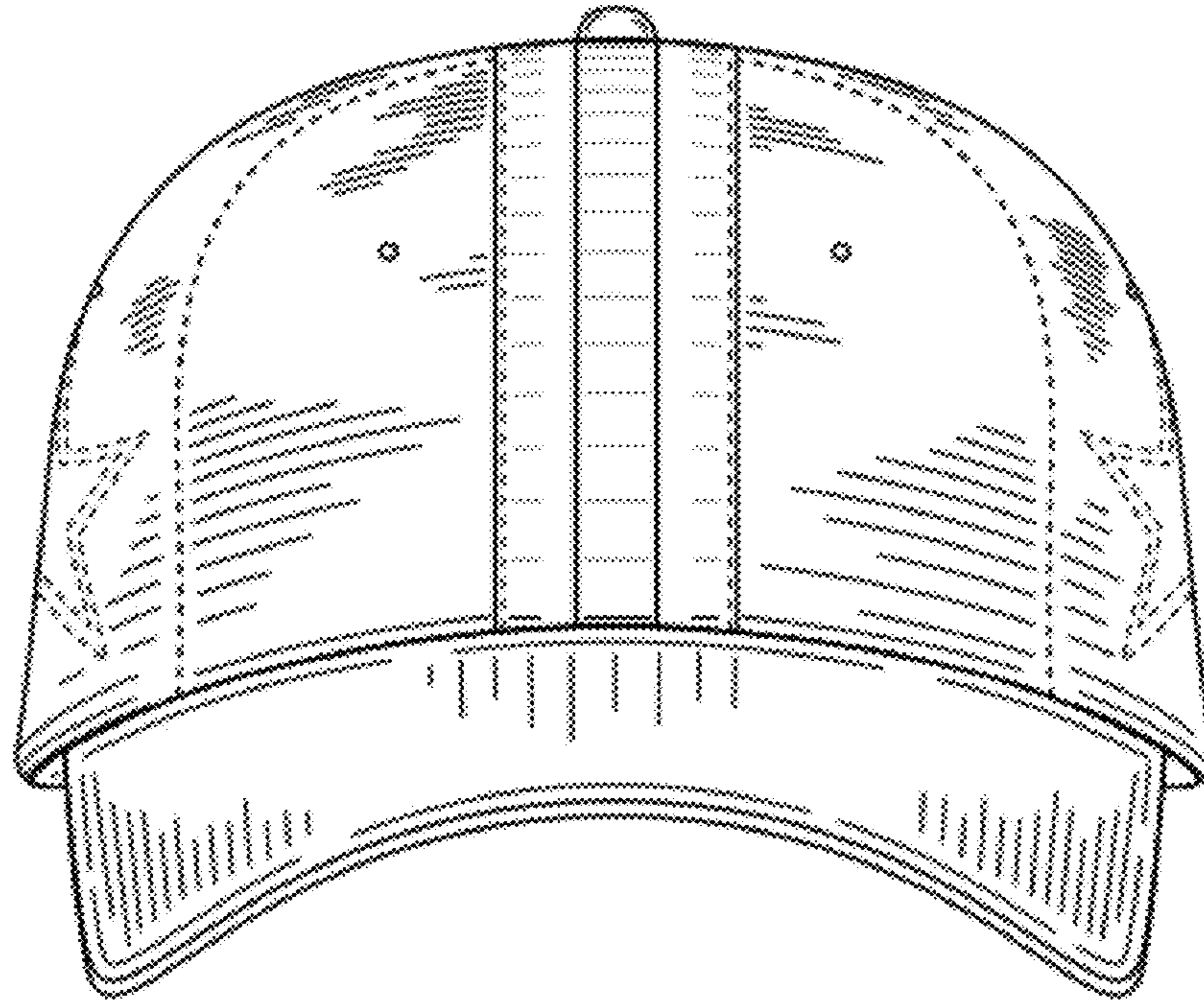


FIG. 9

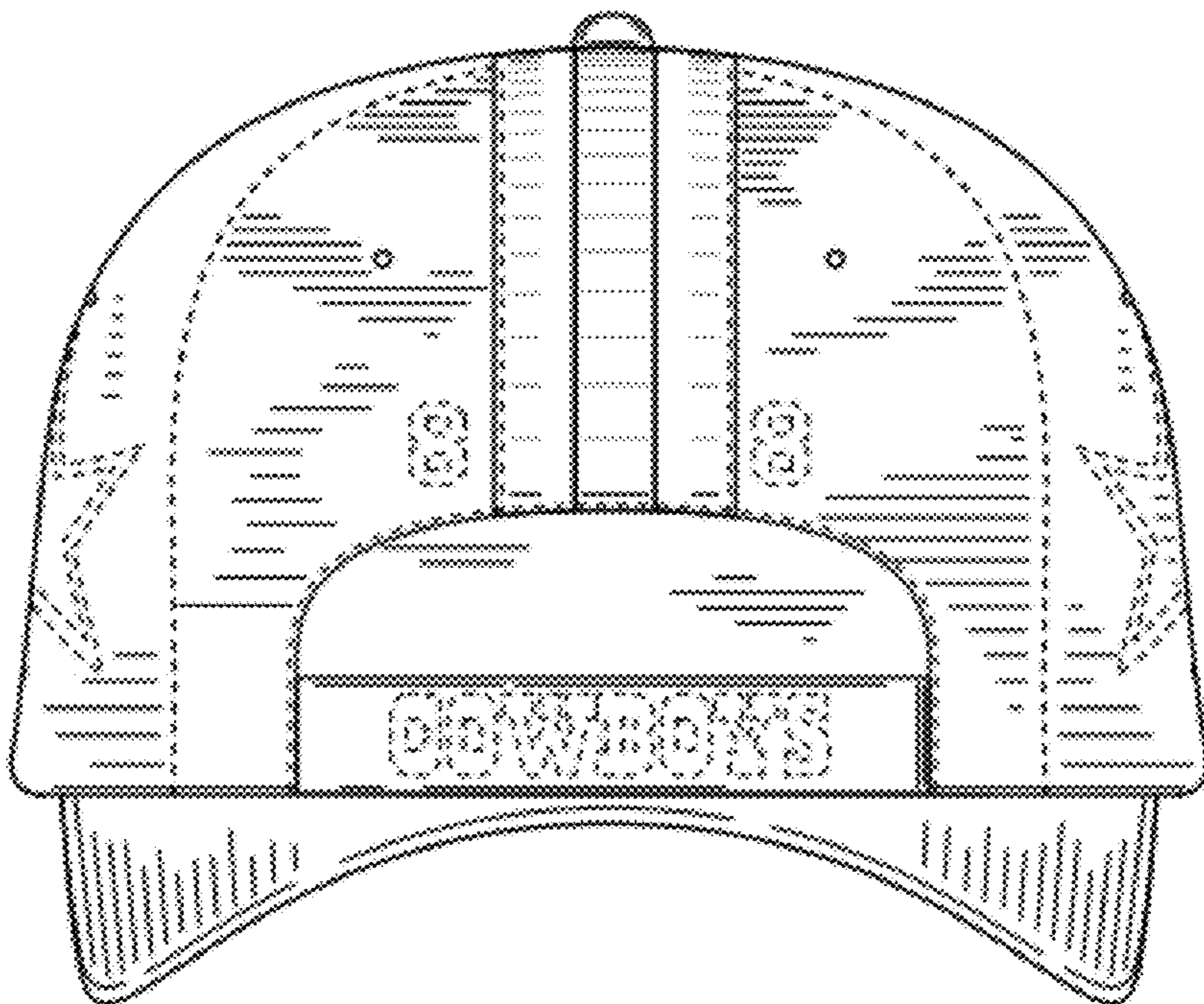


FIG. 10

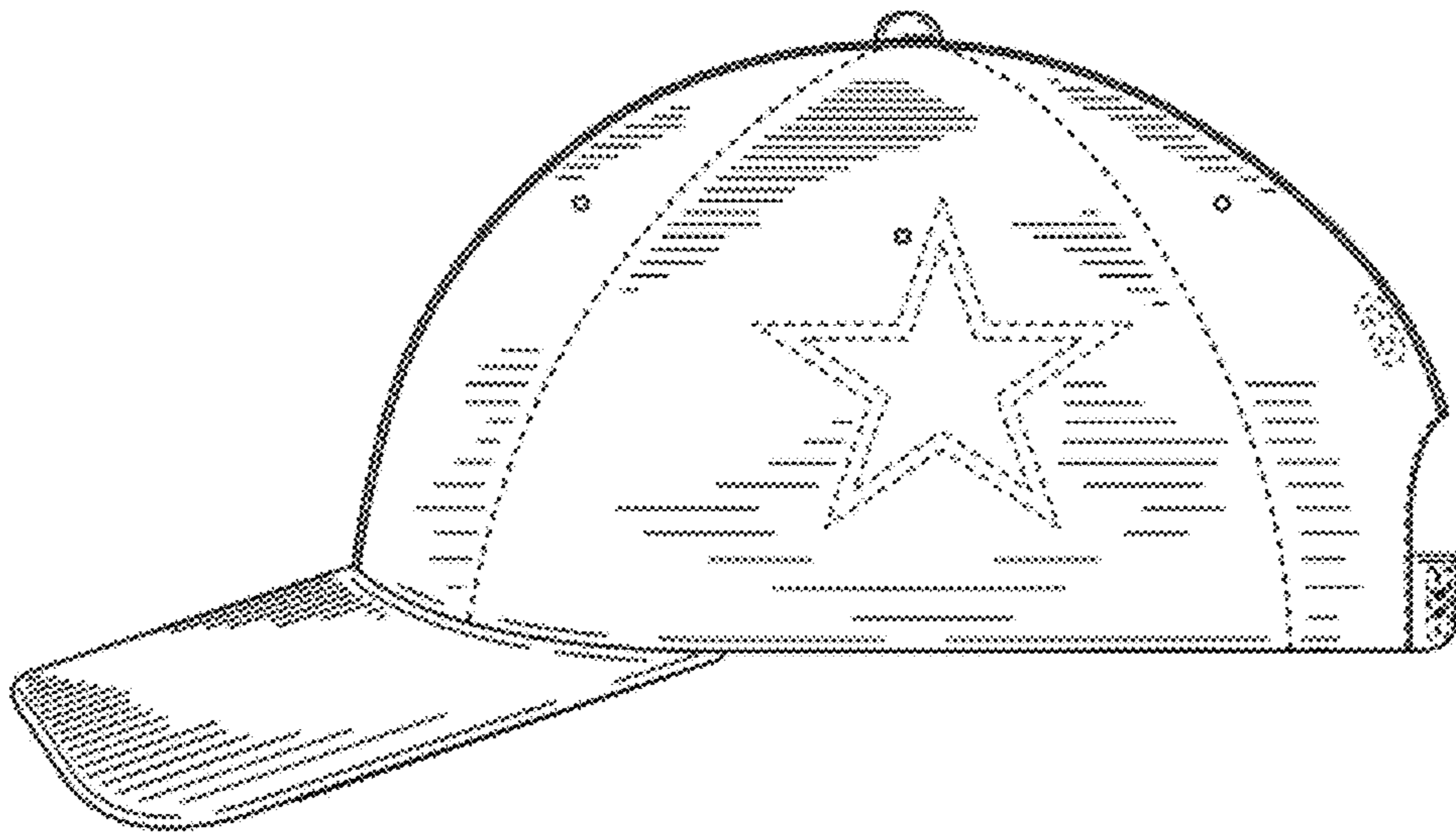


FIG. 11

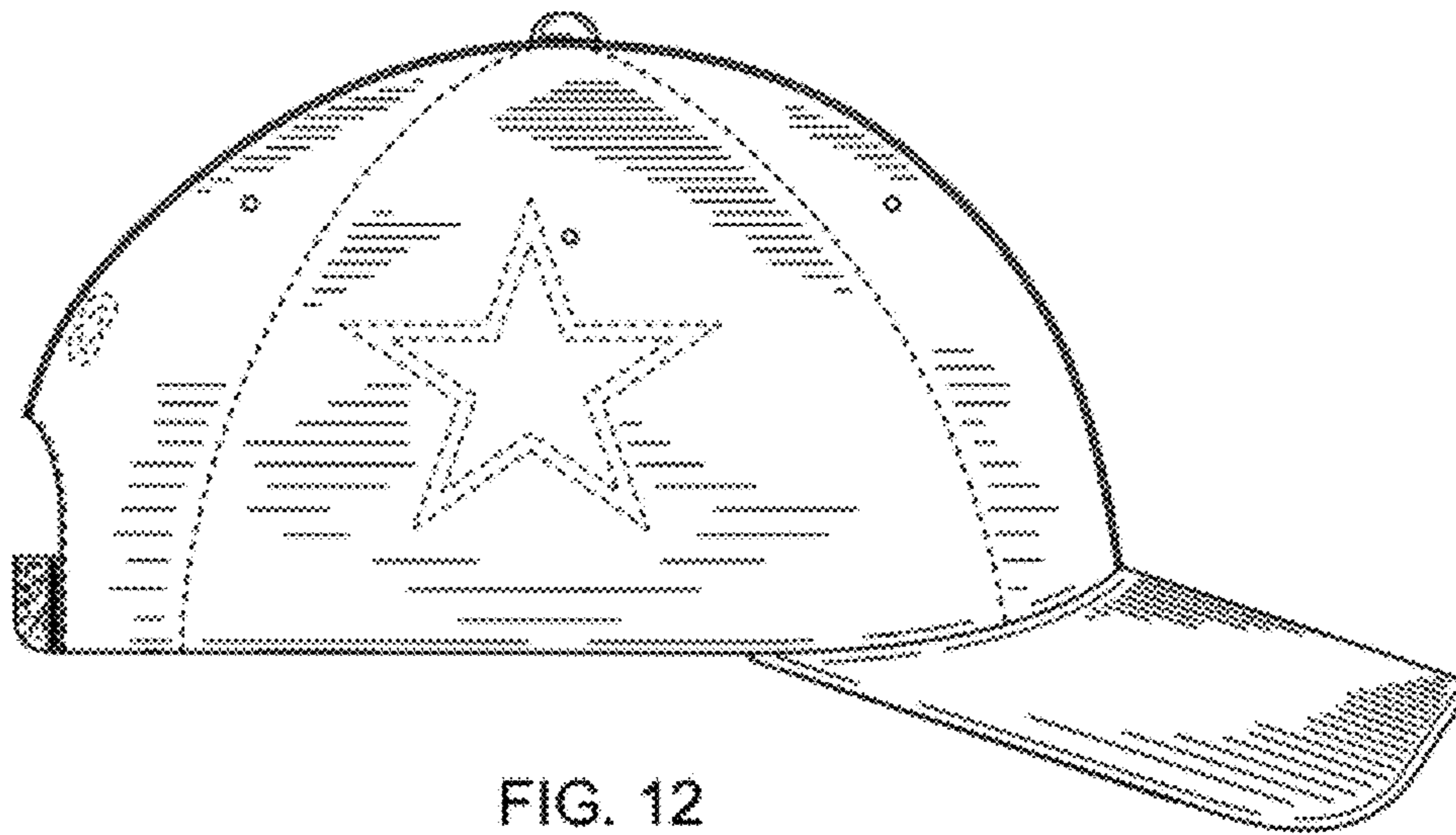


FIG. 12

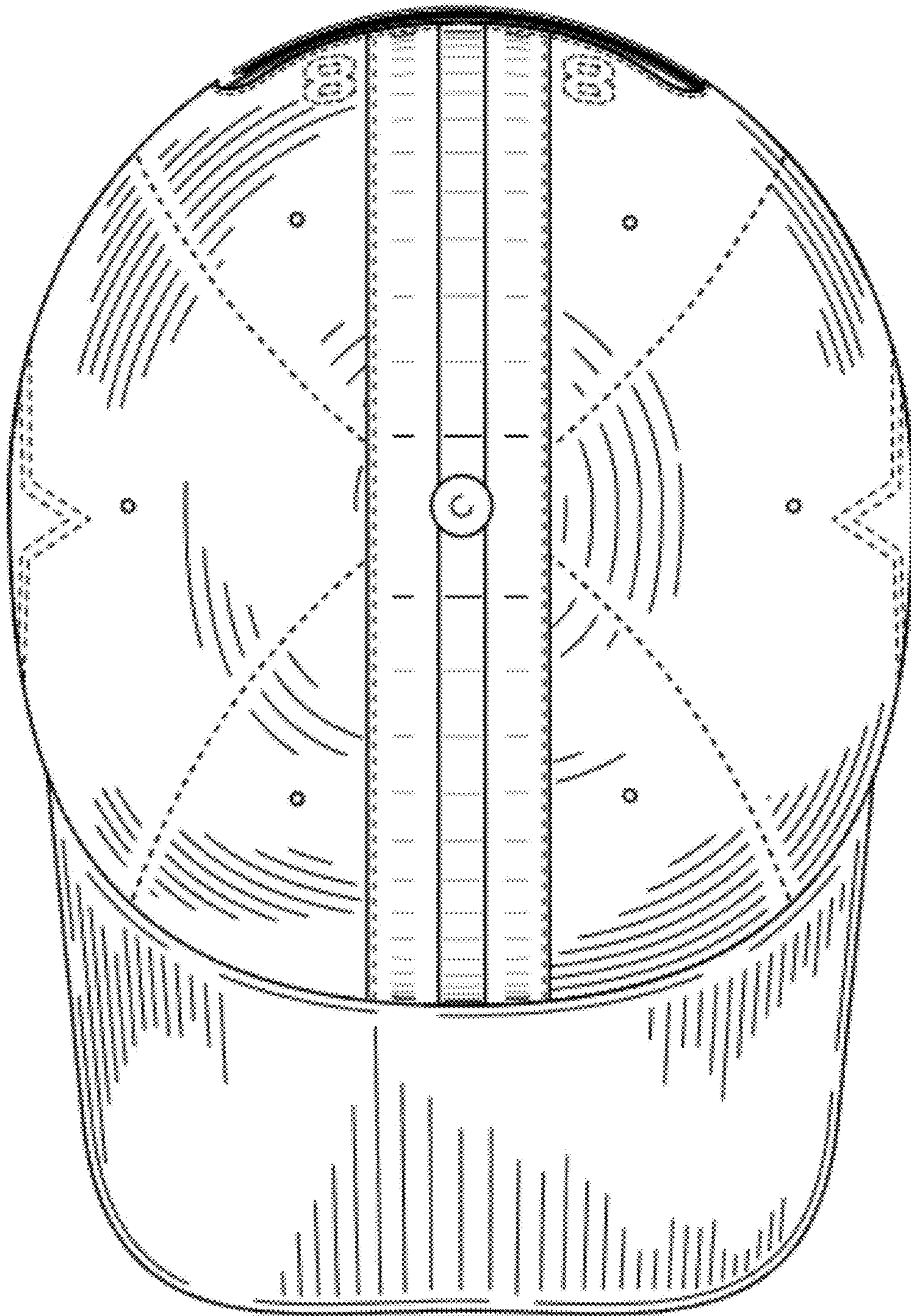


FIG. 13

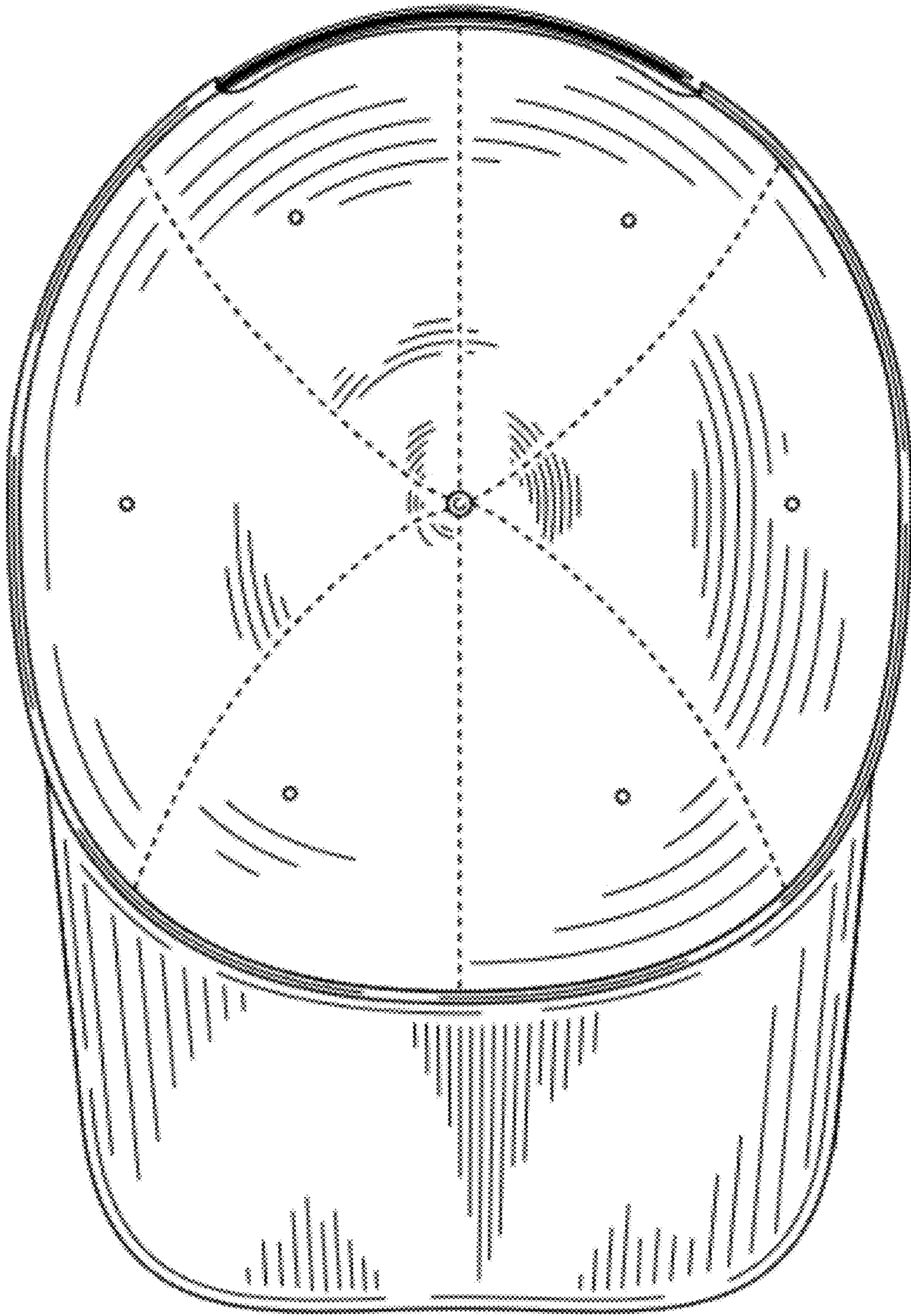


FIG. 14



FIG. 15

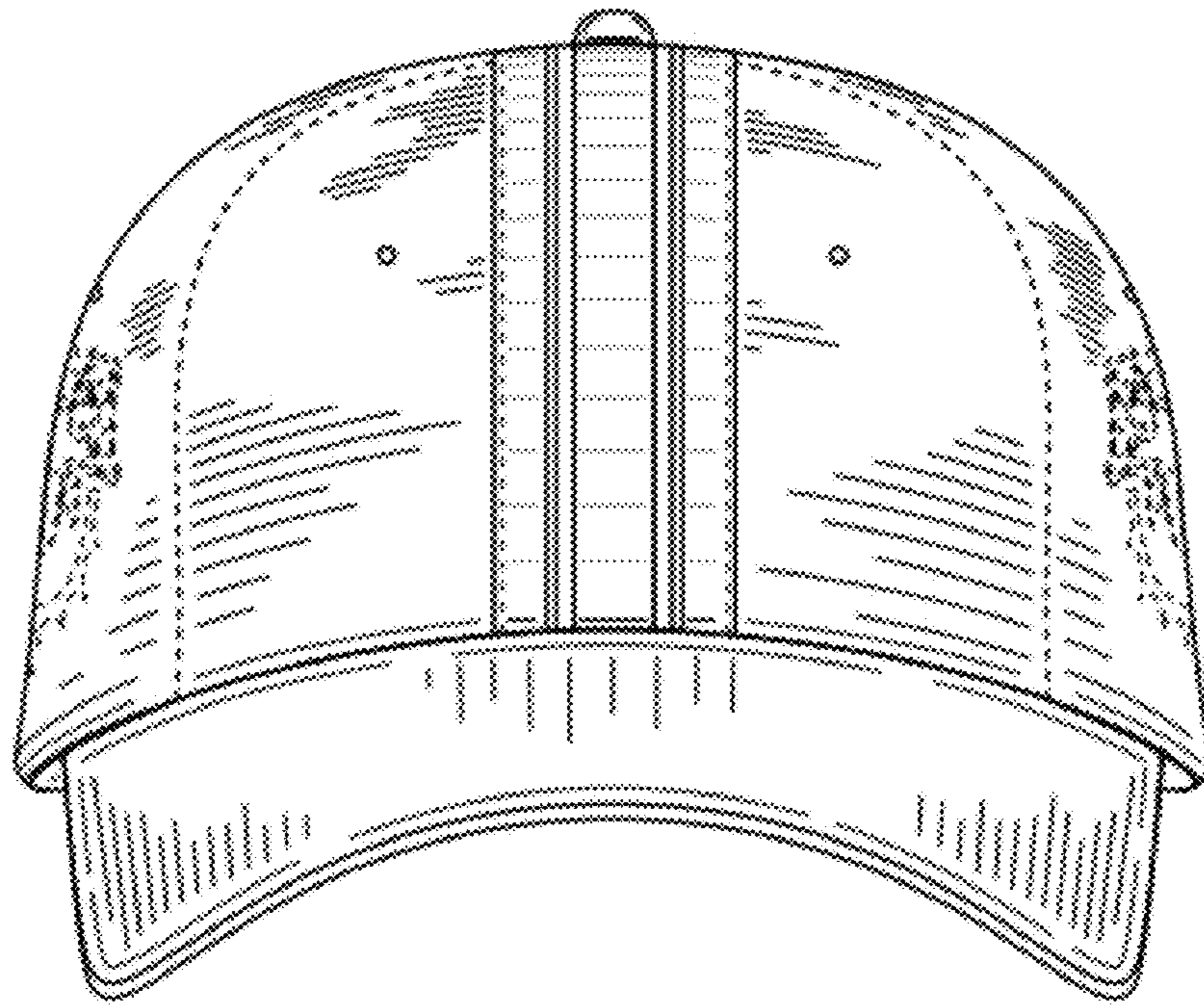


FIG. 16

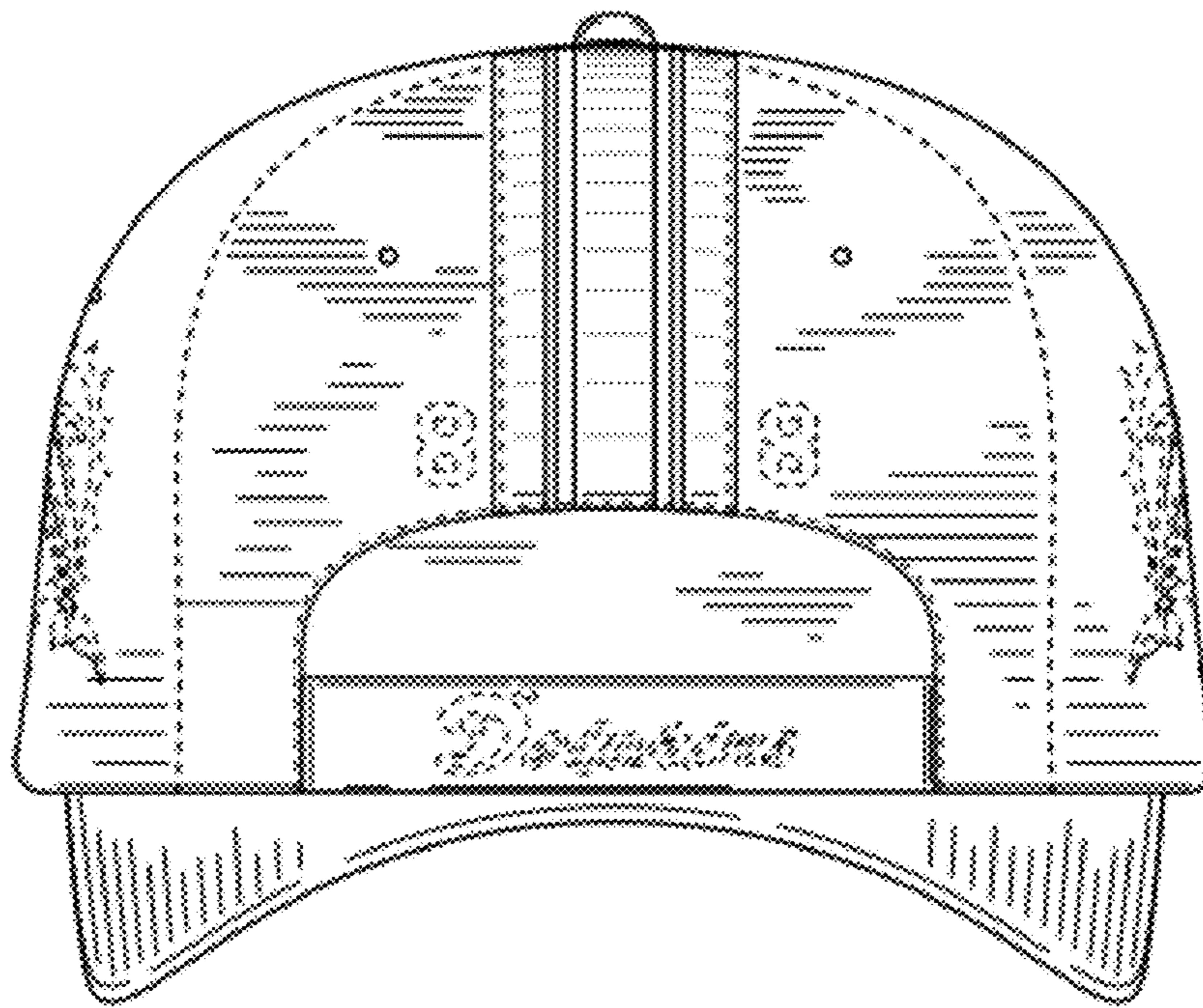


FIG. 17

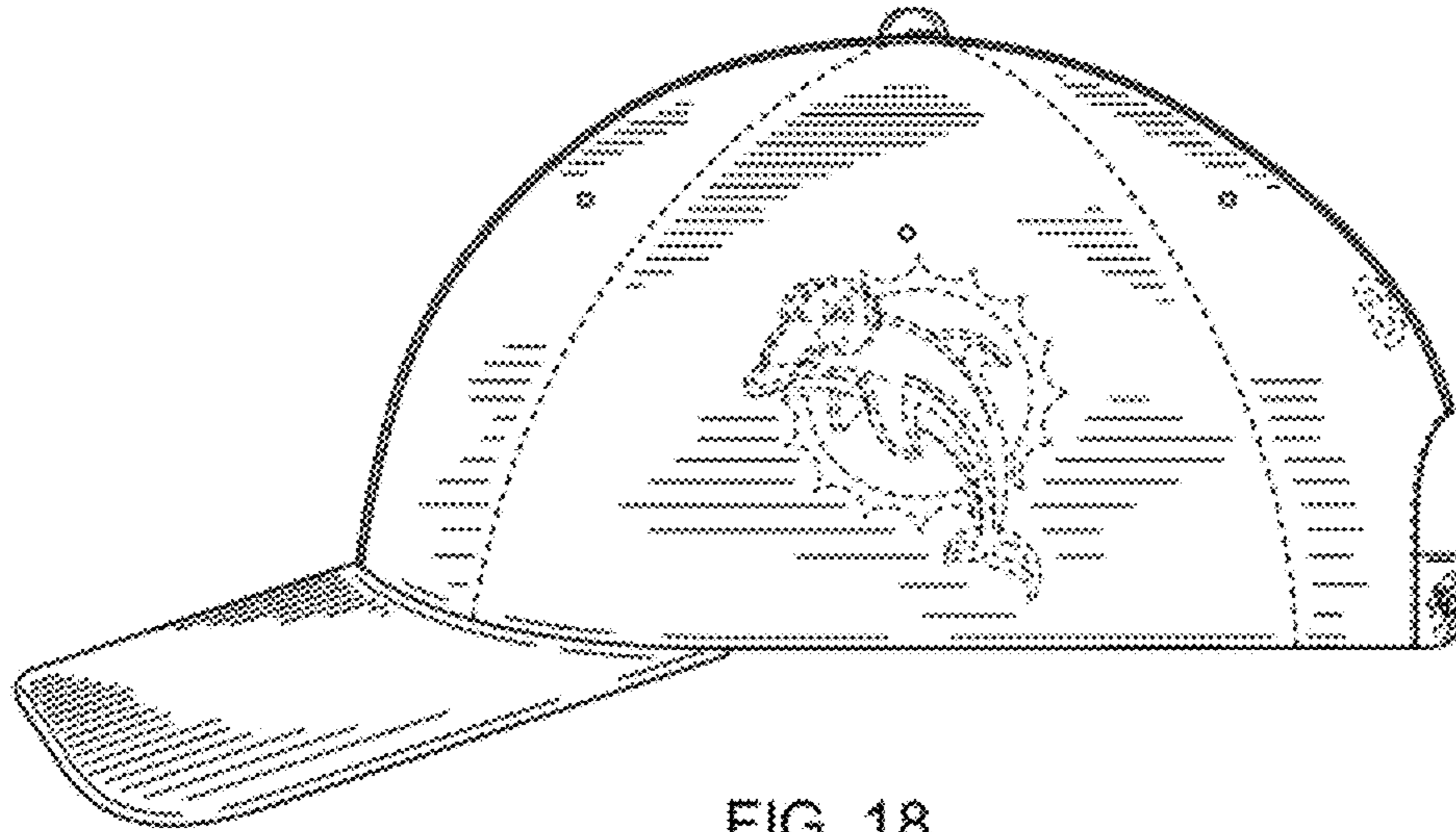


FIG. 18

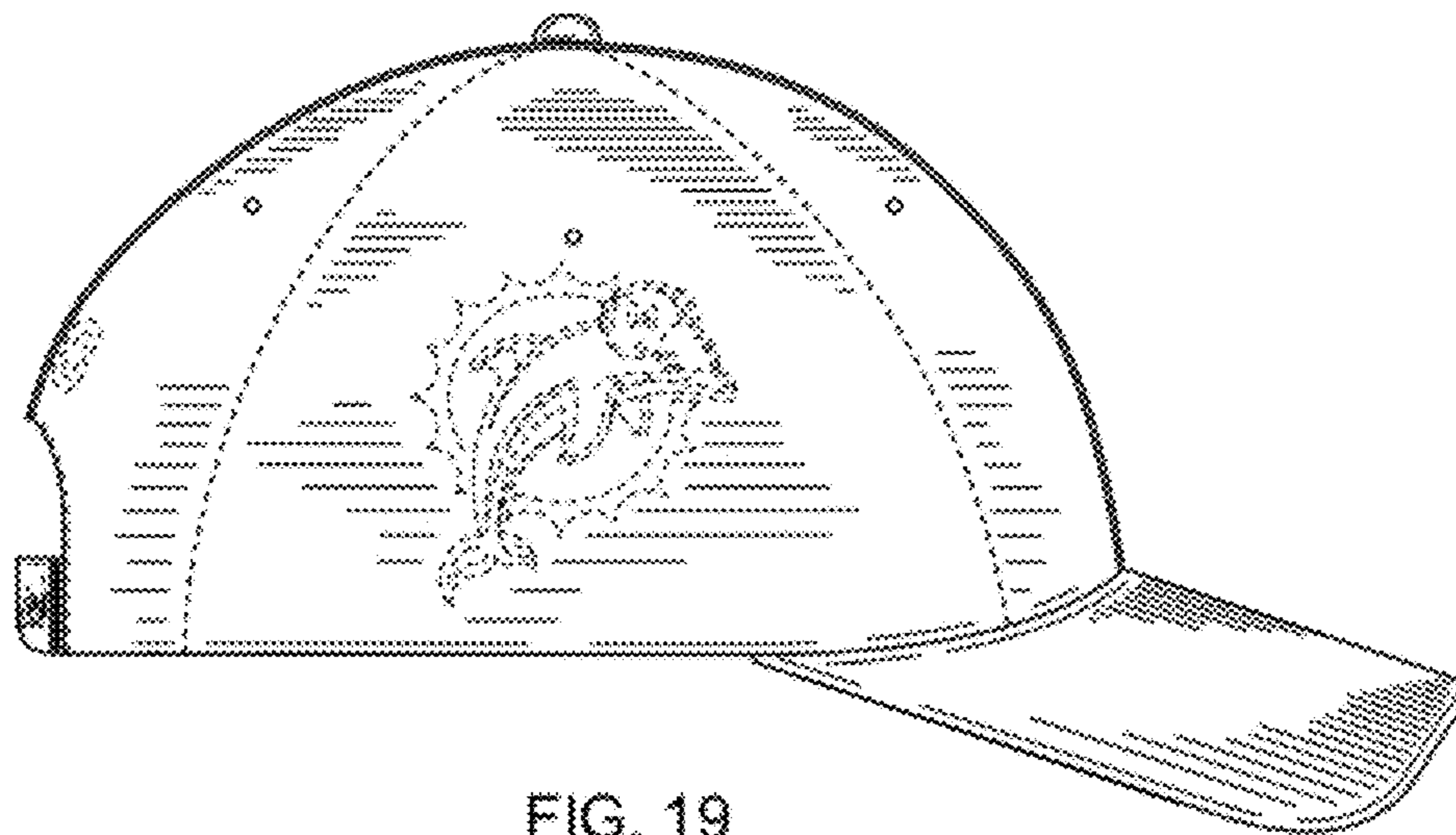


FIG. 19

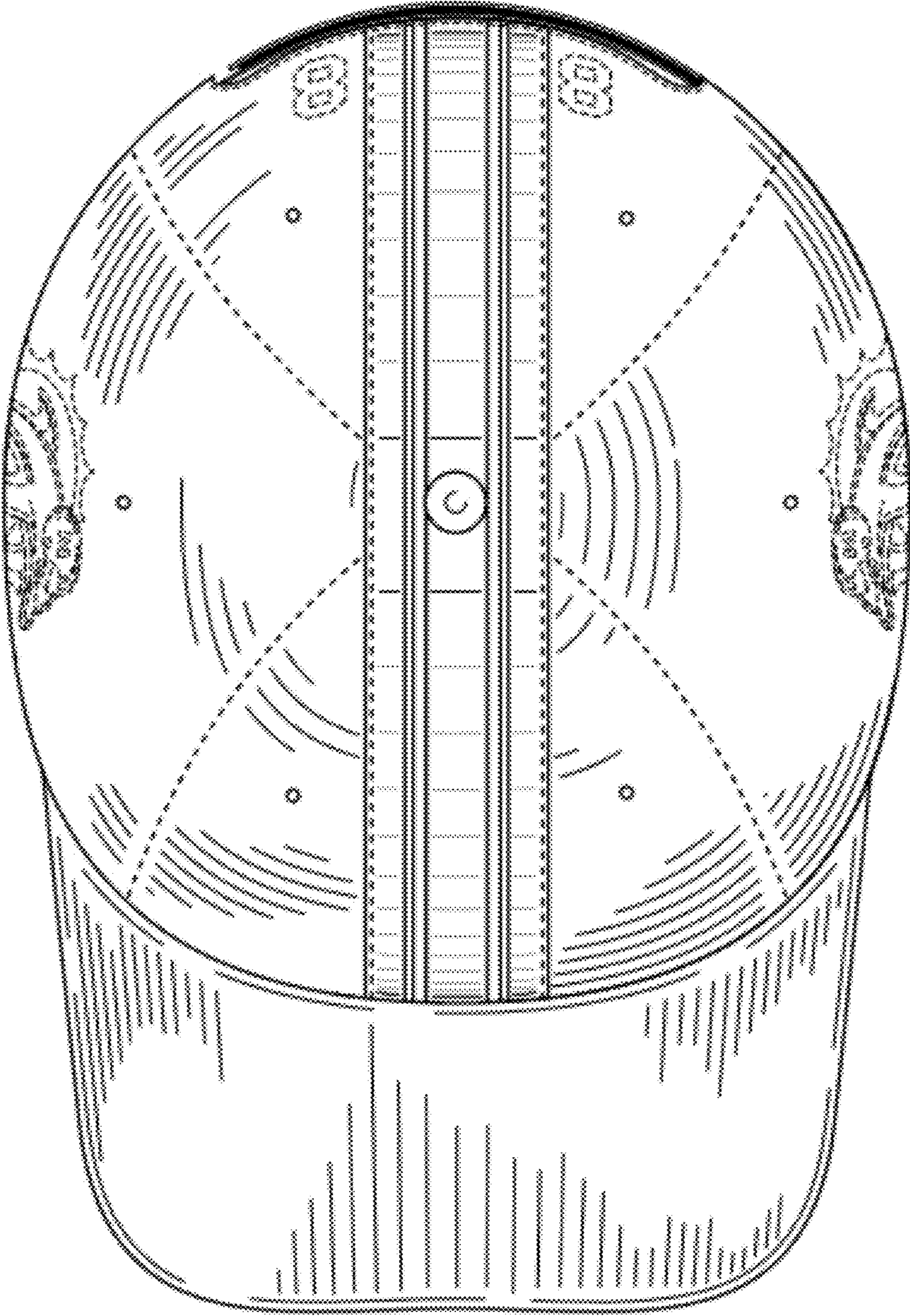


FIG. 20

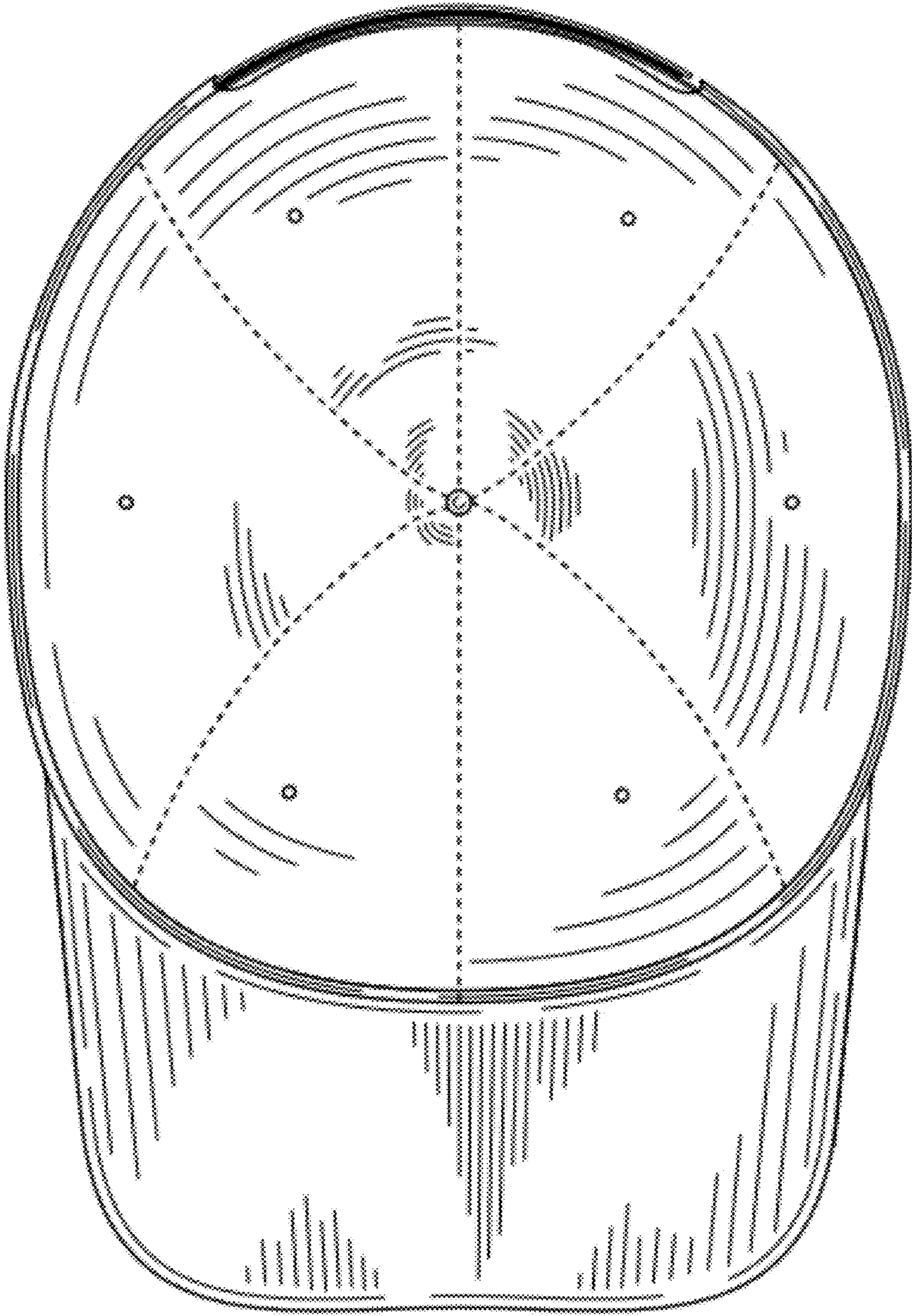


FIG. 21



FIG. 22

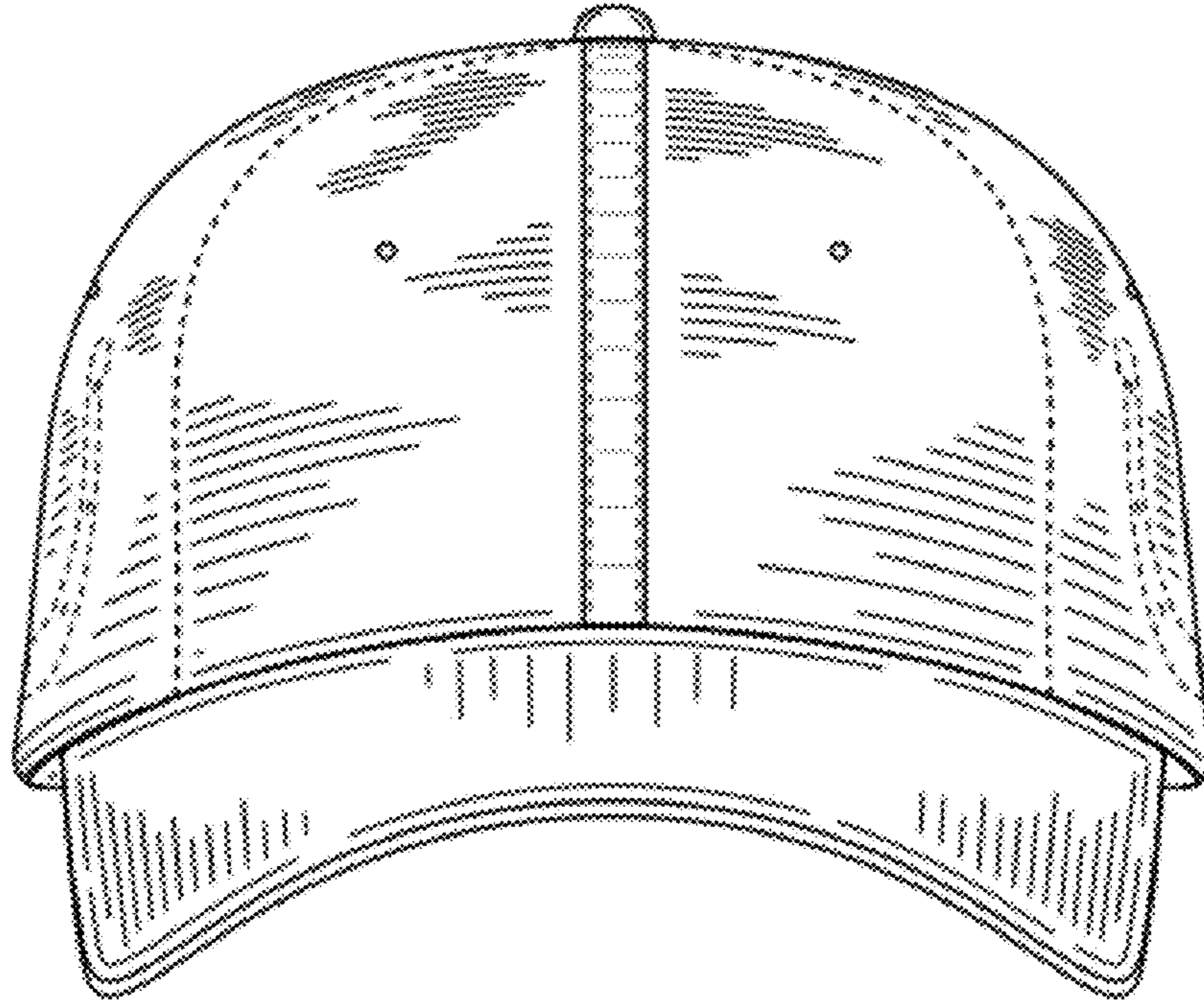


FIG. 23

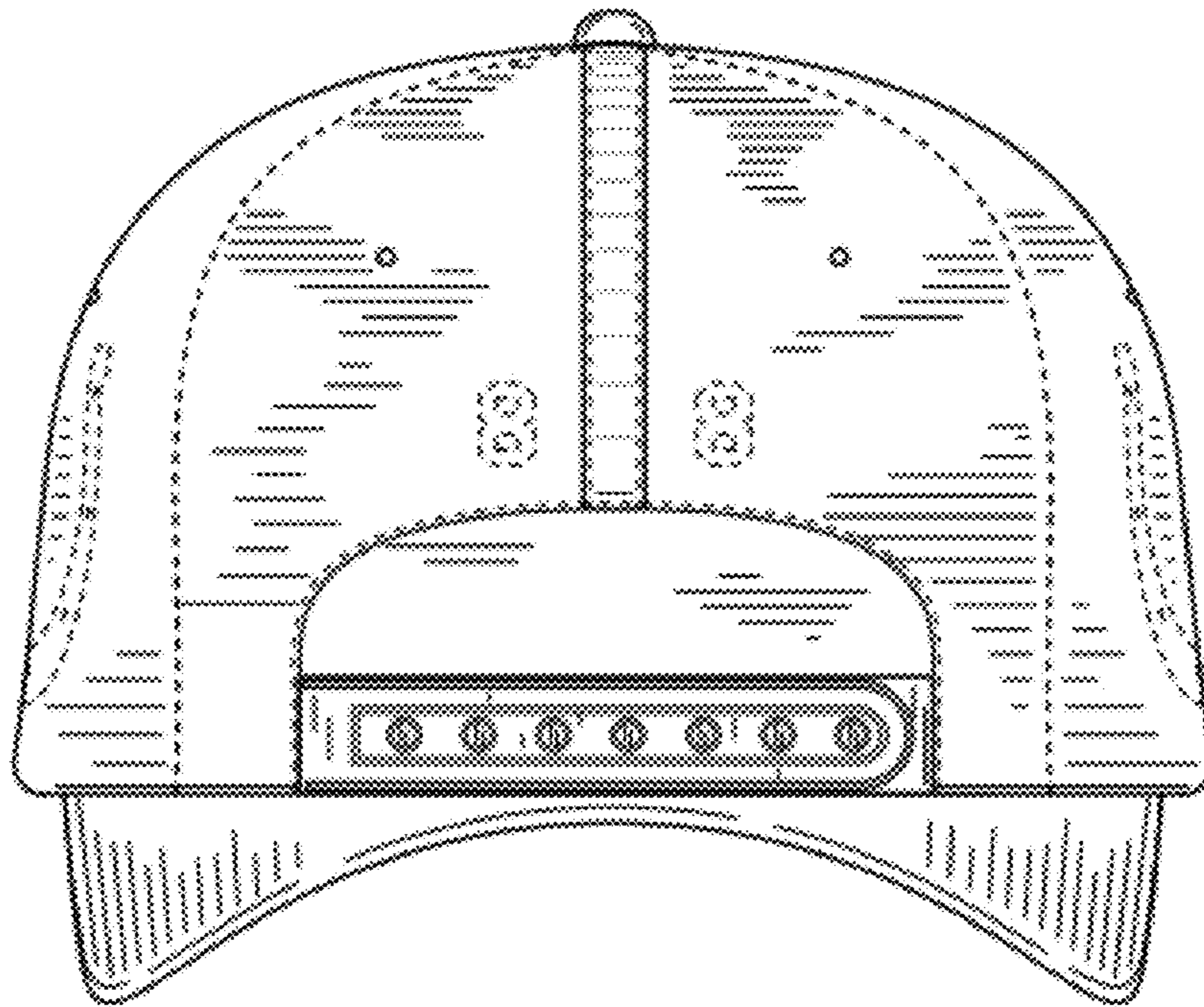


FIG. 24

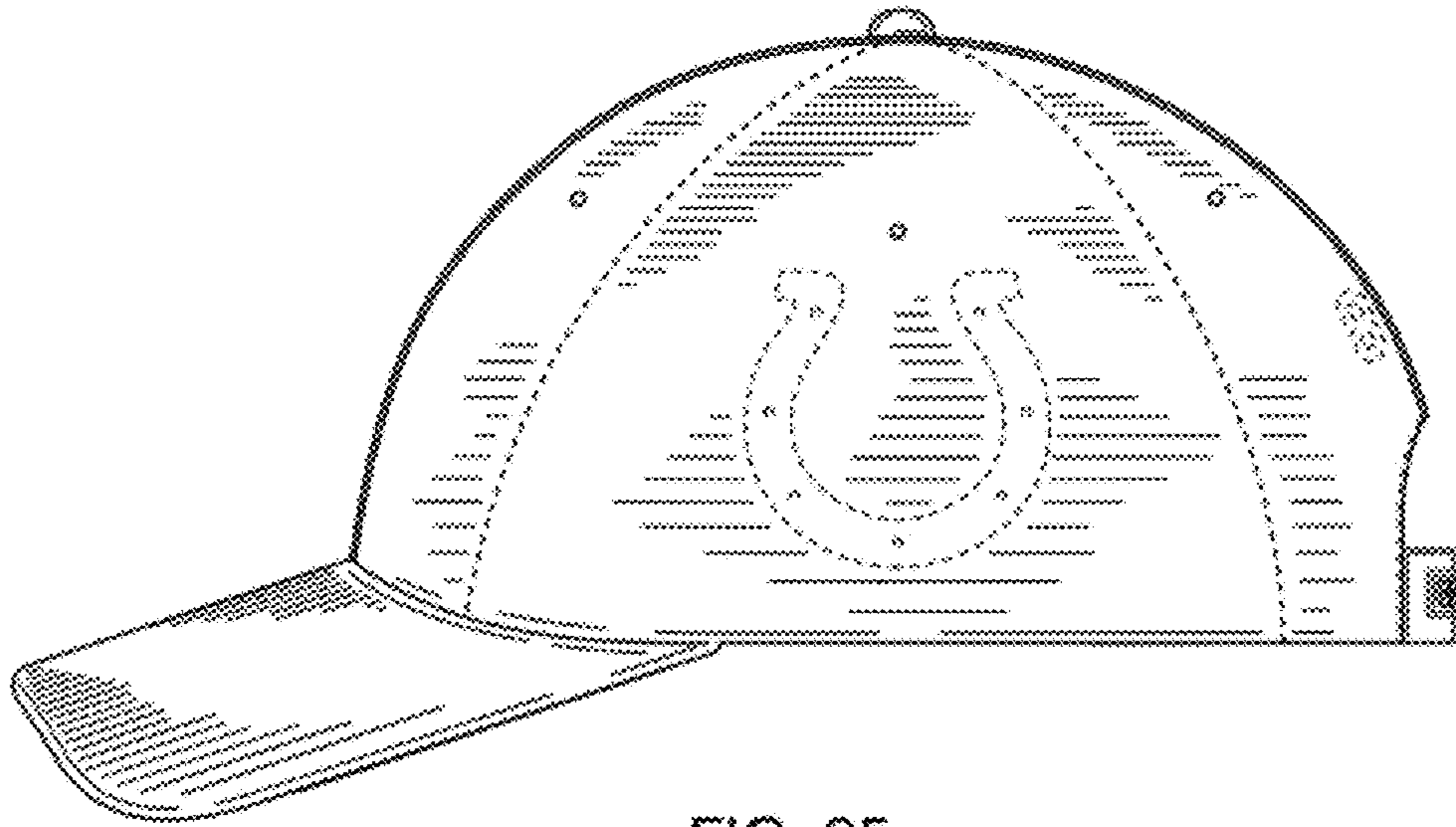


FIG. 25

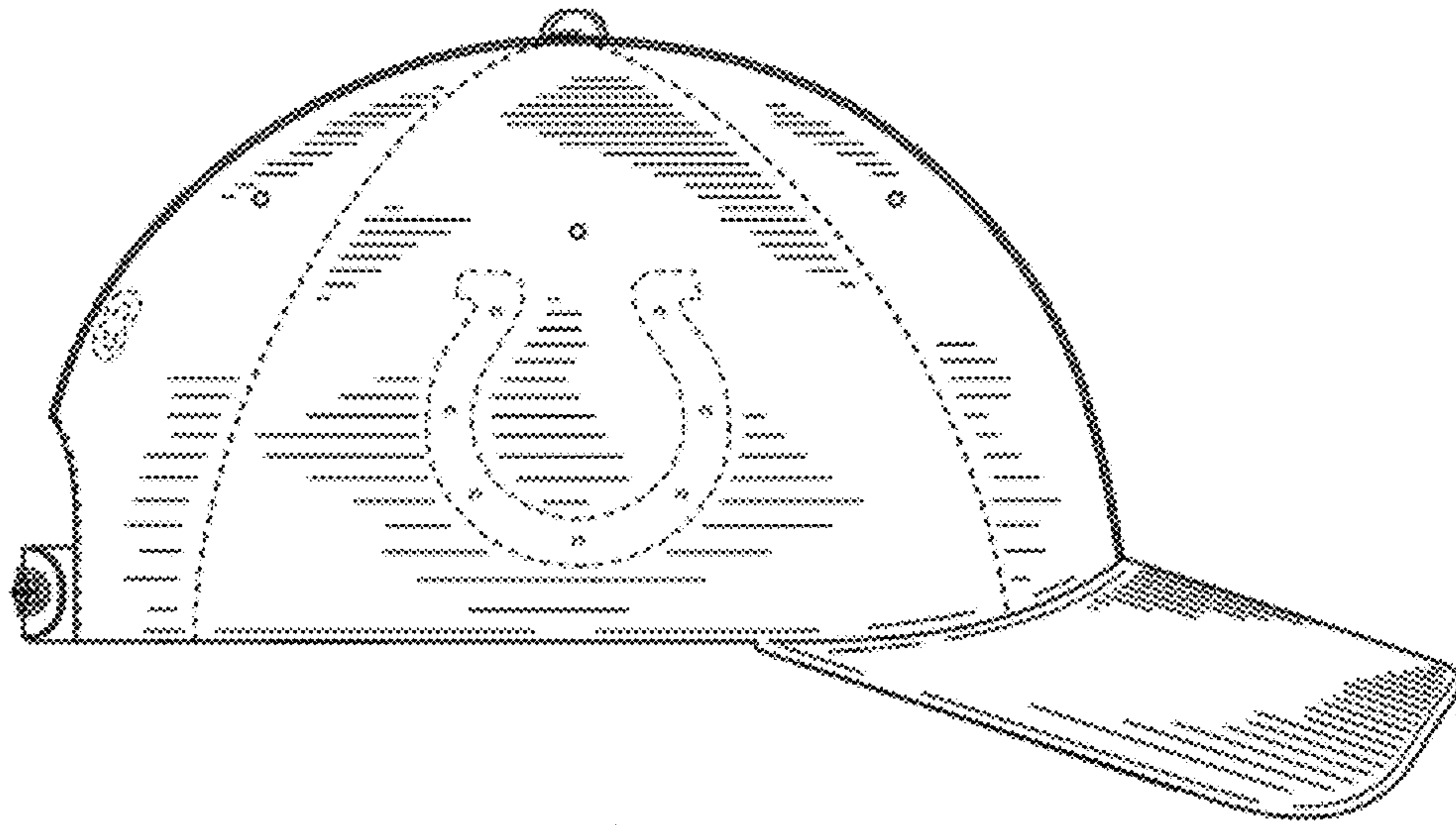


FIG. 26

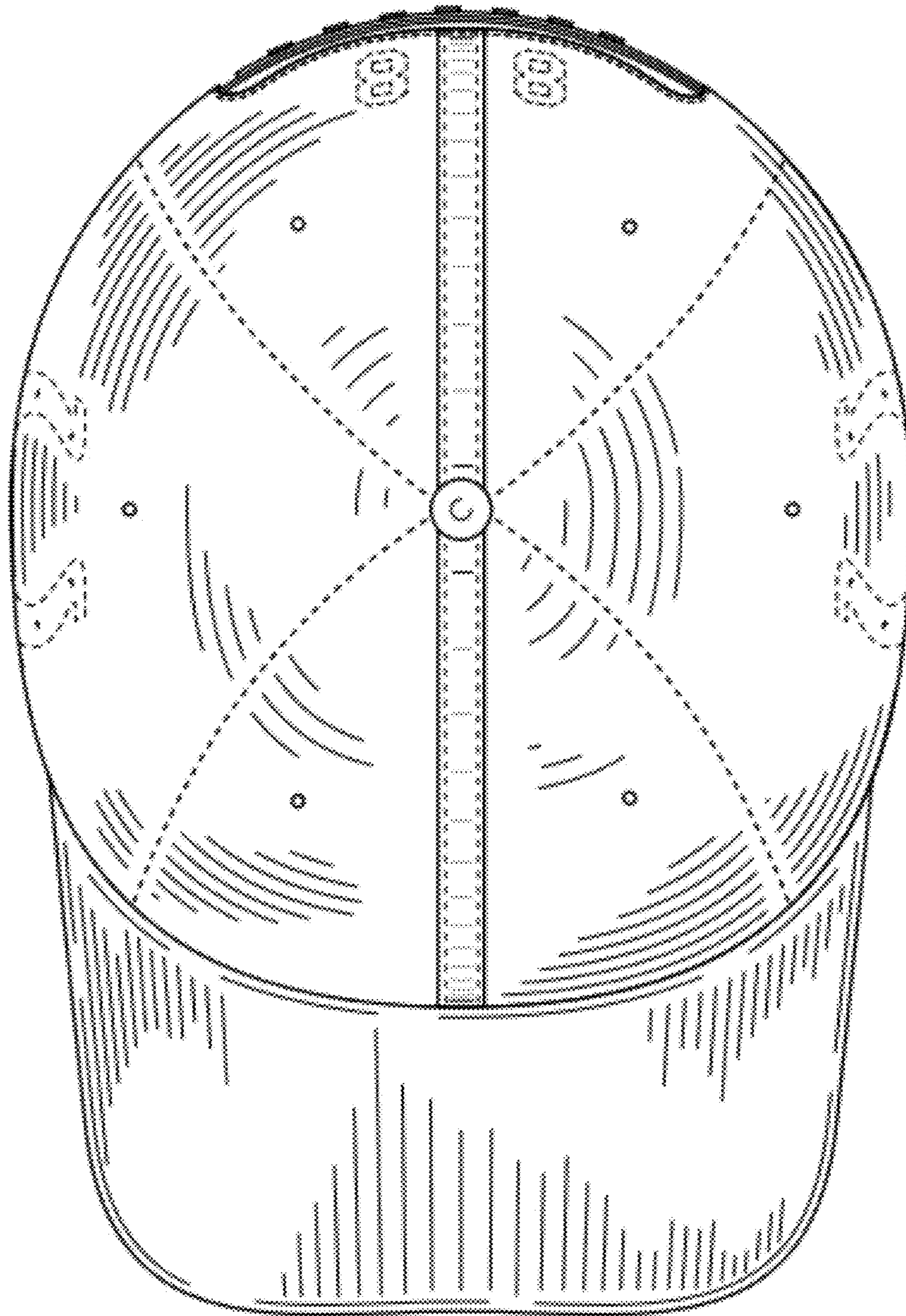


FIG. 27

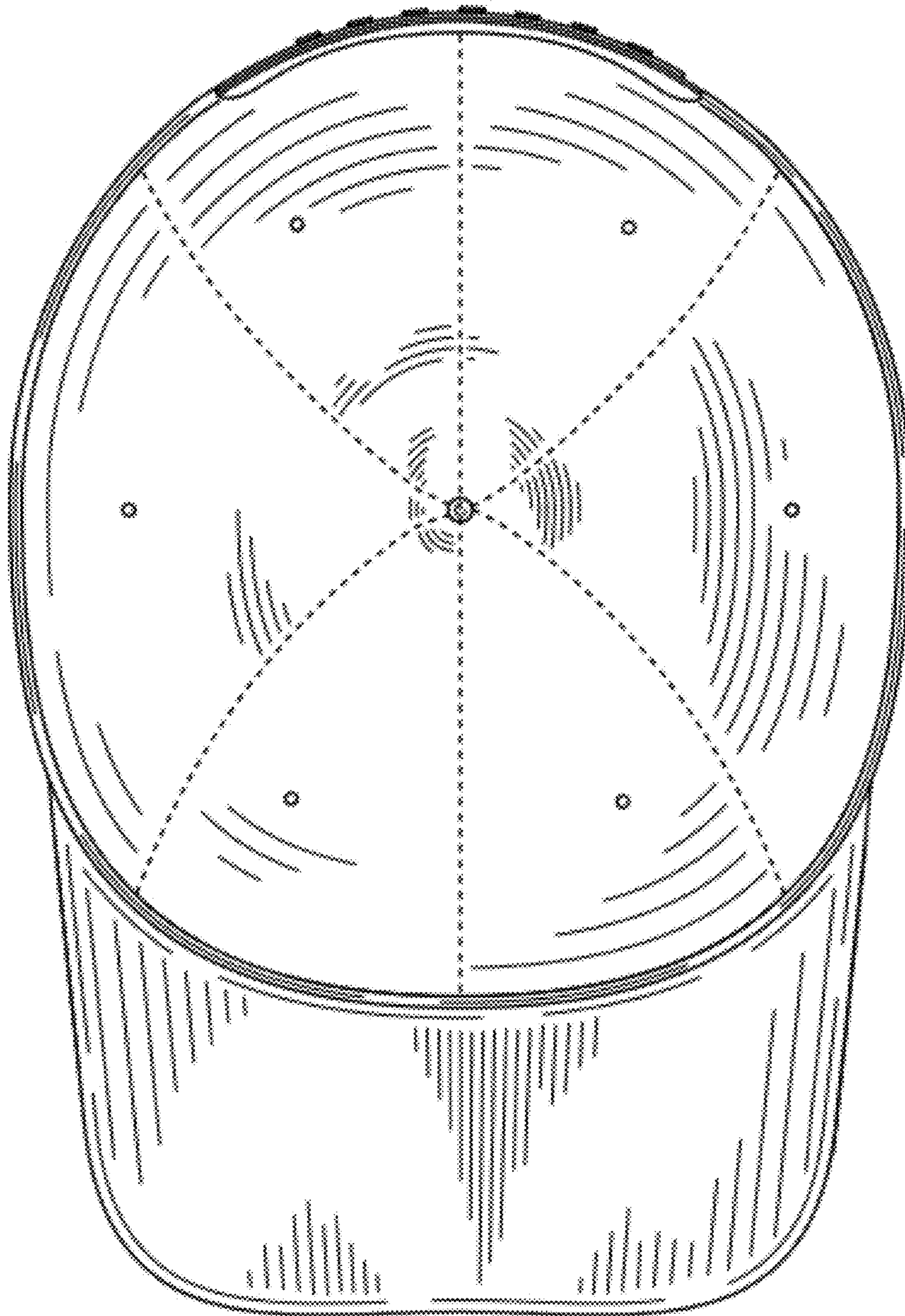


FIG. 28



FIG. 29

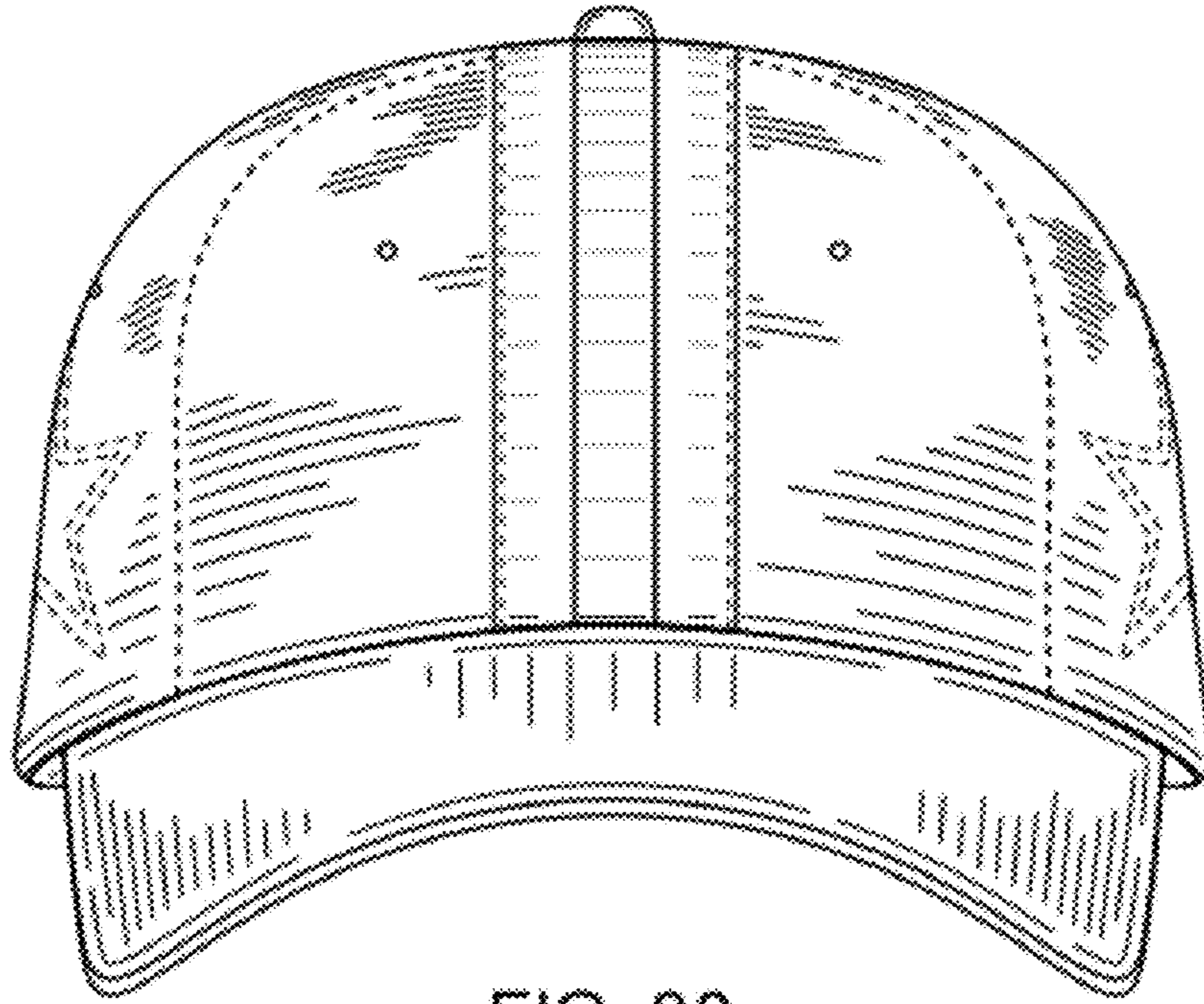


FIG. 30

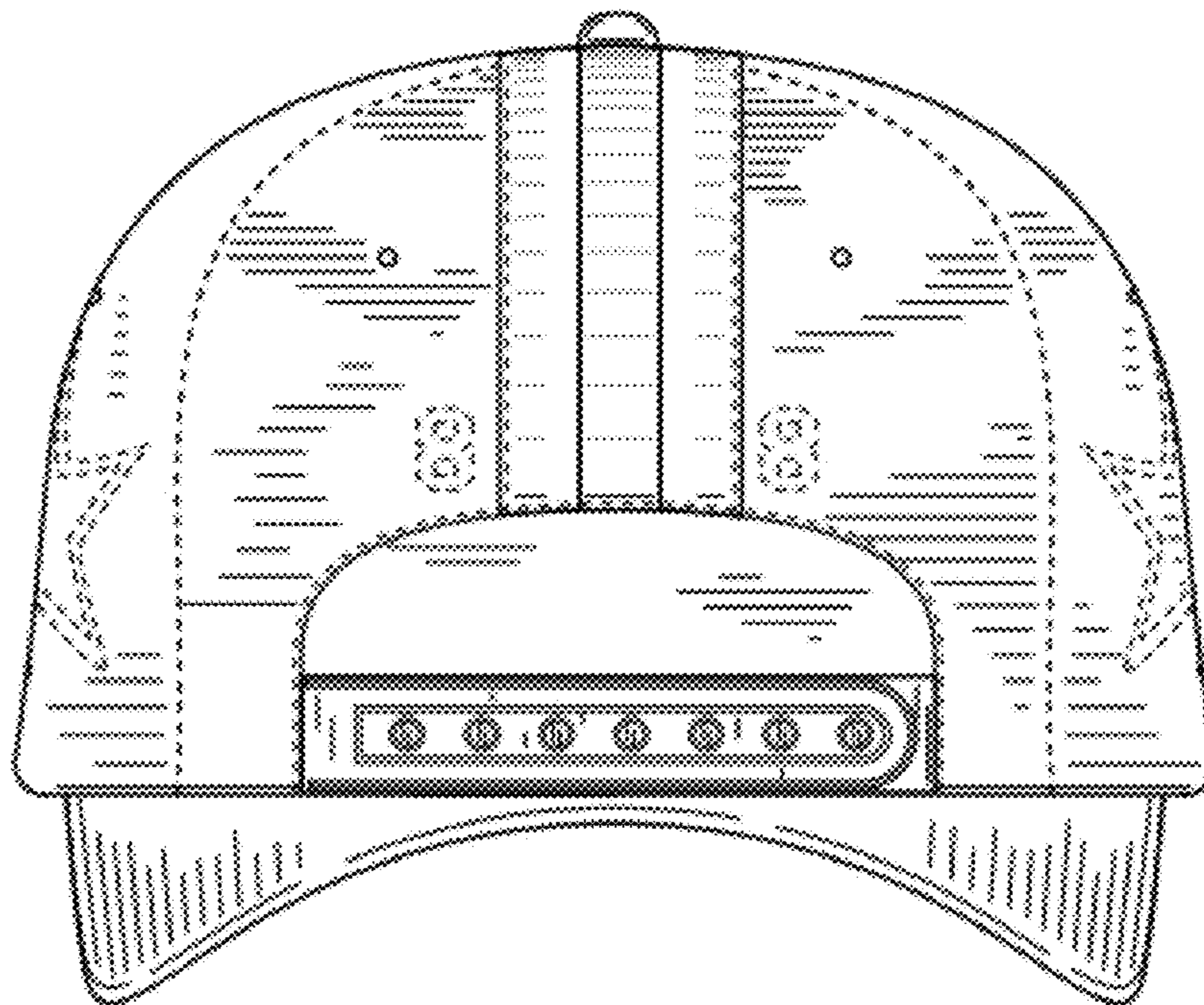


FIG. 31

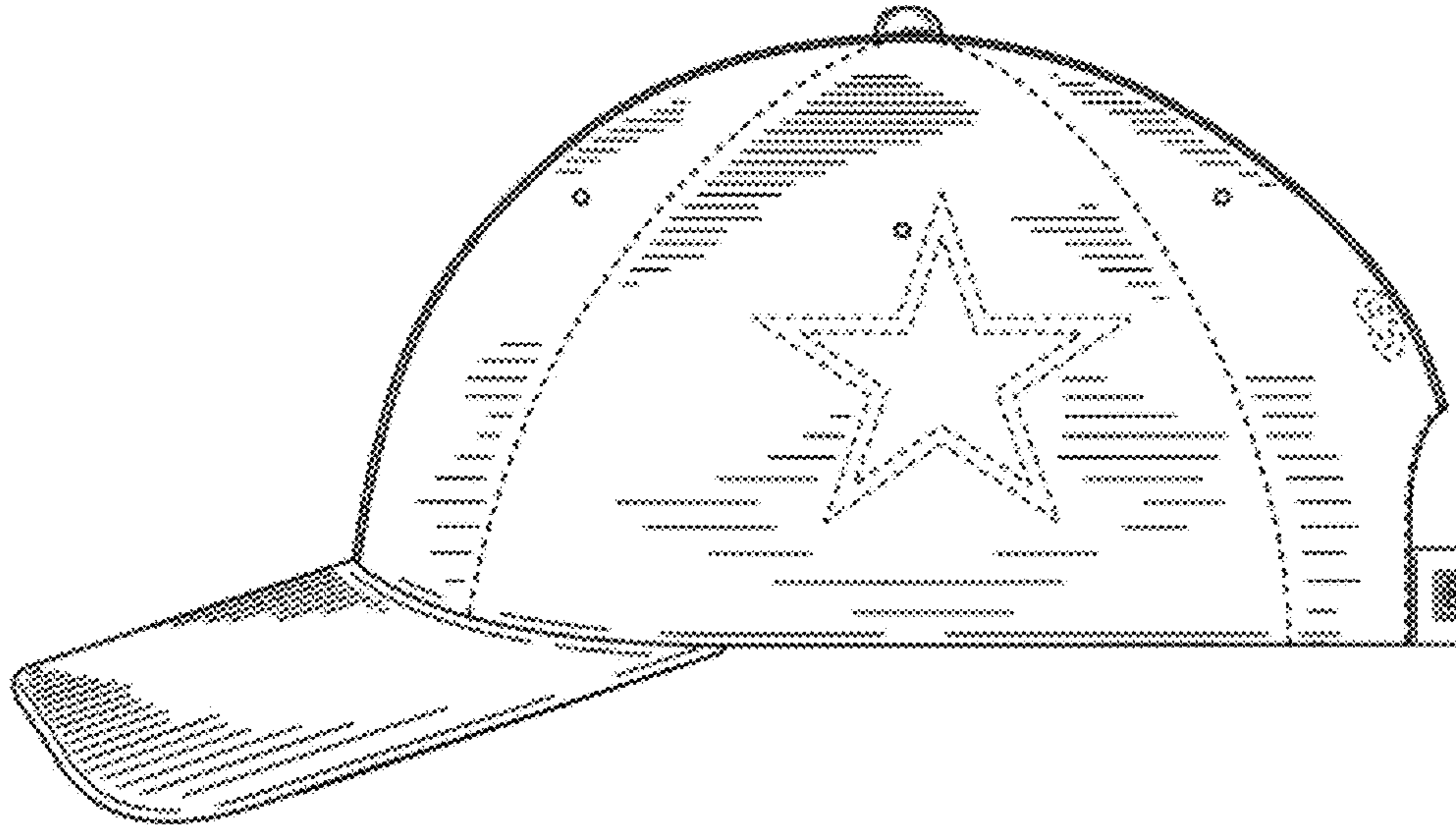


FIG. 32

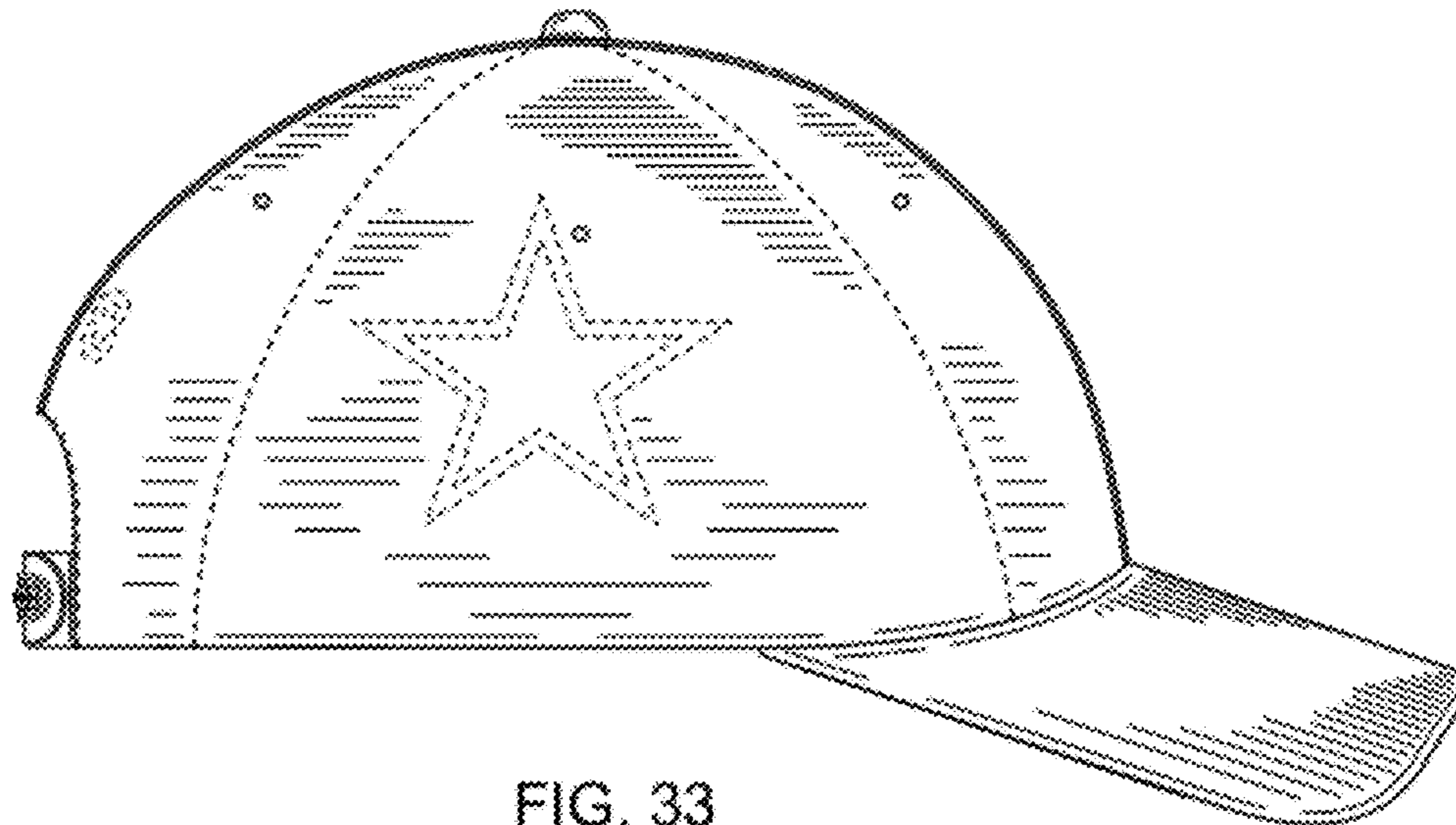


FIG. 33

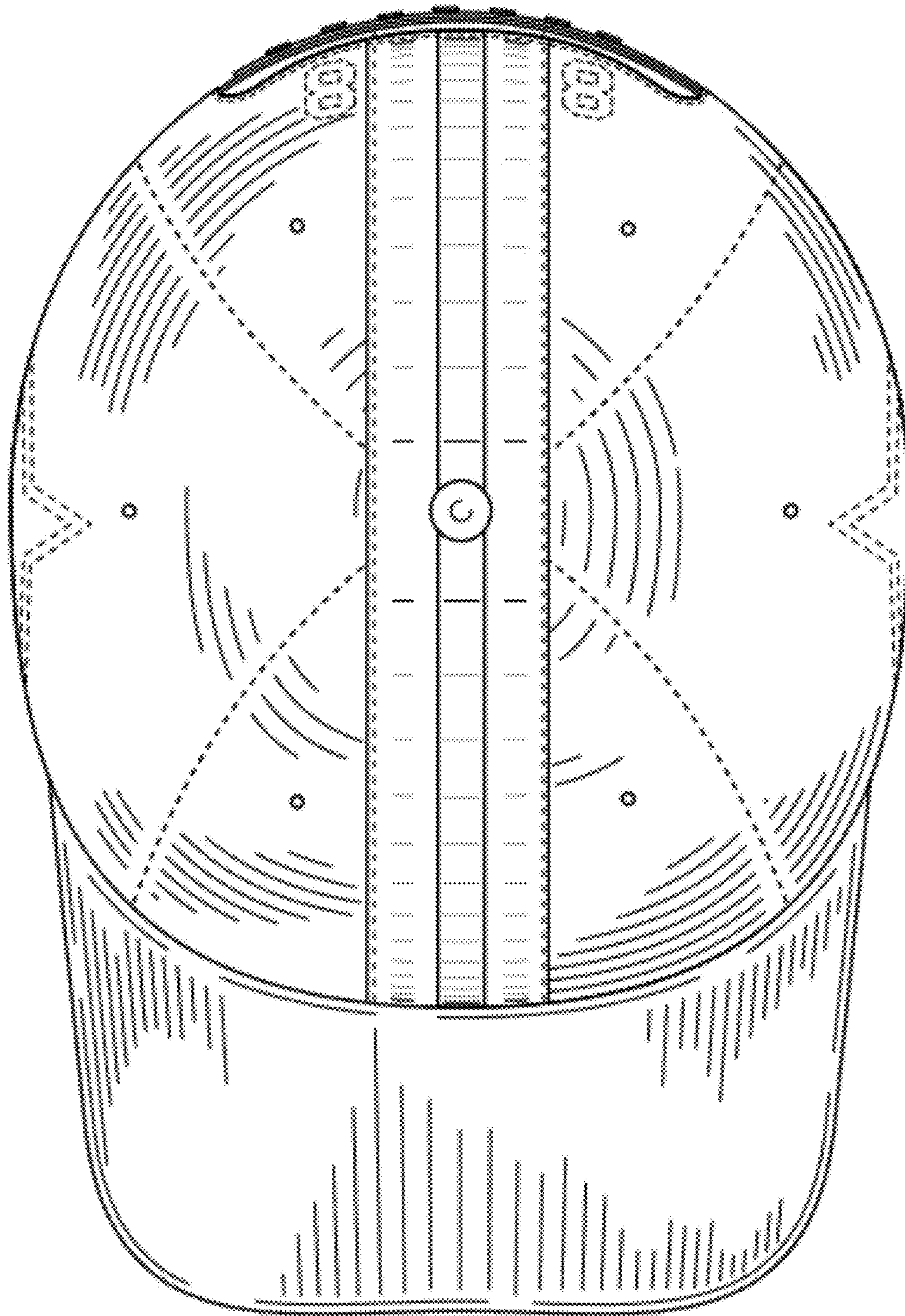


FIG. 34

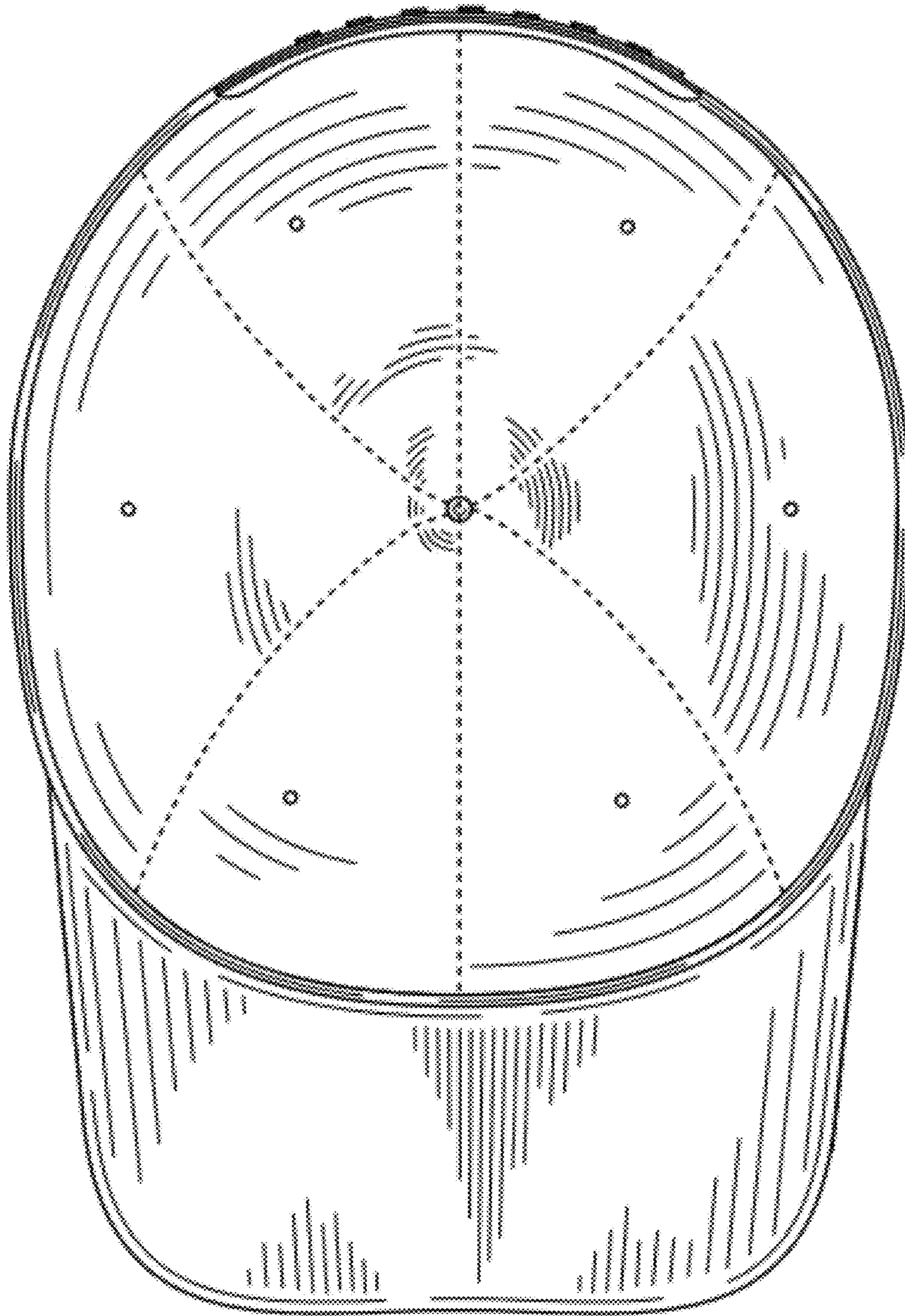


FIG. 35



FIG. 36

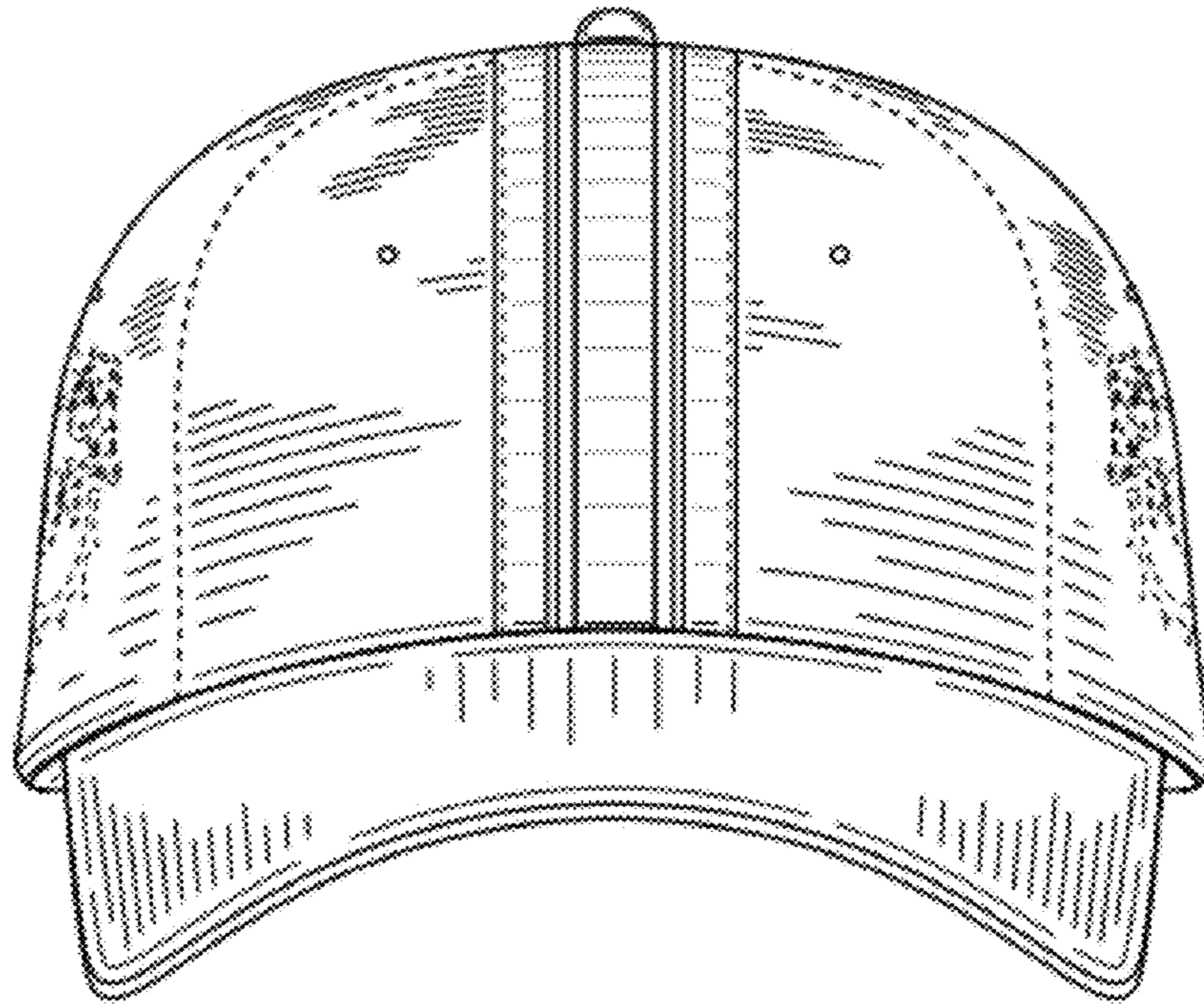


FIG. 37

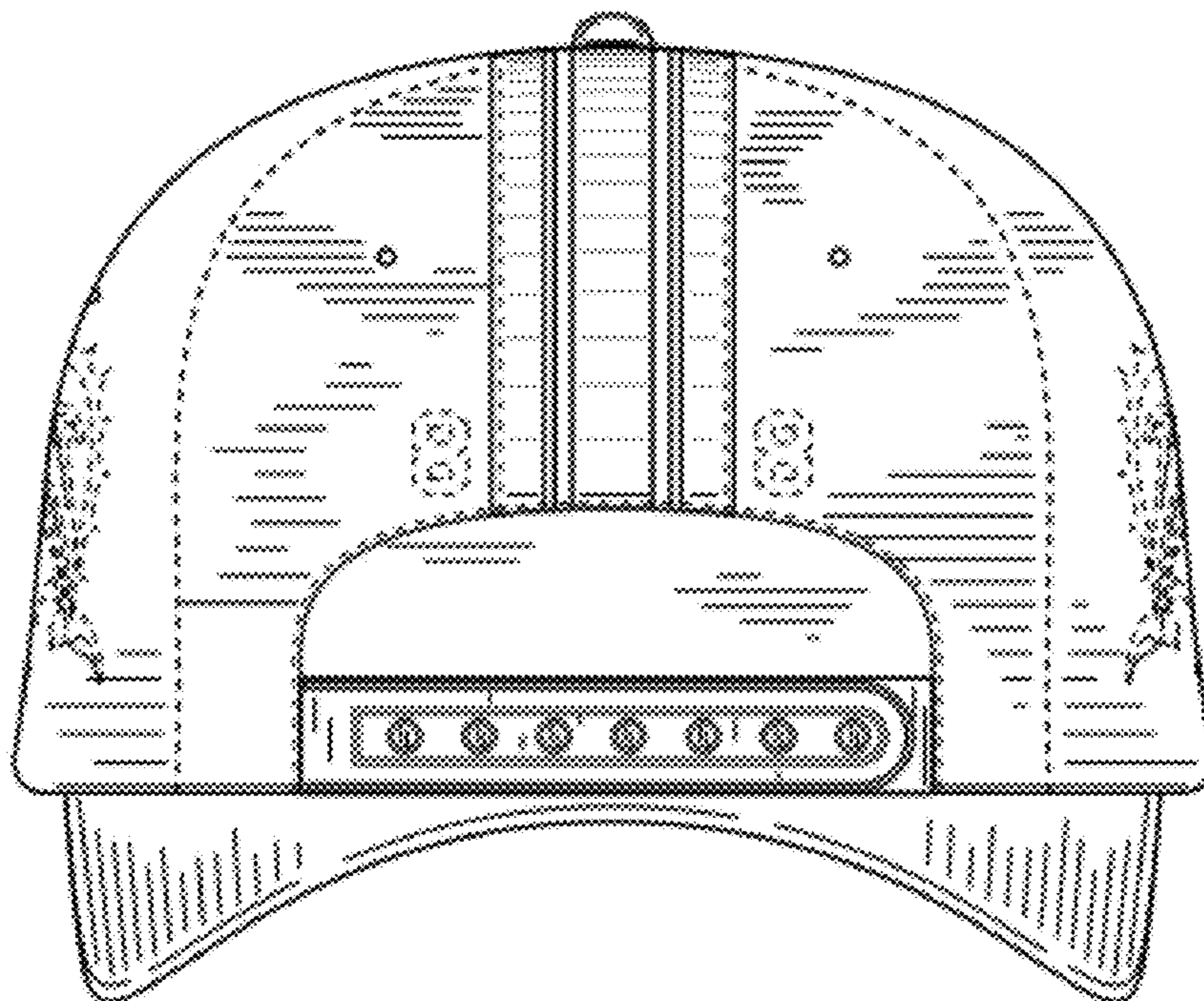


FIG. 38

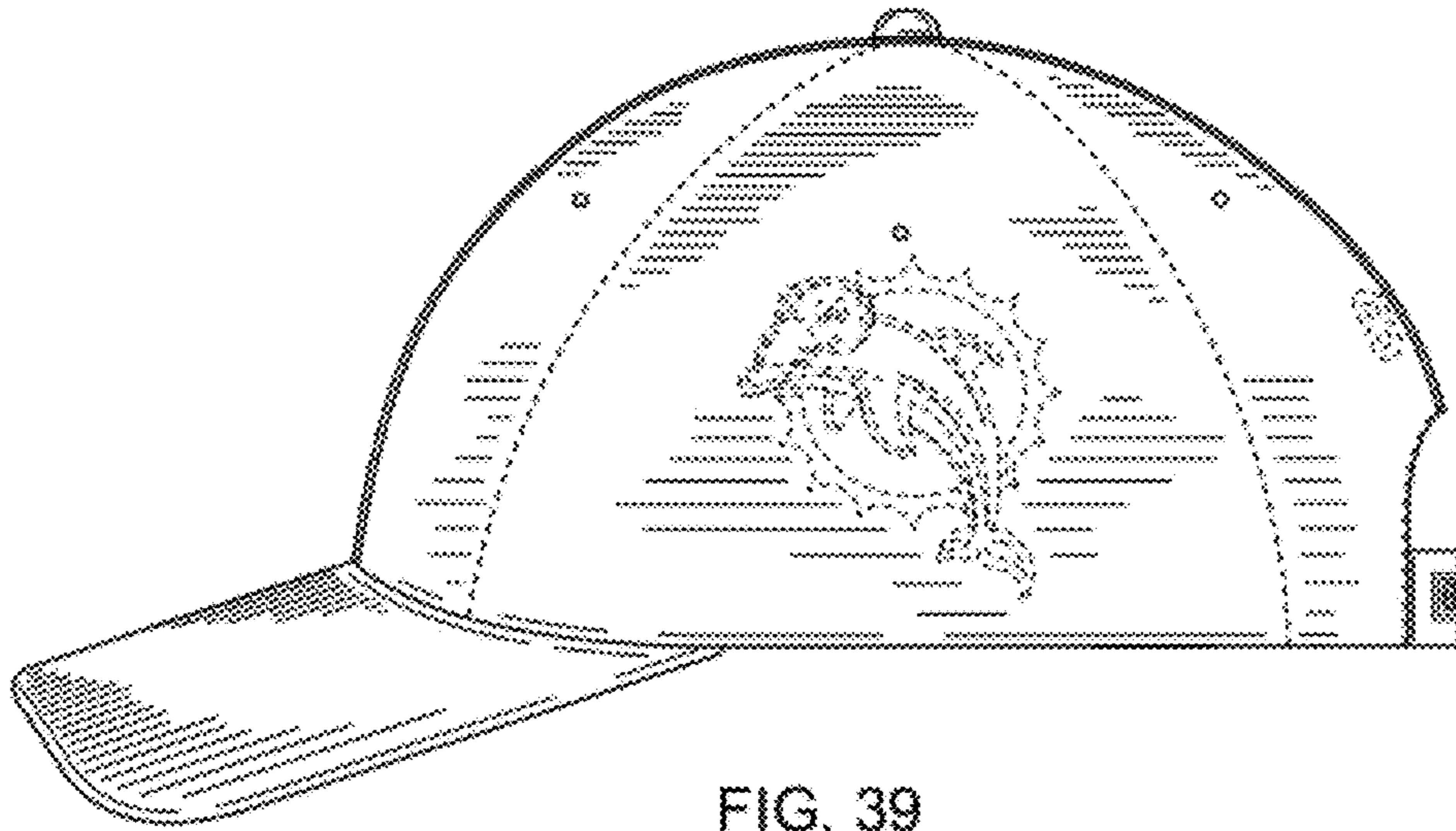


FIG. 39

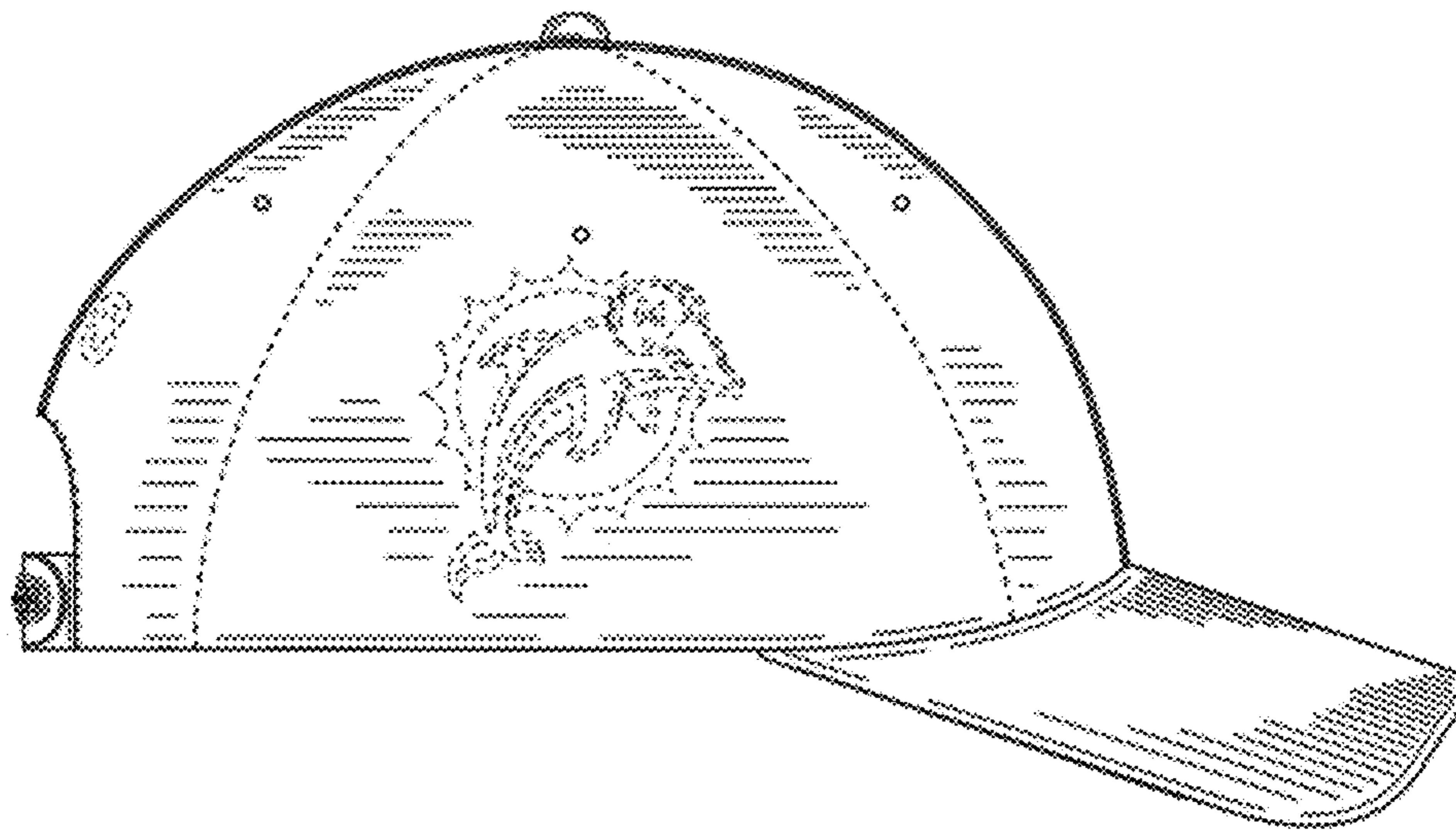


FIG. 40

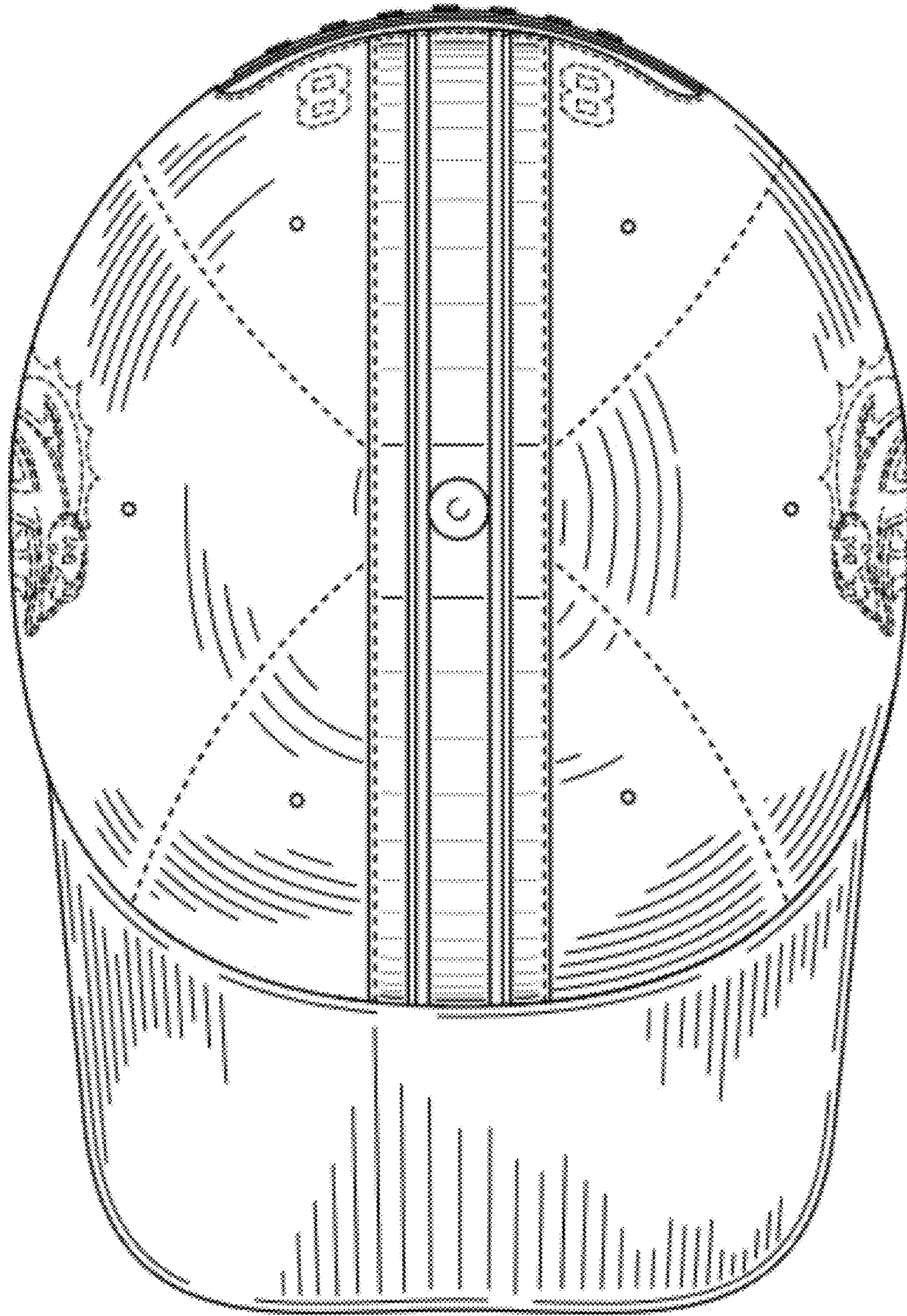


FIG. 41

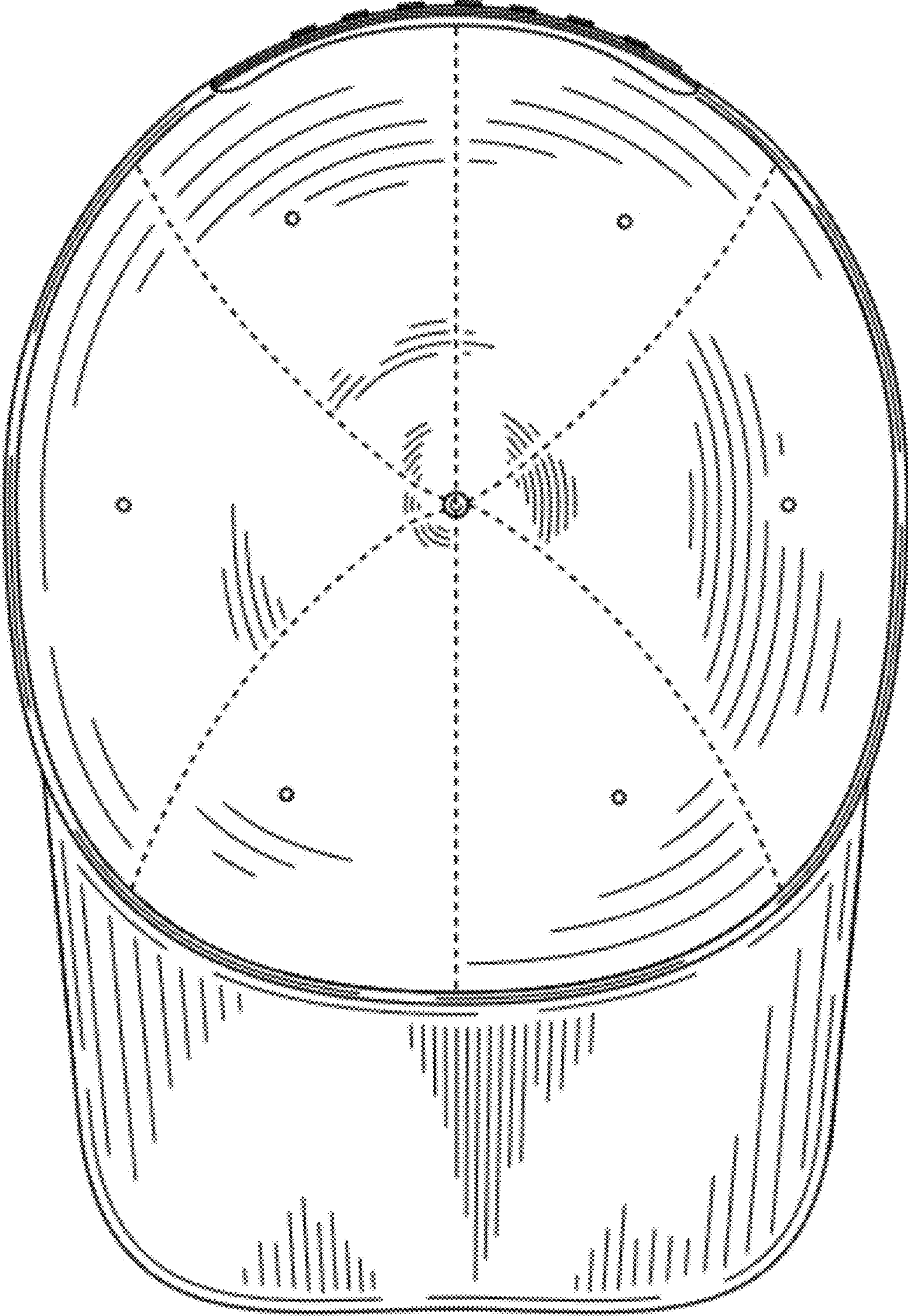


FIG. 42