



US00D675811S

(12) **United States Design Patent**  
**Stevens**

(10) **Patent No.:** **US D675,811 S**

(45) **Date of Patent:** **\*\* Feb. 12, 2013**

(54) **SLEEVED GARMENT**

(76) Inventor: **Nancy Stevens**, New York, NY (US)

(\*\*) Term: **14 Years**

(21) Appl. No.: **29/428,624**

(22) Filed: **Aug. 1, 2012**

(51) **LOC (9) Cl.** ..... **02-02**

(52) **U.S. Cl.** ..... **D2/847**

(58) **Field of Classification Search** ..... D2/828,  
D2/830, 839, 750, 840, 847; 2/90, 93, 96,  
2/98, 101, 106, 108

See application file for complete search history.

(56) **References Cited**

**U.S. PATENT DOCUMENTS**

1,250,836	A	12/1917	Fowler	
1,285,917	A	11/1918	Bradley et al.	
2,603,789	A	7/1952	Straus	
2,675,556	A *	4/1954	Collier	2/108
4,559,647	A *	12/1985	Smith et al.	2/158
4,570,267	A	2/1986	Appel	
4,625,338	A	12/1986	Starling	
4,706,304	A	11/1987	Jones	
6,183,339	B1	2/2001	Thompson	
6,393,611	B1	5/2002	Thompson	
7,028,342	B1	4/2006	Nordstrom et al.	
7,066,784	B2	6/2006	Peay	
D548,891	S	8/2007	Boord	
D572,435	S	7/2008	Bily et al.	
7,429,206	B2	9/2008	Perry	
D578,278	S	10/2008	Song	
D639,024	S	6/2011	Benderradji	
D639,527	S	6/2011	Stoffle	
D646,869	S	10/2011	Greenblat	
D663,925	S *	7/2012	Greenblat	D2/750
2004/0199976	A1	10/2004	Hunt	
2010/0199403	A1	8/2010	Greenblat	

**OTHER PUBLICATIONS**

Lyst. <http://www.lyst.com/clothing/twin-set-simona-barbieri-azure-long-sleeve-shrug/>. Copyright 2012. "Twin-Set Simona Barbieri: Long Sleeve Shrug".\*

Gang of Divas. [http://www.gangofdivas.com/product.php?id\\_product=259](http://www.gangofdivas.com/product.php?id_product=259). Date Unknown: Viewed Sep. 2012. "T567 Black Long Sleeved Crop Top".\*

Second Life Marketplace. <https://marketplace.secondlife.com/p/Kyoot-Soft-Heart-Cropped-Top-White/3589206>. Date Unknown: Viewed Sep. 2012. "Kyoot-Soft Heart Cropped Top".\*

Hawaii Dermatology. <http://hawaiidermatology.com/esprial/esprial-fishnet-crop-top.htm>. Date Unknown: Viewed Sep. 2012. "Esprial fishnet crop top".\*

\* cited by examiner

*Primary Examiner* — Rashida Johnson

(74) *Attorney, Agent, or Firm* — Maier & Maier PLLC

(57) **CLAIM**

The ornamental design for a sleeved garment, as shown and described.

**DESCRIPTION**

FIG. 1 is a front view of a sleeved garment, showing my design;

FIG. 2 is a rear view thereof;

FIG. 3 is a right side view thereof with the sleeves in a lowered position, the left side view being a mirror image of the right side view;

FIG. 4 is a right side view thereof with the sleeves in a raised position, the left side view being a mirror image of the right side view;

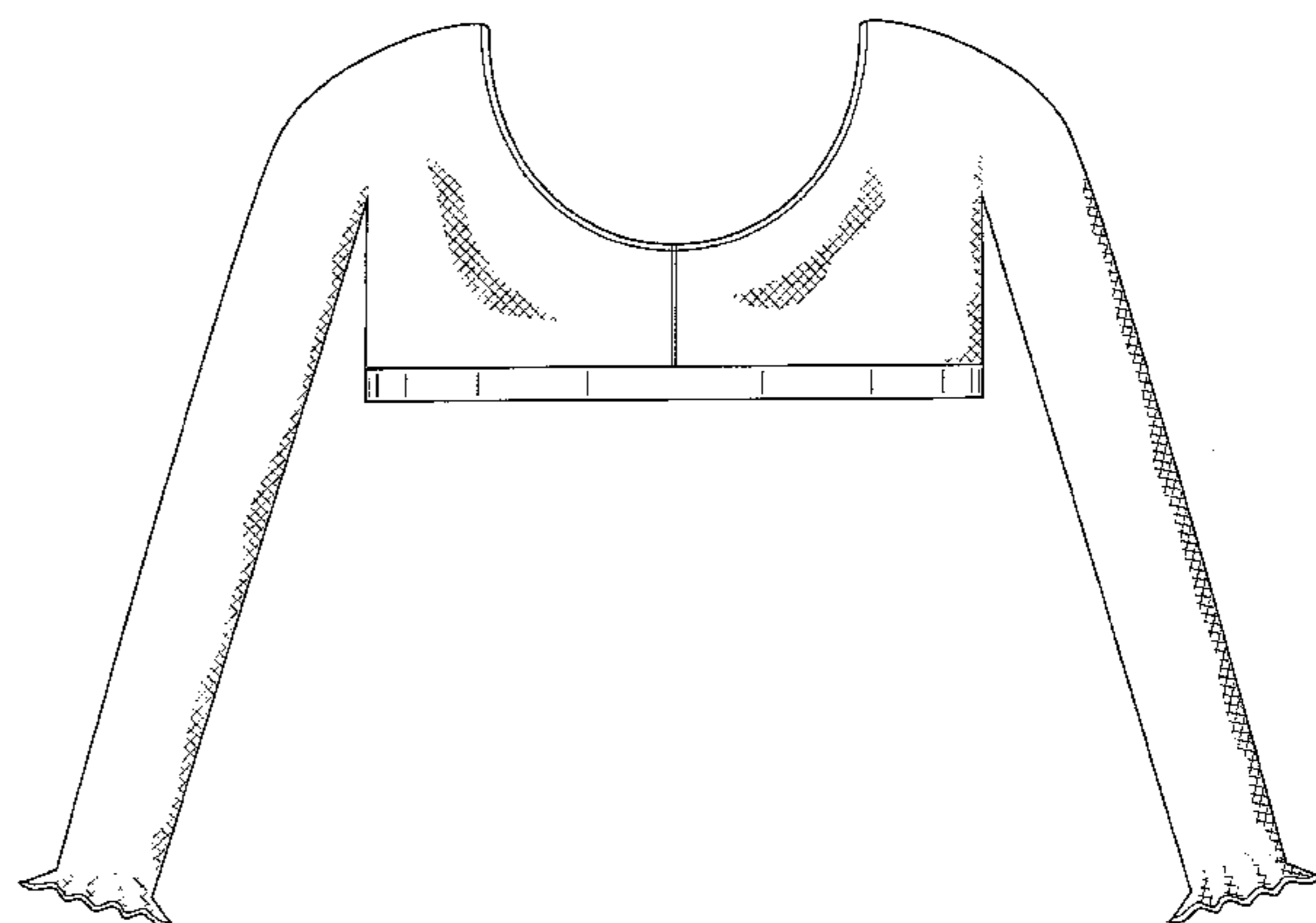
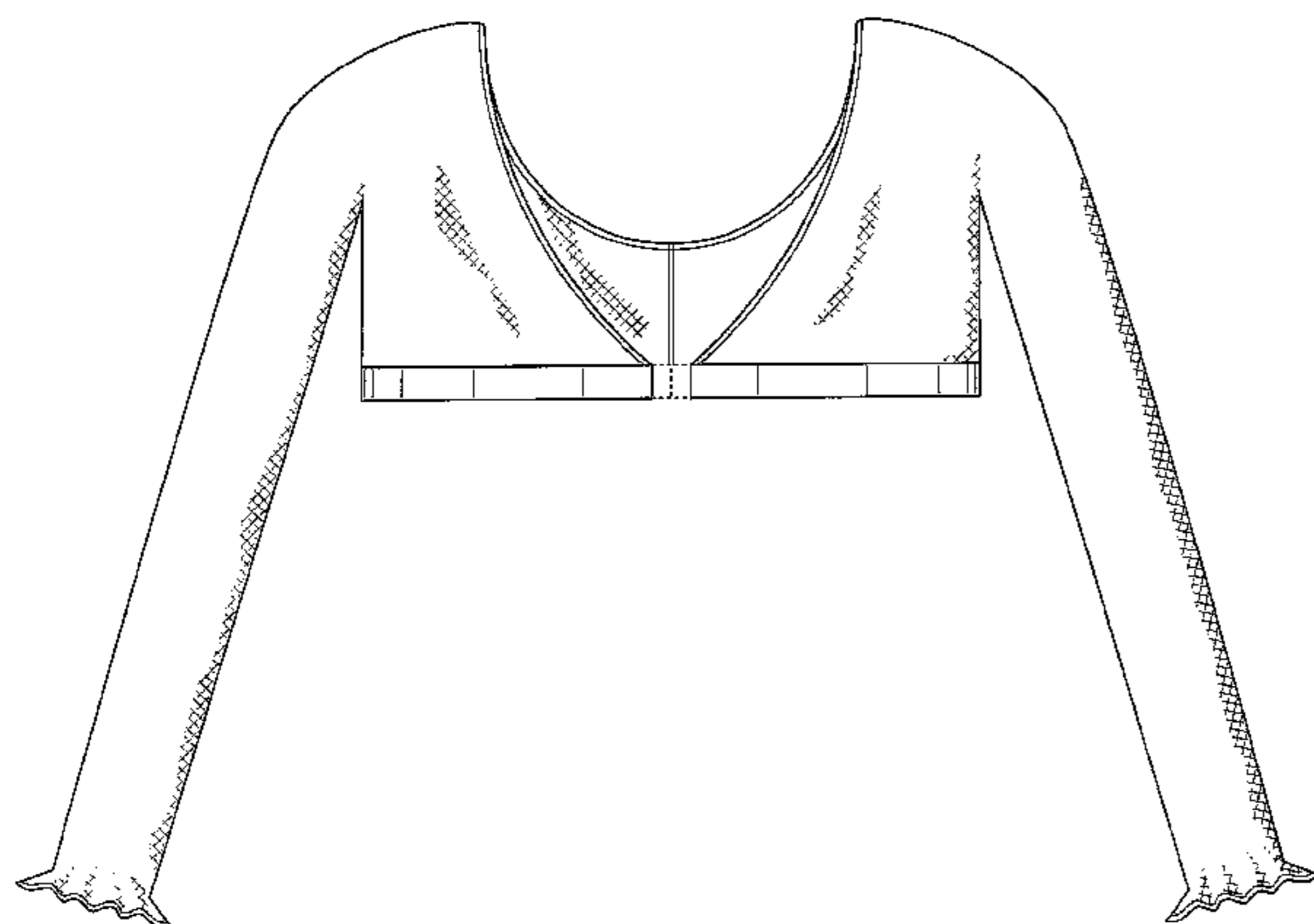
FIG. 5 is a front perspective view thereof;

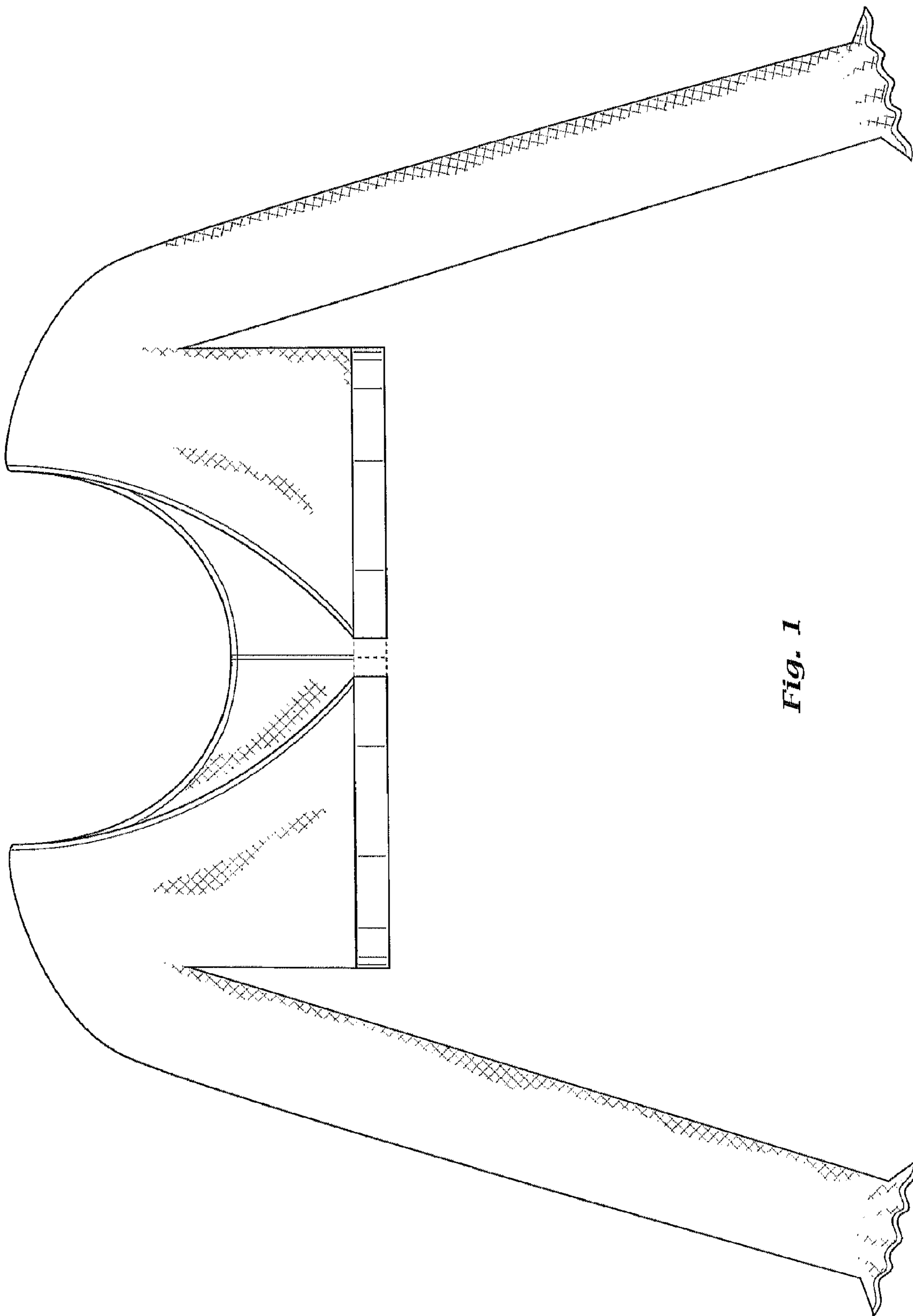
FIG. 6 is a rear perspective view thereof; and,

FIG. 7 is a bottom front perspective view thereof.

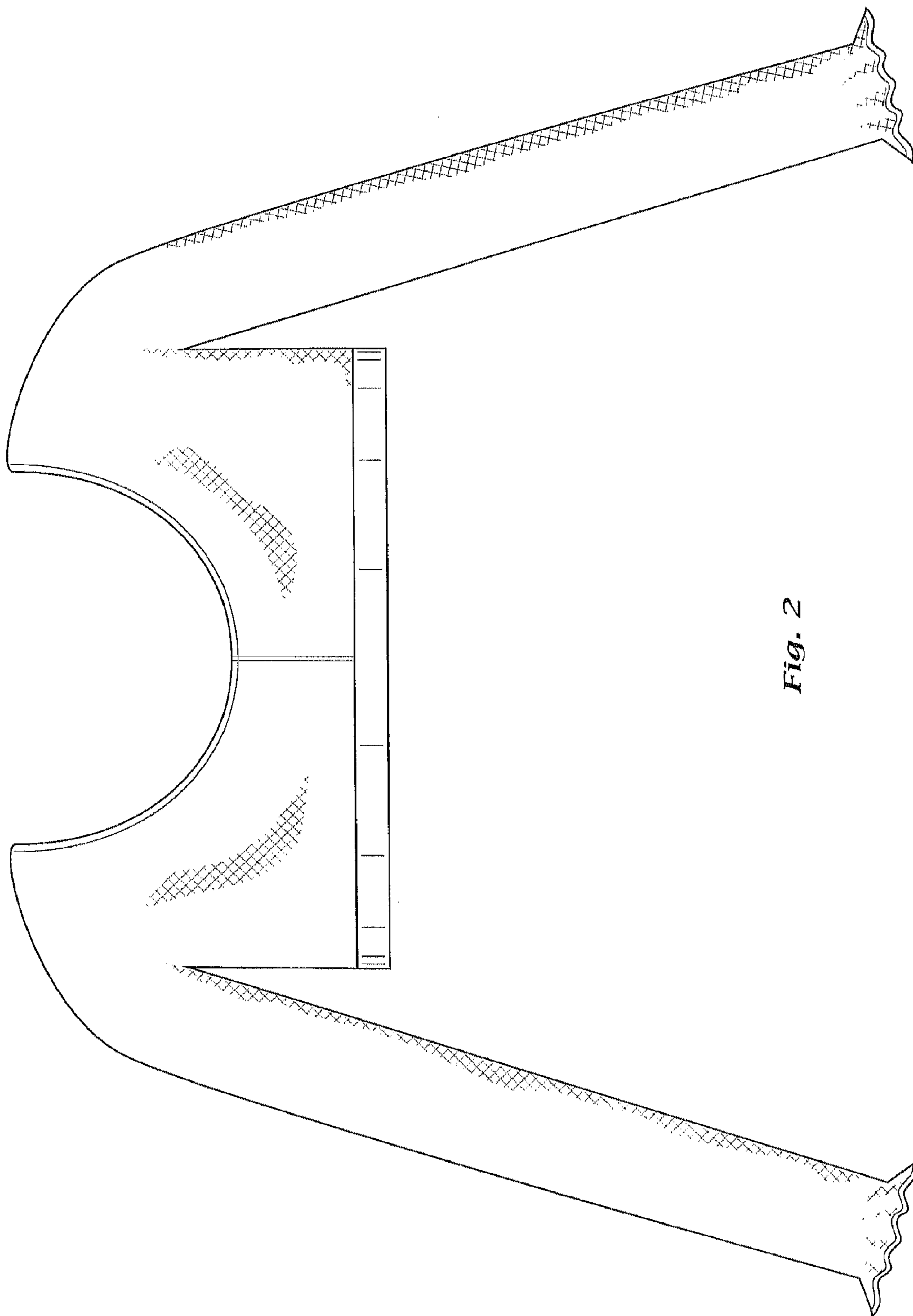
The broken lines shown in FIGS. 1, 5 and 7 represent the portions of the sleeved garment, which form no part of the claim.

**1 Claim, 6 Drawing Sheets**

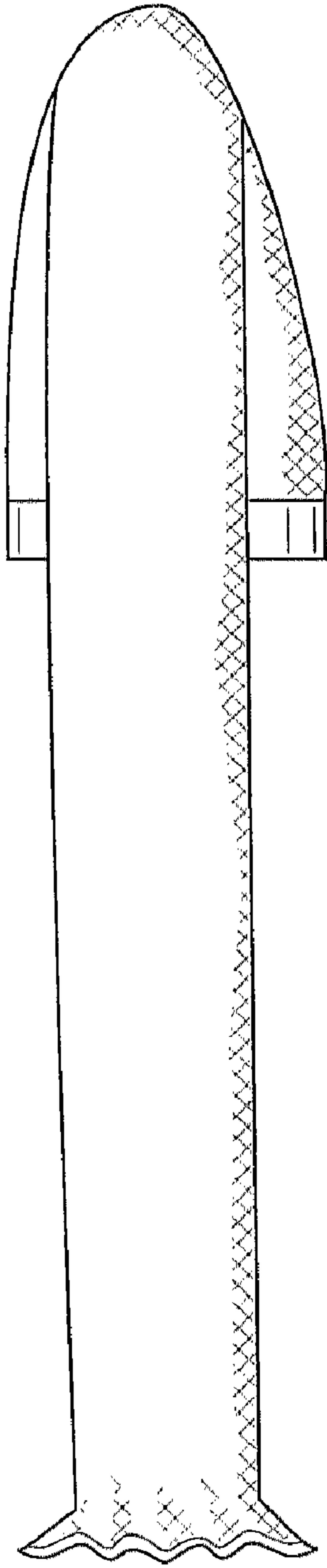




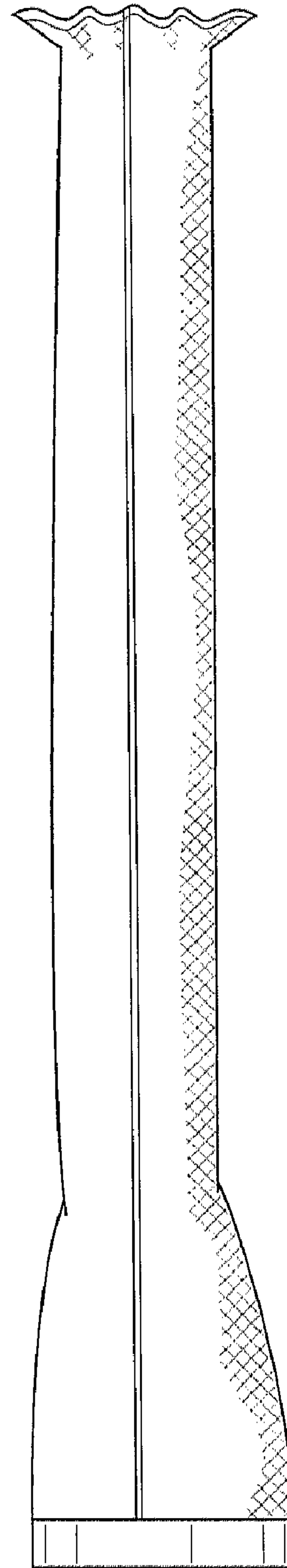
*Fig. 1*



*Fig. 2*



*Fig. 3*



*Fig. 4*



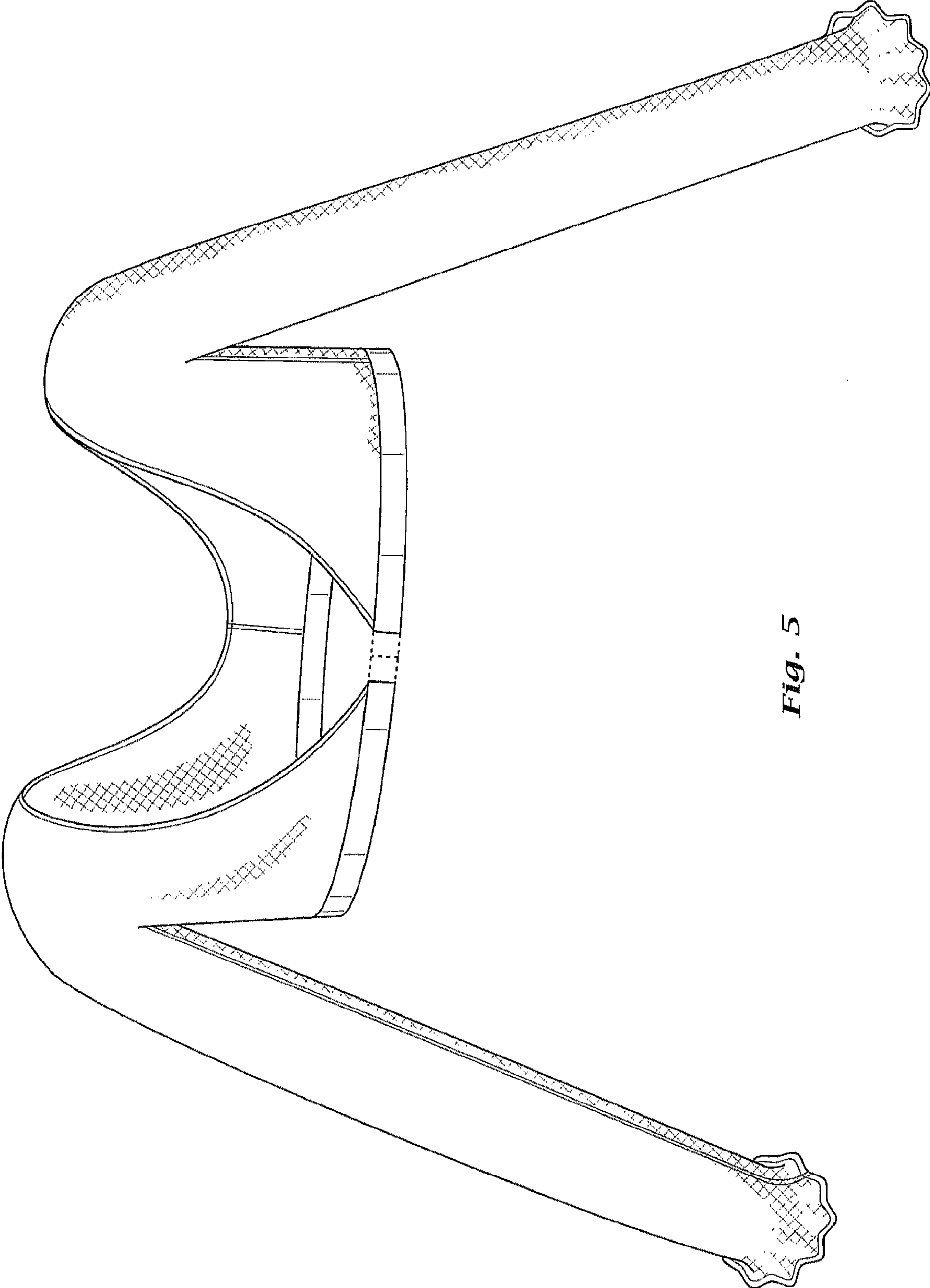


Fig. 5

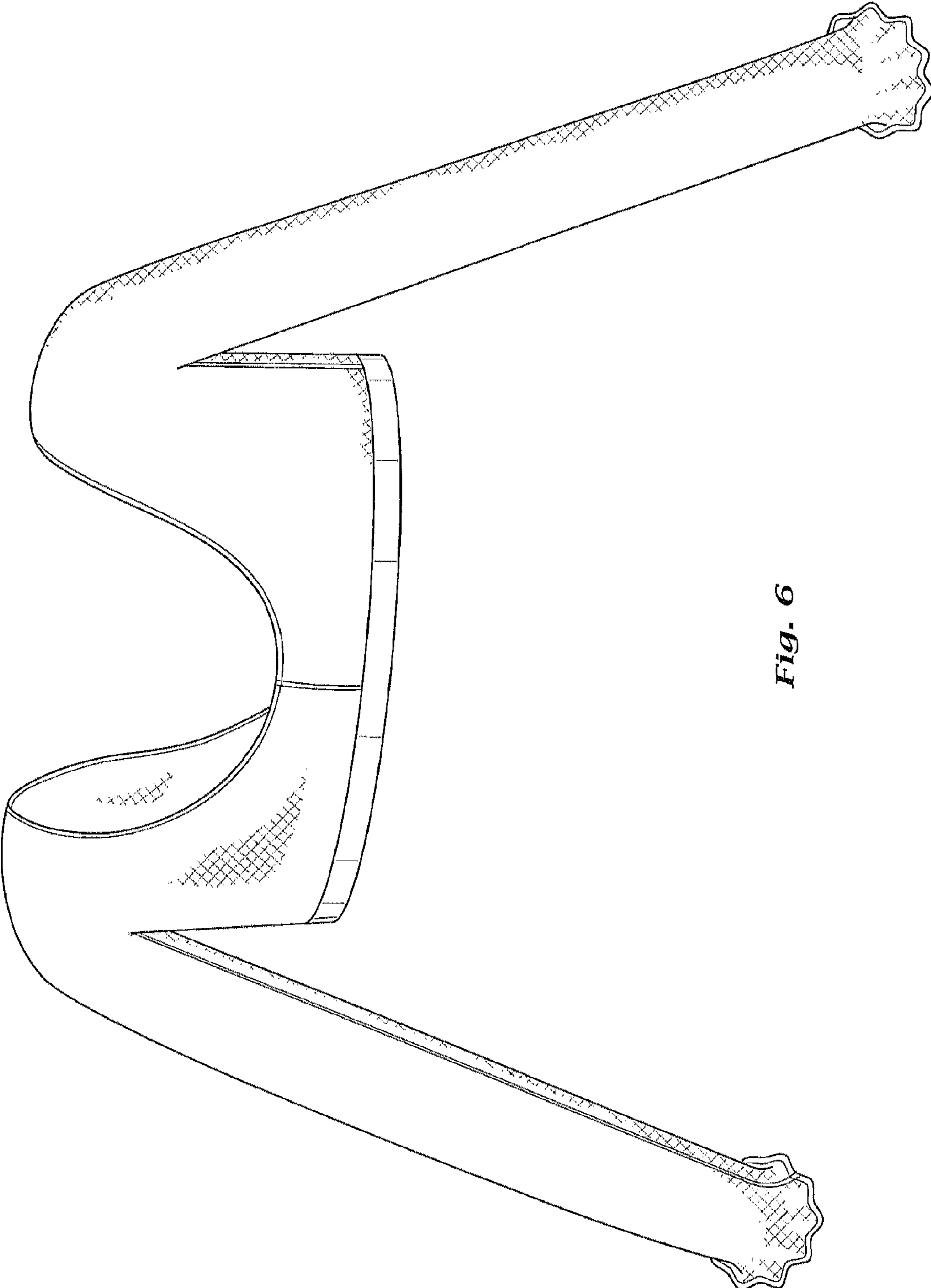


Fig. 6

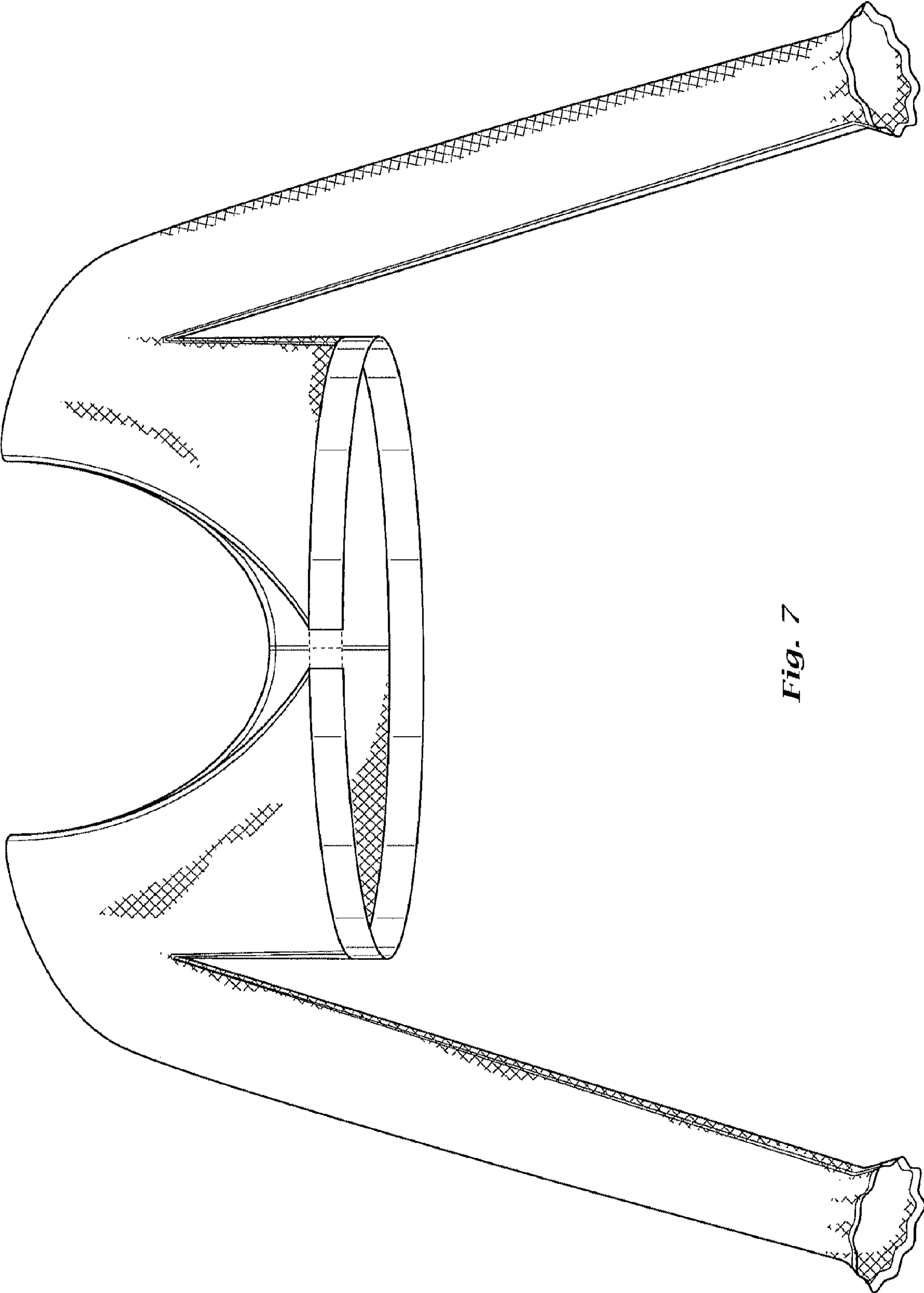


Fig. 7