



US00D675805S

(12) **United States Design Patent**
Randall et al.

(10) **Patent No.:** **US D675,805 S**

(45) **Date of Patent:** **** Feb. 5, 2013**

(54) **PALLET PROTECTOR**

(76) Inventors: **Wayne Randall**, Woodbridge, CA (US);
Jonathan Austin BeVier, Sebastopol,
CA (US)

(**) Term: **14 Years**

(21) Appl. No.: **29/410,865**

(22) Filed: **Jan. 12, 2012**

(51) **LOC (9) Cl.** **09-08**

(52) **U.S. Cl.** **D34/38**

(58) **Field of Classification Search** D34/38;
108/51.11, 51.3, 53.1, 53.3, 53.5, 56.1, 573.18;
206/386, 597, 599, 600

See application file for complete search history.

(56) **References Cited**

U.S. PATENT DOCUMENTS

2,885,073	A *	5/1959	Bettoli et al.	206/324
D238,862	S *	2/1976	Hewson	D34/38
3,940,101	A *	2/1976	Heidelbach	248/346.4
4,509,433	A *	4/1985	Farr	108/52.1
D301,079	S *	5/1989	DePew	D34/38
4,960,209	A *	10/1990	Tudor	206/597
D416,782	S *	11/1999	Reinhardt	D8/354
6,926,144	B1 *	8/2005	Schnaars et al.	206/386
D537,229	S *	2/2007	Abe et al.	D34/38

D612,566	S *	3/2010	Kessler	D34/38
D654,244	S *	2/2012	Kessler et al.	D34/38
D657,115	S *	4/2012	Kessler et al.	D34/38
D657,934	S *	4/2012	Kessler et al.	D34/38
D657,935	S *	4/2012	Kessler et al.	D34/38
D665,145	S *	8/2012	Kessler et al.	D34/38

* cited by examiner

Primary Examiner — Cynthia Ramirez

(74) *Attorney, Agent, or Firm* — George P. White

(57) **CLAIM**

The ornamental design for a pallet protector, as shown and described.

DESCRIPTION

FIG. 1 shows a perspective view of our design for the shape of a pallet protector in the environment of an attached pallet. The dashed line depiction of a pallet is for purposes of illustrating the environment and forms no part of the claimed design; FIG. 2 shows the right side elevation view of our design for a pallet protector, the left side is a mirror image of the right side; FIG. 3 shows a front view of the pallet protector of FIG. 1; FIG. 4 shows a rear view of the pallet protector of FIG. 1; FIG. 5 shows a plan view of the pallet protector of FIG. 1; and, FIG. 6 shows a bottom view of the pallet protector of FIG. 1.

1 Claim, 3 Drawing Sheets

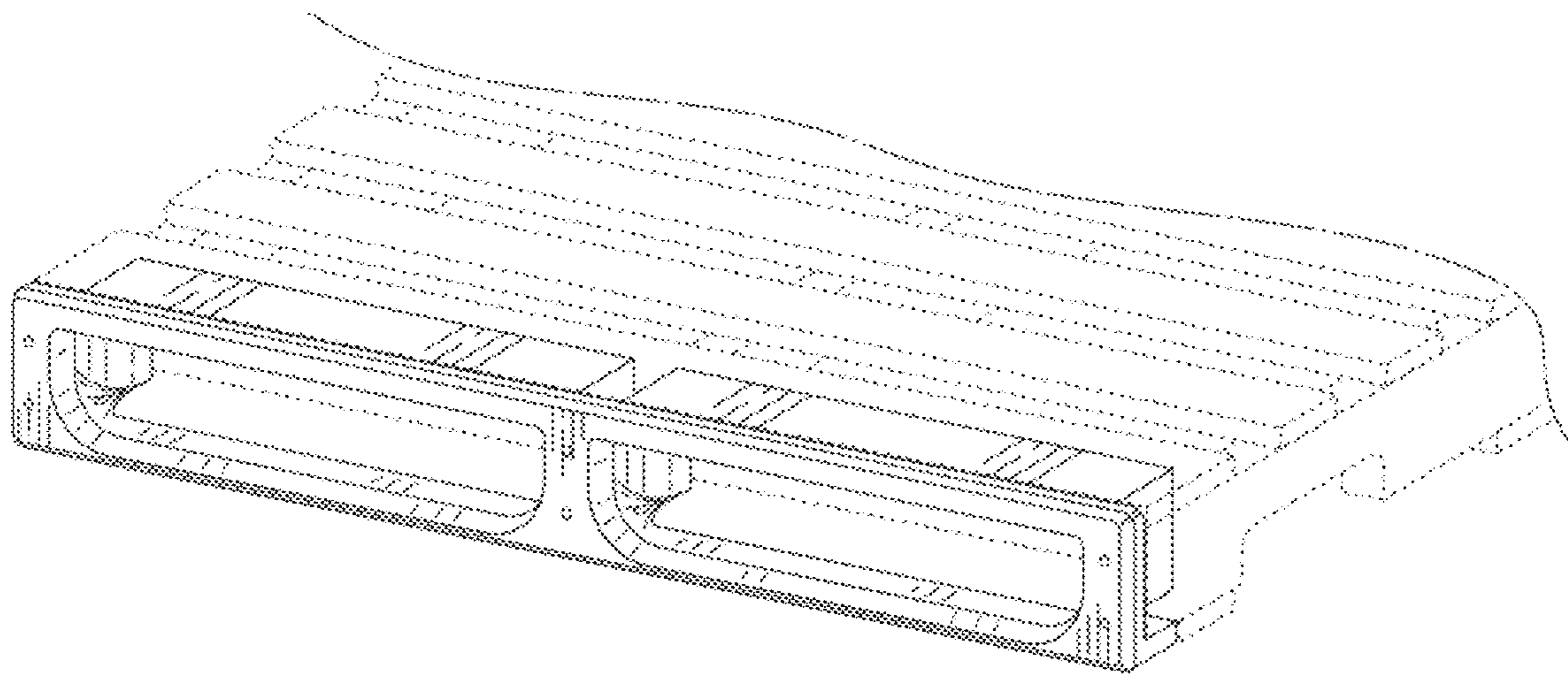


Fig. 1

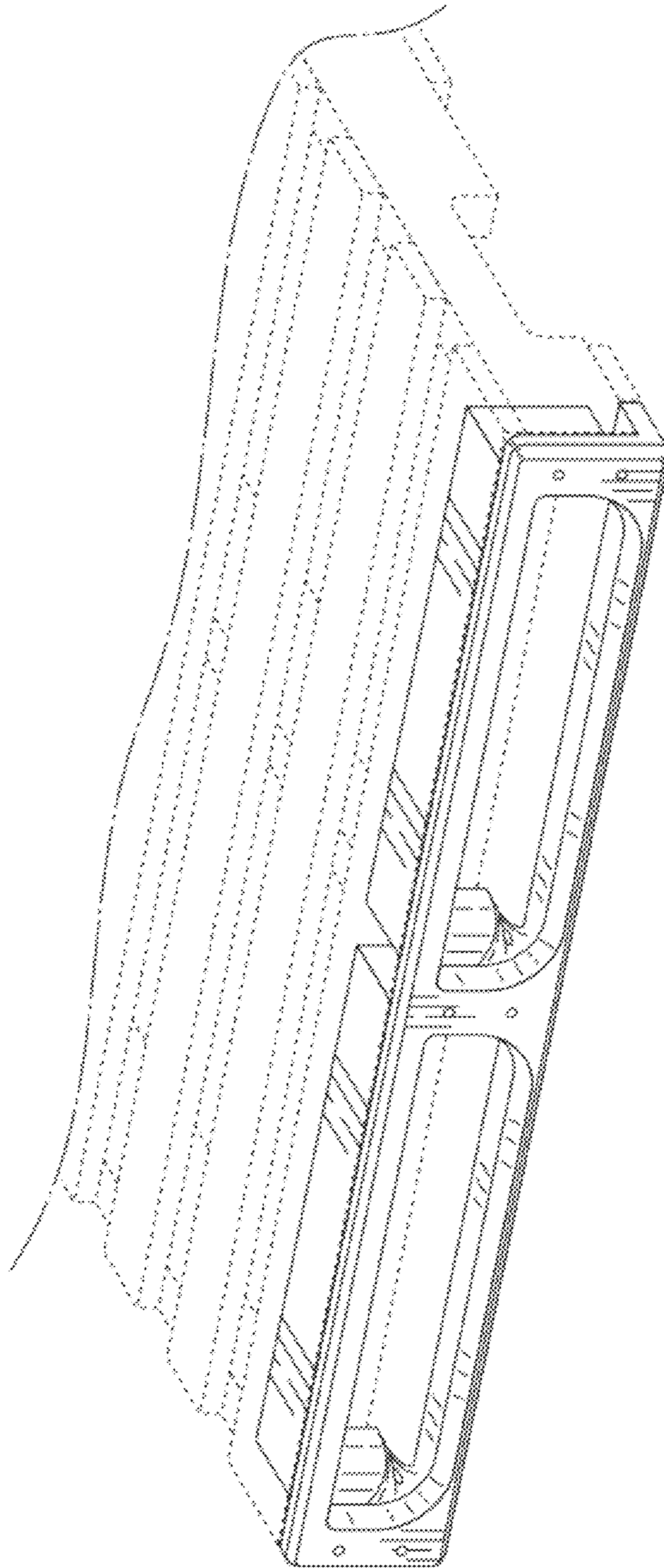


Fig. 2

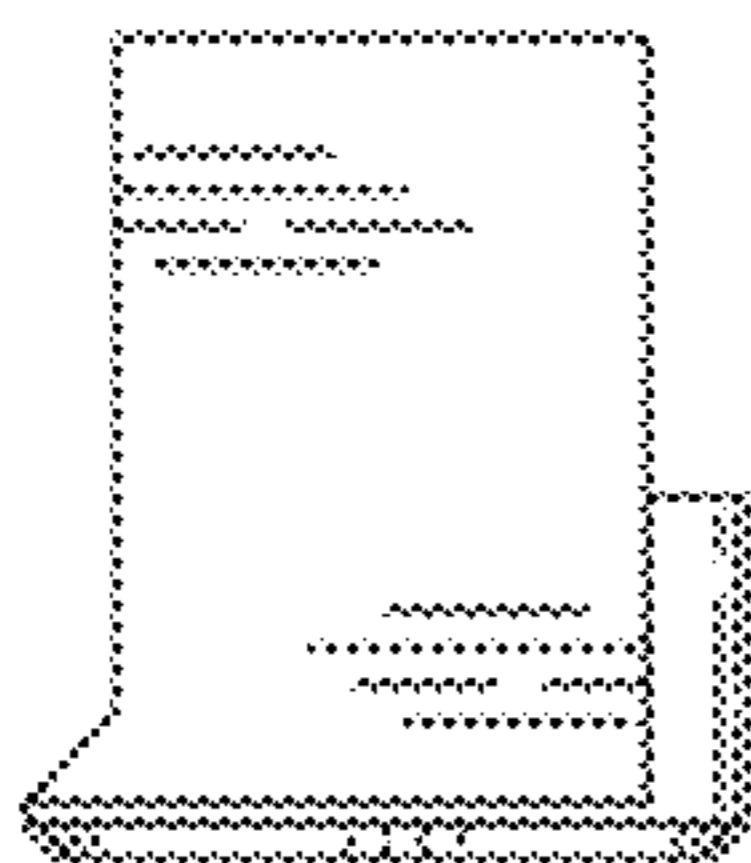


Fig. 3

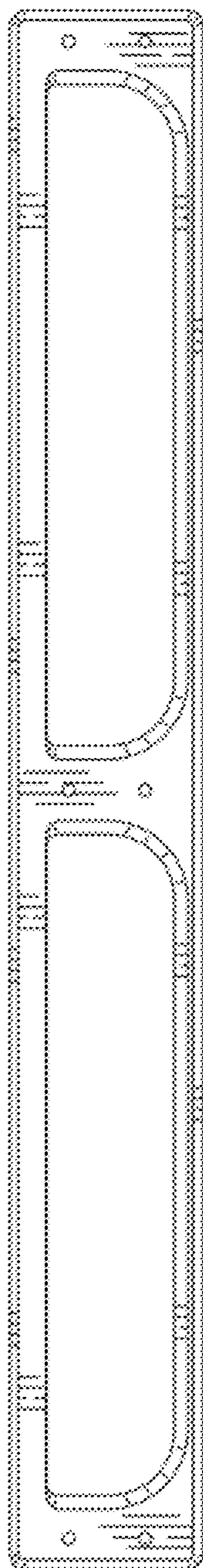


Fig. 4

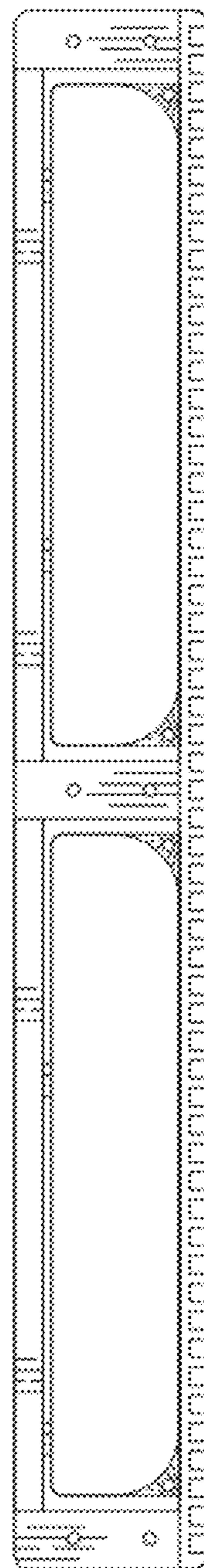


Fig. 5

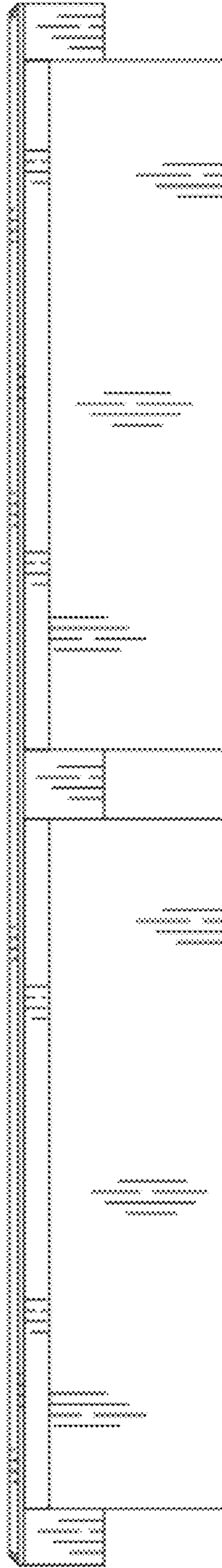
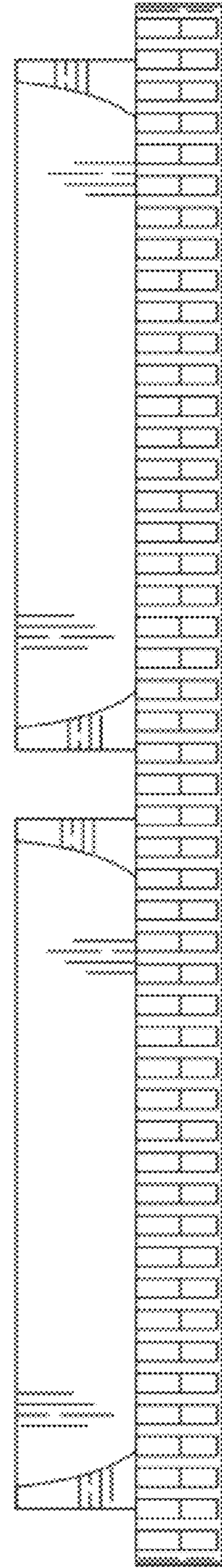


Fig. 6



UNITED STATES PATENT AND TRADEMARK OFFICE
Certificate

Patent No. D. 675,805 S

Patented: February 5, 2013

On petition requesting issuance of a certificate for correction of inventorship pursuant to 35 U.S.C. 256, it has been found that the above identified patent, through error and without any deceptive intent, improperly sets forth the inventorship.

Accordingly, it is hereby certified that the correct inventorship of this patent is: Wayne Randall, Woodbridge, CA (US); Jonathan Austin Be Vier, Sebastopol, CA (US); and Jeff Racoonsin, Baldwin Park, CA (US).

Signed and Sealed this Eighteenth Day of June 2013.

CATHRON BROOKS
Supervisory Patent Examiner
Art Unit 2911
Technology Center 2900