



US00D675803S

(12) **United States Design Patent**  
**Yang et al.**

(10) **Patent No.:** **US D675,803 S**  
(45) **Date of Patent:** **\*\* Feb. 5, 2013**

(54) **TRASH CAN**  
(75) Inventors: **Frank Yang**, Rancho Palos Verdes, CA (US); **Tzu-Hao Wei**, Hacienda Heights, CA (US); **Di-Fong Chang**, Torrance, CA (US); **Myk Lum**, Irvine, CA (US); **Adam Wade**, Rancho Santa Margarita, CA (US)  
(73) Assignee: **simplehuman, LLC**, Torrance, CA (US)

4,189,808 A 2/1980 Brown  
4,200,197 A 4/1980 Meyer et al.  
4,217,616 A 8/1980 Jessup  
4,303,174 A 12/1981 Anderson  
4,320,851 A 3/1982 Montoya  
4,357,740 A 11/1982 Brown  
4,416,197 A 11/1983 Kehl  
4,457,483 A 7/1984 Gagne  
4,535,911 A 8/1985 Goulter  
4,570,304 A 2/1986 Montreuil et al.  
(Continued)

(\*\*) Term: **14 Years**  
(21) Appl. No.: **29/411,491**

FOREIGN PATENT DOCUMENTS

AU 622536 4/1992  
DE 1610087 6/1950  
(Continued)

(22) Filed: **Jan. 20, 2012**  
(51) **LOC (9) Cl.** ..... **09-09**  
(52) **U.S. Cl.** ..... **D34/7**  
(58) **Field of Classification Search** ..... D34/1,  
D34/7, 5, 6, 9, 10, 11; 220/908, 908.1, 913  
See application file for complete search history.

OTHER PUBLICATIONS

U.S. Appl. No. 29/411,482, filed Jan. 20, 2012, Yang et al.  
U.S. Appl. No. 29/411,490, filed Jan. 20, 2012, Yang et al.  
U.S. Appl. No. 13/417,084, filed Mar. 9, 2012, Yang et al.  
Trento Corner 23 Trash Can, Hailo product brochure, [http://www.hailo.de/html/default.asp?site=12\\_71\\_107&lang=en](http://www.hailo.de/html/default.asp?site=12_71_107&lang=en) (accessed May 13, 2008).

(56) **References Cited**

U.S. PATENT DOCUMENTS

1,426,211 A 8/1922 Pausin  
1,461,253 A 7/1923 Owen  
1,820,555 A 8/1931 Buschman  
1,891,651 A 12/1932 Padelford et al.  
1,922,729 A 8/1933 Giebel  
1,980,938 A 11/1934 Geibel  
D148,825 S 2/1948 Snider  
2,457,274 A 12/1948 Rifken  
2,759,625 A 8/1956 Ritter  
2,888,307 A 5/1959 Graves et al.  
2,946,474 A 7/1960 Knapp  
3,008,604 A 11/1961 Garner  
3,023,922 A 3/1962 Arrington et al.  
3,654,534 A 4/1972 Fischer  
3,820,200 A 6/1974 Myers  
3,825,150 A 7/1974 Taylor  
3,825,215 A 7/1974 Borglum  
3,886,425 A 5/1975 Weiss  
3,891,115 A 6/1975 Ono  
4,014,457 A 3/1977 Hodge  
4,027,774 A 6/1977 Cote  
4,081,105 A 3/1978 Dagonnet et al.

Primary Examiner — Cynthia Ramirez

(74) *Attorney, Agent, or Firm* — Knobbe, Martens, Olson & Bear, LLP

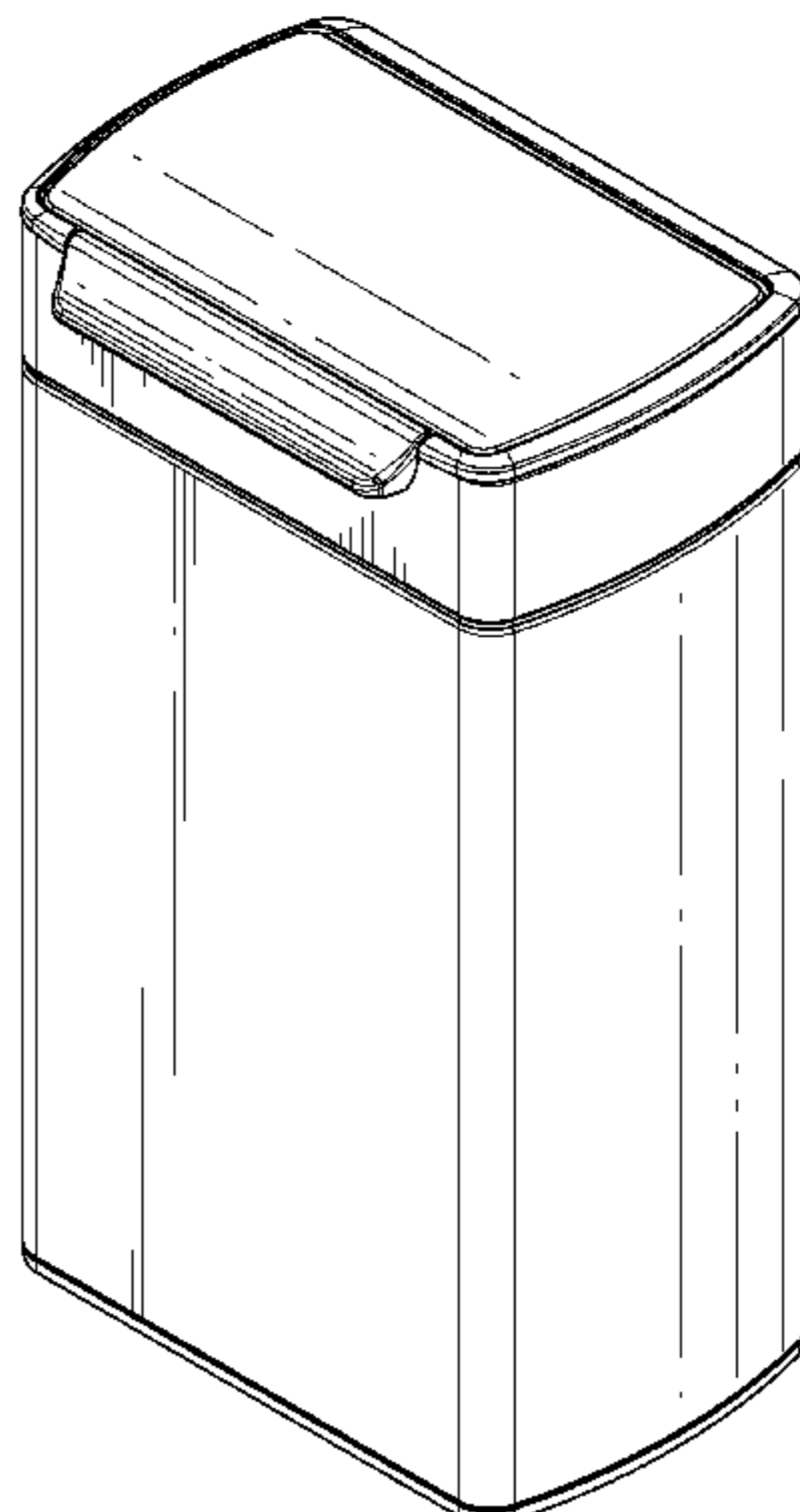
(57) **CLAIM**

The ornamental design for a trash can, as shown and described.

**DESCRIPTION**

FIG. 1 is a top, front, left-side perspective view of a trash can embodying our design;  
FIG. 2 is a front elevation view thereof;  
FIG. 3 is a rear elevation view thereof;  
FIG. 4 is a left-side elevation view thereof, the right-side elevation view being a mirror image of the right-side elevation view;  
FIG. 5 is a top plan view thereof; and,  
FIG. 6 is a bottom plan view thereof.  
All features illustrated in broken lines form no part of the claimed subject matter.

**1 Claim, 6 Drawing Sheets**



# US D675,803 S

Page 2

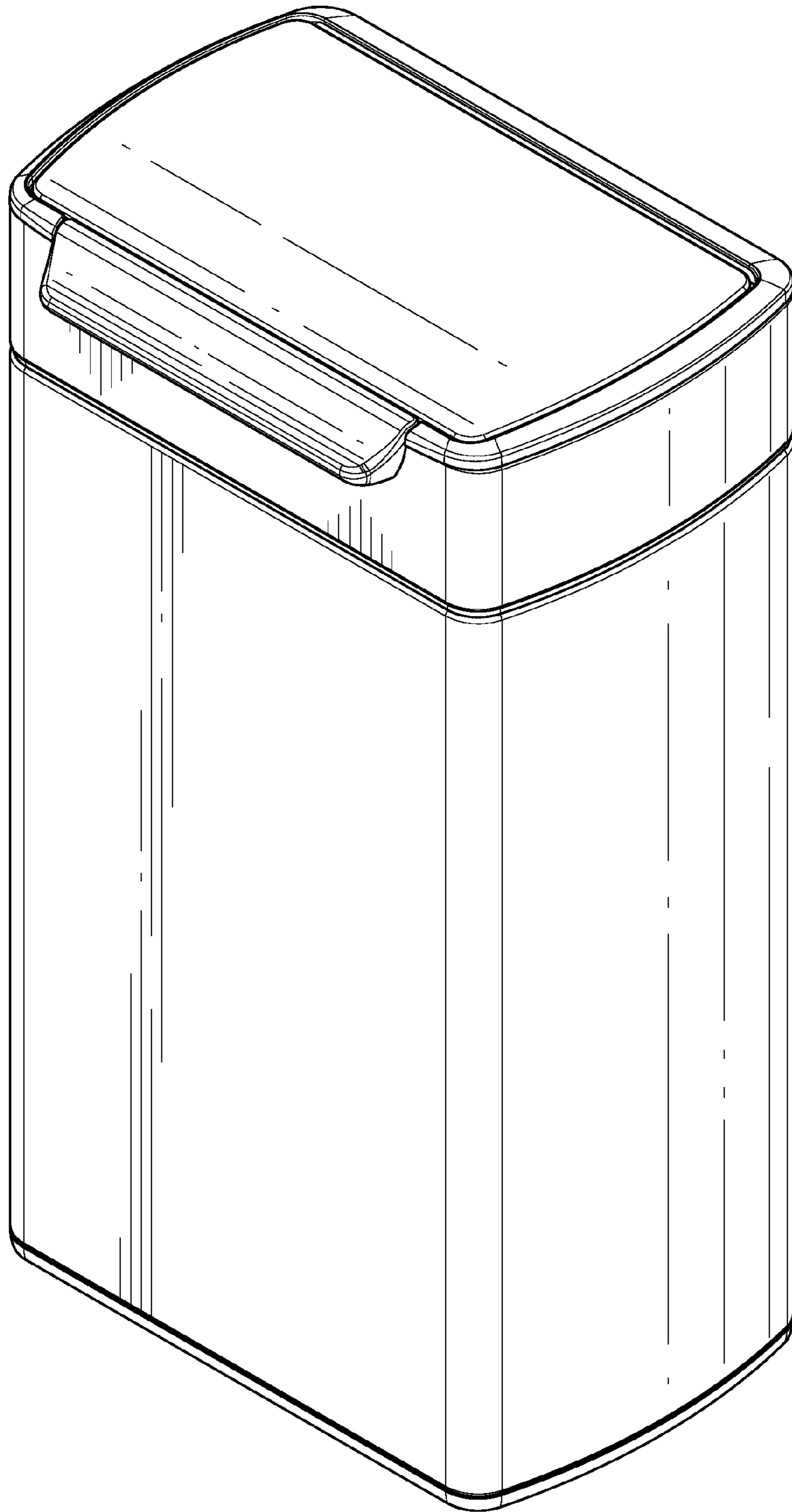
U.S. PATENT DOCUMENTS							
4,576,310	A	3/1986	Isgar et al.	5,704,511	A	1/1998	Kellams
D284,320	S	6/1986	Kubic et al.	5,724,837	A	3/1998	Shin
4,609,117	A	9/1986	Pamment	5,730,312	A	3/1998	Hung
4,630,332	A	12/1986	Bisbing	5,732,845	A	3/1998	Armaly, Jr.
4,664,347	A	5/1987	Brown et al.	5,735,495	A	4/1998	Kubota
4,697,312	A	10/1987	Freyer	5,738,239	A	4/1998	Triglia
4,711,161	A	12/1987	Swin et al.	5,799,909	A	9/1998	Ziegler
4,729,490	A	3/1988	Ziegenbein	5,816,431	A	10/1998	Giannopoulos
4,753,367	A	6/1988	Miller et al.	5,816,640	A	10/1998	Nishimura
4,763,808	A	8/1988	Guhl et al.	D401,719	S	11/1998	Van Leeuwen et al.
4,765,548	A	8/1988	Sing	5,873,643	A	2/1999	Burgess, Jr. et al.
4,765,579	A	8/1988	Robbins et al.	5,881,896	A	3/1999	Presnell et al.
4,792,039	A	12/1988	Dayton	5,881,901	A	3/1999	Hampton
4,794,973	A	1/1989	Perisic	5,884,237	A	3/1999	Kanki et al.
4,834,260	A	5/1989	Auten	5,887,748	A	3/1999	Nguyen
4,867,339	A	9/1989	Hahn	5,967,392	A	10/1999	Niemi et al.
4,884,717	A	12/1989	Bussard et al.	5,987,708	A	11/1999	Newton
4,892,224	A	1/1990	Graham	6,000,569	A	12/1999	Liu
4,913,308	A	4/1990	Culbertson	6,010,024	A	1/2000	Wang
4,918,568	A	4/1990	Stone et al.	6,024,238	A	2/2000	Jaros
4,923,087	A	5/1990	Burrows	6,036,050	A	3/2000	Ruane
4,948,004	A	8/1990	Chich	6,102,239	A	8/2000	Wien
4,964,523	A	10/1990	Bieltvedt et al.	6,123,215	A	9/2000	Windle
4,972,966	A	11/1990	Craft, Jr.	D431,700	S	10/2000	Roudebush
4,996,467	A	2/1991	Day	6,126,031	A	10/2000	Reason
5,031,793	A	7/1991	Chen et al.	6,129,233	A	10/2000	Schiller
5,054,724	A	10/1991	Hutcheson	D435,951	S	1/2001	Yang et al.
5,065,272	A	11/1991	Owen et al.	6,209,744	B1	4/2001	Gill
5,065,891	A	11/1991	Casey	6,211,637	B1	4/2001	Studer
5,090,785	A	2/1992	Stamp	6,234,339	B1	5/2001	Thomasd
5,100,087	A	3/1992	Ashby	6,250,492	B1	6/2001	Verbeek
5,111,958	A	5/1992	Witthoeft	D445,980	S	7/2001	Tjugum
D327,760	S	7/1992	Donnelly	6,286,706	B1	9/2001	Tucker
D329,929	S	9/1992	Knoedler et al.	6,328,320	B1	12/2001	Walski et al.
5,147,055	A	9/1992	Sampson et al.	6,345,725	B1	2/2002	Lin
5,156,290	A	10/1992	Rodrigues	6,364,147	B1	4/2002	Meinzinger et al.
5,170,904	A	12/1992	Neuhaus	6,386,386	B1	5/2002	George
5,174,462	A	12/1992	Hames	6,390,321	B1	5/2002	Wang
D335,562	S	5/1993	Evans	6,401,958	B1	6/2002	Foss et al.
5,213,272	A	5/1993	Gallagher et al.	6,519,130	B1	2/2003	Breslow
5,222,704	A	6/1993	Light	6,557,716	B1	5/2003	Chan
5,226,558	A	7/1993	Whitney et al.	6,596,983	B2	7/2003	Brent
5,230,525	A	7/1993	Delmerico et al.	6,626,316	B2	9/2003	Yang
5,242,074	A	9/1993	Conaway et al.	6,626,317	B2	9/2003	Pfiefer et al.
D340,333	S	10/1993	Duran et al.	D482,169	S	11/2003	Lin
5,249,693	A	10/1993	Gillispie et al.	6,659,407	B2	12/2003	Asaro
5,261,553	A	11/1993	Mueller et al.	6,681,950	B2	1/2004	Miller, Jr. et al.
5,314,151	A	5/1994	Carter-Mann	D488,604	S	4/2004	Yang et al.
5,322,179	A	6/1994	Ting	D488,903	S	4/2004	Yang et al.
5,348,222	A	9/1994	Patey	D489,503	S	5/2004	Lin
5,381,588	A	1/1995	Nelson	D489,857	S	5/2004	Yang et al.
5,385,258	A	1/1995	Sutherlin	D490,583	S	5/2004	Yang et al.
5,390,818	A	2/1995	LaBuda	D490,954	S	6/2004	Brand
5,404,621	A	4/1995	Heinke	D491,706	S	6/2004	Yang et al.
5,407,089	A	4/1995	Bird et al.	6,758,366	B2	7/2004	Bourgund et al.
5,419,452	A	5/1995	Mueller et al.	D493,930	S	8/2004	Wang
5,471,708	A	12/1995	Lynch	D494,723	S	8/2004	Lin
5,474,201	A	12/1995	Liu	6,812,655	B1	11/2004	Wang et al.
5,501,358	A	3/1996	Hobday	6,814,249	B2	11/2004	Lin
5,520,067	A	5/1996	Gabas	6,837,393	B1	1/2005	Kuo
5,531,348	A	7/1996	Baker et al.	6,857,538	B2	2/2005	Lin
5,535,913	A	7/1996	Asbach et al.	6,859,005	B2	2/2005	Boliver
5,558,254	A	9/1996	Anderson et al.	D503,021	S	3/2005	Yang et al.
D377,554	S	1/1997	Adriaansen	6,866,826	B2	3/2005	Moore et al.
5,611,507	A	3/1997	Smith	6,883,676	B2	4/2005	Lin
5,628,424	A	5/1997	Gola	D507,090	S	7/2005	Yang et al.
5,632,401	A	5/1997	Hurd	6,920,994	B2	7/2005	Lin
5,636,416	A	6/1997	Anderson	D513,445	S	1/2006	Lin
5,644,111	A	7/1997	Cerny et al.	6,981,606	B2	1/2006	Yang et al.
5,645,186	A	7/1997	Powers et al.	D517,764	S	3/2006	Wang
5,650,680	A	7/1997	Chula	D517,767	S	3/2006	Yang et al.
D383,277	S	9/1997	Peters	D518,266	S	3/2006	Yang et al.
5,662,235	A	9/1997	Nieto	7,017,773	B2	3/2006	Gruber et al.
5,690,247	A	11/1997	Boover	7,044,323	B2	5/2006	Yang
5,695,088	A	12/1997	Kasbohm	D525,756	S	7/2006	Yang et al.
5,699,929	A	12/1997	Ouno	7,077,283	B2	7/2006	Yang et al.
D388,922	S	1/1998	Peters	7,080,750	B2	7/2006	Wein et al.
D389,631	S	1/1998	Peters	7,086,550	B2	8/2006	Yang et al.
				D528,726	S	9/2006	Lin

# US D675,803 S

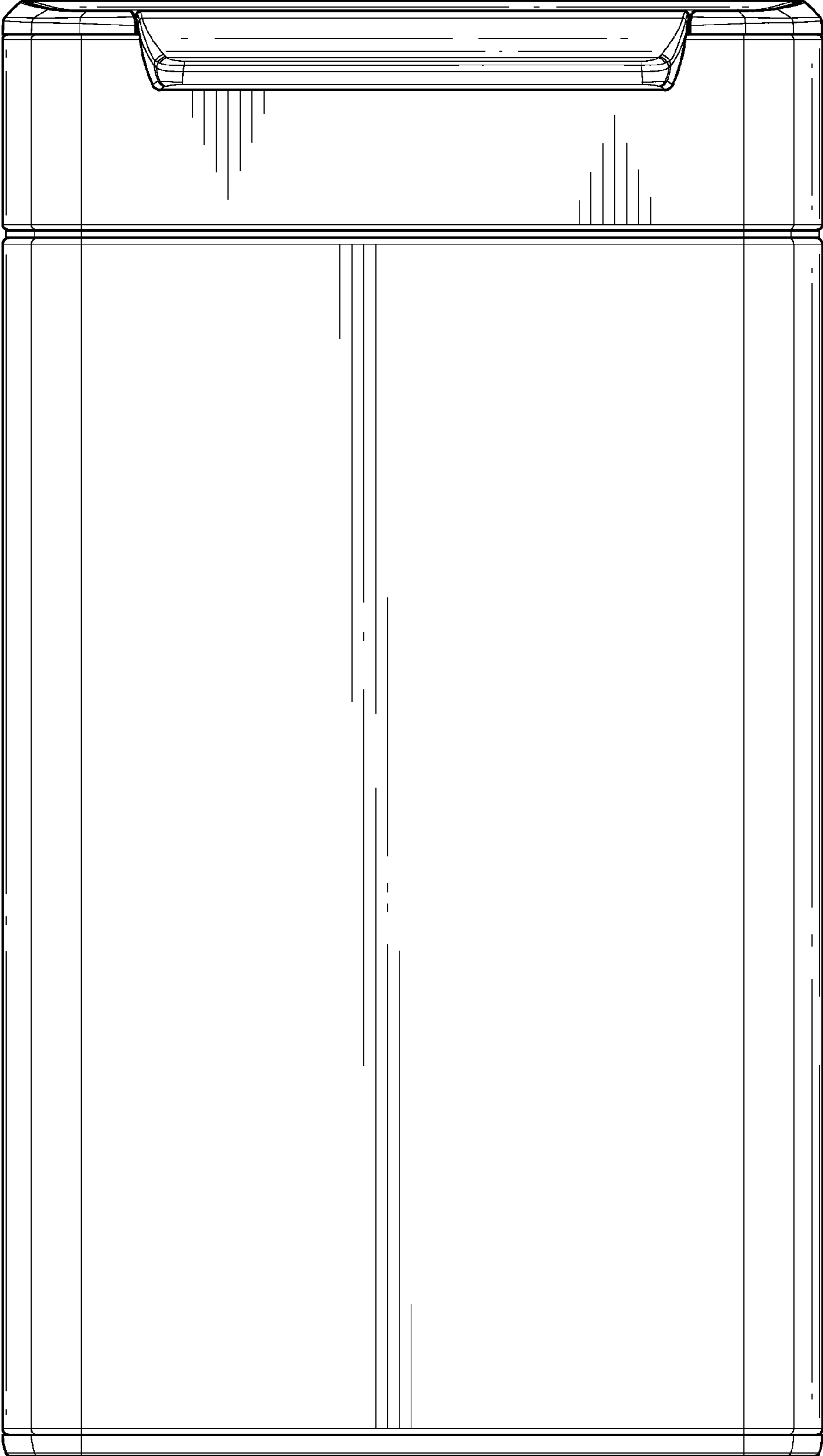
7,121,421 B2	10/2006	Yang et al.	2004/0200938 A1	10/2004	Forlivio
D535,799 S	1/2007	Epps	2004/0206758 A1	10/2004	Lin
D535,800 S	1/2007	Yang et al.	2004/0206760 A1	10/2004	Gagnebin
D537,223 S	2/2007	Lin	2004/0251746 A1	12/2004	Ichimaru et al.
D537,599 S	2/2007	Lin	2005/0017006 A1	1/2005	Kuo
D537,601 S	2/2007	Lin	2005/0017010 A1	1/2005	Siegel et al.
D537,999 S	3/2007	Lin	2005/0258794 A1	11/2005	Fukuizumi
D538,995 S	3/2007	Lin	2006/0027579 A1	2/2006	Yang et al.
D539,498 S	3/2007	Yang et al.	2006/0175336 A1	8/2006	Wang
D539,499 S	3/2007	Yang et al.	2006/0186121 A1	8/2006	Yang et al.
D540,001 S	4/2007	Zimmerman	2006/0196874 A1	9/2006	Yang
D542,001 S	5/2007	Yang et al.	2006/0249510 A1	11/2006	Lin
D544,170 S	6/2007	Lin	2007/0034334 A1	2/2007	Ramsey et al.
D544,171 S	6/2007	Lin	2007/0090112 A1	4/2007	Kalman et al.
D544,671 S	6/2007	Saunders et al.	2007/0114847 A1	5/2007	Ichimaru et al.
D545,024 S	6/2007	Liao	2007/0181579 A1	8/2007	Kuo et al.
7,225,943 B2	6/2007	Yang et al.	2007/0241109 A1	10/2007	Lin
D547,020 S	7/2007	Chen	2007/0266637 A1	11/2007	McGowan
7,243,811 B1	7/2007	Ramsey	2007/0272691 A1	11/2007	Wang et al.
D550,918 S	9/2007	Wang et al.	2007/0289972 A1	12/2007	Wynn et al.
D552,823 S	10/2007	Yang et al.	2008/0011754 A1	1/2008	Ramsey
D552,824 S	10/2007	Zimmerman	2008/0011910 A1	1/2008	Ramsey
D552,825 S	10/2007	Yang et al.	2008/0083756 A1	4/2008	Daniels
D559,494 S	1/2008	Yang et al.	2008/0164257 A1	7/2008	Boll et al.
D559,495 S	1/2008	Yang et al.	2008/0236275 A1	10/2008	Breed et al.
D564,169 S	3/2008	Wang	2008/0237234 A1	10/2008	Yang et al.
D566,367 S	4/2008	Lin	2008/0257889 A1	10/2008	Kovacevich et al.
D566,369 S	4/2008	Shek	2008/0257890 A1	10/2008	Kovacevich et al.
D566,923 S	4/2008	Lin	2008/0257891 A1	10/2008	Kovacevich et al.
7,374,060 B2	5/2008	Yang et al.	2008/0264948 A1	10/2008	Kovacevich et al.
D571,520 S	6/2008	Lin	2008/0264950 A1	10/2008	Kovacevich et al.
7,404,499 B1	7/2008	Ramsey	2008/0272127 A1	11/2008	Kovacevich et al.
D576,371 S	9/2008	Zimmerman	2009/0084788 A1	4/2009	Yang et al.
D578,266 S	10/2008	Yang et al.	2009/0194532 A1	8/2009	Yang et al.
D578,722 S	10/2008	Yang et al.	2009/0230131 A1	9/2009	McDuffie et al.
7,438,199 B1	10/2008	Tidrick	2010/0224627 A1	9/2010	Yang et al.
D580,120 S	11/2008	Lin	2010/0237074 A1	9/2010	Yang et al.
D580,613 S	11/2008	Yang et al.	2011/0220646 A1	9/2011	Yang et al.
D580,615 S	11/2008	Yang et al.	2011/0220647 A1	9/2011	Yang et al.
D585,618 S	1/2009	Yang et al.	2011/0220648 A1	9/2011	Yang et al.
7,494,021 B2	2/2009	Yang et al.	2011/0220655 A1	9/2011	Yang et al.
7,540,396 B2	6/2009	Yang et al.			
7,559,433 B2	7/2009	Yang et al.			
D603,119 S *	10/2009	Yang et al. .... D34/7			
7,656,109 B2	2/2010	Yang et al.	DE	1283741	7/1966
D611,216 S	3/2010	Yang et al.	DE	8436939	3/1985
D611,671 S	3/2010	Yang et al.	DE	9108341	10/1991
7,694,838 B2	4/2010	Yang et al.	DE	4225936 A1	2/1994
7,703,622 B1	4/2010	Bynoe	DE	19525885	3/1997
D615,722 S	5/2010	Yang et al.	DE	19809331	5/1999
7,748,556 B2	7/2010	Yang et al.	DE	29918687	3/2000
7,781,995 B2	8/2010	Yang et al.	DE	19933180	1/2001
D631,221 S	1/2011	Yang et al.	DE	10148997	4/2003
D632,864 S	2/2011	Yang et al.	DE	20217561	3/2004
D634,911 S	3/2011	Yang et al.	EP	0582240	7/1993
7,896,187 B2	3/2011	Haibel	EP	0906876	4/1999
7,922,024 B2	4/2011	Yang et al.	EP	1094017	4/2001
7,950,543 B2	5/2011	Yang et al.	EP	1361176	11/2003
D644,390 S	8/2011	Smeets et al.	EP	1136393	4/2004
8,074,833 B2	12/2011	Yang et al.	EP	1686073	8/2006
8,136,688 B2	3/2012	Lee et al.	FR	2887152	12/2006
D657,108 S	4/2012	Yang et al.	GB	2384418	7/2003
D657,109 S	4/2012	Liao	JP	02 152670	6/1990
2001/0002690 A1	6/2001	Rosky	JP	06-272888	9/1994
2001/0020619 A1	9/2001	Pfeifer et al.	JP	D1300450	5/2007
2002/0092853 A1	7/2002	Wang	JP	D1300451	5/2007
2002/0096524 A1	7/2002	Hardesty	KR	3003841370000	6/2005
2002/0104266 A1	8/2002	Ranaudo	KR	3004095430000	3/2006
2003/0089719 A1	5/2003	Berger	KR	3004095430001	7/2006
2003/0230576 A1	12/2003	Lin	NL	6908550	12/1970
2004/0016756 A1	1/2004	Lin	TW	D112733	9/2006
2004/0134924 A1	7/2004	Hansen et al.	TW	D133382	2/2010
2004/0140782 A1	7/2004	Okabe et al.	WO	WO 92/02430	2/1992
2004/0164077 A1	8/2004	Kuo	WO	WO 2006-079263	8/2006
2004/0174268 A1	9/2004	Scott et al.	WO	WO 2009/114495	9/2009
2004/0175303 A1	9/2004	Lin			

## FOREIGN PATENT DOCUMENTS

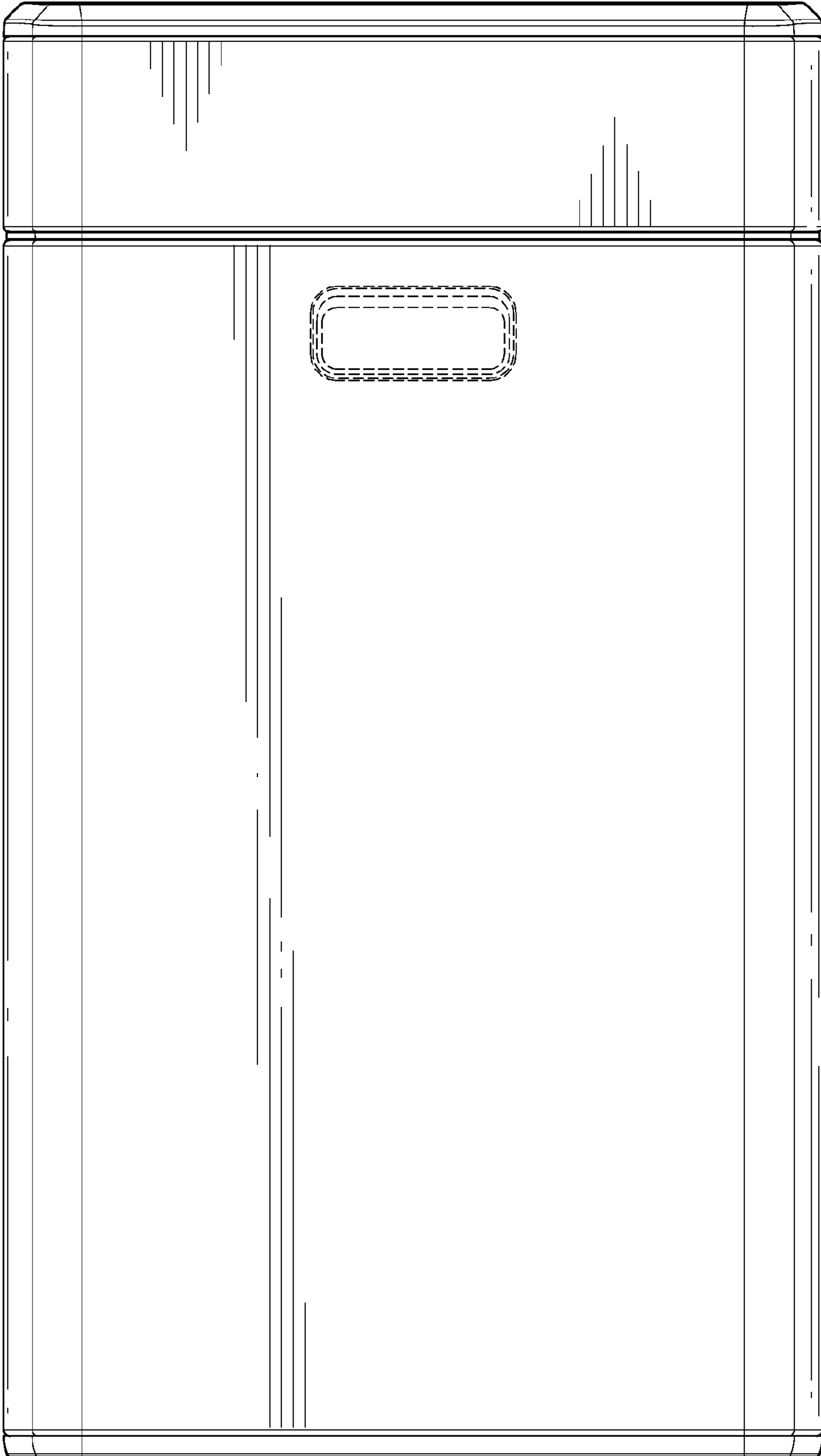
\* cited by examiner



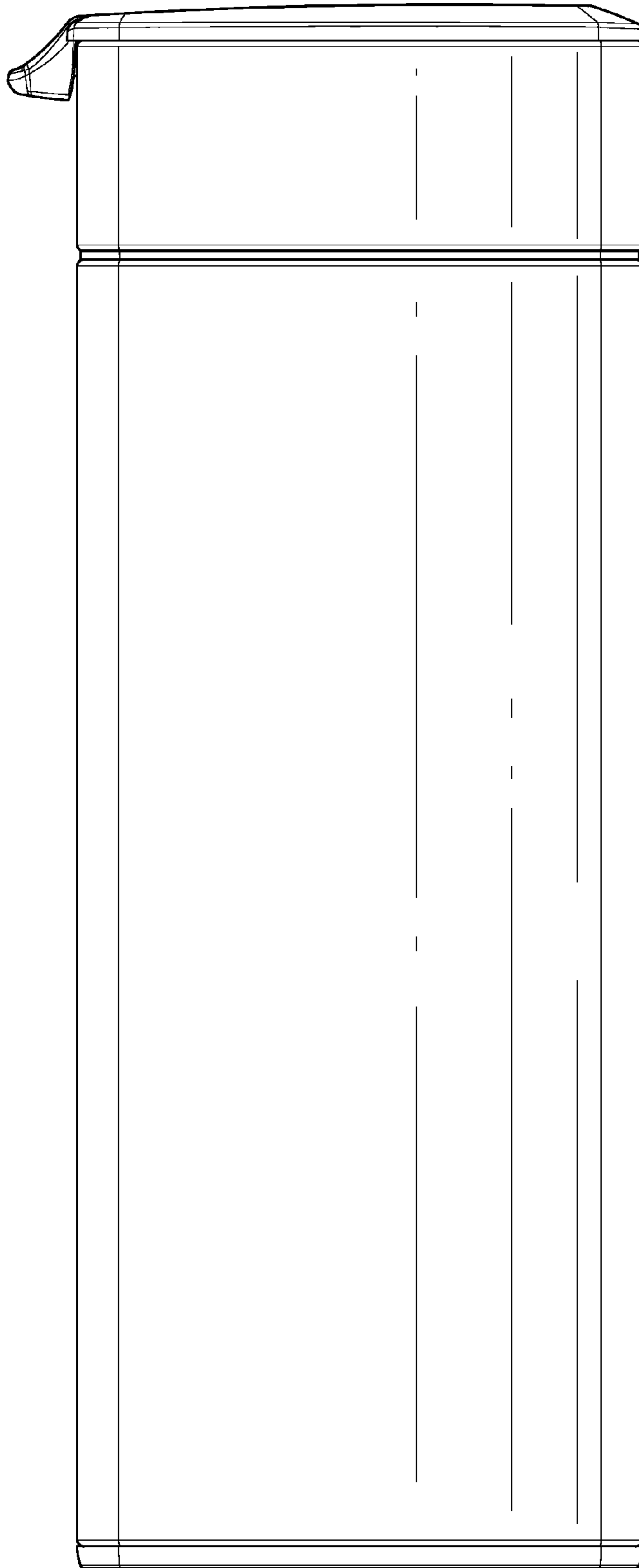
*FIG. 1*



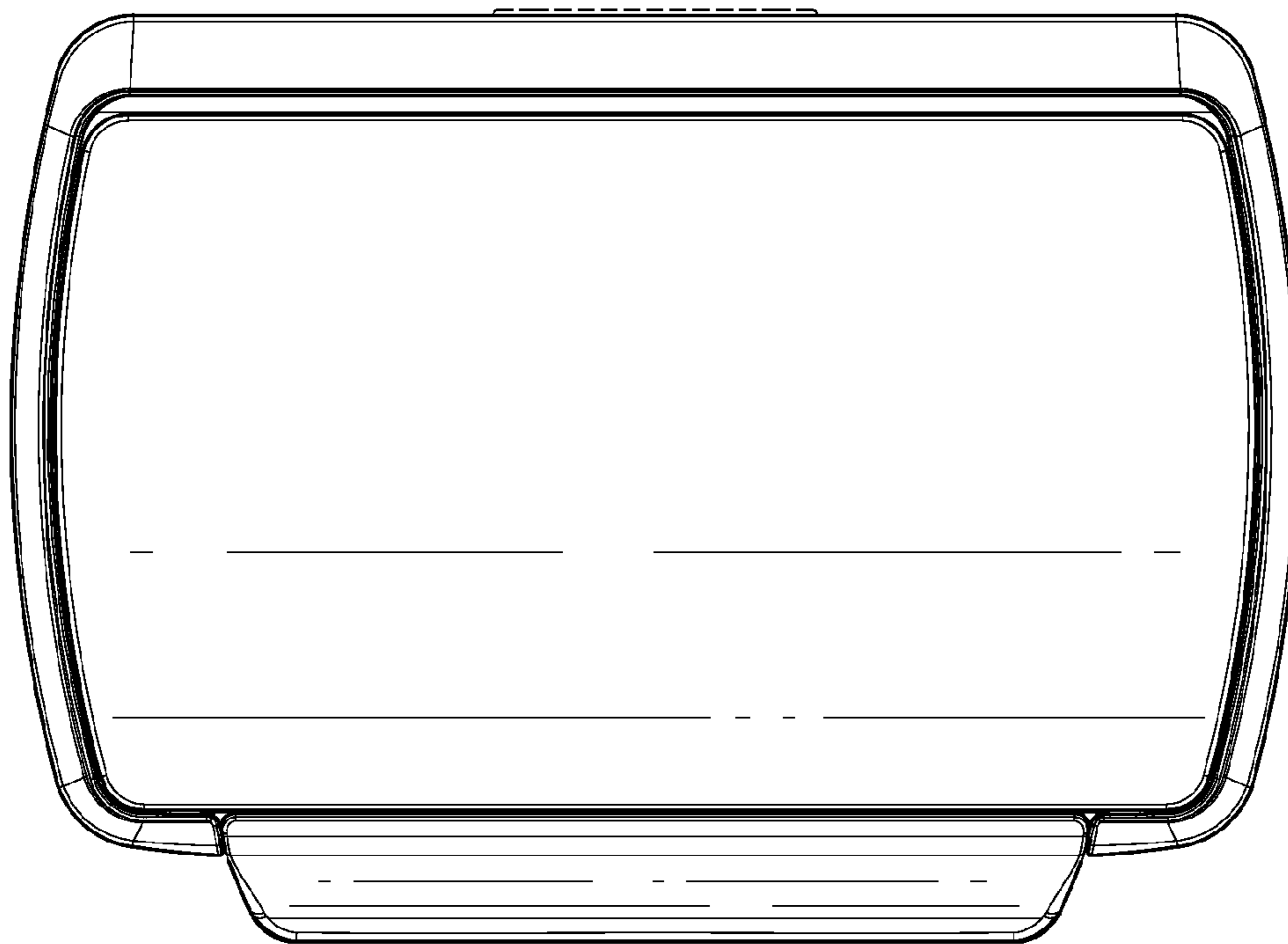
*FIG. 2*



*FIG. 3*

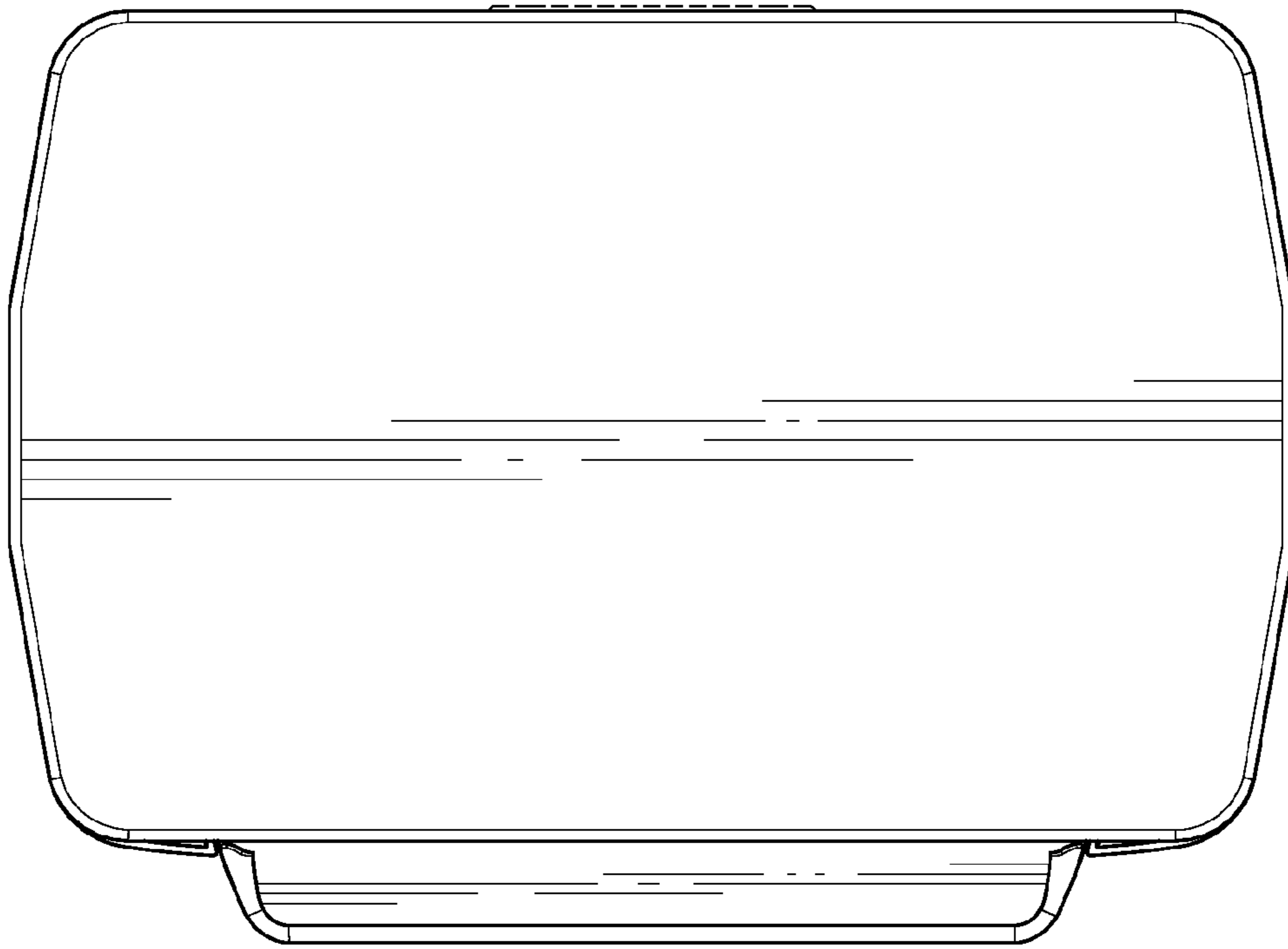


*FIG. 4*



*FIG. 5*





*FIG. 6*