



US00D675800S

(12) **United States Design Patent**
Cappolina

(10) **Patent No.:** **US D675,800 S**

(45) **Date of Patent:** **** Feb. 5, 2013**

(54) **SCOOPING TOOL**

(76) Inventor: **Joseph Cappolina**, Clementon, NJ (US)

(**) Term: **14 Years**

(21) Appl. No.: **29/369,385**

(22) Filed: **Sep. 8, 2010**

(51) **LOC (9) Cl.** **08-05**

(52) **U.S. Cl.** **D32/49; D8/45**

(58) **Field of Classification Search** D8/10,
D8/14, 45; D7/691; D30/162; D32/49;
15/236.01, 236.05, 236.07; 30/169; 294/49,
294/181; 366/129

See application file for complete search history.

(56) **References Cited**

U.S. PATENT DOCUMENTS

1,649,921	A *	11/1927	Paluck	403/198
1,883,726	A *	10/1932	Warren	30/169
2,122,767	A *	7/1938	Williams	15/104.001
D144,376	S *	4/1946	Getgey	D8/11
2,795,119	A *	6/1957	Bair	30/325
2,807,168	A *	9/1957	Wipf	73/427
2,935,758	A *	5/1960	Muscott	15/236.07
D248,819	S *	8/1978	Hare	D8/11
D262,686	S	1/1982	Anderson		
4,355,432	A *	10/1982	Storm, Jr.	15/245
4,380,840	A *	4/1983	Rieckenberg	15/105
D278,402	S *	4/1985	Reichard	D7/691
4,627,128	A	12/1986	Shea		
4,674,186	A *	6/1987	Galiano	30/169
4,987,635	A *	1/1991	Young	15/236.01
5,033,156	A *	7/1991	Stewart	15/236.05
D326,034	S *	5/1992	Kluesner	D7/688
D333,241	S *	2/1993	Elkins	D7/688
5,345,642	A *	9/1994	Faldetta	15/105
5,491,868	A *	2/1996	Baggenstos	15/236.09

5,555,592	A *	9/1996	Crego	15/236.07
5,624,145	A	4/1997	Swilley		
5,706,546	A	1/1998	Utley		
D391,131	S	2/1998	Lehn et al.		
5,799,997	A	9/1998	Lehn et al.		
D405,661	S	2/1999	Erickson		
5,875,515	A	3/1999	Dallas		
6,012,227	A	1/2000	Lent		
6,581,994	B2	6/2003	Stevenson		
D506,114	S	6/2005	Majeski		
D531,865	S *	11/2006	Lambertson, Jr.	D8/45
7,603,740	B2	10/2009	Goldsberry		
D638,267	S *	5/2011	Hague	D8/10
2011/0214243	A1 *	9/2011	Major	15/257.06

OTHER PUBLICATIONS

Marshalltown Bucket Scoop. Downloaded Sep. 26, 2011 at <http://www.walltools.com/store/marshalltown-bucket-scoop.html>.*

* cited by examiner

Primary Examiner — Philip S Hyder

Assistant Examiner — Roselynn Cody

(74) *Attorney, Agent, or Firm* — Norman E. Lehrer

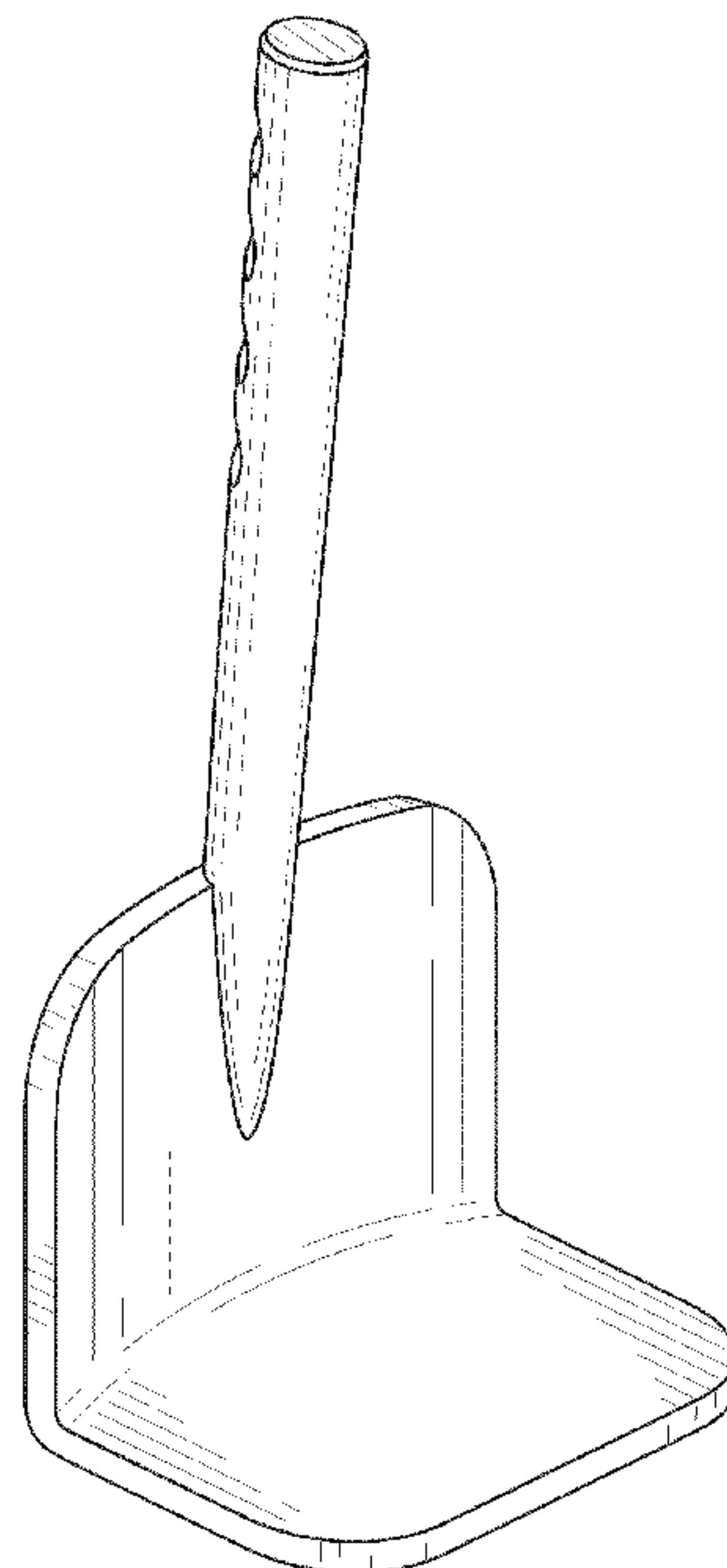
(57) **CLAIM**

The ornamental design for a scooping tool, as shown and described.

DESCRIPTION

FIG. 1 is a perspective view of the scooping tool in full lines. FIG. 2 is a front elevational view of the scooping tool. FIG. 3 is a rear elevational view thereof. FIG. 4 is the right side elevational view the left side view being a mirror image of the right side view. FIG. 5 is a top plan view thereof; and, FIG. 6 is a bottom plan view thereof.

1 Claim, 3 Drawing Sheets



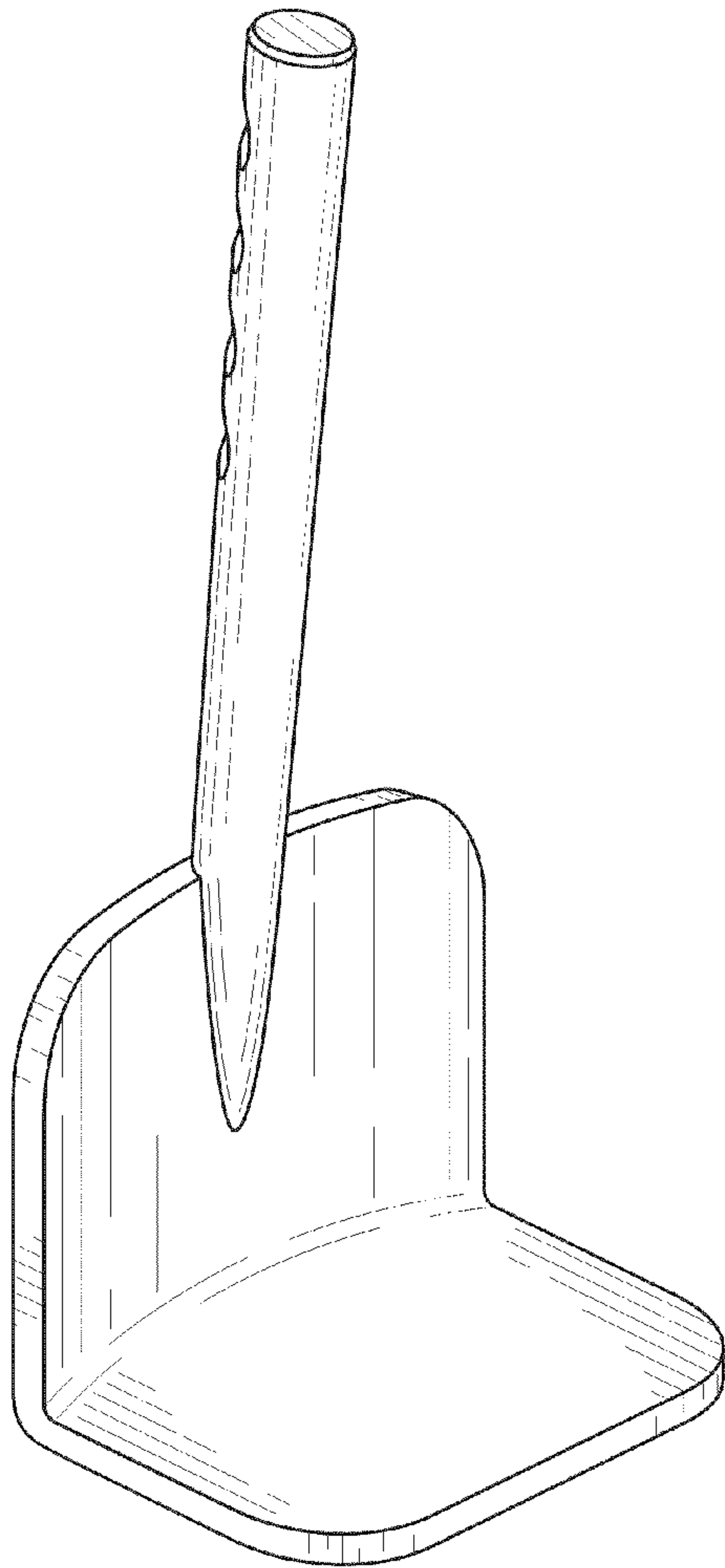


FIG. 1

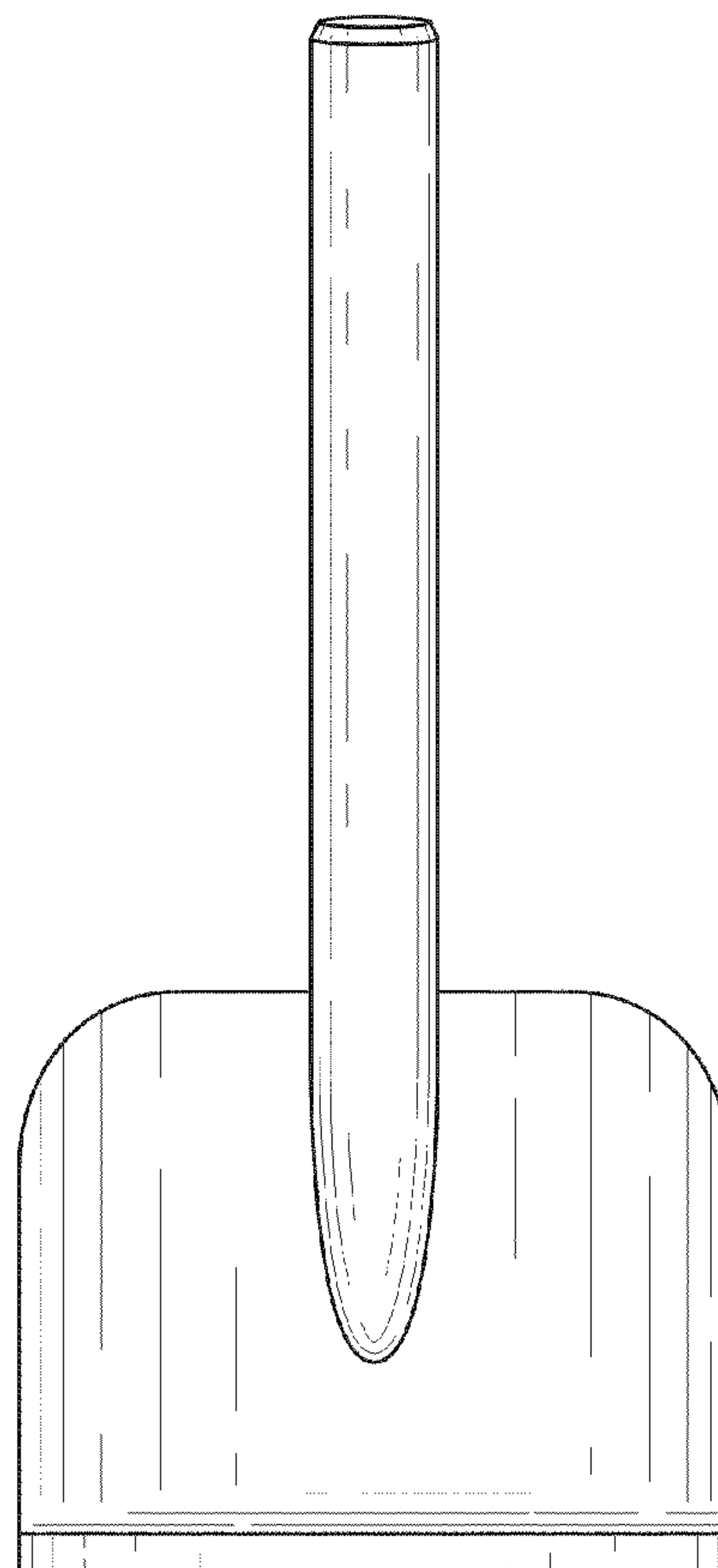


FIG. 2

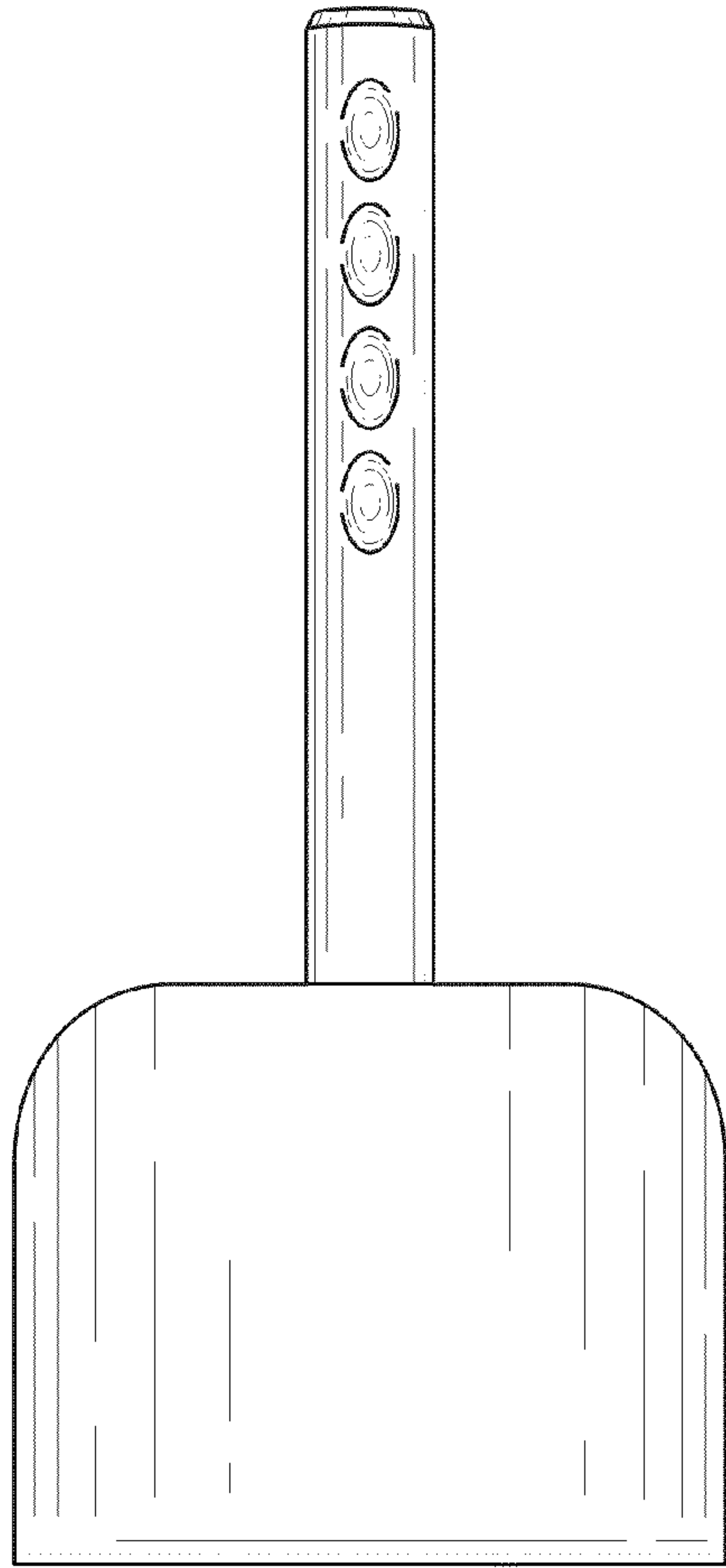


FIG. 3

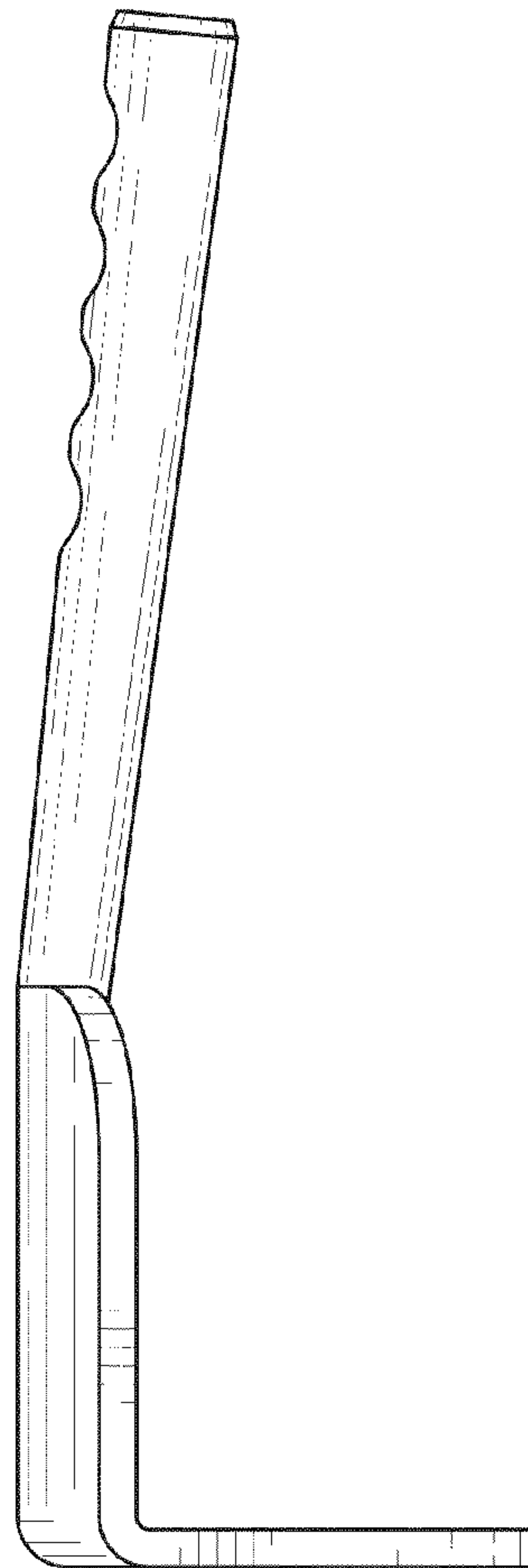


FIG. 4

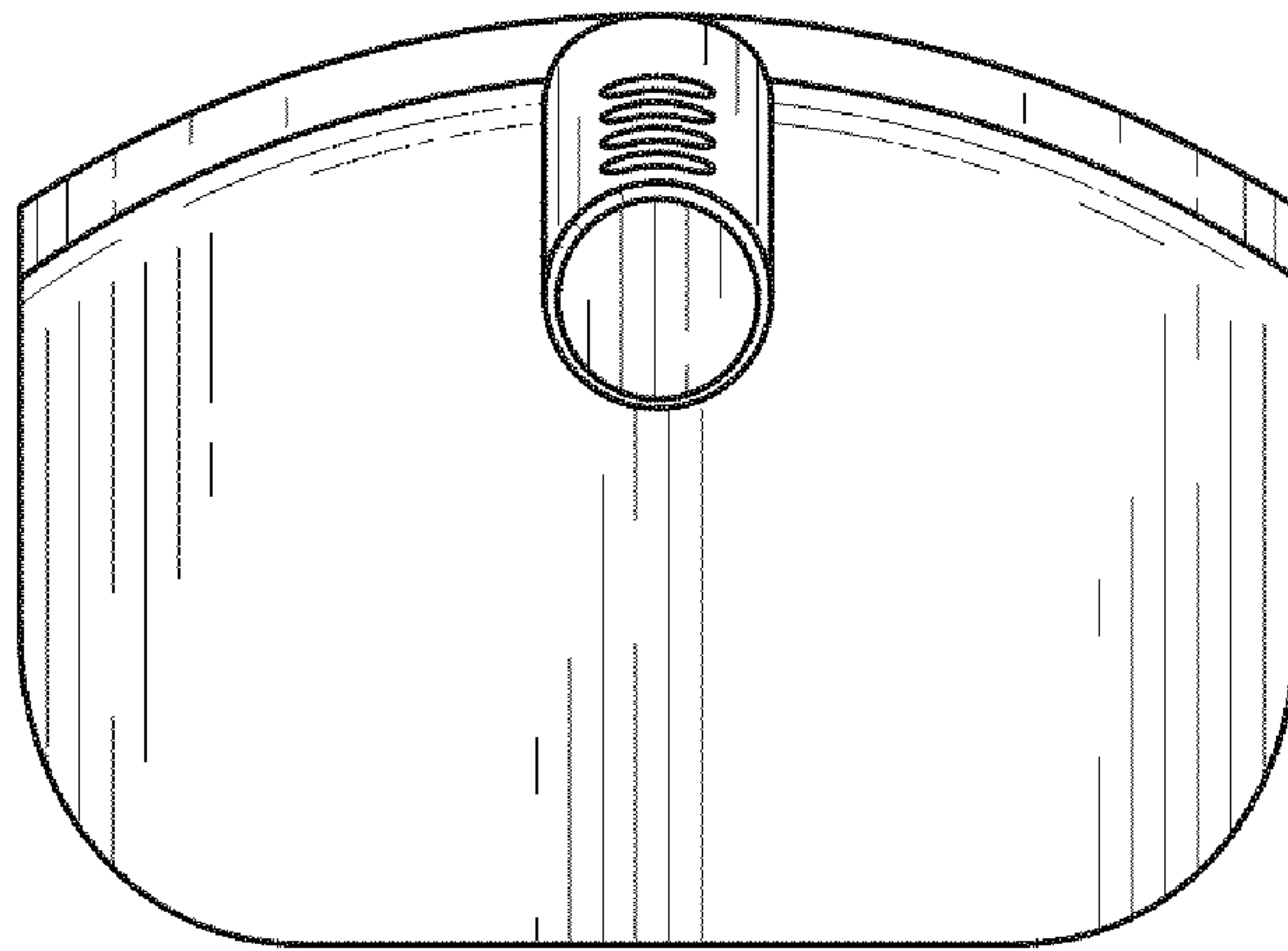


FIG. 5

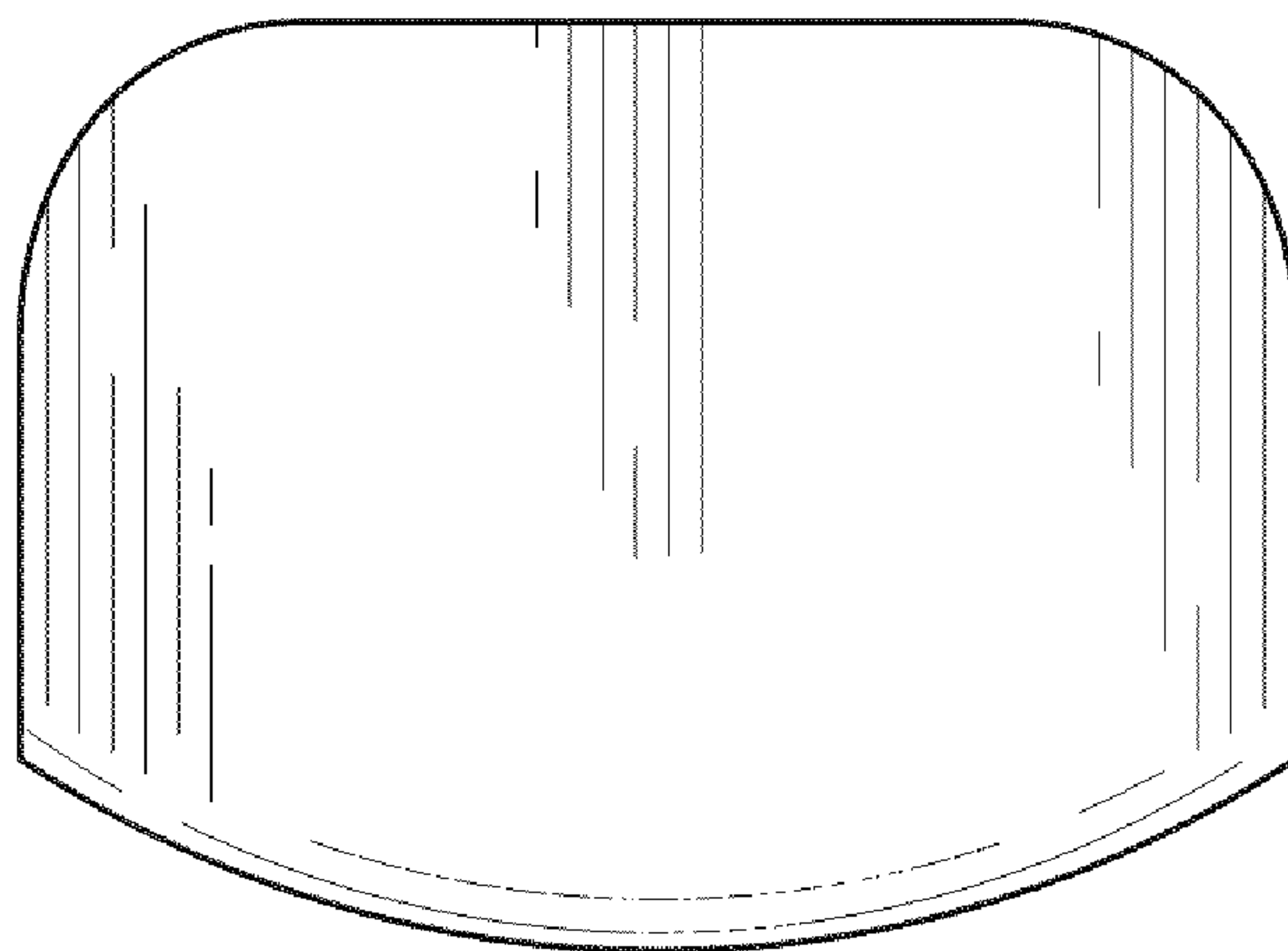


FIG. 6