



US00D675798S

(12) **United States Design Patent**
Dyson et al.

(10) **Patent No.:** **US D675,798 S**

(45) **Date of Patent:** **** Feb. 5, 2013**

(54) **VACUUM CLEANER**

(75) Inventors: **James Dyson**, Malmesbury (GB); **Peter David Gammack**, Malmesbury (GB); **Paul Barry Reid**, Malmesbury (GB)

(73) Assignee: **Dyson Limited**, Malmesbury, Wiltshire (GB)

(**) Term: **14 Years**

(21) Appl. No.: **29/399,364**

(22) Filed: **Aug. 12, 2011**

(30) **Foreign Application Priority Data**

Feb. 15, 2011 (EM) 001821695-0005

(51) **LOC (9) Cl.** **15-05**

(52) **U.S. Cl.** **D32/31**

(58) **Field of Classification Search** D32/22,
D32/31, 34; 15/347, 350-353, 410-412,
15/320, 414, 327.4, 340.1, 340.2, 329, 361-362,
15/415.1; 55/429, DIG. 3, 337; 301/7
See application file for complete search history.

(56) **References Cited**

U.S. PATENT DOCUMENTS

| | | | | | |
|-----------|------|---------|----------------|-------|----------|
| 2,686,330 | A * | 8/1954 | Wales | | 15/327.4 |
| 3,794,351 | A * | 2/1974 | Cudmore | | 280/204 |
| 4,058,344 | A * | 11/1977 | Dyson | | 301/7 |
| D454,994 | S * | 3/2002 | Harada et al. | | D32/21 |
| 6,536,073 | B2 * | 3/2003 | Uratani et al. | | 15/327.4 |
| D534,324 | S * | 12/2006 | Dyson et al. | | D32/22 |

| | | | | | |
|--------------|------|---------|-------------------|-------|----------|
| D544,156 | S * | 6/2007 | Dyson et al. | | D32/25 |
| D563,066 | S * | 2/2008 | Shevlin | | D32/31 |
| D588,762 | S * | 3/2009 | Dyson et al. | | D32/31 |
| D596,360 | S * | 7/2009 | Dyson et al. | | D32/22 |
| 7,823,251 | B2 * | 11/2010 | Dyson et al. | | 15/336 |
| 2008/0115313 | A1 * | 5/2008 | Dyson et al. | | 15/336 |
| 2008/0222840 | A1 * | 9/2008 | Worker et al. | | 15/415.1 |
| 2010/0242211 | A1 * | 9/2010 | Sunderland et al. | | 15/347 |
| 2010/0242220 | A1 * | 9/2010 | Dyson et al. | | 15/347 |
| 2011/0088195 | A1 * | 4/2011 | Dyson et al. | | 15/300.1 |
| 2011/0088205 | A1 * | 4/2011 | Dyson et al. | | 15/347 |

* cited by examiner

Primary Examiner — Ruth McInroy

(74) *Attorney, Agent, or Firm* — Morrison & Foerster LLP

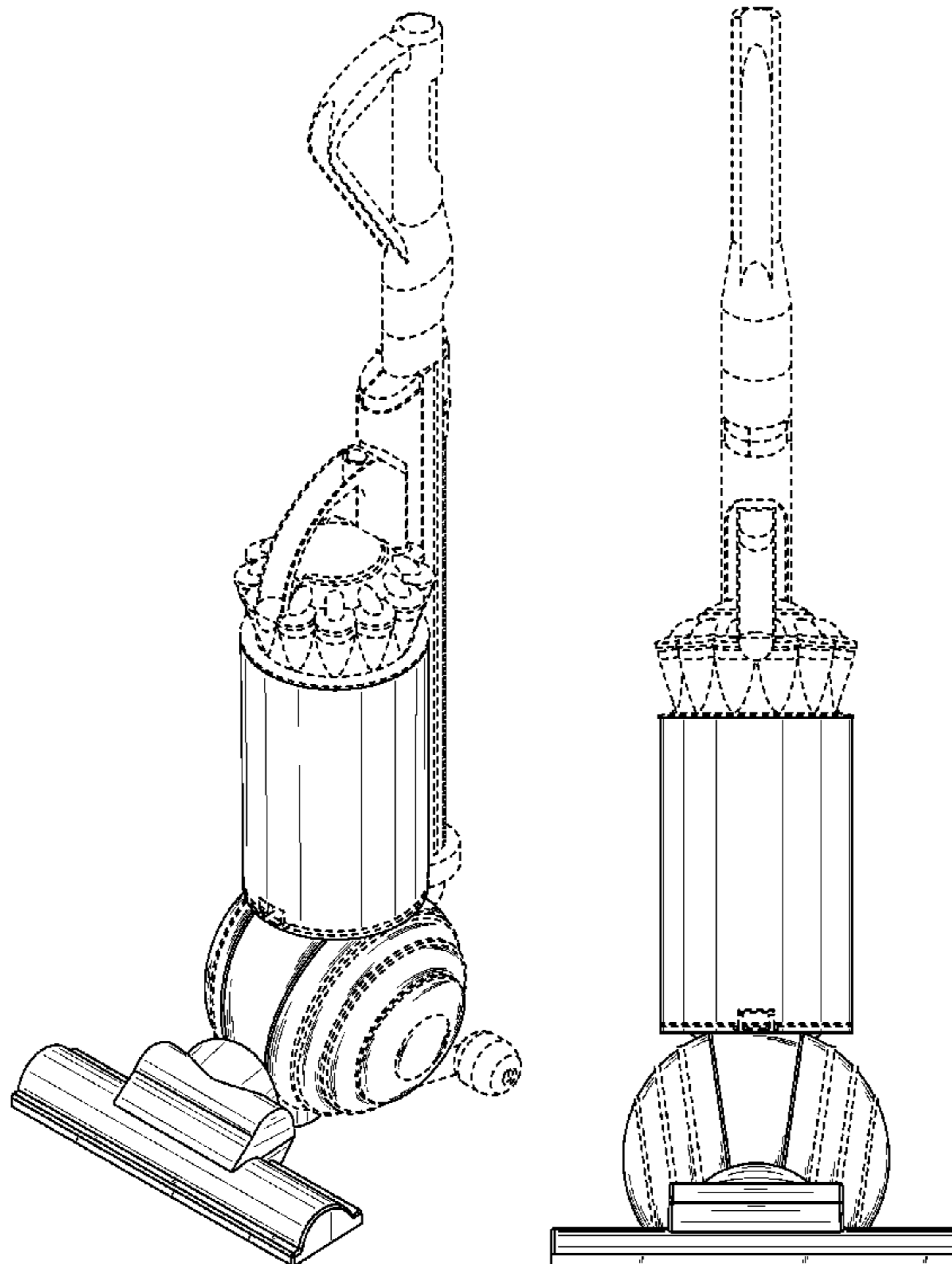
(57) **CLAIM**

We claim the ornamental design for a vacuum cleaner, as shown and described.

DESCRIPTION

FIG. 1 is a perspective view of a vacuum cleaner showing our new design;
FIG. 2 is a front view thereof;
FIG. 3 is a side view thereof;
FIG. 4 is a rear view thereof;
FIG. 5 is a side view from the side opposite that of FIG. 3;
FIG. 6 is a plan view thereof from above; and,
FIG. 7 is a plan view thereof from below.
The details shown in broken lines form no part of the claimed design.

1 Claim, 7 Drawing Sheets



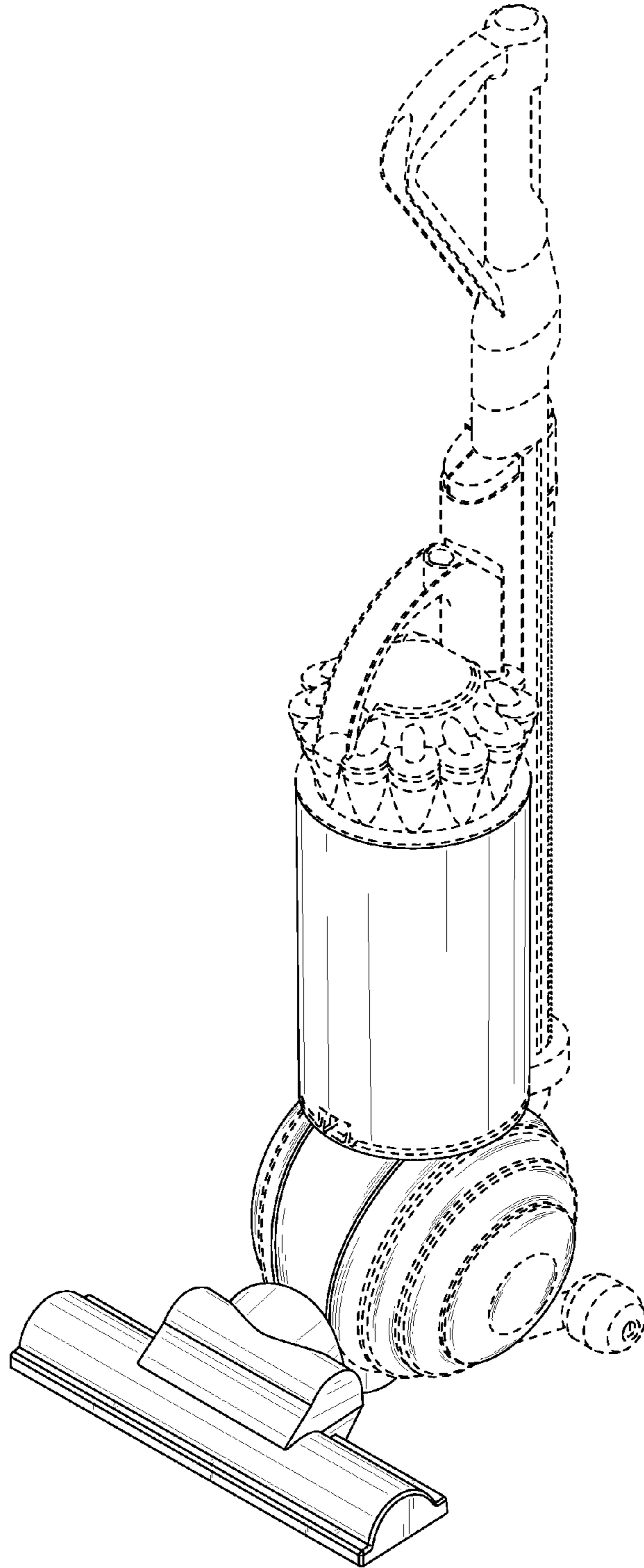


FIG. 1

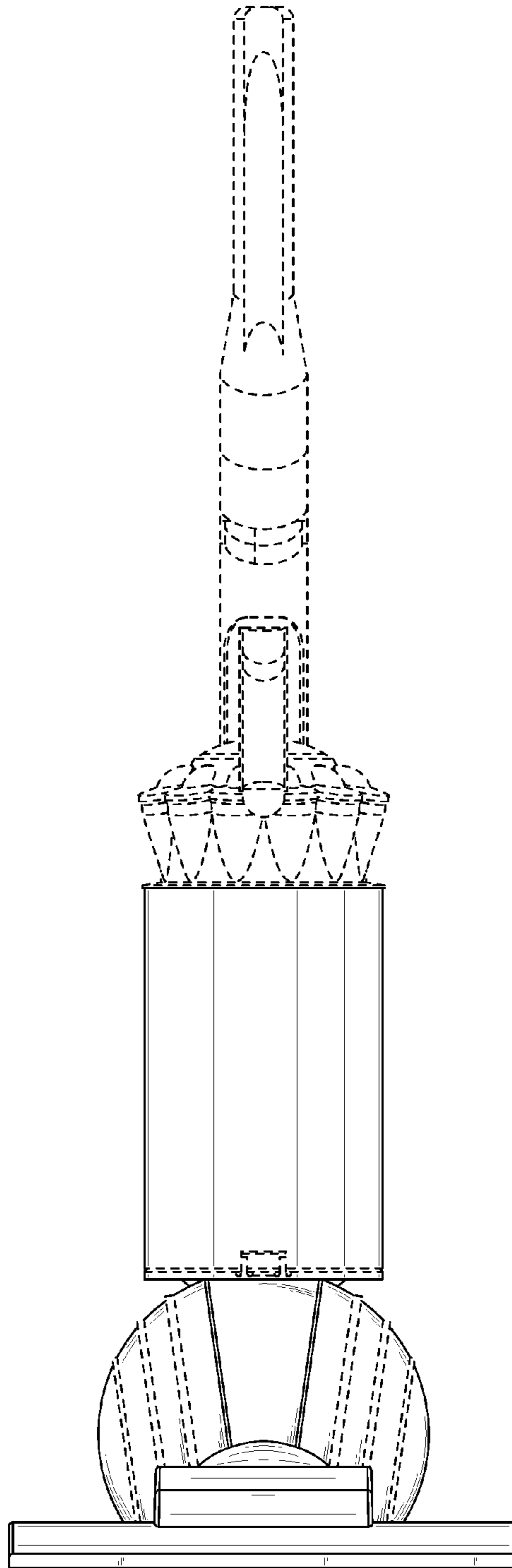


FIG. 2

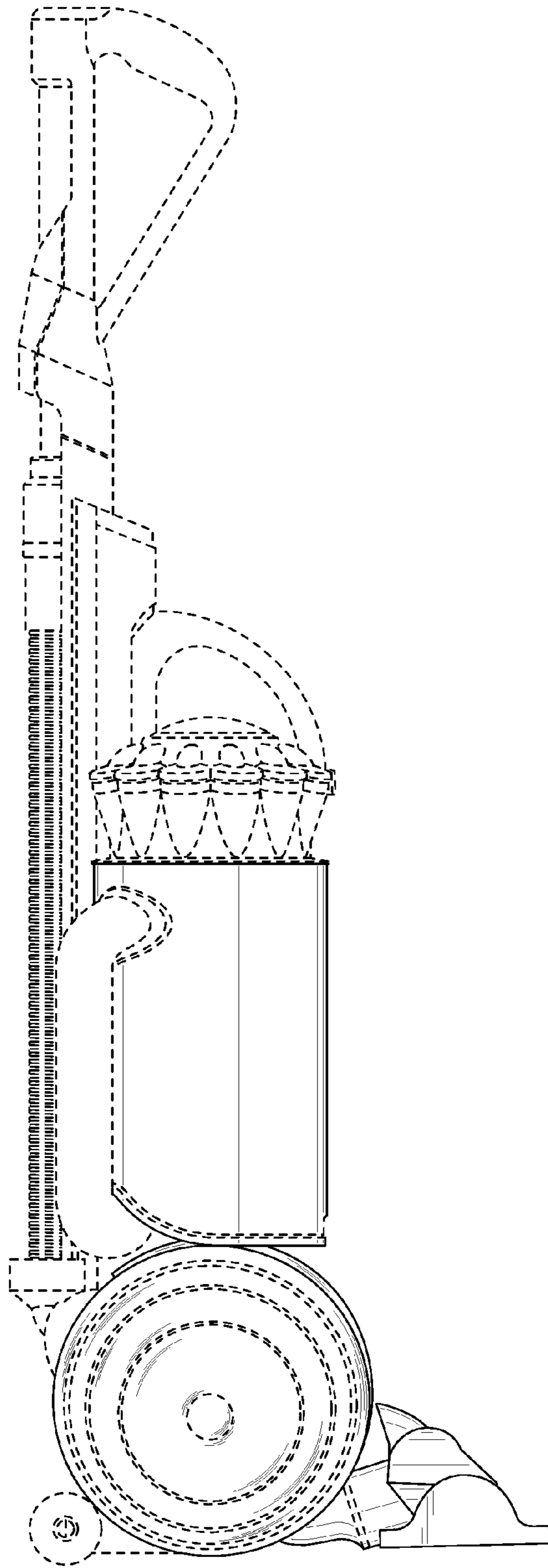


FIG. 3

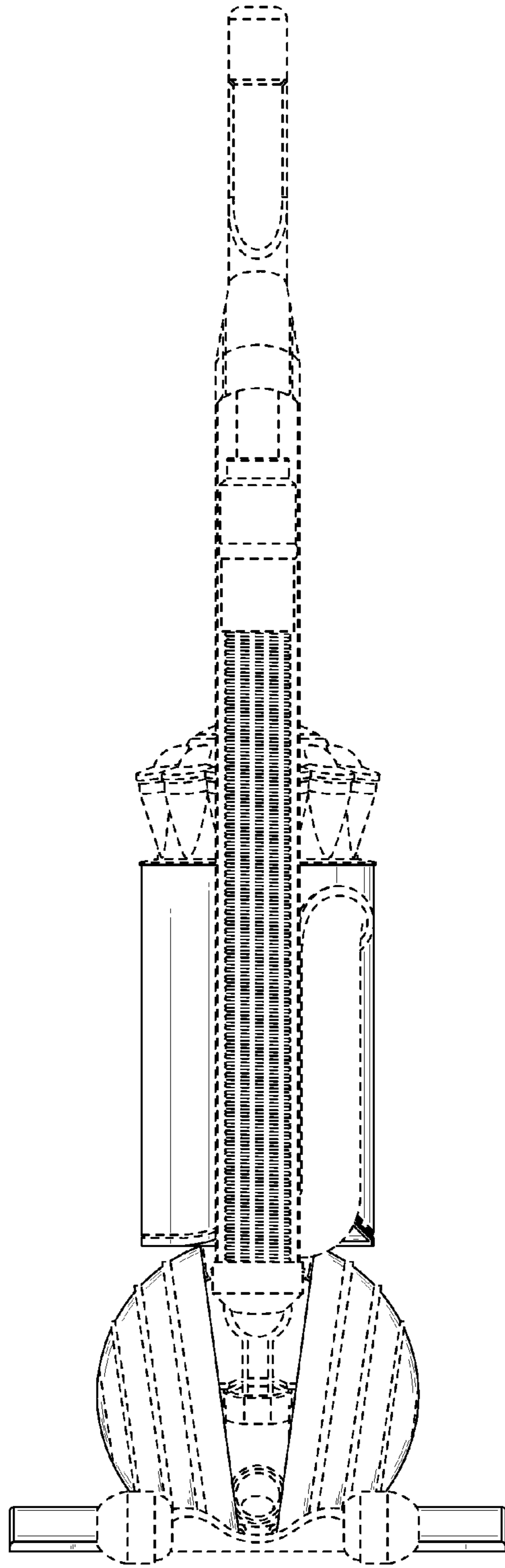


FIG. 4

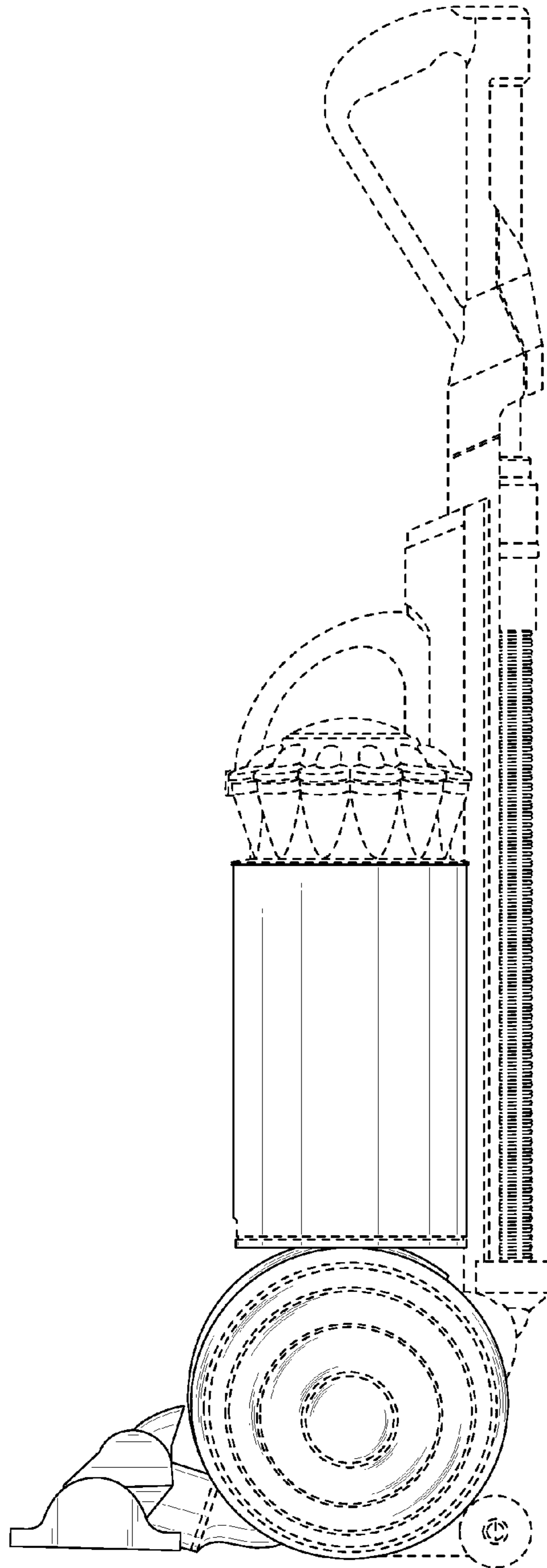


FIG. 5

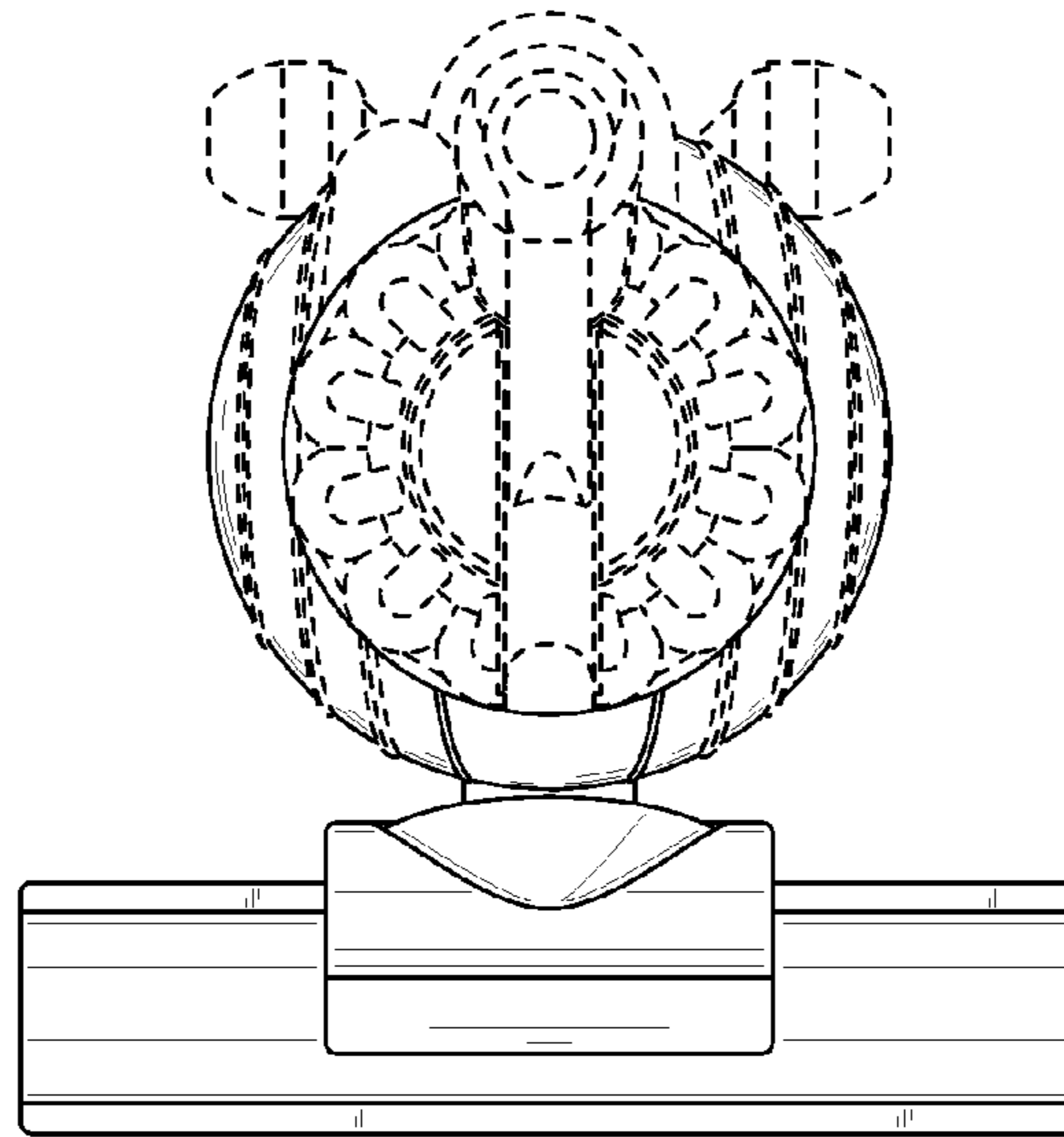


FIG. 6

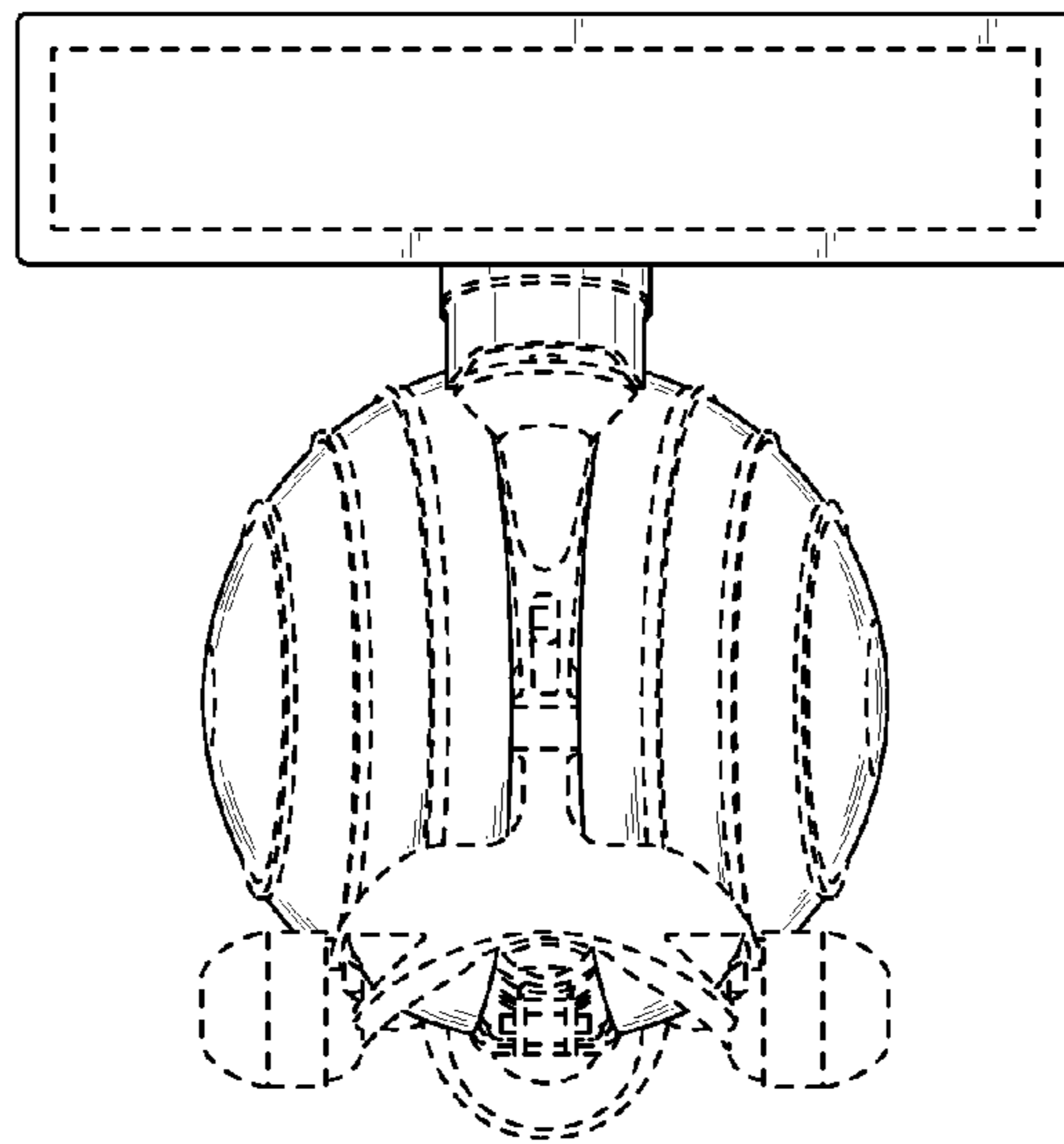


FIG. 7