



US00D675797S

(12) **United States Design Patent**  
**Davis**

(10) **Patent No.:** **US D675,797 S**

(45) **Date of Patent:** **\*\* Feb. 5, 2013**

(54) **CARPET CLEANER**

(76) Inventor: **Glenn R. Davis**, Magnolia, TX (US)

(\*\*) Term: **14 Years**

(21) Appl. No.: **29/384,293**

(22) Filed: **Jan. 28, 2011**

(51) **LOC (9) Cl.** ..... **15-05**

(52) **U.S. Cl.** ..... **D32/22**

(58) **Field of Classification Search** ..... D32/22,  
D32/31, 34; 15/347, 350-353, 410-412,  
15/320, 414, 327.4, 340.1, 340.2, 329, 361-362,  
15/415.1; 55/429, DIG. 3, 337; 301/7  
See application file for complete search history.

(56) **References Cited**

**U.S. PATENT DOCUMENTS**

D332,330	S	*	1/1993	Gurstein	.....	D32/22
D343,706	S	*	1/1994	Gurstein	.....	D32/22
D344,374	S	*	2/1994	Wulff	.....	D32/22
D345,034	S	*	3/1994	Fitzwater	.....	D32/22
D364,947	S	*	12/1995	Kent et al.	.....	D32/22
D370,320	S	*	5/1996	Hachtmann	.....	D32/22
D377,855	S	*	2/1997	Labarbera	.....	D32/22

D381,779	S	*	7/1997	Pritchett et al.	.....	D32/22
D394,526	S	*	5/1998	Strandell	.....	D32/22
D404,859	S	*	1/1999	Dziersk et al.	.....	D32/22
D405,567	S	*	2/1999	Kent et al.	.....	D32/22
D477,444	S	*	7/2003	Bisson	.....	D32/22
D482,828	S	*	11/2003	Storer et al.	.....	D32/22
D633,667	S	*	3/2011	Santiago	.....	D32/22
2010/0139032	A1	*	6/2010	Tomasiak	.....	15/347
2011/0247170	A1	*	10/2011	Jones	.....	15/347

\* cited by examiner

*Primary Examiner* — Ruth McInroy

(74) *Attorney, Agent, or Firm* — Sinorica, LLC

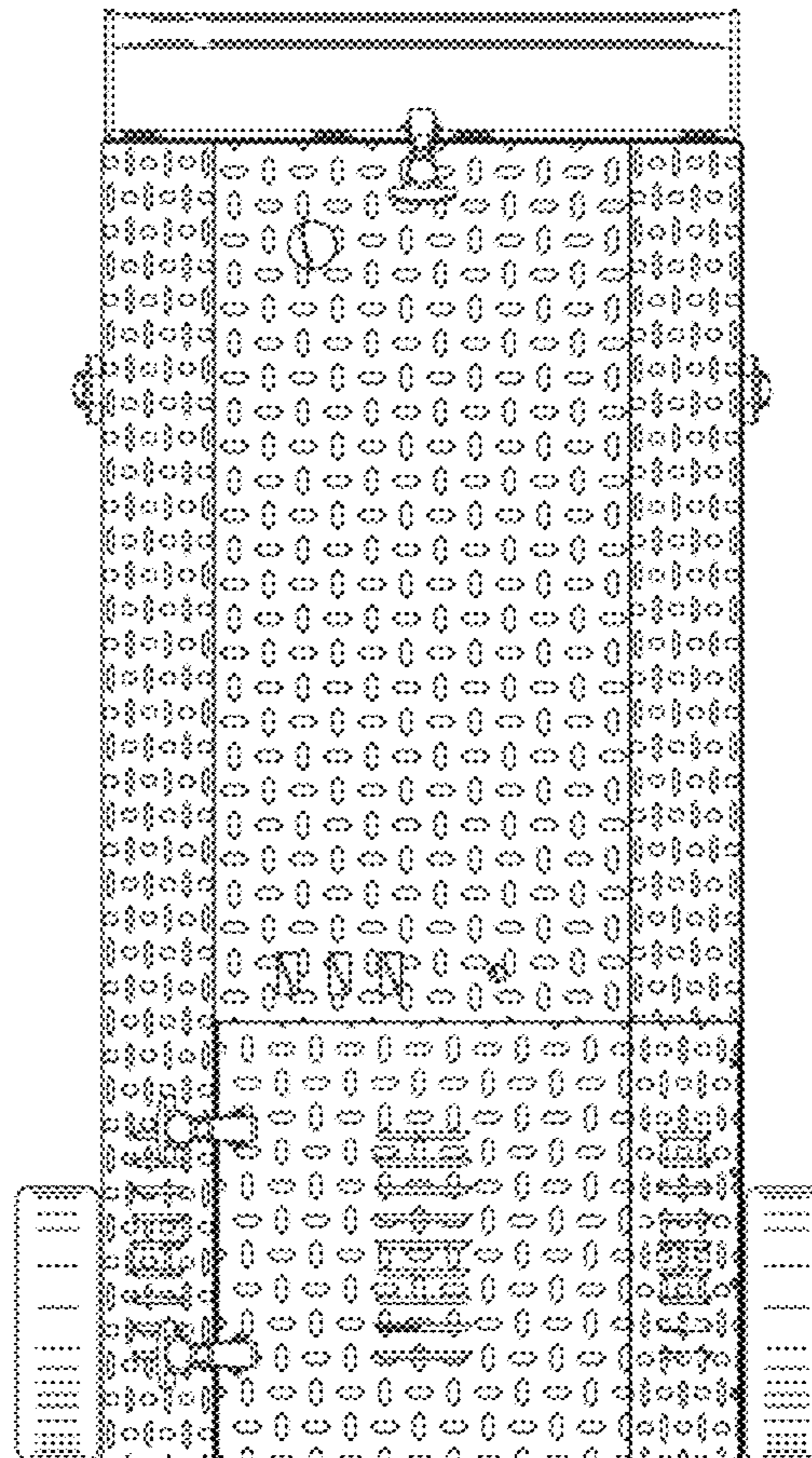
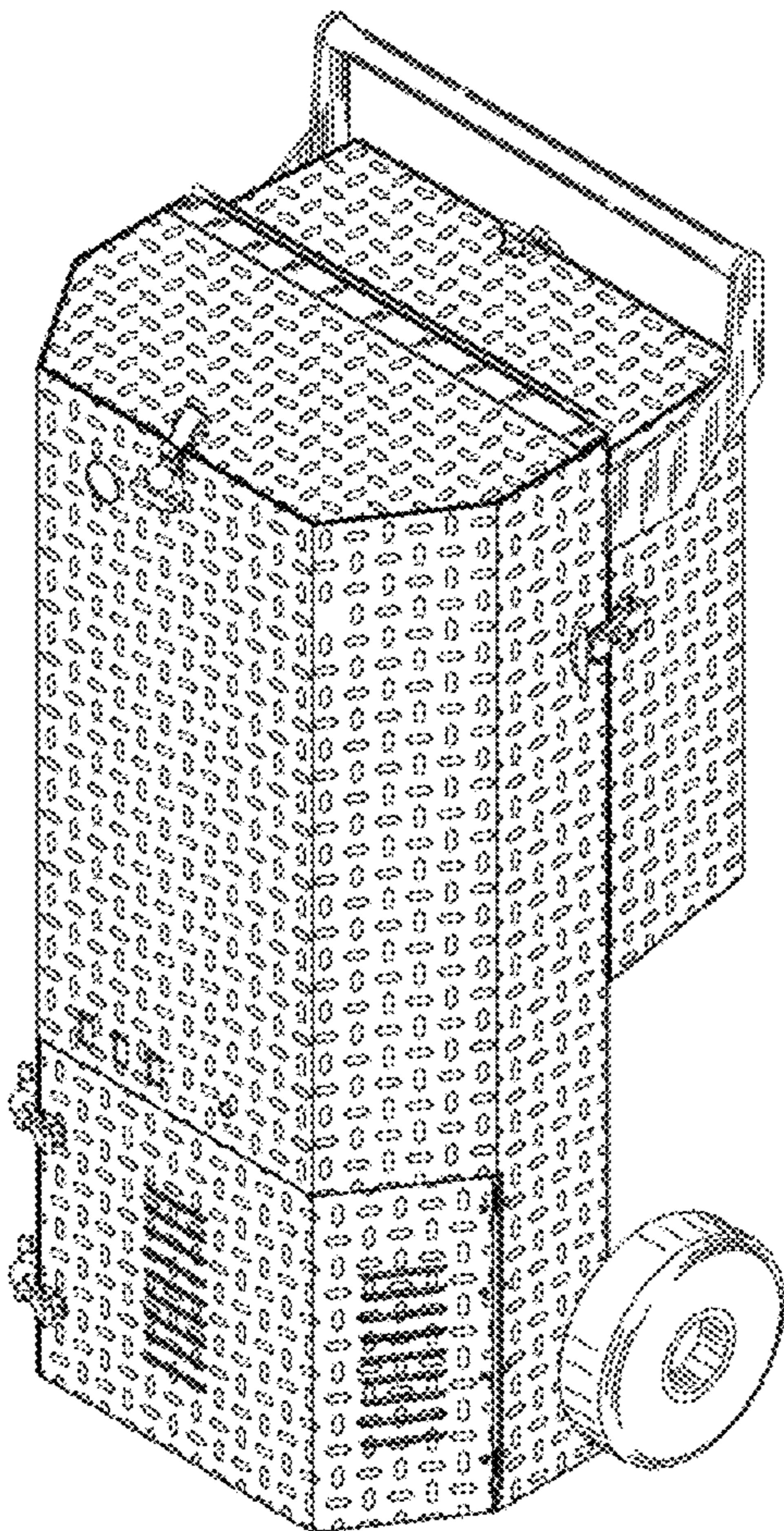
(57) **CLAIM**

I claim the ornamental design for a carpet cleaner, as shown and described.

**DESCRIPTION**

FIG. 1 is a front perspective view of a carpet cleaner;  
FIG. 2 is a front elevational view thereof;  
FIG. 3 is a rear elevational view thereof;  
FIG. 4 is a right side elevational view thereof;  
FIG. 5 is a left side elevational view thereof; and,  
FIG. 6 is a top plan view thereof.

**1 Claim, 6 Drawing Sheets**



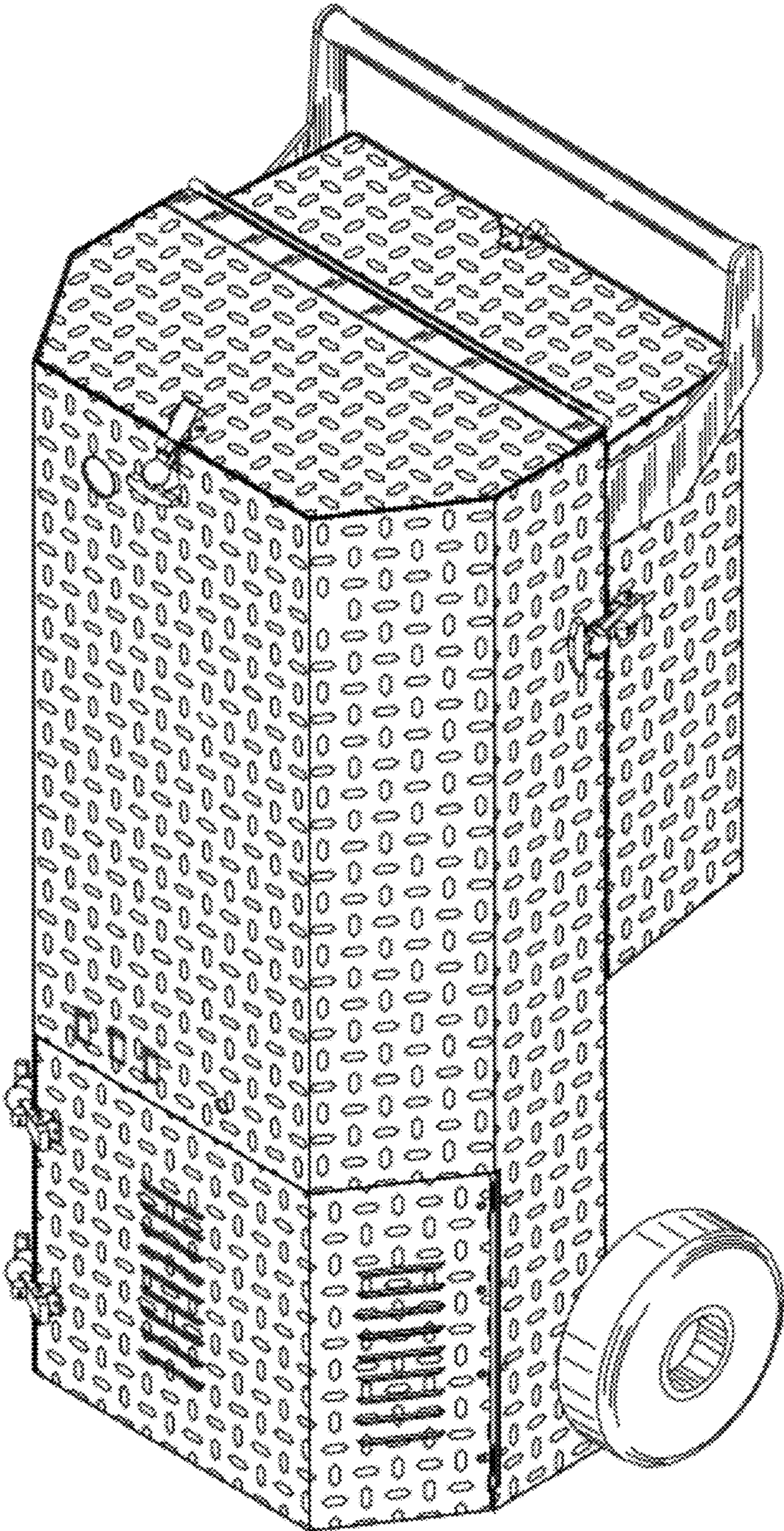


FIG. 1

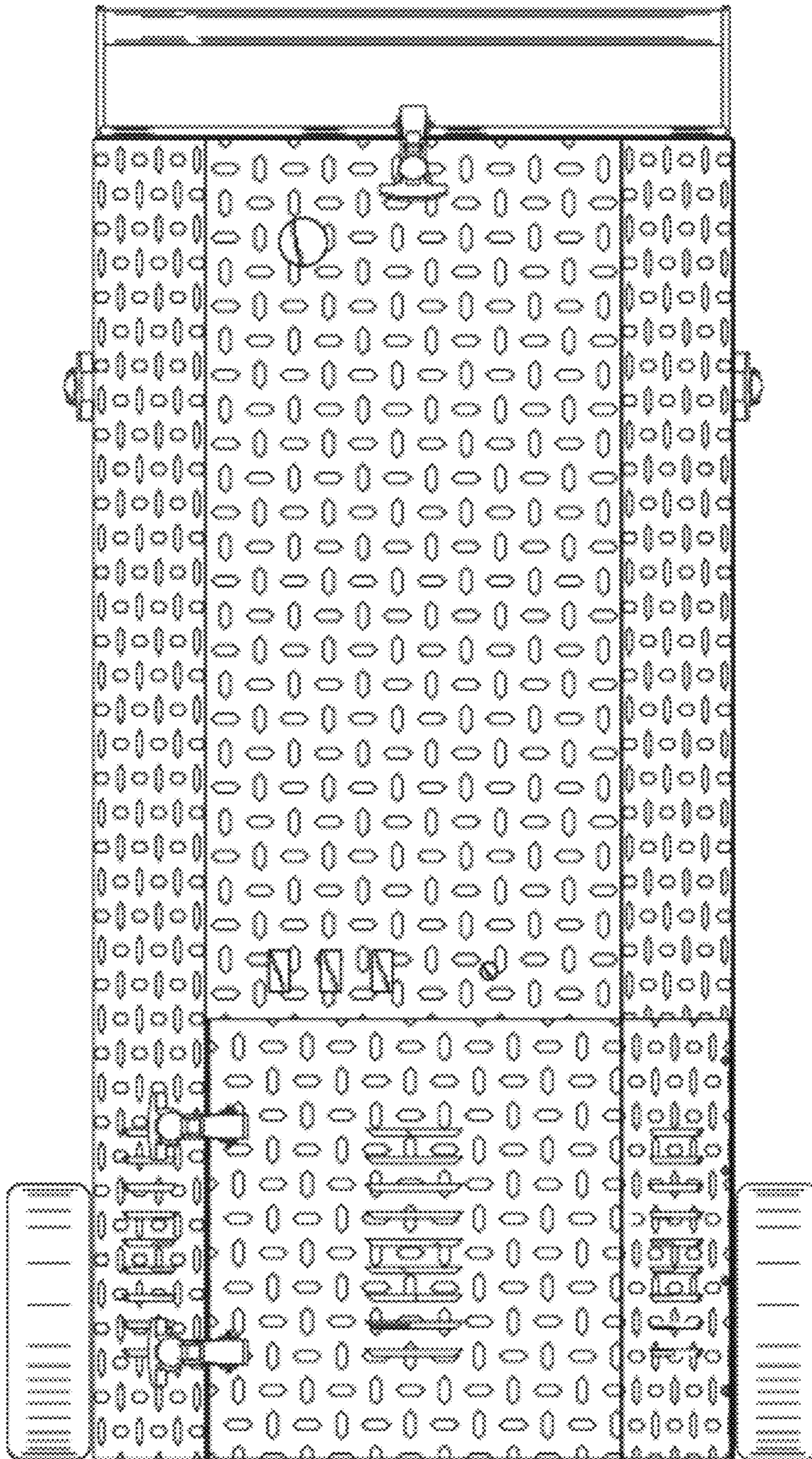


FIG. 2

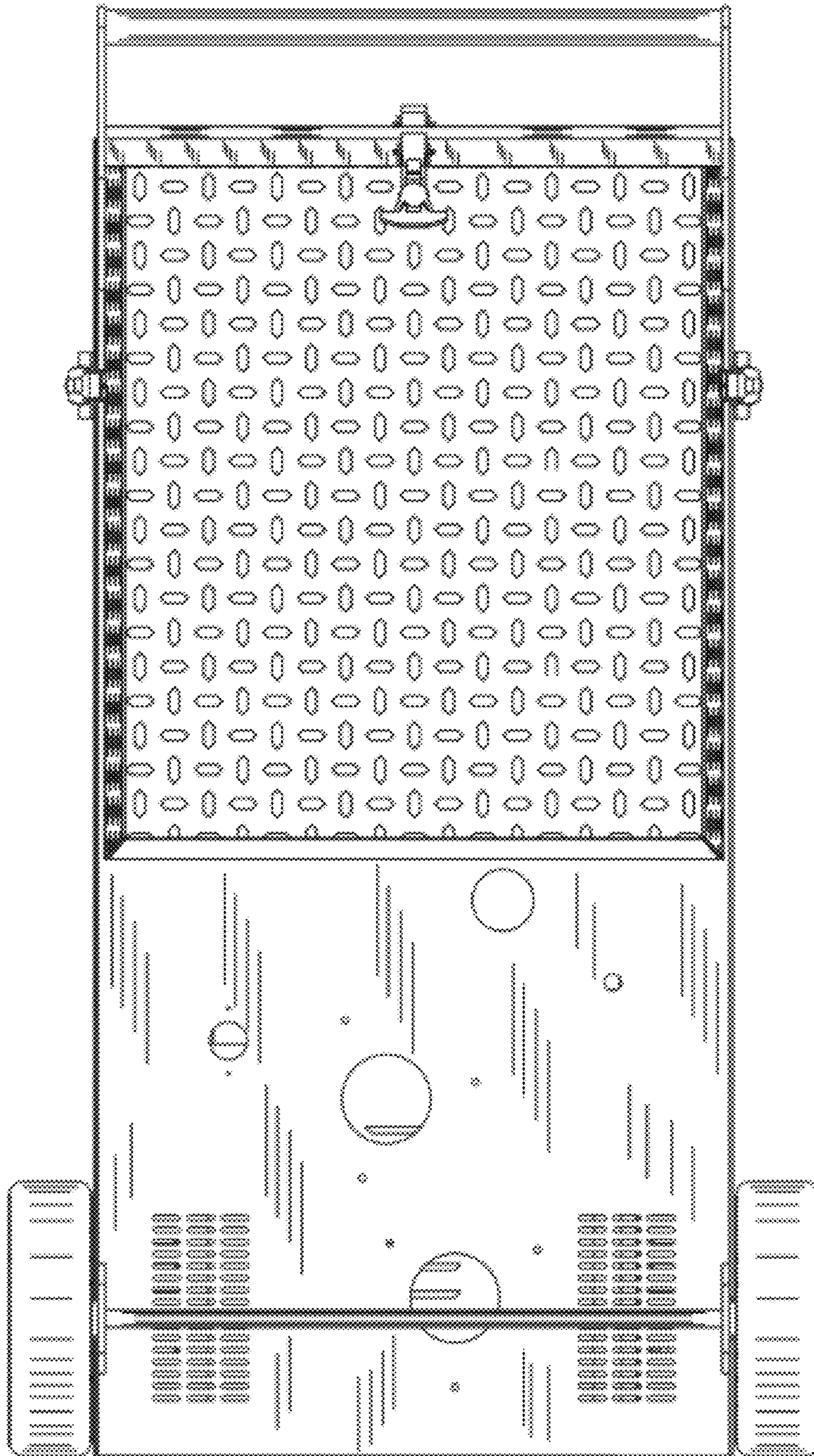


FIG. 3

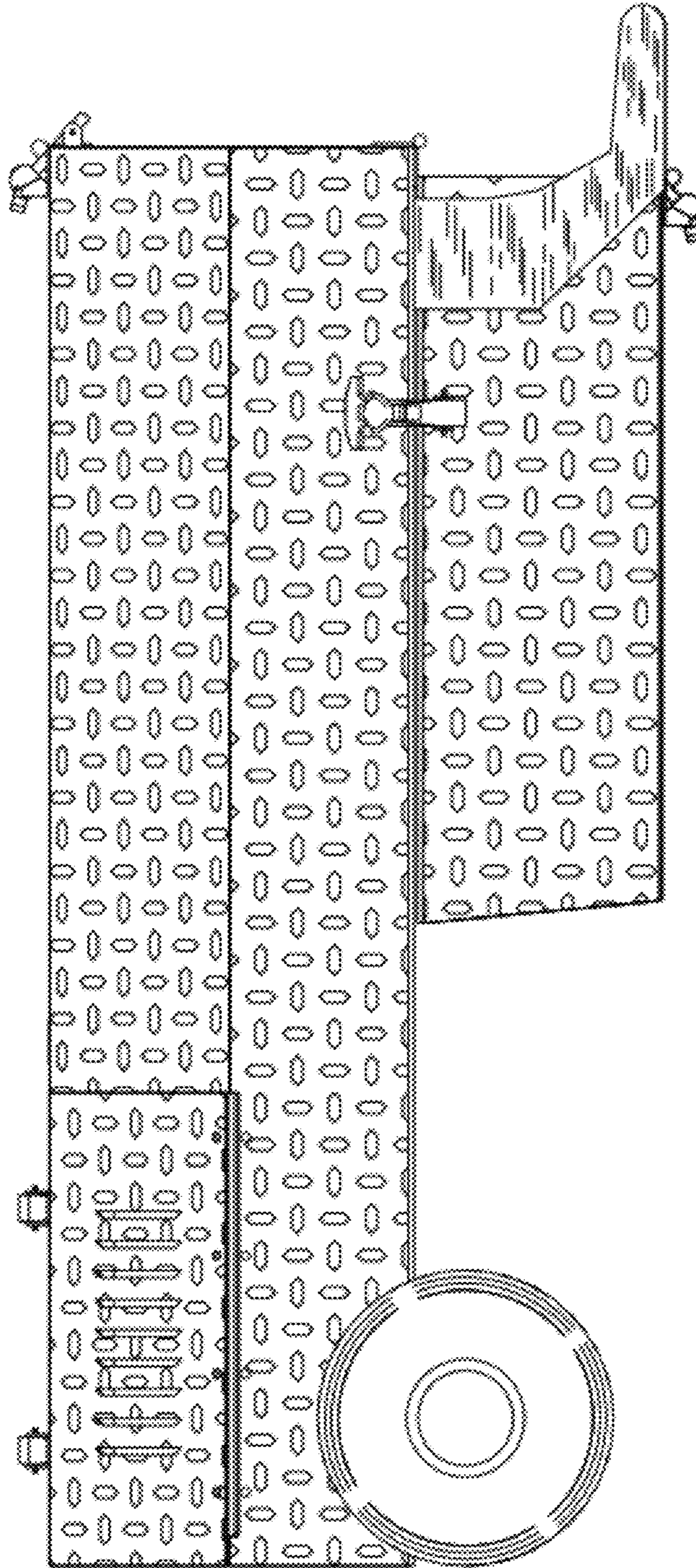


FIG. 4

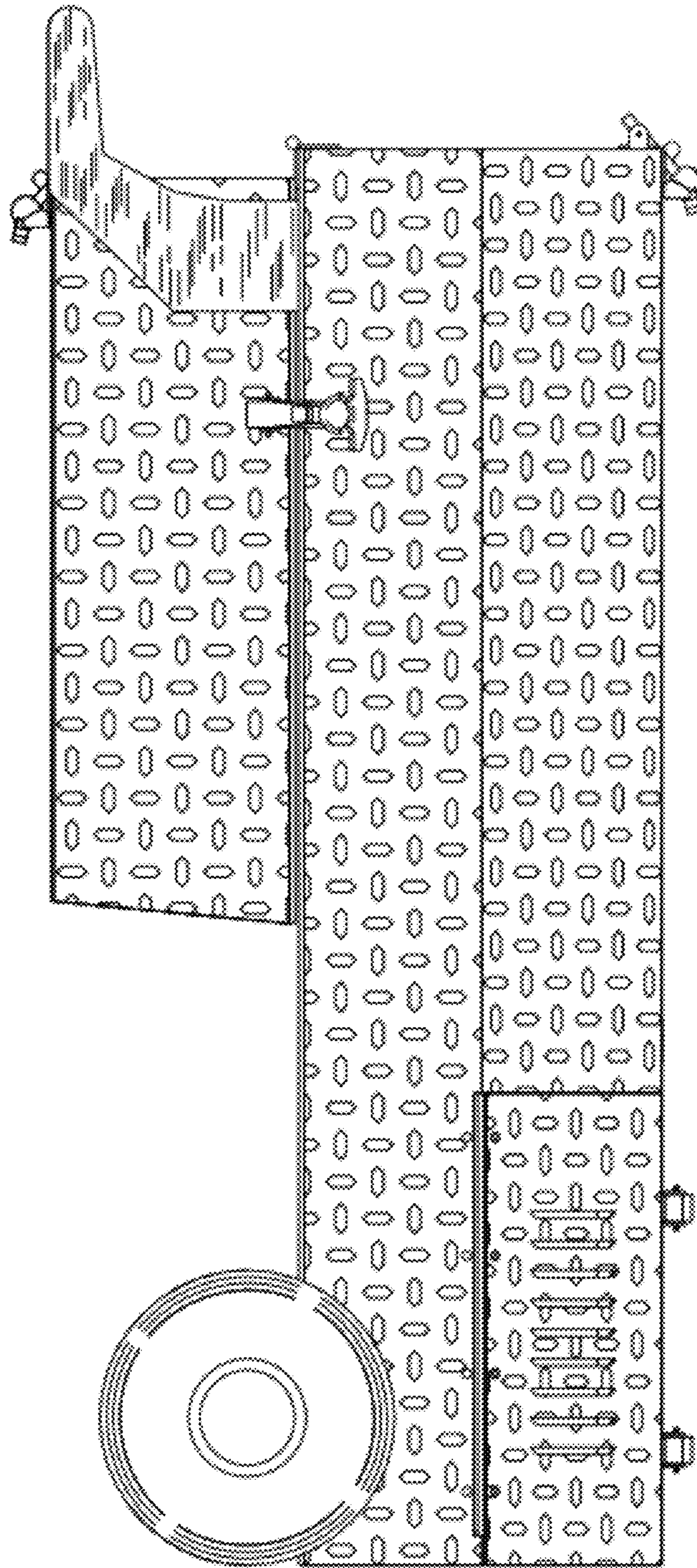


FIG. 5

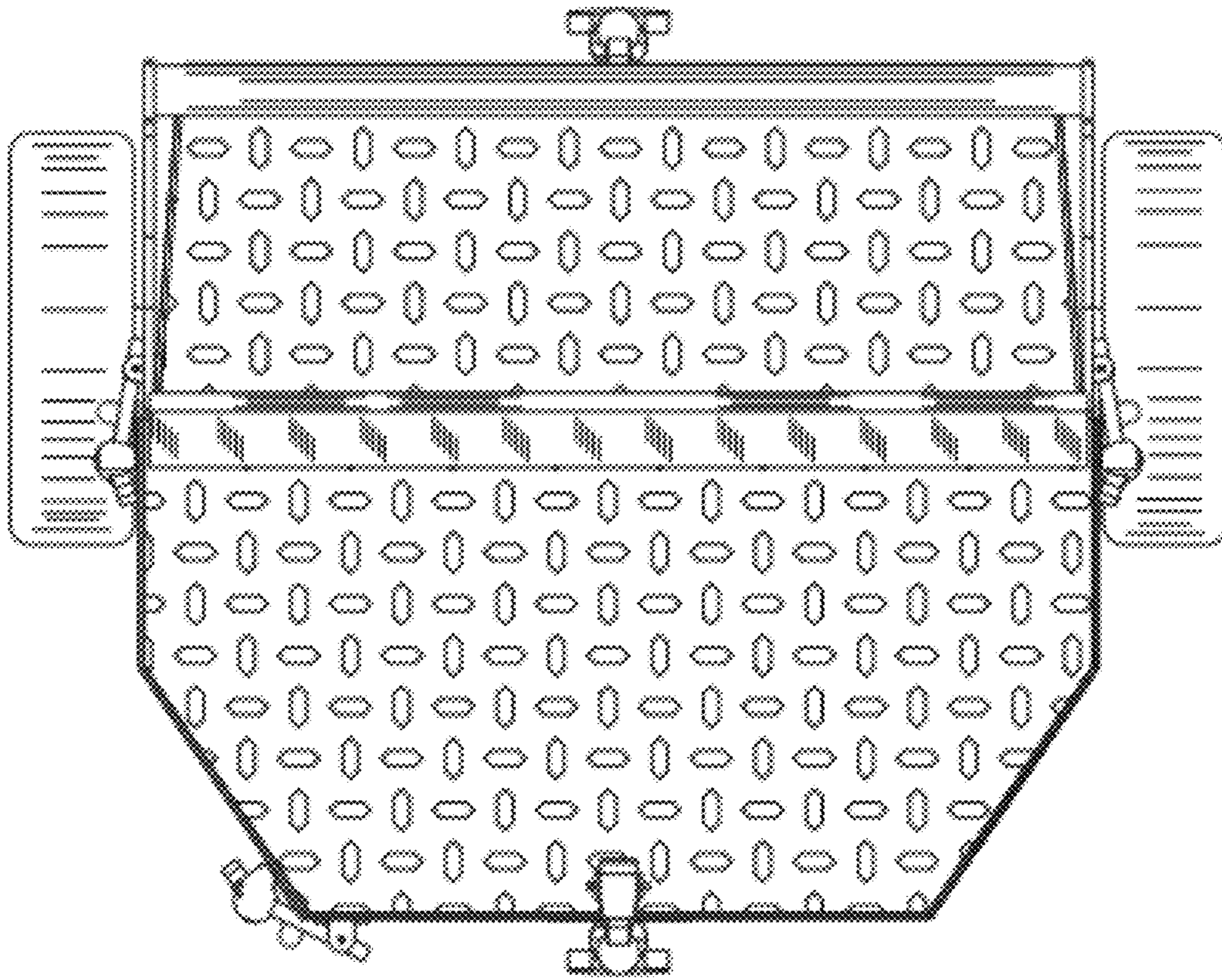


FIG. 6