

US00D675795S

(12) **United States Design Patent**  
**Jin**

(10) **Patent No.:** **US D675,795 S**  
(45) **Date of Patent:** **\*\* Feb. 5, 2013**

(54) **VACUUM CLEANER**

(75) Inventor: **Zheyi Jin**, Stuttgart (DE)

(73) Assignee: **Alfred Kaercher GmbH & Co. KG**,  
Winnenden (DE)

(\*\*) Term: **14 Years**

(21) Appl. No.: **29/395,016**

(22) Filed: **Nov. 7, 2011**

(30) **Foreign Application Priority Data**

May 11, 2011 (WO) ..... DM/076 051

(51) **LOC (9) Cl.** ..... **15-05**

(52) **U.S. Cl.** ..... **D32/21**

(58) **Field of Classification Search** ..... D32/18,  
D32/21, 23-24, 31; 15/319-321, 353, 347,  
15/327.1-327.2, 327.4, 327.6-327.7, 329,  
15/340.2; 55/DIG. 3, 375

See application file for complete search history.

(56) **References Cited**

**U.S. PATENT DOCUMENTS**

D388,565 S *	12/1997	Pietrobon	.....	D32/23
D560,864 S *	1/2008	Luke	.....	D32/23
D581,608 S *	11/2008	Dammkoehler et al.	.....	D32/21
D655,873 S *	3/2012	Jin	.....	D32/21
D660,529 S *	5/2012	Dammkoehler et al.	.....	D32/21
D667,597 S *	9/2012	Dammkoehler	.....	D32/21

**OTHER PUBLICATIONS**

Extract from catalog of Alfred Kaercher GmbH & Co. KG, "Programme 2007", cover, pp. 61, 63, 153, 155, 159-166 and last page (Jan. 2007).

Extract from catalog of Alfred Kaercher GmbH & Co. KG, "Programme 2008", cover, pp. 65, 67, 159, 167-174 and last page (Dec. 2007).

Extract from catalog of Alfred Kaercher GmbH & Co. KG, "Programme 2009 Professional Commercial", cover, pp. 85-87, 94-101 and last page (Mar. 2009).

Extract from catalog of Alfred Kaercher GmbH & Co. KG, "Programme 2010 Home & Garden", cover, pp. 80-85, 89 and last page (Nov. 2009).

Extract from catalog of Alfred Kaercher GmbH & Co. KG, "Programme 2010 Professional", cover, pp. 94-105 and last page (Nov. 2009).

\* cited by examiner

*Primary Examiner* — Ruth McInroy

(74) *Attorney, Agent, or Firm* — Lipsitz & McAllister, LLC

(57) **CLAIM**

The ornamental design for a vacuum cleaner, as shown and described.

**DESCRIPTION**

FIG. 1 is a top, front and left side perspective view of a vacuum cleaner showing my new design;

FIG. 2 is a top, front and right side perspective view thereof;

FIG. 3 is a front elevational view thereof;

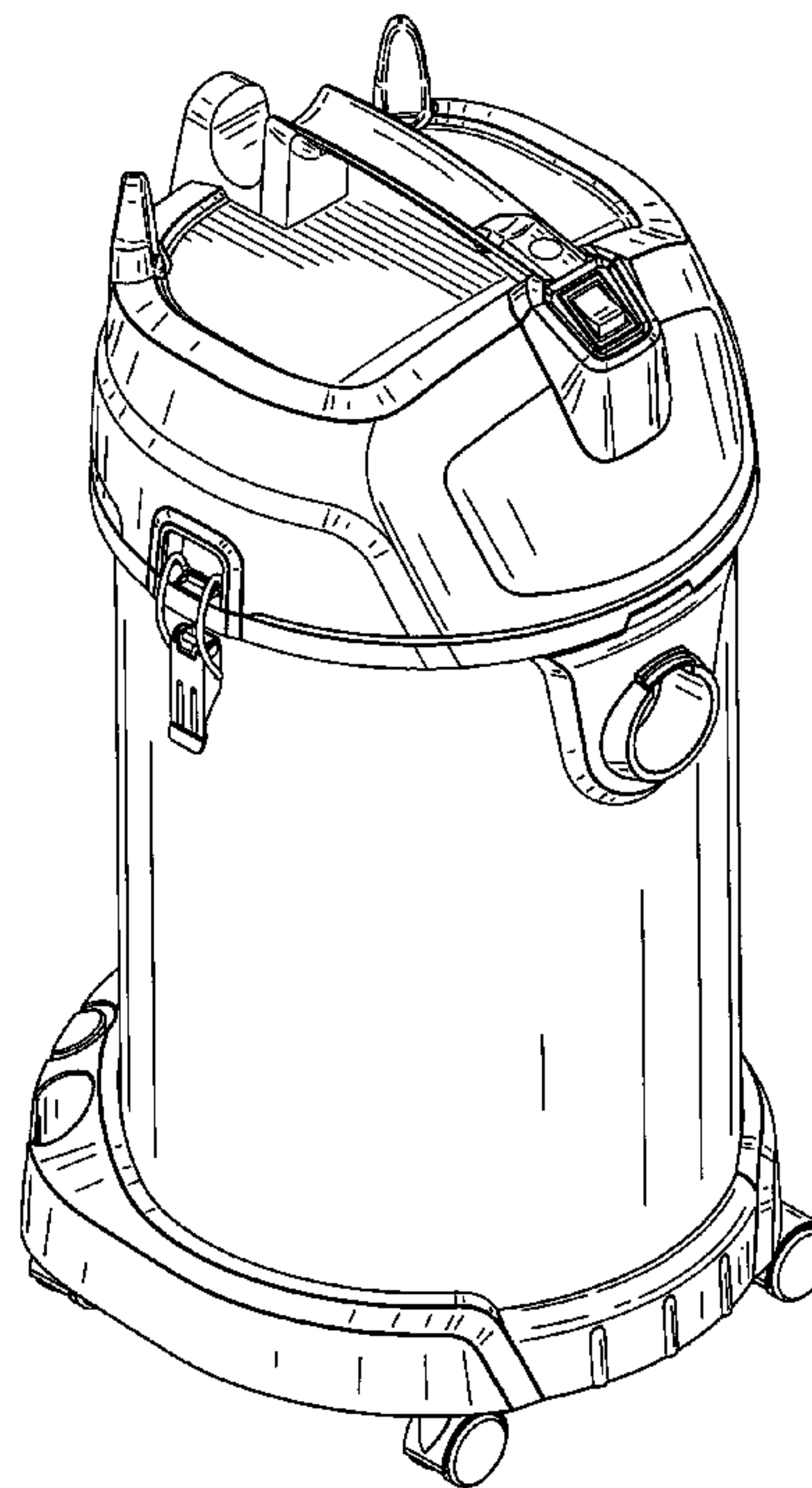
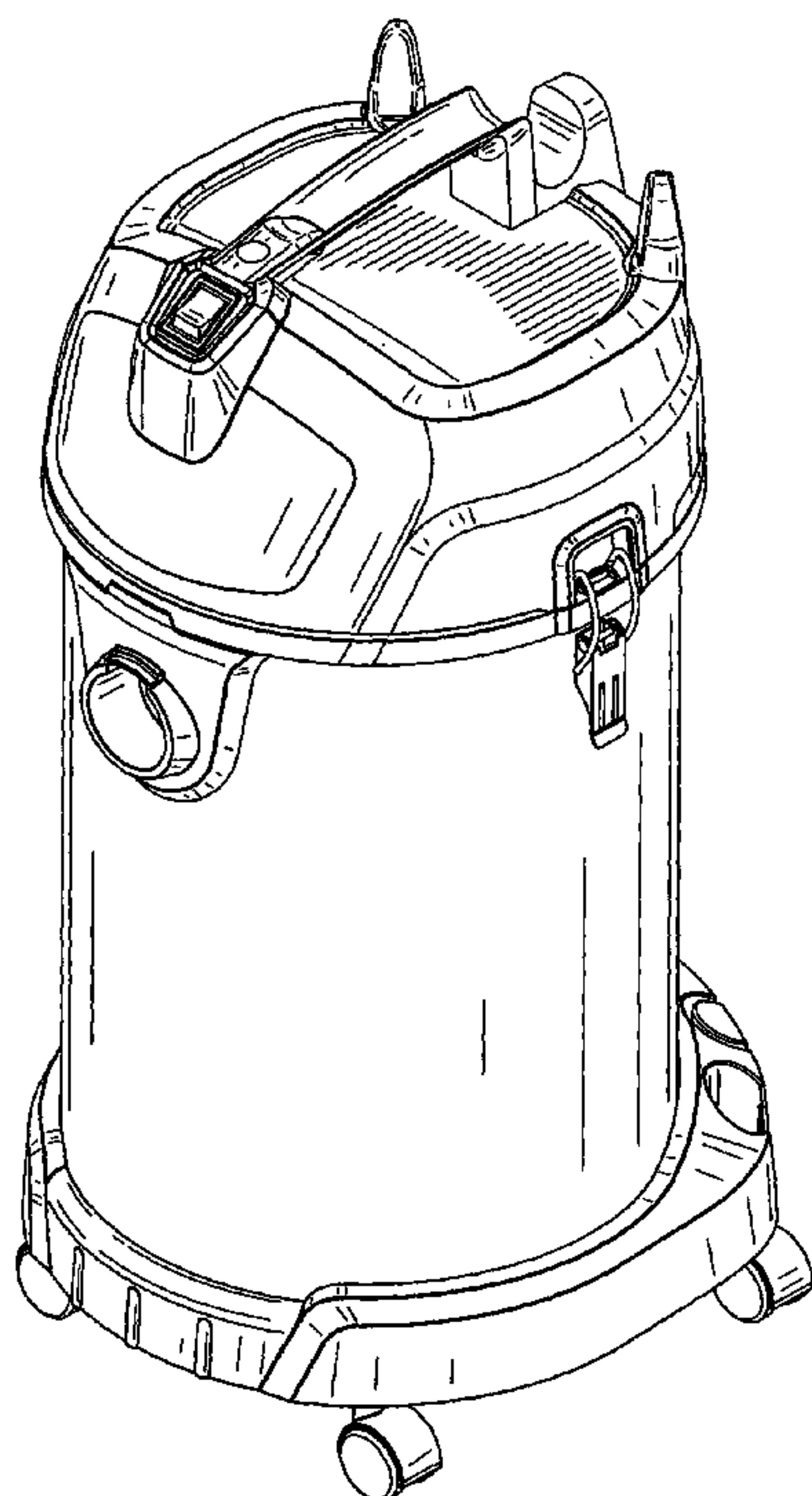
FIG. 4 is a left side elevational view thereof;

FIG. 5 is a rear elevational view thereof;

FIG. 6 is a right side elevational view thereof; and,

FIG. 7 is a top plan view thereof.

**1 Claim, 7 Drawing Sheets**



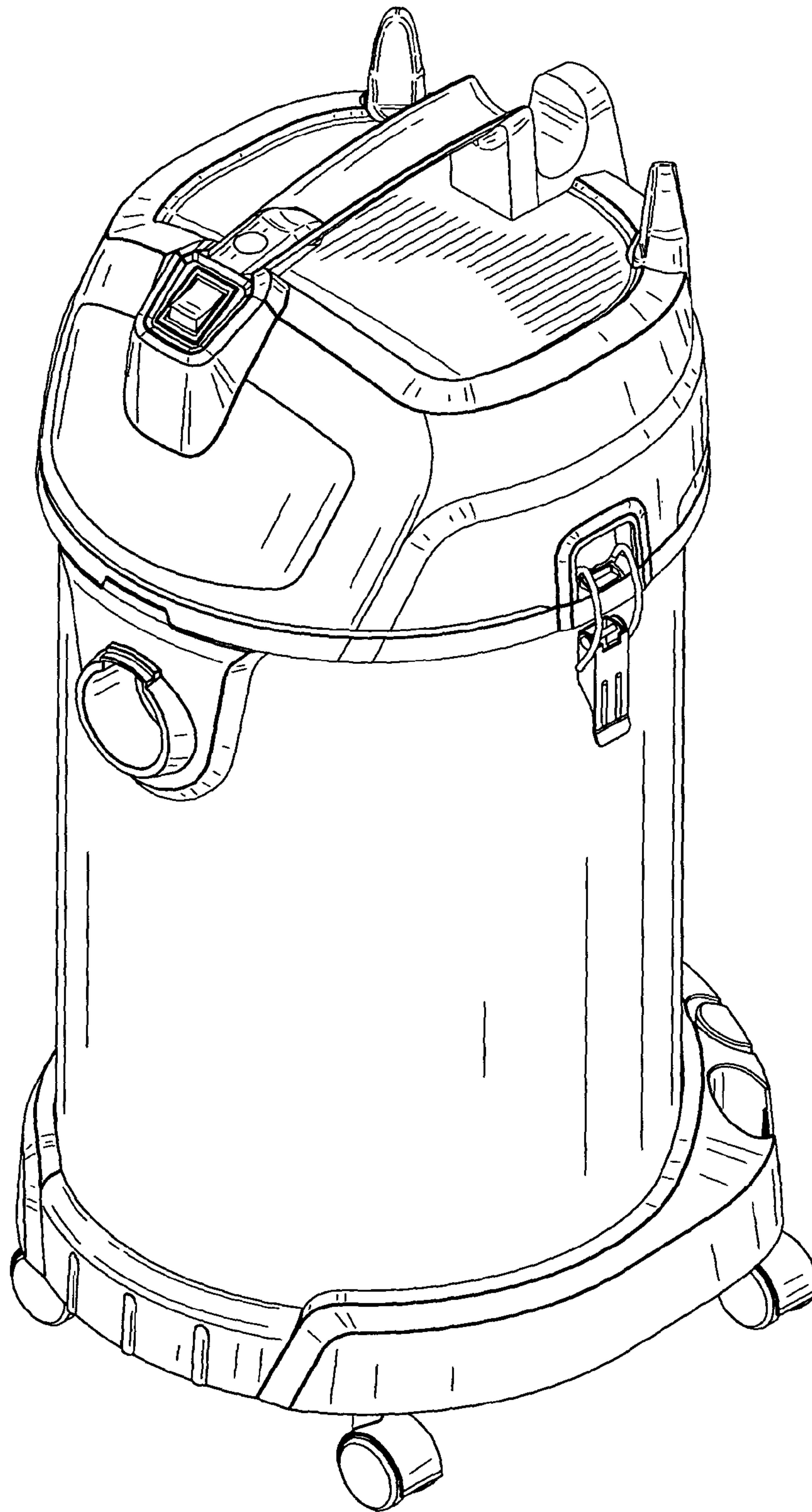


FIG. 1

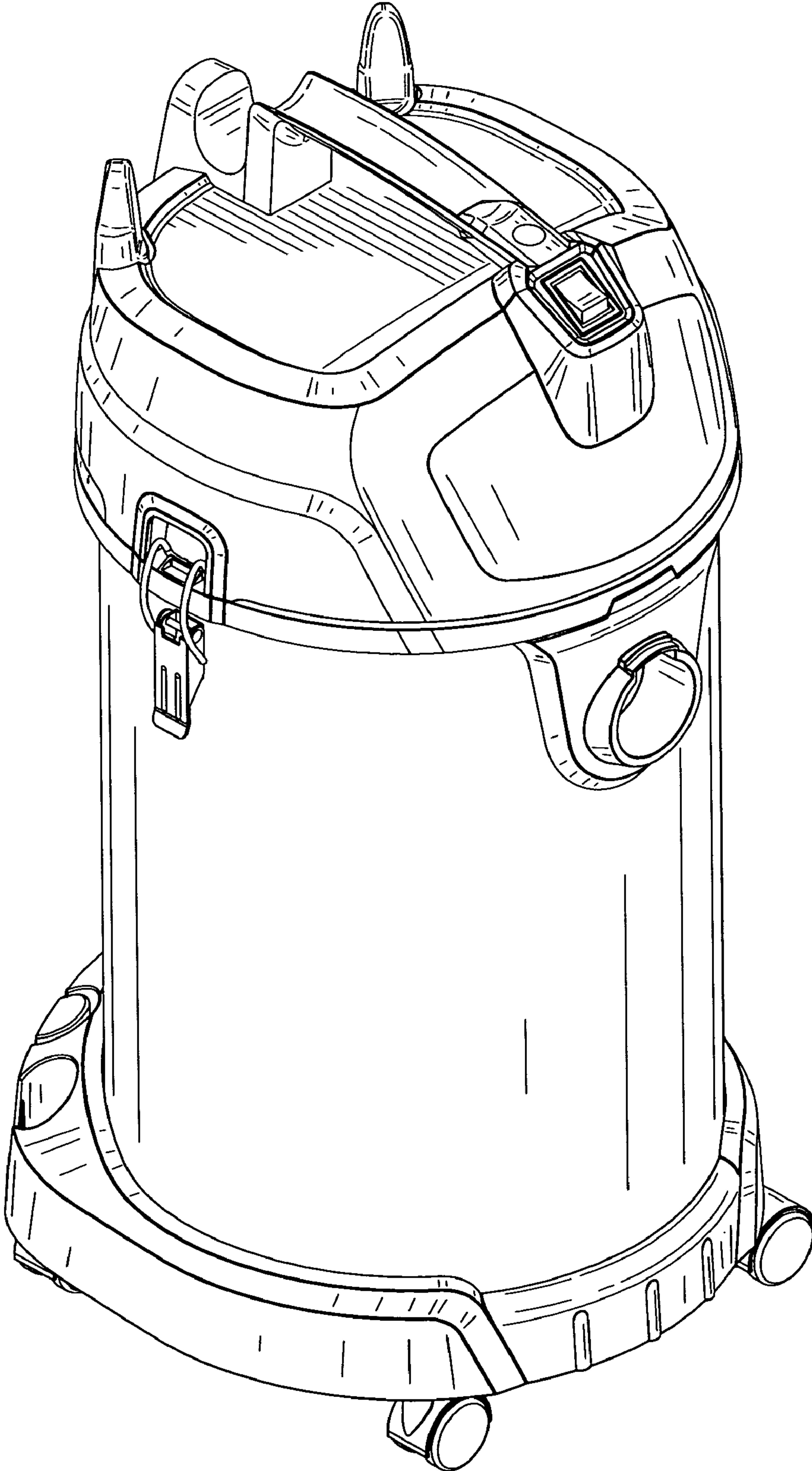
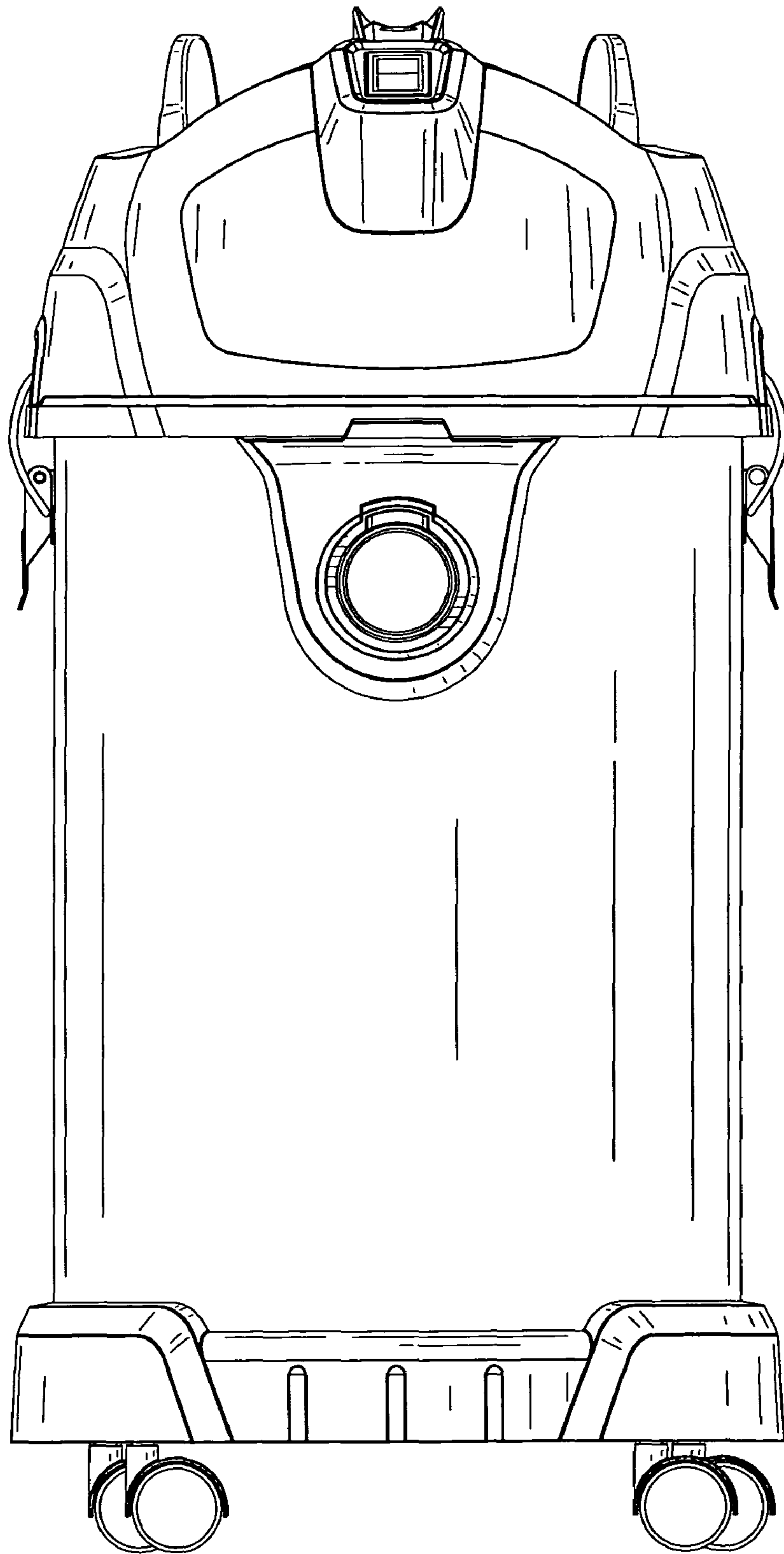


FIG. 2





**FIG. 3**

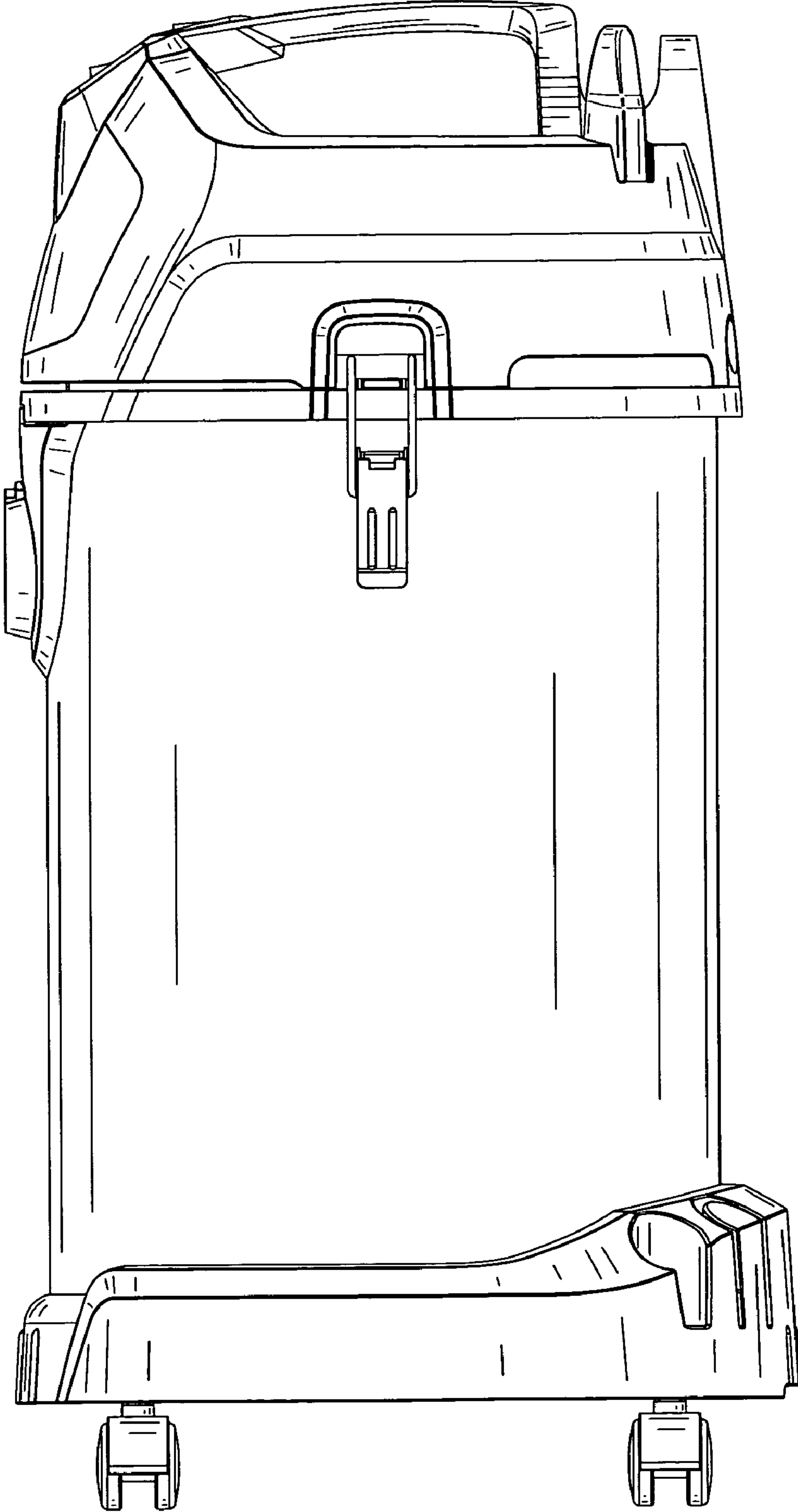


FIG. 4

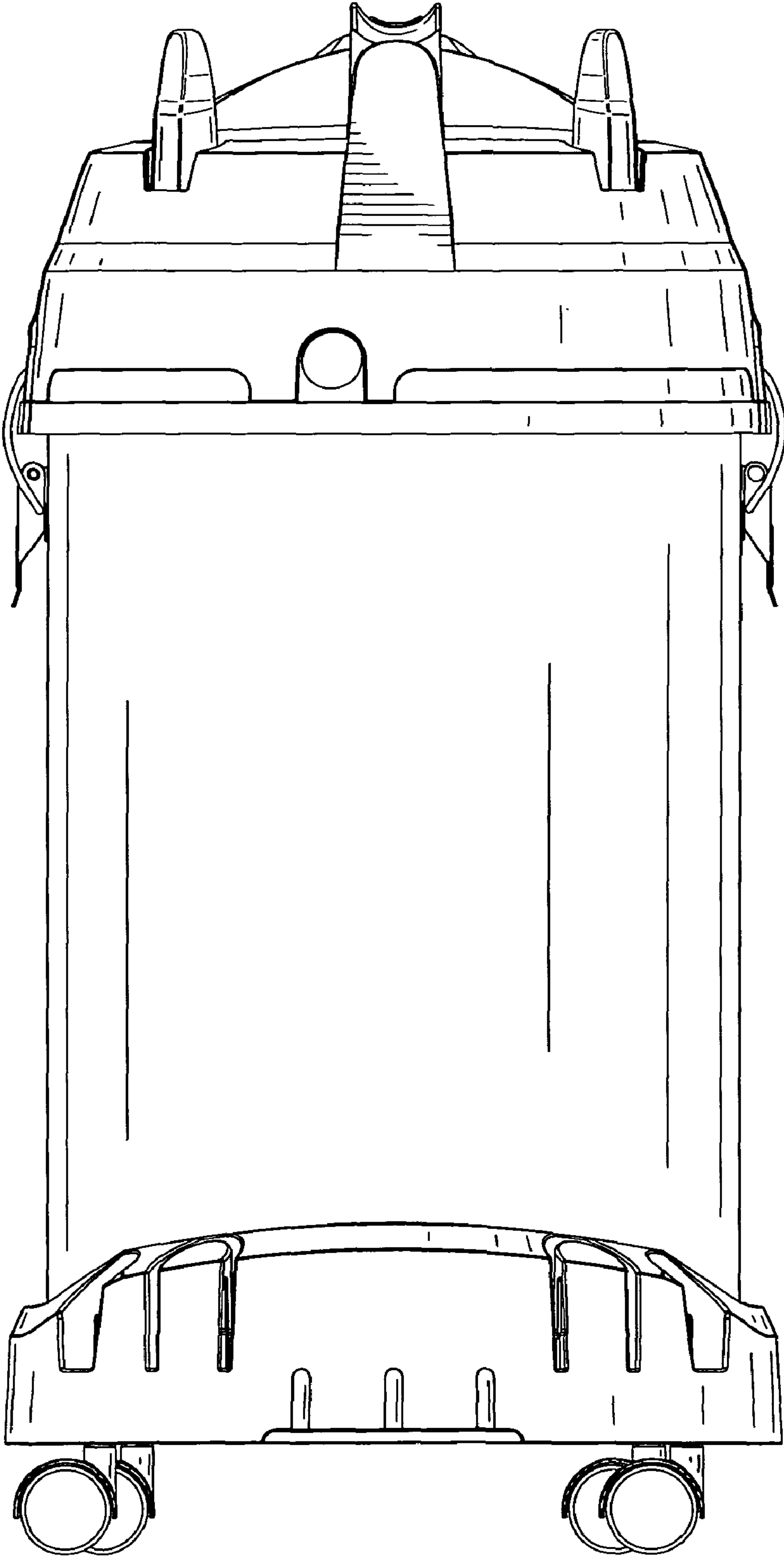


FIG. 5

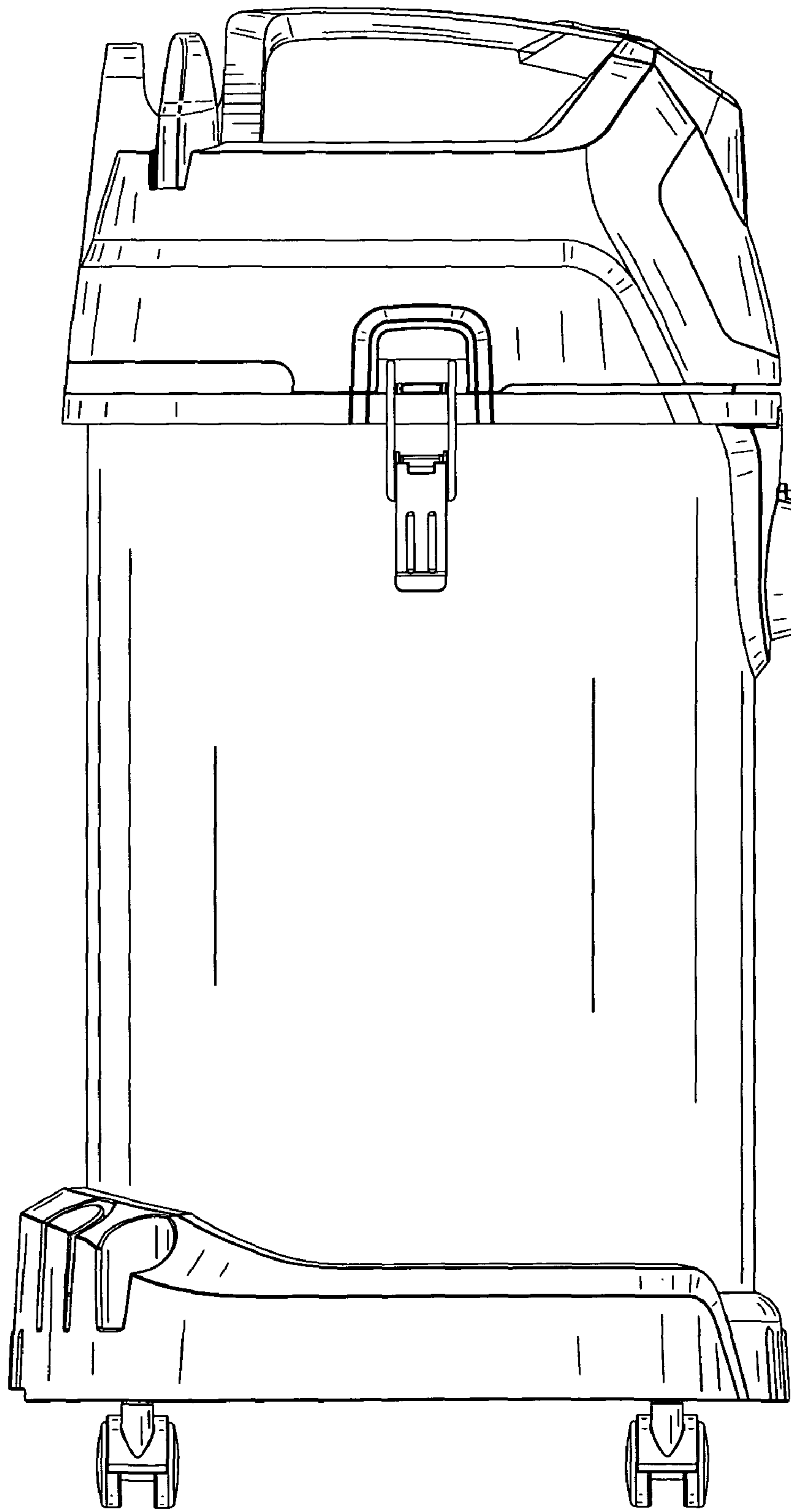
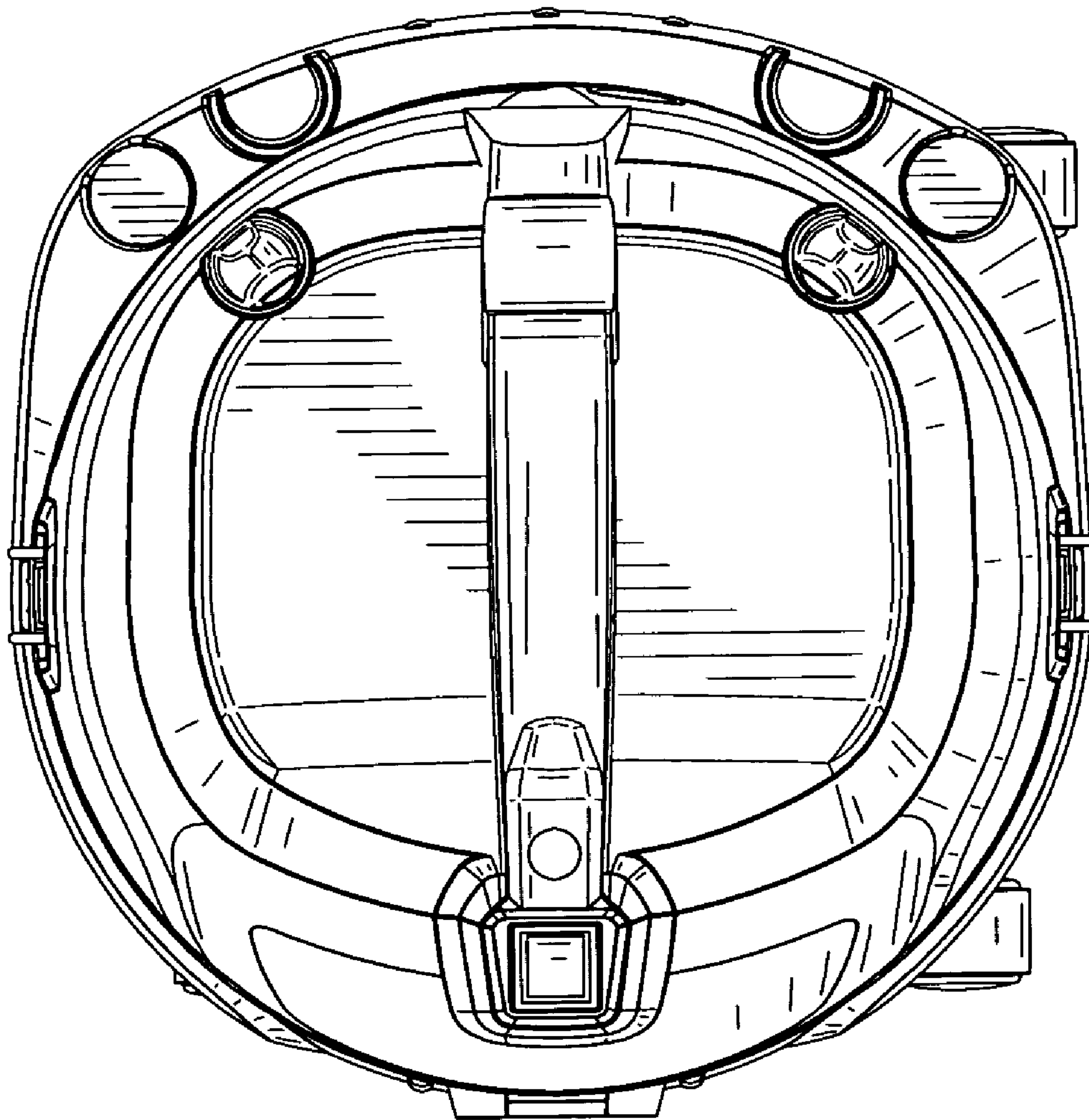


FIG. 6



**FIG. 7**